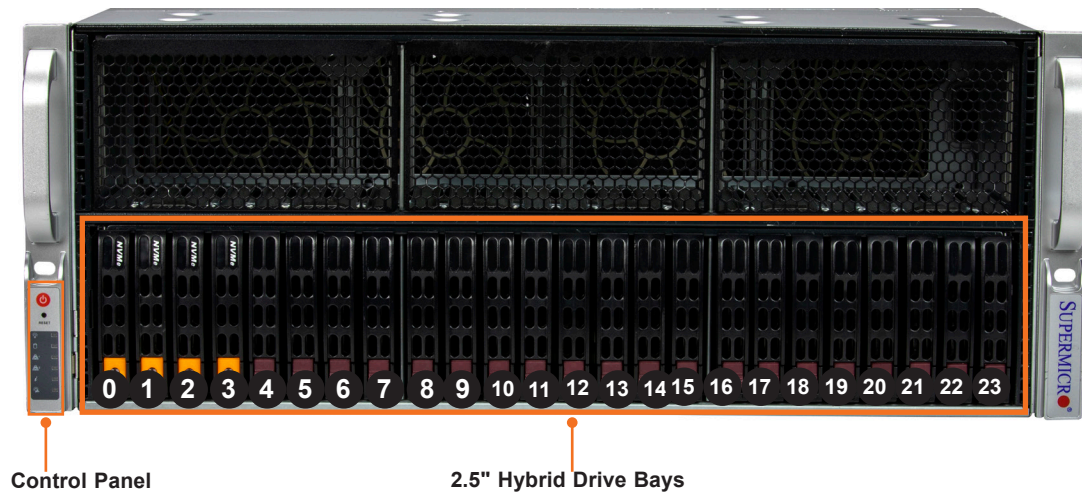
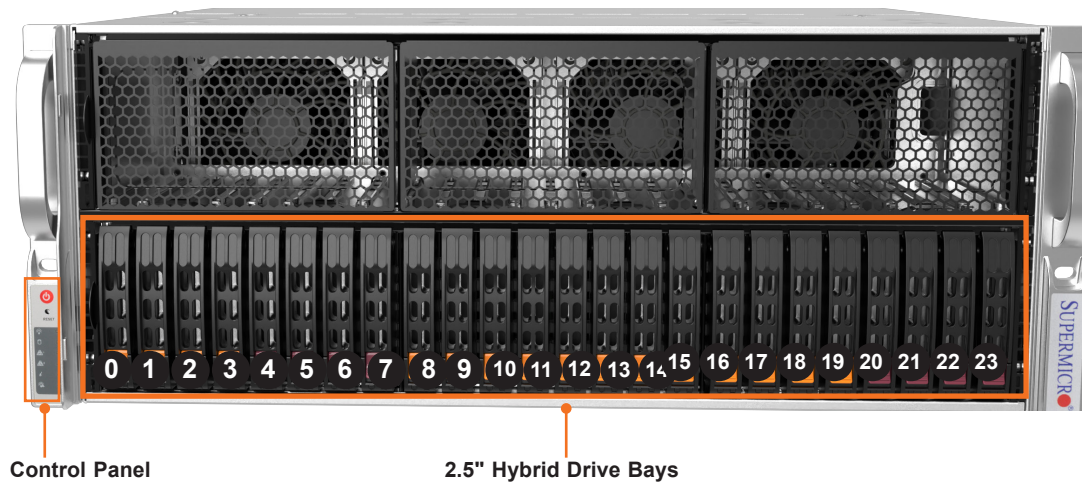


SUPERMICR[®] GPU A+ Server AS -4125GS-TNRT/TNRT1/TNRT2 Quick Reference Guide

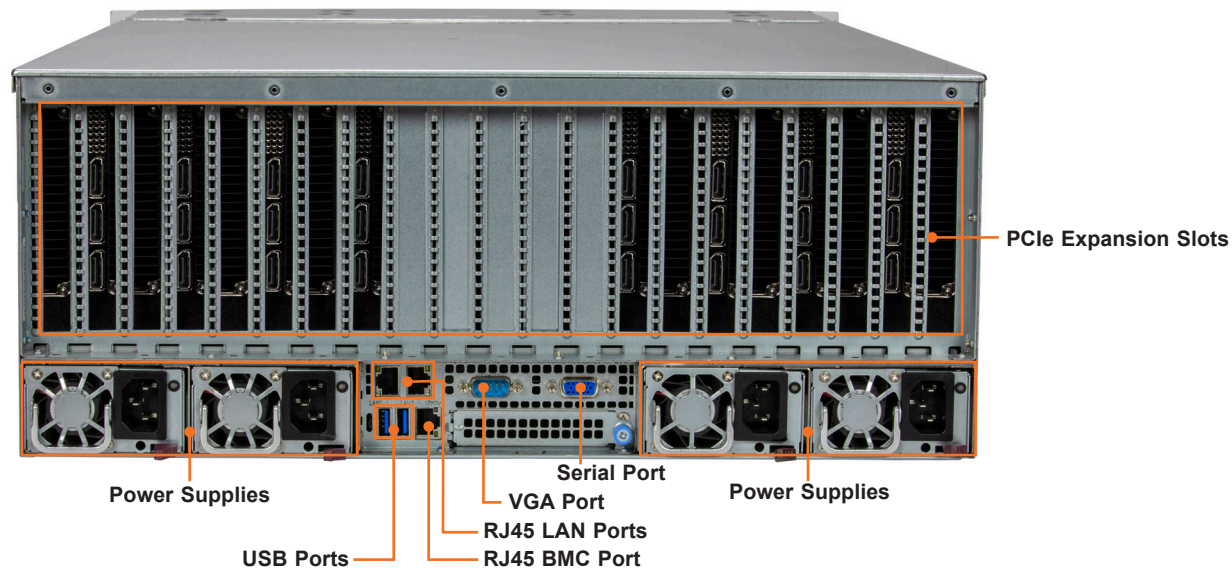
Front Features (AS -4125GS-TNRT)



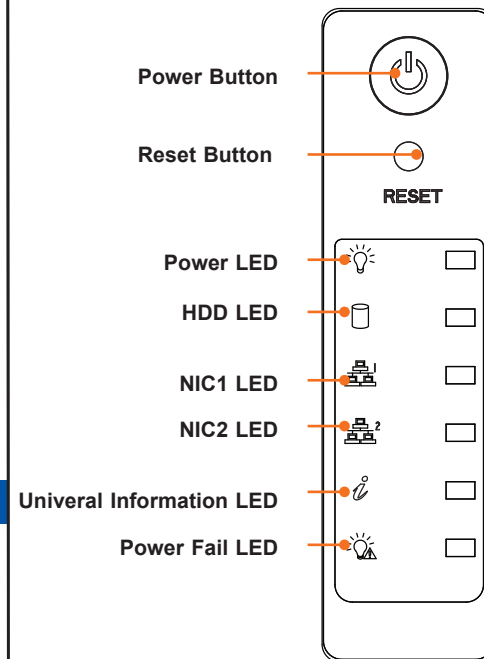
Front Features (AS -4125GS-TNRT1 and AS -4125GS-TNRT2)



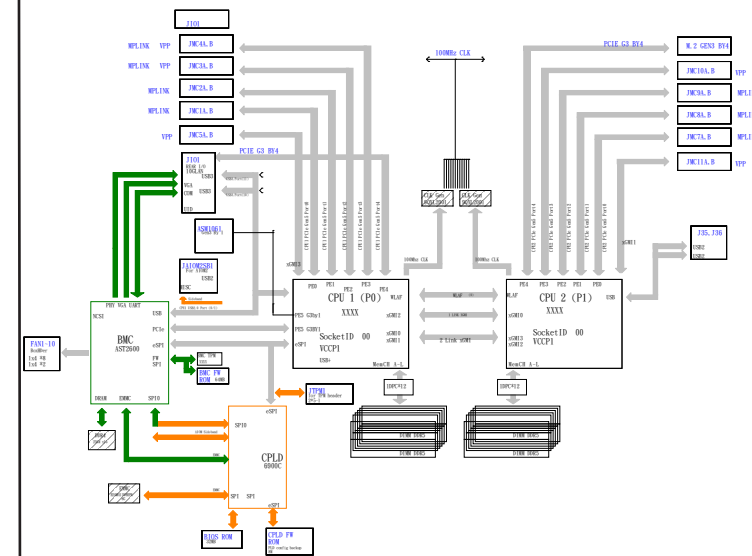
Rear Features



Control Panel



Motherboard Block Diagram



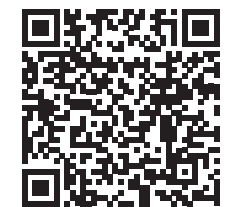
BMC Password

Each system comes with a unique default password for the ADMIN user. This can be found on a sticker on the motherboard and another on the chassis service tag. If necessary, the password can be reset.

For more information, please visit <https://www.supermicro.com/en/solutions/management-software/bmc-resources>

Product Page

AS -4125GS-TNRT



AS -4125GS-TNRT1



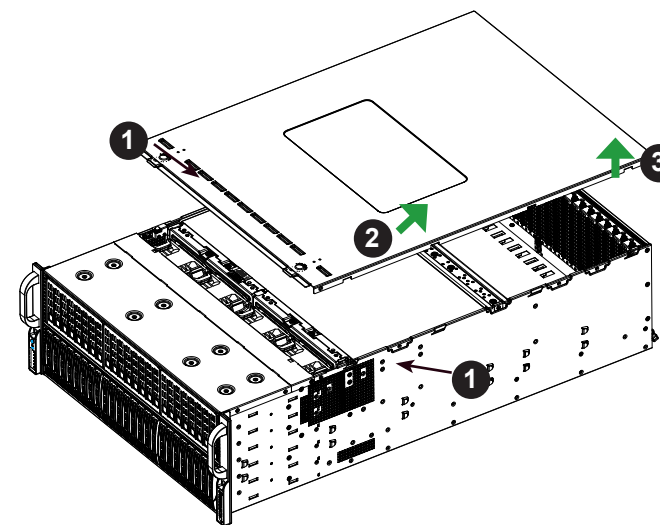
AS -4125GS-TNRT2



Accessing the System

1. Power off the system and disconnect all power cords before proceeding.
2. Remove the screws securing the cover to the chassis.
3. Slide the cover toward the rear of the chassis.
4. Lift the cover from the chassis.

Important: Except for short periods of time, do not operate the server without the cover in place. The chassis cover must be in place to allow proper airflow and prevent overheating.



Caution

SAFETY INFORMATION
IMPORTANT: See installation instructions and safety warning before connecting system to power supply.
https://www.supermicro.com/about/policies/safety_information

WARNING
To reduce risk of electric shock/damage to equipment, disconnect power from server by disconnecting all power cords from electrical outlets.
If any CPU socket is empty, install protective plastic CPU cap.

CAUTION
Always be sure all power supplies for this system have the same power output. If mixed power supplies are installed, the system will not operate.
For more information, go to <https://www.supermicro.com/support>