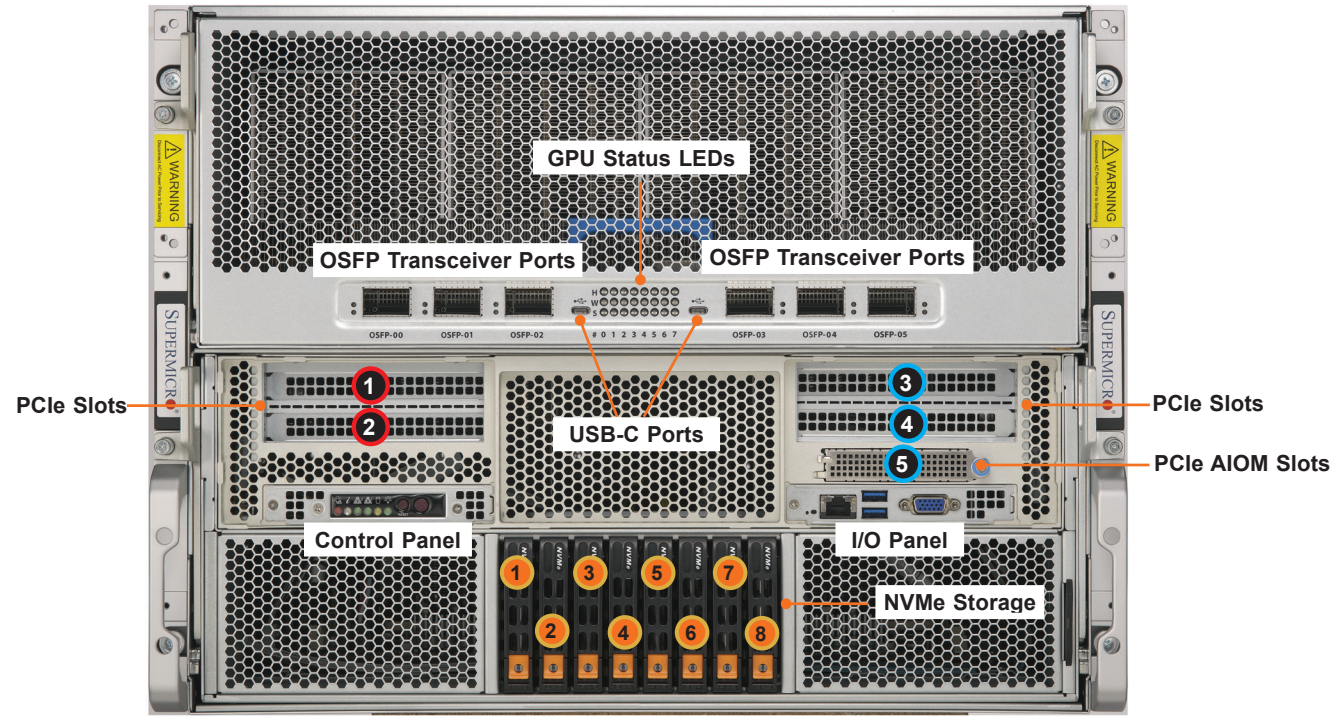
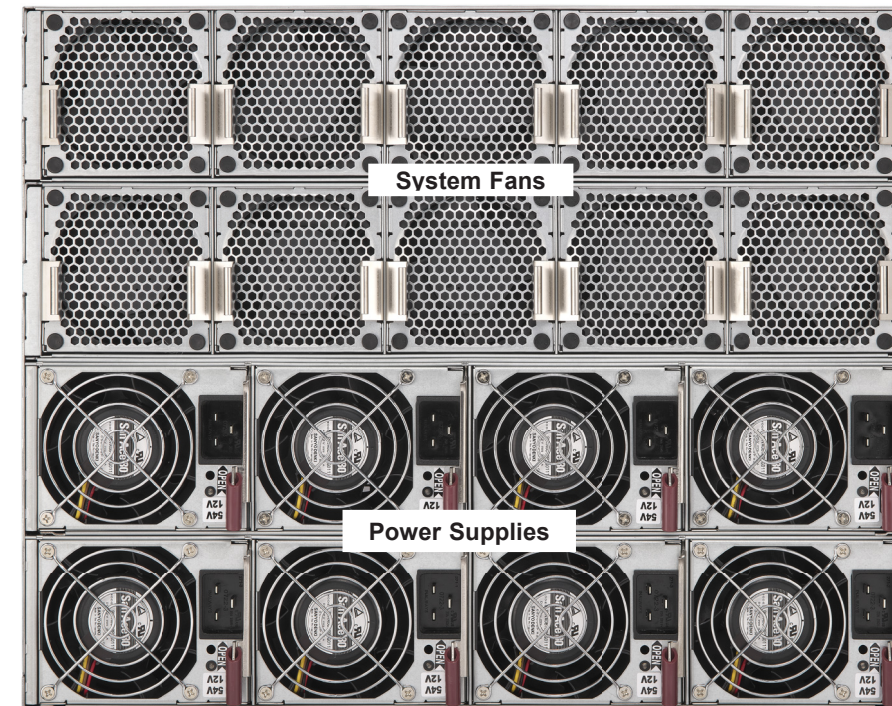


SUPERMICR[®] SuperServer[®] SYS-822GA-NGR3 Quick Reference Guide

Front Features



Rear Features

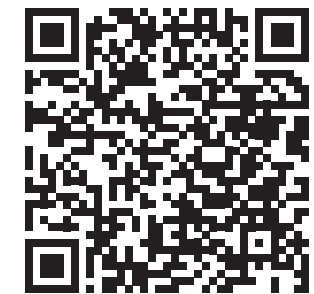


BMC Password

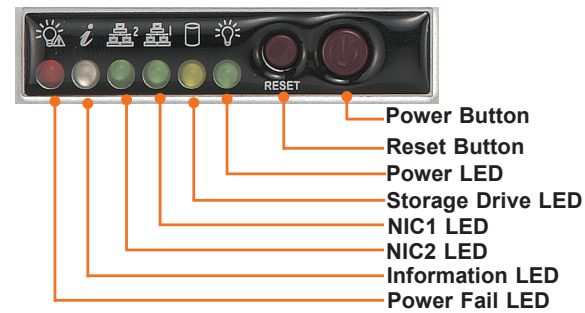
Each system comes with a unique default password for the ADMIN user. This can be found on a sticker on the motherboard and another on the chassis service tag. If necessary, the password can be reset.

For more information, please visit <https://www.supernano.com/en/solutions/management-software/bmc-resources>

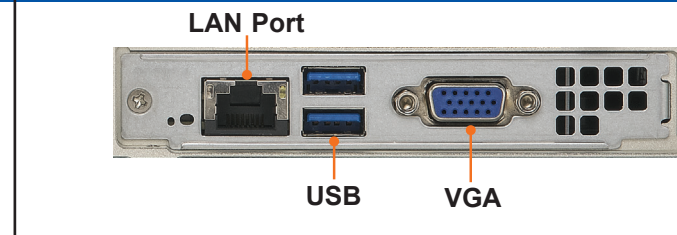
System Datasheet



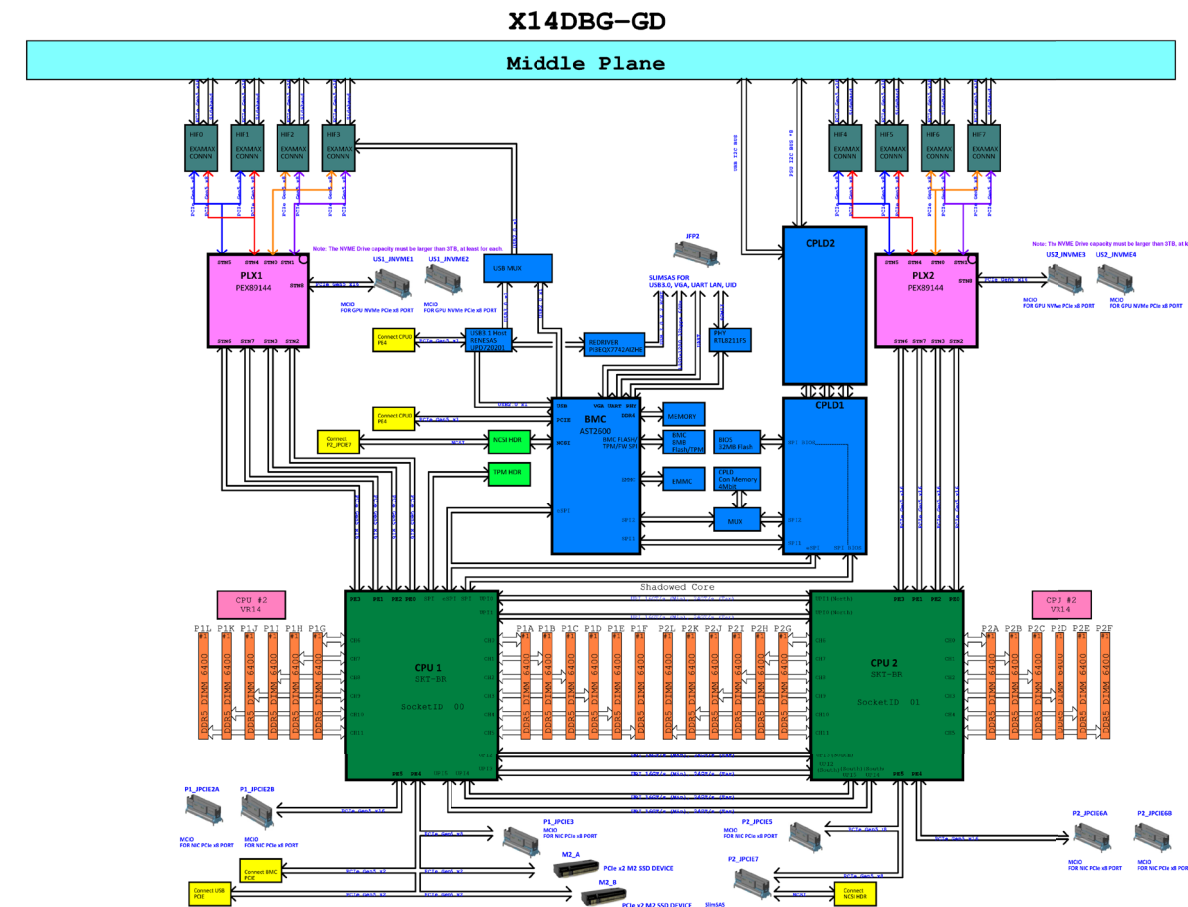
Control Panel



I/O Panel



System Block Diagram



Information LED —The Information LED (blue, red) is a bi-color LED that communicates information about failures, UID, BMC, and RoT status in the system. See the summary table below. Some status definitions are coupled with the Power LED status to differentiate between different states in the system. See the user manual for more details.

Information LED

Function	Color, Status	Description
Failure	Red, solid	An overheating condition has occurred.
	Red, blinking at 1 Hz	Fan failure, check for an inoperative fan
	Red, blinking at 0.25 Hz	Power failure, check for a non-operational power supply
UID	Blue, solid	UID has been activated locally to locate the server in a rack environment.
	Blue, blinking at 1 Hz	UID has been activated remotely using the BMC to locate the server in a rack environment.
BMC	Blue, blinking at 2 Hz	BMC is resetting.
	Blue, blinking at 4 Hz	BMC is setting factory defaults.
RoT	Red, solid with Power LED blinking	Fault detected.
	Blue, blinking at 10 Hz with Power LED blinking	BMC or BIOS firmware being updated. The Power LED blink pattern identifies which firmware is being updated.
	Blue and red, blinking at 10 Hz	Recovery mode.