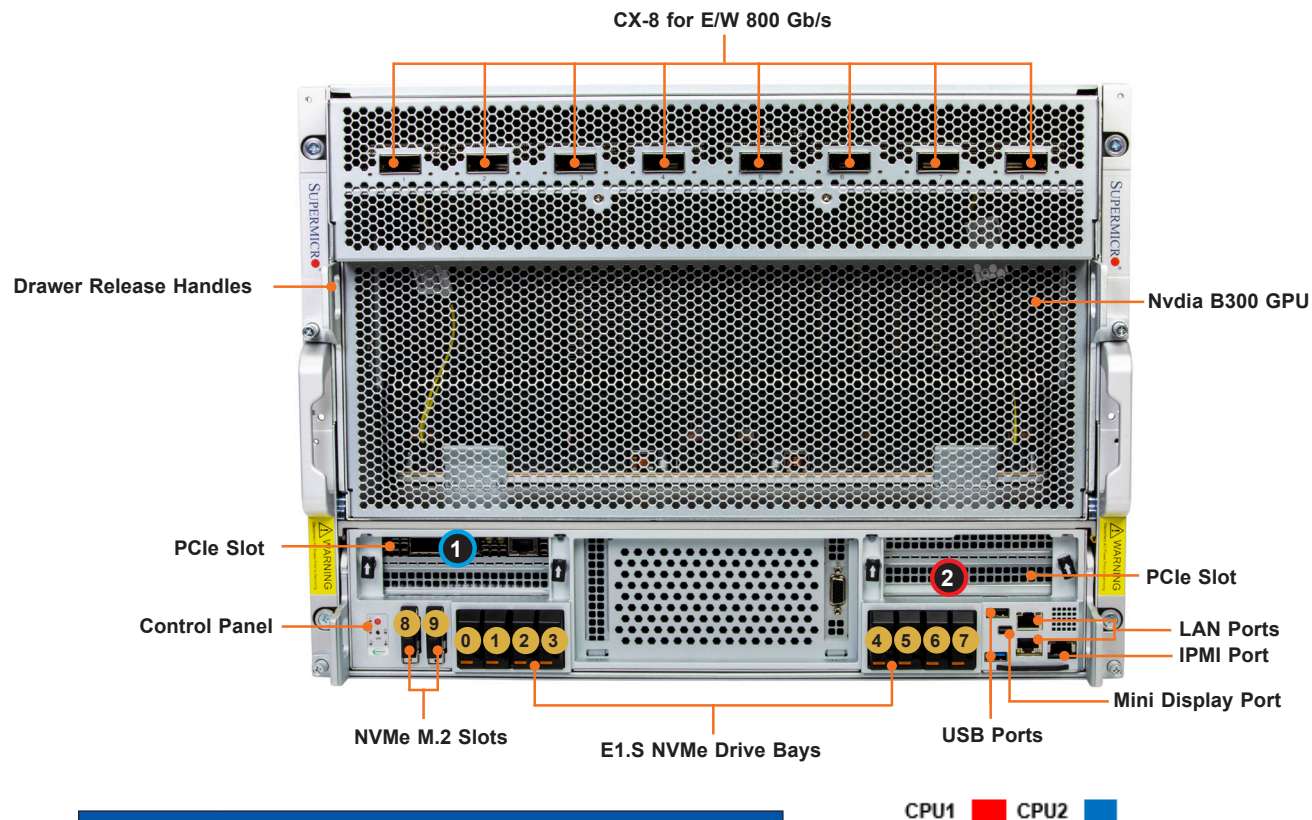


# SUPERMICR<sup>®</sup> SuperServer<sup>®</sup> AS -8126GS-NB3RT Quick Reference Guide

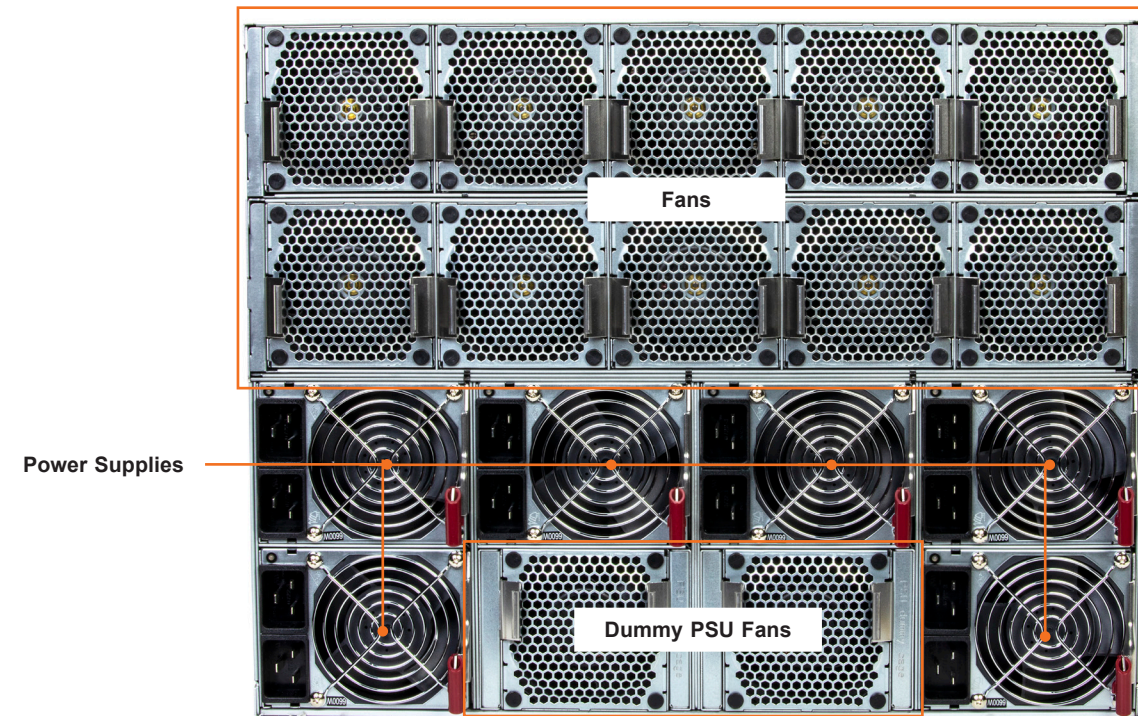
## Front Features



### PCIe Slot Description

- 1 2 PCIe 5.0 x16 FHHL from PLX Switch (N-S)

## Rear Features



## BMC Password

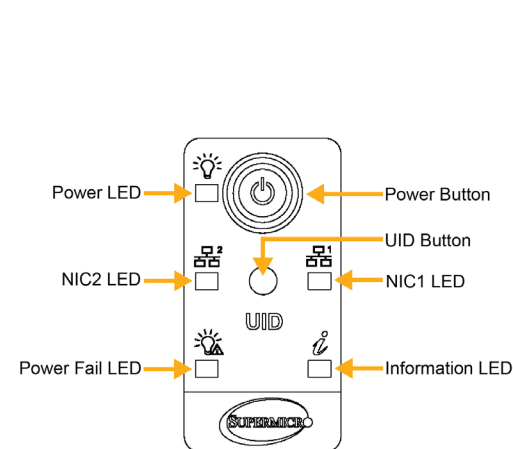
Each system comes with a unique default password for the ADMIN user. This can be found on a sticker on the motherboard and another on the chassis service tag. If necessary, the password can be reset.

For more information, please visit <https://www.supermicro.com/en/solutions/management-software/bmc-resources>

## Product Page



## Control Panel

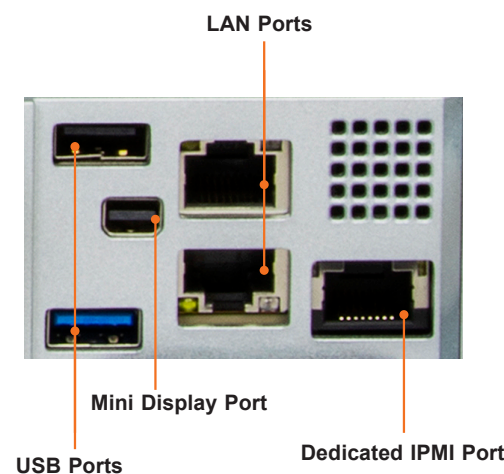


### Information LED

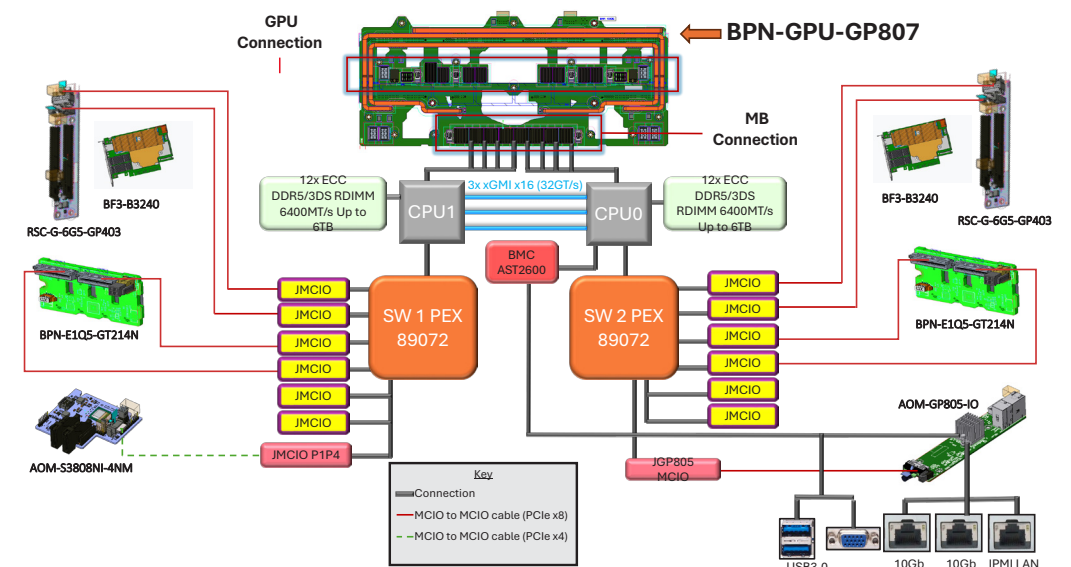
Color, Status	Description
Red, solid	An overheating condition has occurred
Red, blinking at 1 Hz	Fan failure; check for an inoperative fan.
Red, blinking at 0.25 Hz	Power failure; check for an inoperative power supply.
Red, solid with Power LED blinking green	Fault detected.
Blue and red, blinking at 10 Hz	Recovery mode.
Blue, solid	UID has been activated locally to locate the server in a rack environment.
Blue, blinking at 1 Hz	UID has been activated via BMC to locate the server in a rack environment.
Blue, blinking at 2 Hz	BMC is resetting.
Blue, blinking at 4 Hz	BMC is setting factory defaults
Blue, blinking at 10 Hz with Power LED blinking green	BIOS/BMC is recovering or updating

**UID Button/BMC Button**—The unit identification (UID) button turns on or off the blue light function of the Information LED. This button can also be used to reset the BMC.

## I/O Panel



## System Block Diagram



MNL-2865-QRG-100

© 2025 Supermicro Computer Inc. All rights reserved. Reproduction of this document, whether in part or in whole, is strictly prohibited without Supermicro's written consent. All trademarks are property of their respective entities. All information provided is deemed accurate at the time of printing. However, it is not guaranteed.