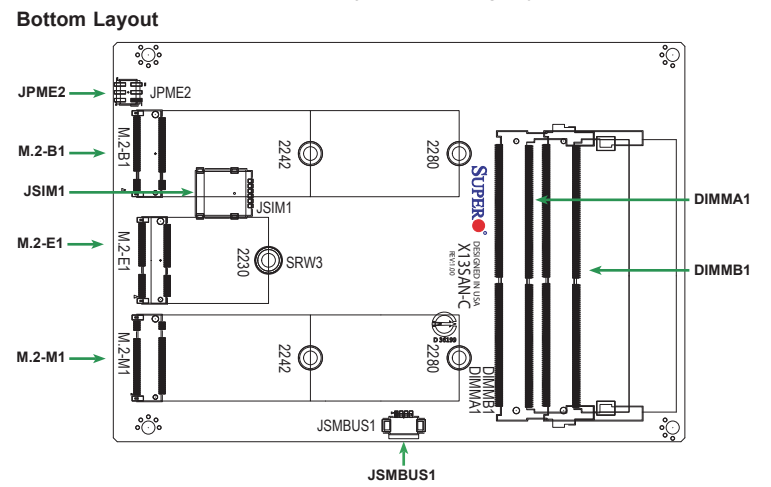
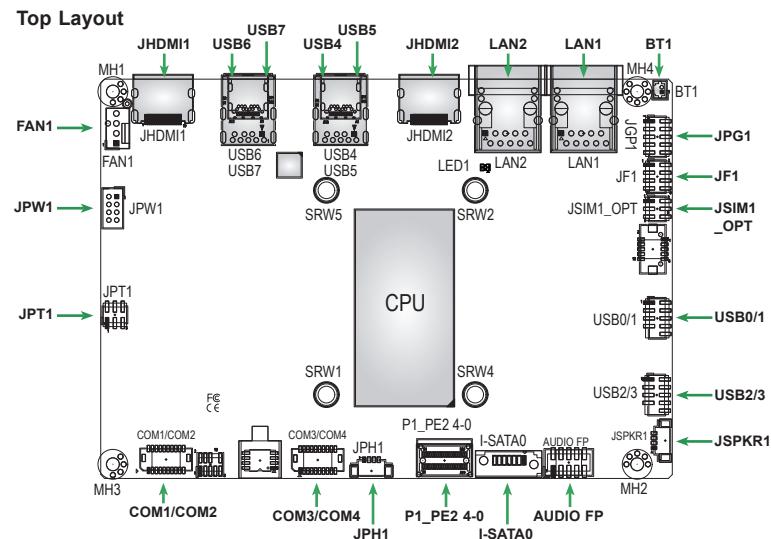


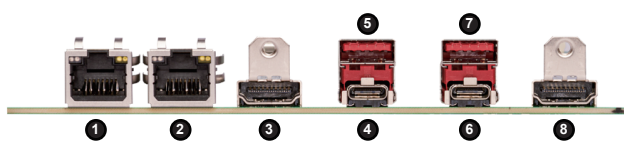
SUPERMICR[®] SuperServer E100-13AD-H/E/L/C Quick Reference Guide

Board Layout



Slots under Board Bottom	Description
Memory DIMMA1&DIMMB1 slots	Supports up to 64GB of Non-ECC DDR5 SO-DIMM with speeds of up to 4800 MT/s in two slots
M.2 B-Key 2242/2280/3042 slot	support for SATA 6Gb/s or PCIe 3.0 x1/USB 3.0/USB 2.0 and with a Nano SIM slot
M.2 E-Key 2230 slot	for PCIe 3.0 x1/USB 2.0/Intel CNVi
M.2 M-Key 2242/2280 slot	PCIe 4.0 x4

I/O Connectors



No.	Description	No.	Description
1	2.5 GbE RJ45 LAN	5	USB 3.2 Type-A
2	2.5 GbE RJ45 LAN	6	USB6/7 (3.1)
3	HDMI 1.4b	7	HDMI 1.4 Port
4	USB 3.2/DP 1.4 Type-C	8	HDMI 1.4 Port

System Features

Motherboards	X13SAN-H/E/L/C-WOHS
Chassis	CSE-E101-04
Processor Support	12th Generation Intel® Core™ or Celeron® processor
Memory	Two DIMM slots support up to 64 GB unbuffered, non-ECC SO-DIMM, DDR5 4800 MT/s
Expansion Slots	Three M.2 slots (one B-key, one M-key, one E-key)
I/O Ports	Network: Two 2.5GbE LAN ports Video: Two HDMI ports (one 2.0b port and one 1.4b port) Audio: One HD audio header for mic-in, line-out Serial: Four serial (COM) ports Two USB 3.2 (10 Gb/s) Type-A ports (front I/O panel) Two USB 3.2 (10 Gb/s)/DP Alt Mode Type-C ports (front I/O panel) Four USB 2.0 ports on the rear I/O panel One 8-bit General Purpose I/O (GPIO) port
Power	Lockable 12V, 84W DC power adapter
Form Factor	3.5" SBC; 7.68" x 1.73" x 5.94" (195 x 44 x 150mm) (WxHxD)

System Configurations

System Model	Motherboard	CPU Support
SYS-E100-13AD-H	X13SAN-H-WOHS	12th Generation Intel Core i7-1265UE
SYS-E100-13AD-E	X13SAN-E-WOHS	12th Generation Intel Core i5-1245UE
SYS-E100-13AD-L	X13SAN-L-WOHS	12th Generation Intel Core i3-1215UE
SYS-E100-13AD-C	X13SAN-C-WOHS	12th Generation Intel Celeron 7305E

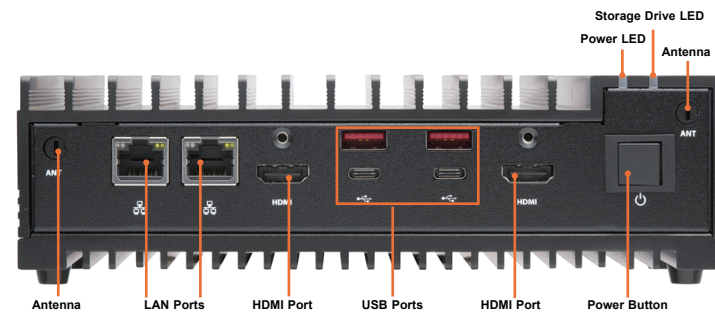
Caution

SAFETY INFORMATION
IMPORTANT: See installation instructions and safety warning before connecting system to power supply.
http://www.supermicro.com/about/policies/safety_information.cfm

WARNING:
To reduce risk of electric shock/damage to equipment, disconnect power from server by disconnecting all power cords from electrical outlets. If any CPU socket empty, install protective plastic CPU cap.

WARNING:
Always be sure all power supplies for this system have the same power output. If mixed power supplies are installed, the system will not operate.
For more information go to: <http://www.supermicro.com/support>

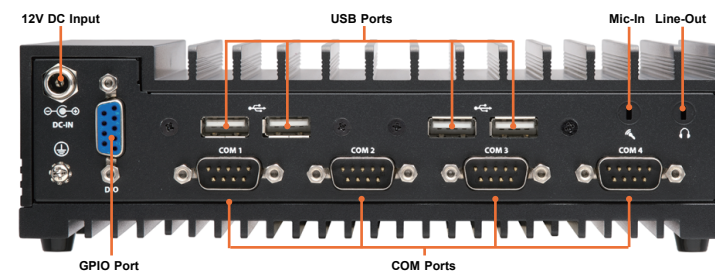
Front View & Interface



Front Chassis Features

Item	Features	Description
1	ANTENNA	WiFi antenna
2	LAN Ports	2.5GbE LAN ports (Intel I225-IT)
3	HDMI Ports	Left port: HDMI 2.0b (4K60Hz), Right port: HDMI 1.4b
4	USB Ports	USB 3.2 ports, lower two ports are USB Type-C ports
5	Power Button	System on/off button
6	Power LED	Indicates power is being supplied to the system.
7	HDD LED	Indicates data is being written to the storage drives

Rear Features



Rear Chassis Features

Item	Features	Description
1	12V DC Input	Power input for system
2	GPIO Port	General Purpose Input/Output Port
3	COM Ports	COM1 and COM2: RS232/422/485 serial ports COM3 and COM4: RS232 serial ports
4	USB Ports	USB 2.0 ports
5	Mic-In	Microphone jack (optional)
6	Line-Out	Line out jack for audio (optional)

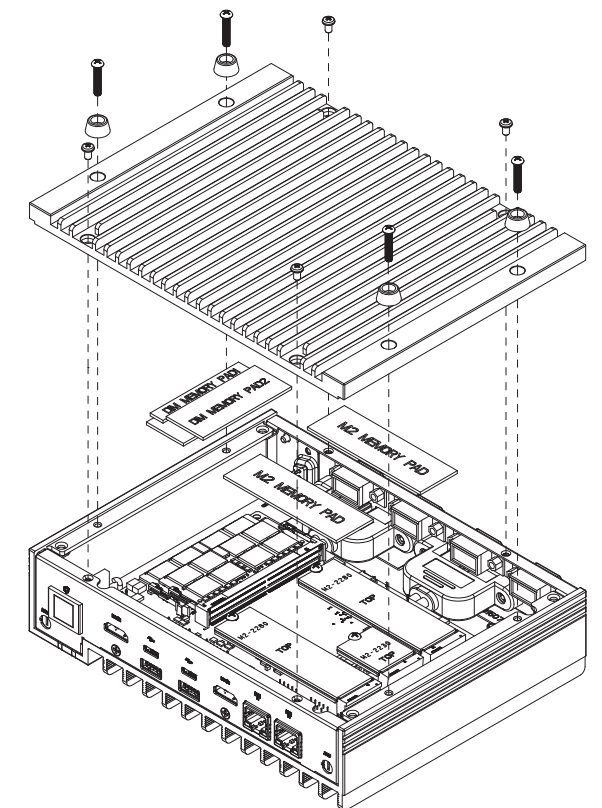
Beep (POST) Codes

Beep Code	Description
1 beep	Circuits have been reset (Ready to power up)
5 short, 1 long	No memory detected in system
5 long, 2 short	Video adapter missing or with faulty memory
1 long continuous	System overheat condition

Accessing the System

Removing the Chassis Cover Removing the Bottom Cover

1. Remove power from the system as described in Section 2.1.
2. Remove the eight screws that hold the cover in place.
3. Lift the cover up and off the chassis.



Mounting the Chassis

Installing the Mounting Brackets

1. Turn the chassis over to the bottom side.
2. Decide whether the bracket mounting holes will face outwards or inwards.
3. The mounting bracket supports two screw alignments. Decide which screw holes will be used.
4. Align the screw holes on the mounting bracket with the screw holes on the chassis.
5. Install two screws.
6. Repeat on the other mounting bracket.

