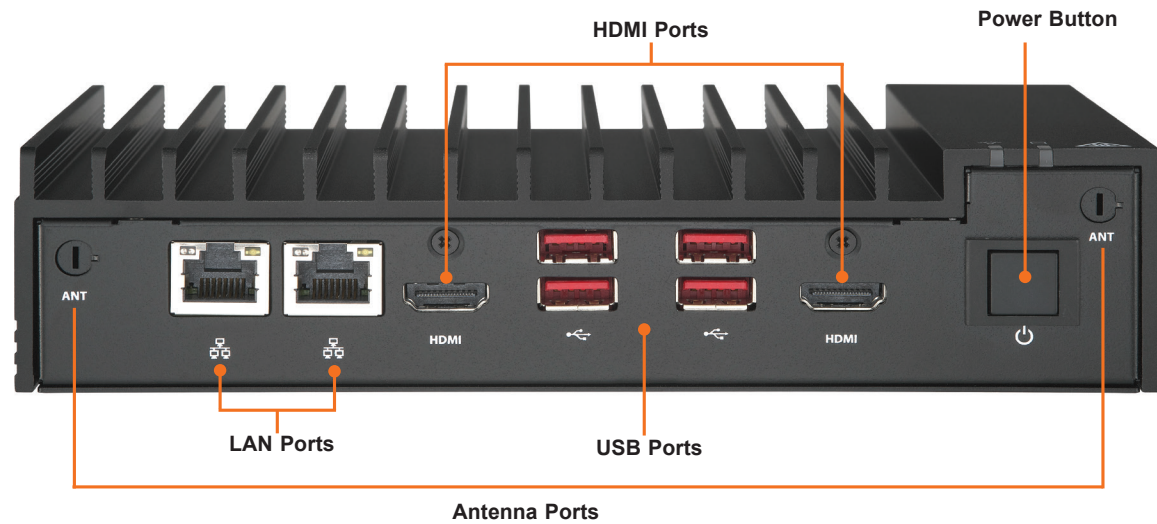


SUPERMICR[®] SuperServer[®] SYS-E100-14AM Series Quick Reference Guide

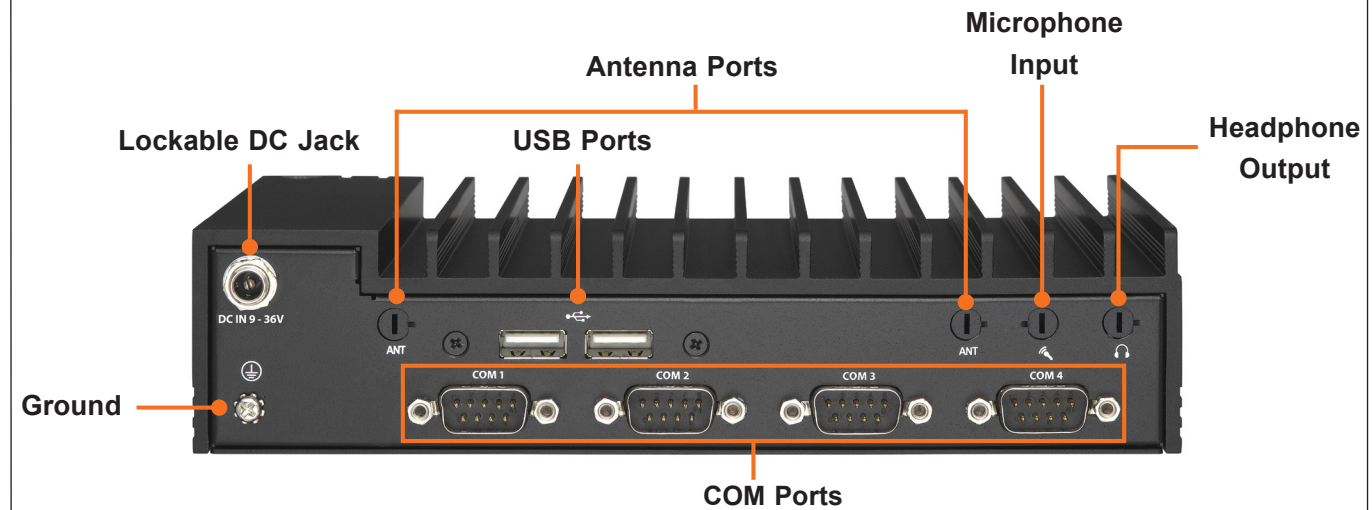
Front Features

SYS-E100-14AM-H/E/L and SYS-E100-14AM-H/E-TB2



Rear Features

SYS-E100-14AM-H and SYS-E100-14AM-E

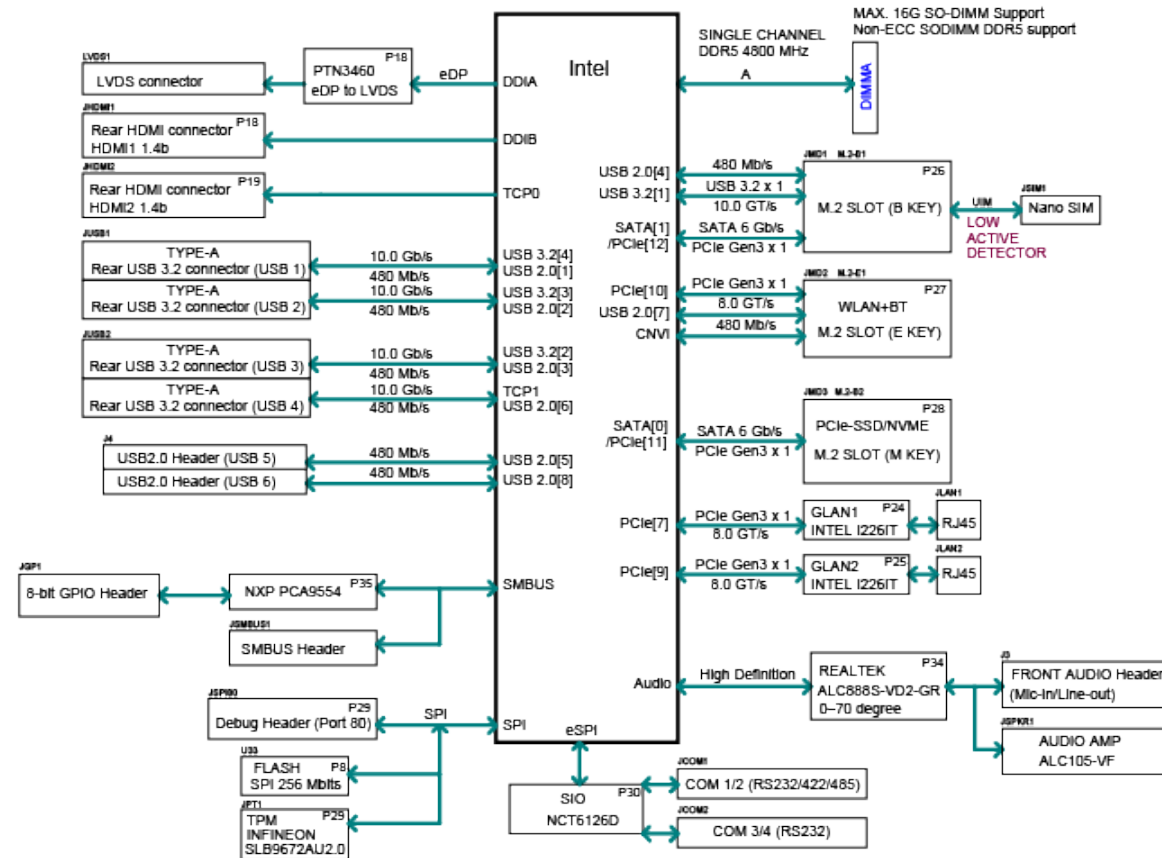


BMC Password

Each system comes with a unique default password for the ADMIN user. This can be found on a sticker on the motherboard and another on the chassis service tag. If necessary, the password can be reset.

For more information, please visit <https://www.supermicro.com/en/solutions/management-software/bmc-resources>

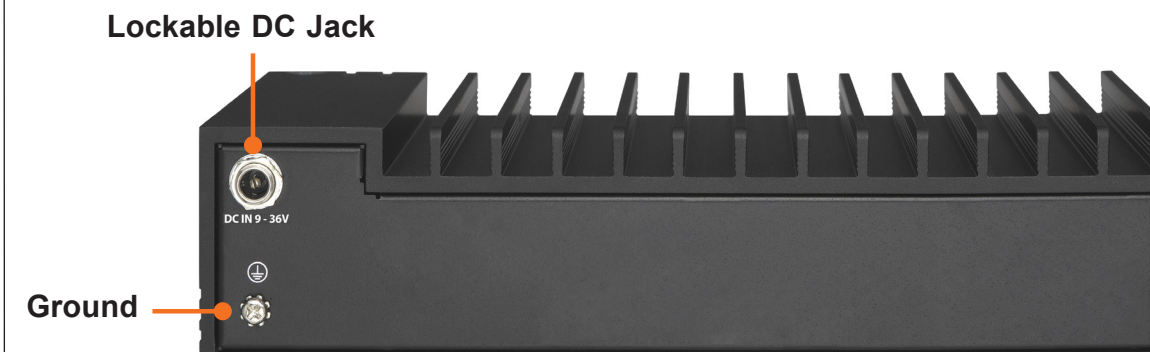
Motherboard Block Diagram



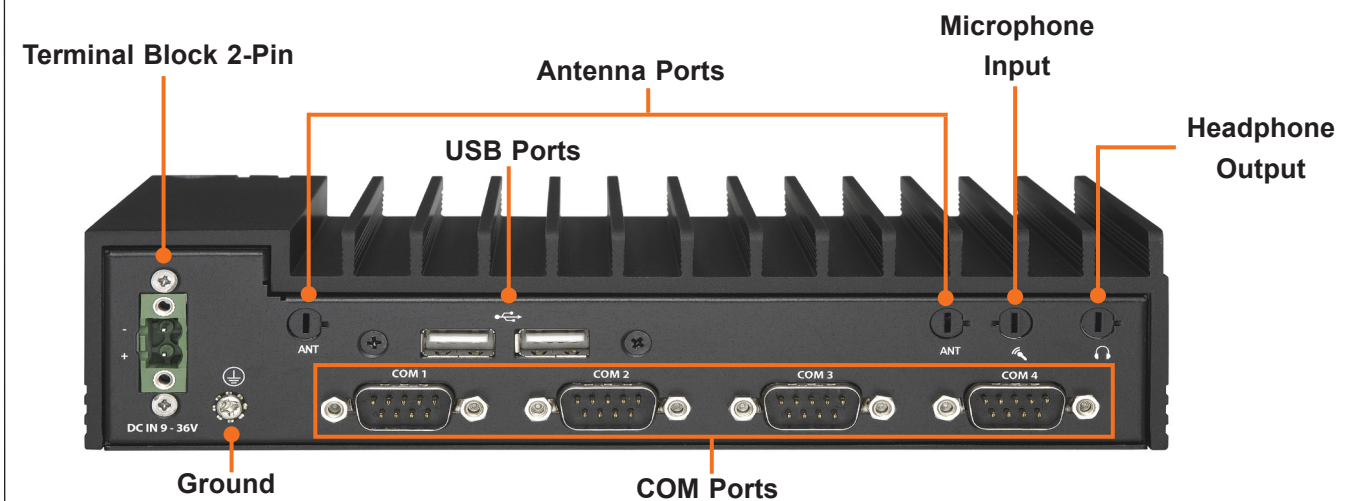
I/O PANEL LAYOUT



SYS-E100-14AM-L



SYS-E100-14AM-H-TB2 and SYS-E100-14AM-E-TB2



Caution

SAFETY INFORMATION
IMPORTANT: See installation instructions and safety warning before connecting system to power supply. https://www.supermicro.com/about/policies/safety_information.cfm

WARNING
To reduce risk of electrical shock/damage to equipment, disconnect power from server by disconnecting all power cords from electrical outlets. If any CPU socket is empty, install protective plastic CPU cap.

CAUTION
Always be sure all power supplies for this system have the same power output. If mixed power supplies are installed, the system will not operate. For more information, go to <https://www.supermicro.com/support>

MNL-2755-QRG-100

© 2025 Supermicro Computer Inc. All rights reserved. Reproduction of this document, whether in part or in whole, is strictly prohibited without Supermicro's written consent. All trademarks are property of their respective entities. All information provided is deemed accurate at the time of printing. However, it is not guaranteed.