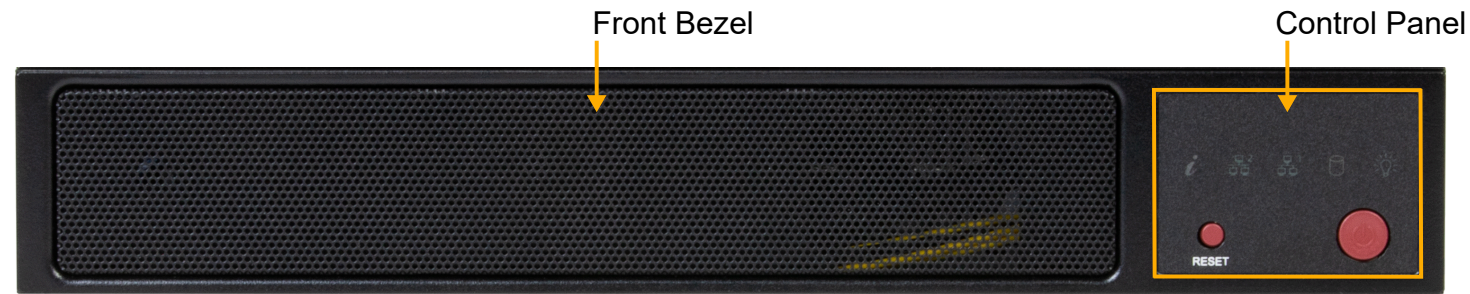


SUPERMICR® A+ Server® AS -E300-14GR Quick Reference Guide

Front Features

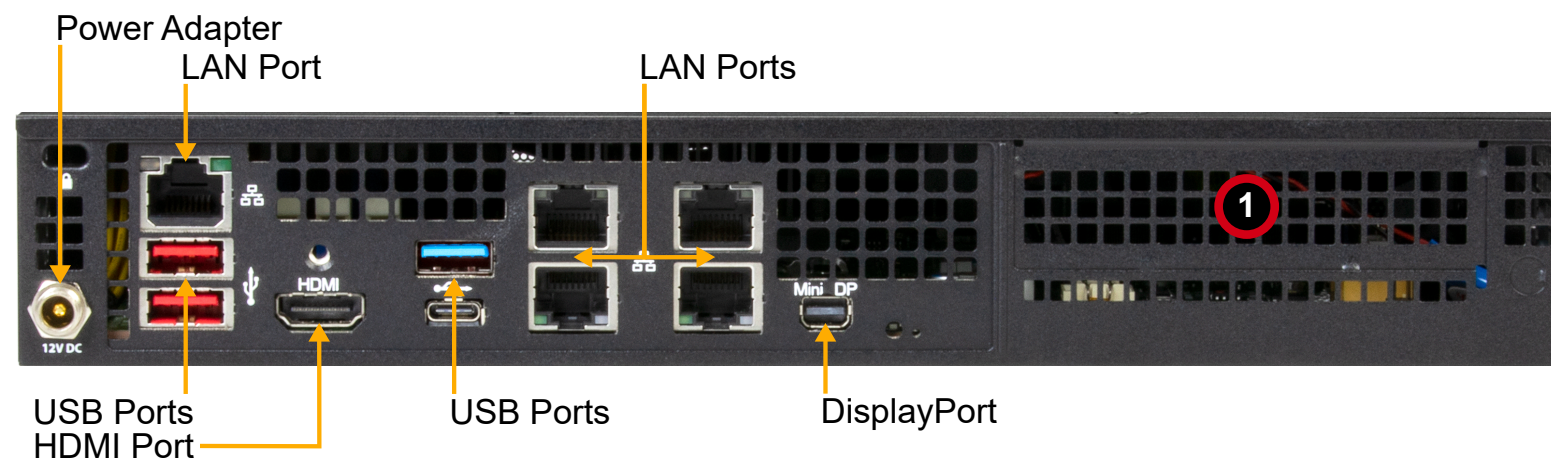


BMC Password

Each system comes with a unique default password for the ADMIN user. This can be found on a sticker on the motherboard and another on the chassis service tag. If necessary, the password can be reset.

For more information, please visit <https://www.supermicro.com/en/solutions/management-software/bmc-resources>

Rear Features

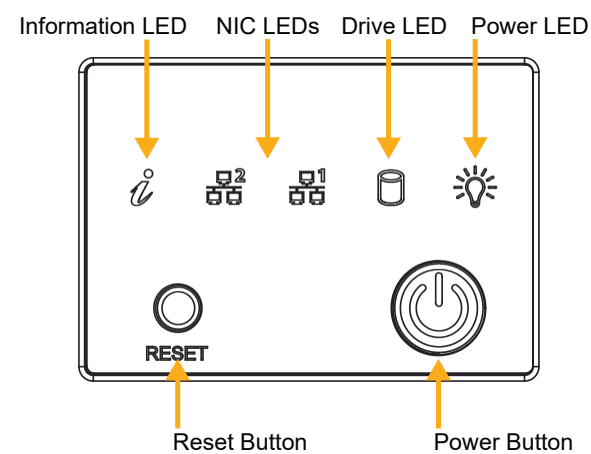


Product Landing Page

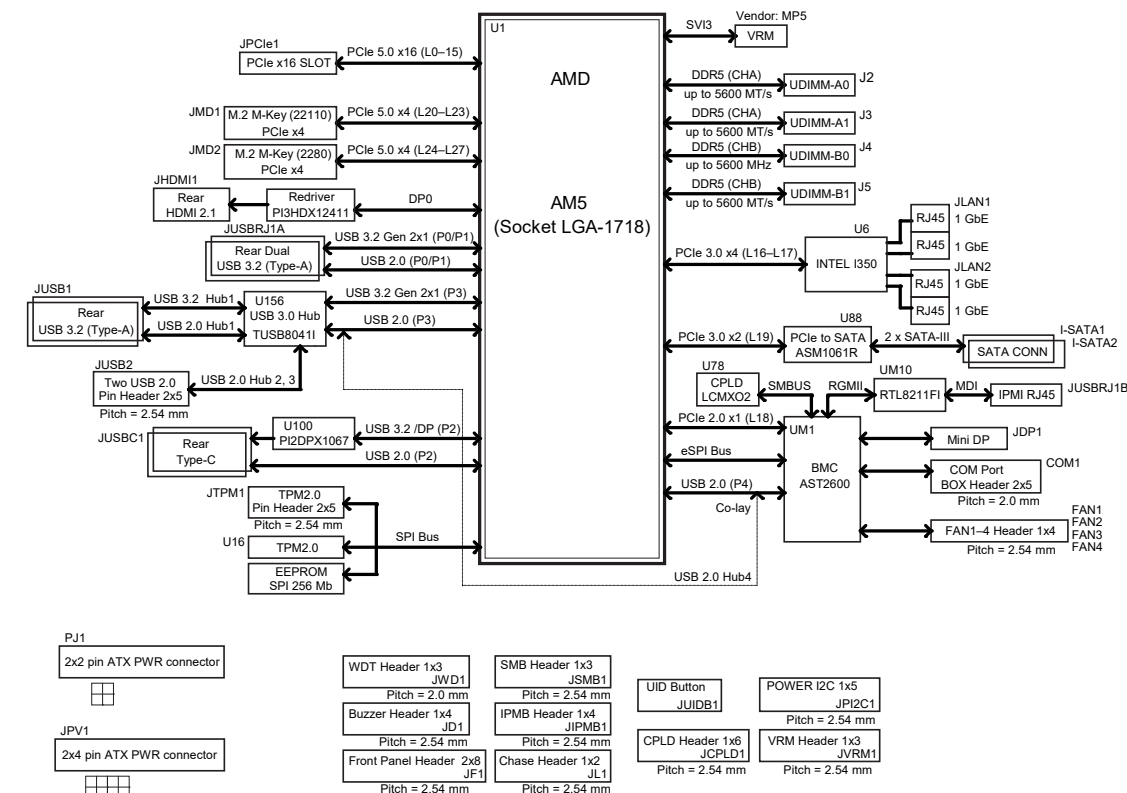


Scan for product landing page.

Control Panel



System Block Diagram



Information LED

Color, Status	Description
Red, on	Overheating condition (check for cable congestion)
Red, blinking at 1 Hz	Fan failure (check for an inoperative fan)
Blue, solid	UID activated locally to locate the server in a rack environment
Blue, blinking at 1 Hz	UID activated via BMC to locate the server in a rack environment

© 2026 Supermicro Computer Inc. All rights reserved. Reproduction of this document whether in part or in whole is strictly prohibited without Supermicro's written consent. All trademarks are property of their respective entities. All information provided is deemed accurate at the time of printing, however, it is not guaranteed.

MNL-2907-QRG-100