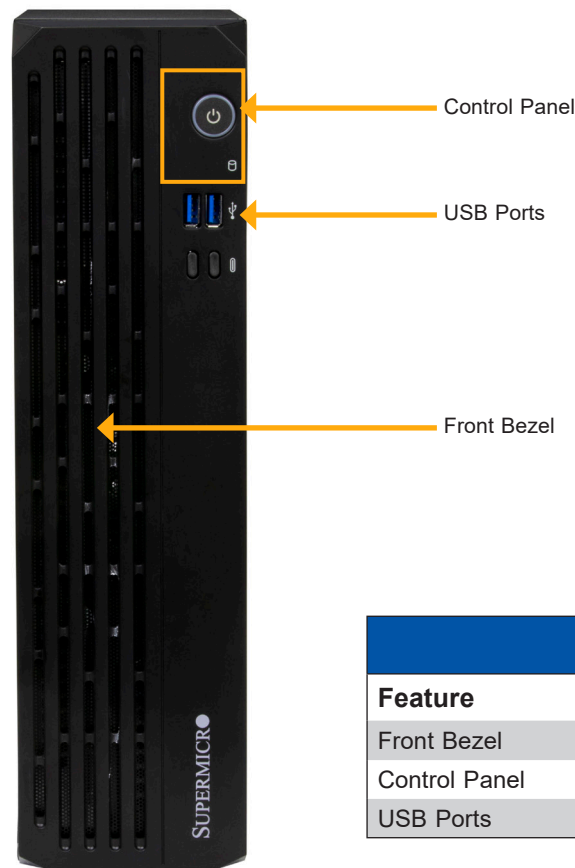


SUPERMICR® SuperServer® SYS-521AD-LN2 Quick Reference Guide

Front Features

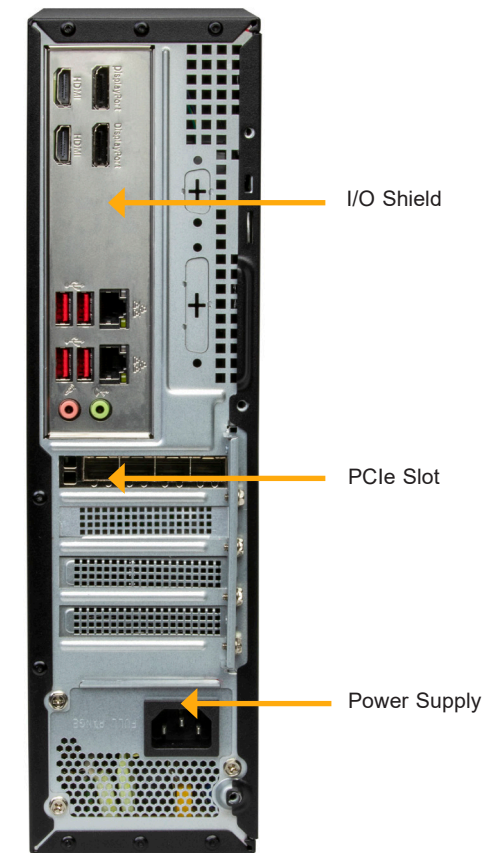


Bottom Side

System Features: Front

Feature	Description
Front Bezel	One front bezel
Control Panel	See "Control Panel" for more information
USB Ports	Two USB 3.2 Gen 1 Type-A ports

Rear Features

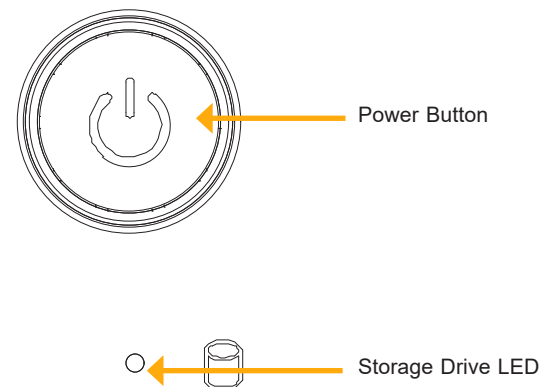


Bottom Side

System Features: Rear

Feature	Description
I/O Shield	One I/O shield (see "I/O Ports" for more information)
PCIe Slot	One PCIe 5.0 x16 HDDL double-width slot
Power Supply	One 300 W power supply

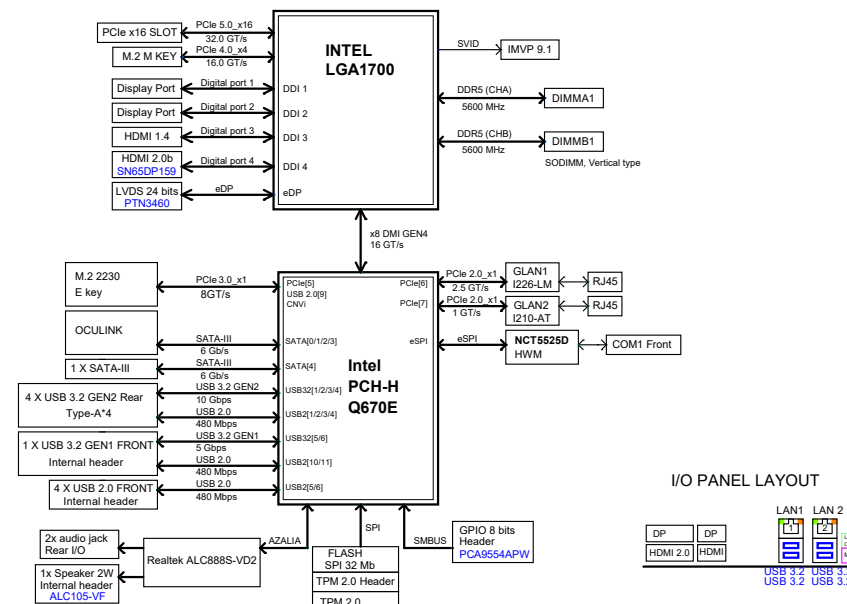
Control Panel



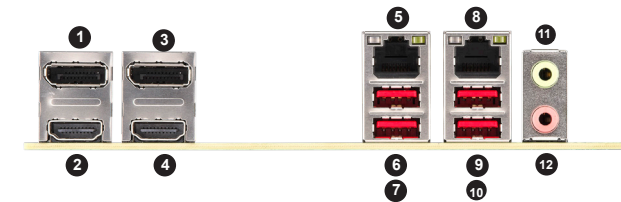
Control Panel Features

Feature	Description
Power Button	Button applying/removing main power Standby power maintained when LED is off
Drive Activity LED	LED indicating activity on any installed storage drive

Motherboard Block Diagram



I/O Ports



#	Description	#	Description
1	DP	7	USB1 (3.2)
2	HDMI 2.0b	8	LAN2
3	DP	9	USB4 (3.2)
4	HDMI 1.4	10	USB3 (3.2)
5	LAN1	11	LINE OUT
6	USB2 (3.2)	12	MIC IN

Product Page

