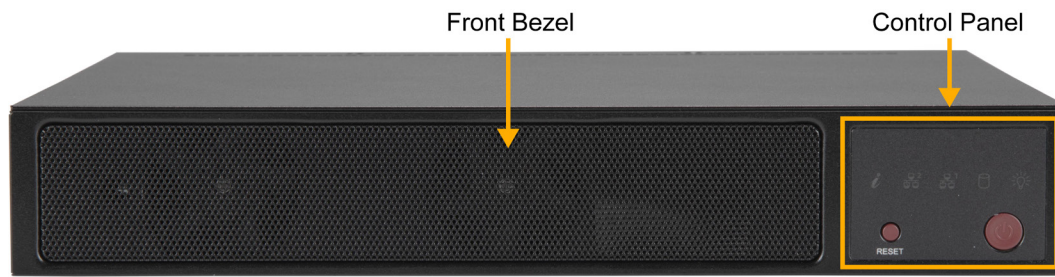


SUPERMICR® SuperServer® SYS-E300-13AD5 Quick Reference Guide

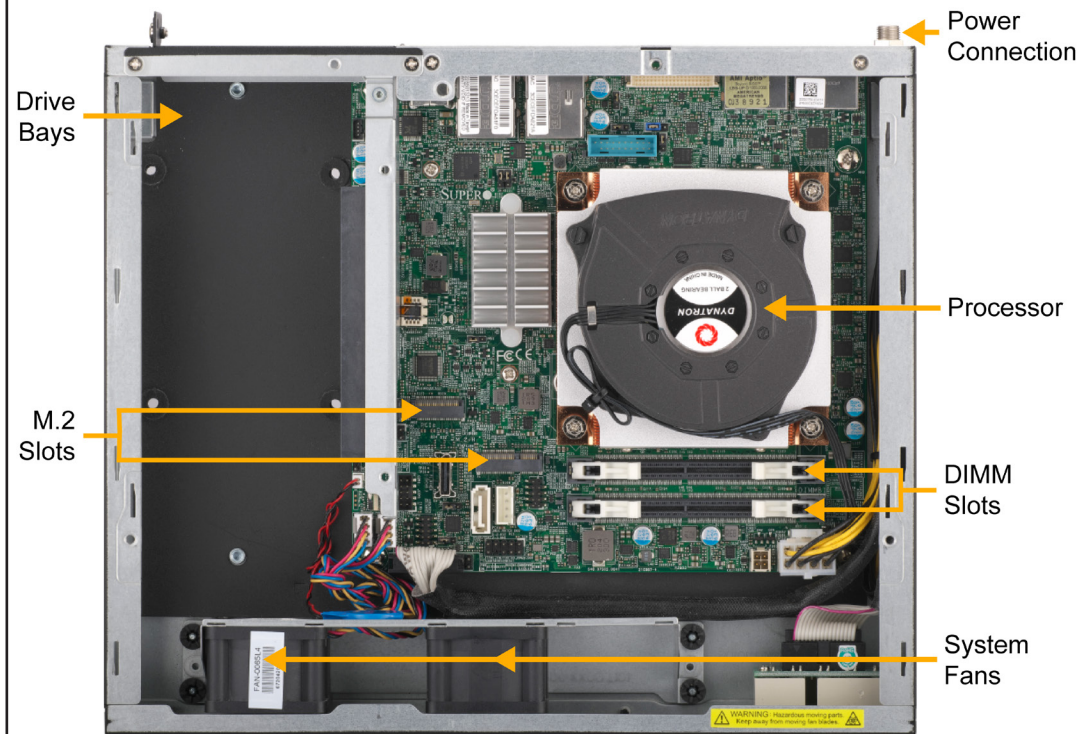
Front Features



Front Features

Feature	Description
Front Bezel	Front cover/faceplate securing internal components
Control Panel	Front control panel with LEDs and buttons (see Control Panel for details)

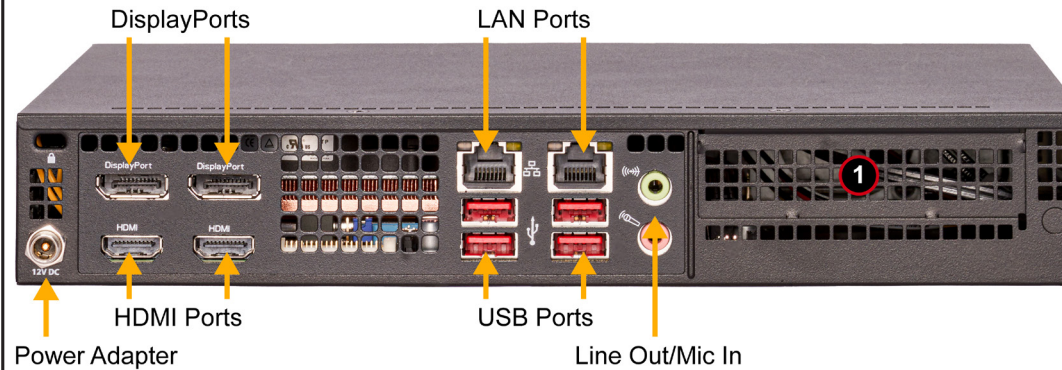
Main Components



Main Components

Feature	Description
Power Connection	Power jack connection for AC power source
Drive Bays	Two internal 2.5" SATA drive bays (SATA accessible when AOC bay is unoccupied)
Processor	Intel 14th Generation processor
M.2 Slots	Two M.2 NVMe slots
DIMM Slots	Two DDR5 SODIMM slots
System Fans	Two 4-cm internal fans

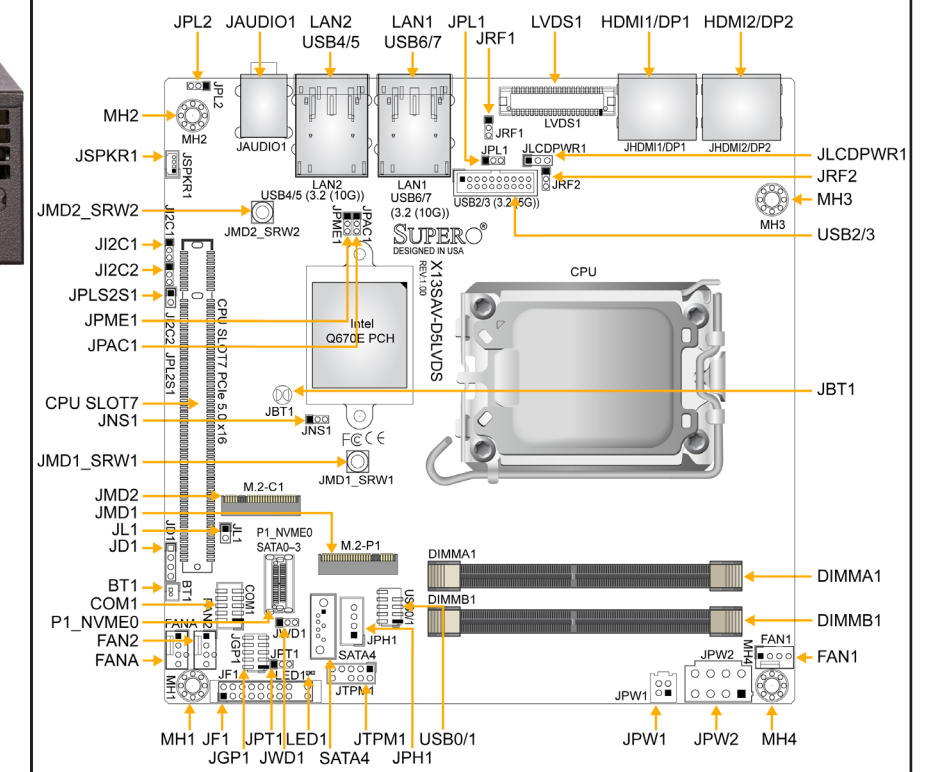
Rear Features



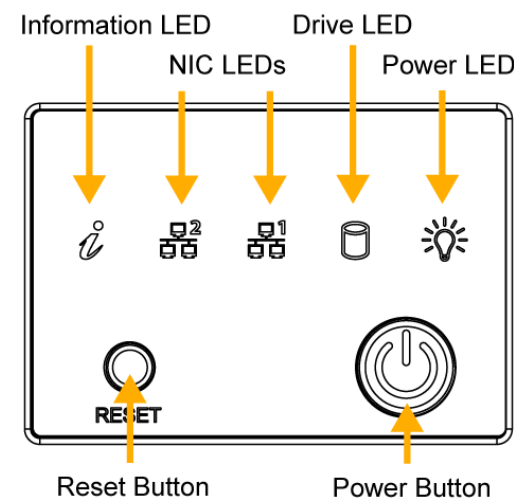
Rear Features

Feature	Description
Power Adapter	One lockable 12 VDC-in power adapter
Display Ports	Two DPI DisplayPorts
HDMI Ports	Two HDMI ports
LAN Ports	One 2.5 GbE RJ45 port One 1 GbE RJ45 port
USB Ports	Four USB 3.2 ports
Line Out/Mic In	Line out port on top (green), mic in port on bottom (pink)
1	PCIe 5.0 x16 slot: standard low-profile

Motherboard Layout



Control Panel



Control Panel Features

Color, Status	Description
Information LED	LED indicating system states (see Information LED table below for details)
NIC LEDs	LEDs indicating network activity on LAN port 1 and LAN port 2
Drive LED	LED indicating activity on any installed storage drive
Power LED	LED indicating power on (steady)
Power Button	Button applying/removing main power Standby power maintained when LED is off
Reset Button	Button activating the blue information and rear UID LEDs for server location in a rack environment when pressed once, or performing a hard system reset when held for 3 seconds (all unsaved data will be lost)

Information LED

Color, Status	Description
Red, on	Overheating condition
Red, blinking at 1 Hz	Fan failure (check for inoperative fan)
Blue, solid	UID activated locally to locate the server in a rack environment
Blue, blinking	UID activated via BMC to locate the server in a rack environment

BMC Password

Each system comes with a unique default password for the ADMIN user. This can be found on a sticker on the motherboard and another on the chassis service tag. If necessary, the password can be reset.

For more information, please visit <https://www.supermicro.com/en/solutions/management-software/bmc-resources>

Product Page



MNL-2914-QRG-100

© 2026 Supermicro Computer Inc. All rights reserved. Reproduction of this document, whether in part or in whole, is strictly prohibited without Supermicro's written consent. All trademarks are property of their respective entities. All information provided is deemed accurate at the time of printing, however, it is not guaranteed.