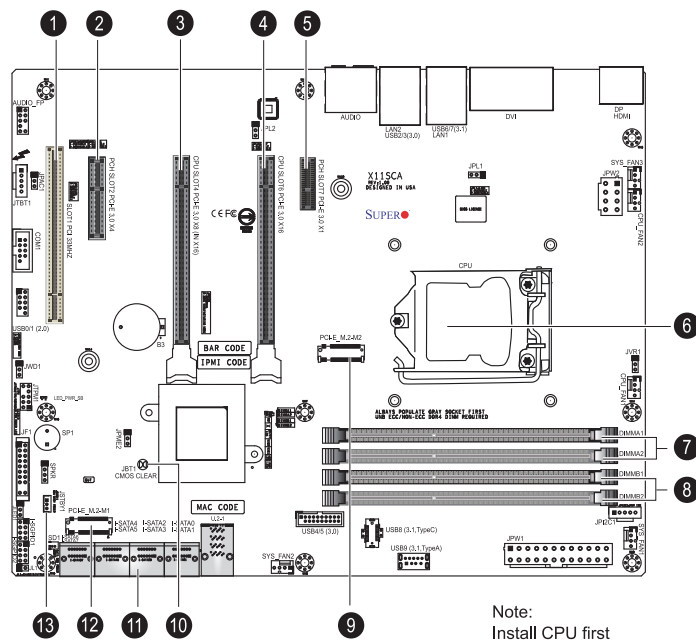


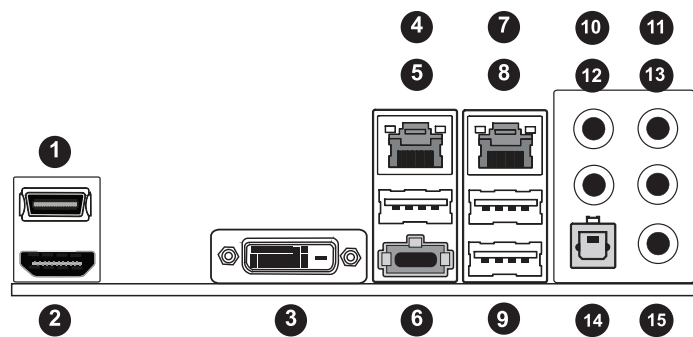
Board Layout



No.	Description	No.	Description
1	SLOT1 PCI 33MHz	7	DIMMA1/DIMMA2
2	PCH SLOT2 PCI-E 3.0 x4	8	DIMMB1/DIMMB2
3	CPU SLOT4 PCI-E 3.0 X8 (IN X16)	9	PCI-E M.2 Connectors = M.2#2
4	CPU SLOT6 PCI-E 3.0 X16	10	JBT1 = Clear CMOS
5	PCH SLOT7 PCI-E 3.0 X1	11	I-SATA 0~7 = Intel SATA Ports
6	CPU	12	PCI-E M.2 Connectors = M.2#1
		13	JSD1 = SATA DOM Power Connector

Note:
Install CPU first

Back Panel I/O Connectors



1. DisplayPort	7. LAN2	13. Line Out
2. HDMI	8. USB3 (USB 3.1 Gen 1)	14. SPDIF Out
3. DVI	9. USB2 (USB 3.1 Gen 1)	15. Mic In
4. LAN1	10. Center/LFE Out	
5. USB6 (USB 3.1 Gen 2)	11. Line In	
6. USB7 (USB 3.1 Gen 2 Type C)	12. Surround Out	

Memory

Memory Population Guidelines

- All DIMMs must be DDR4.
- Balance memory. Using unbalanced memory topology, such as populating two DIMMs in one channel while populating one DIMM in another channel, reduces performance. It is not recommended for Supermicro systems.

Guidelines Regarding Mixing DIMMs

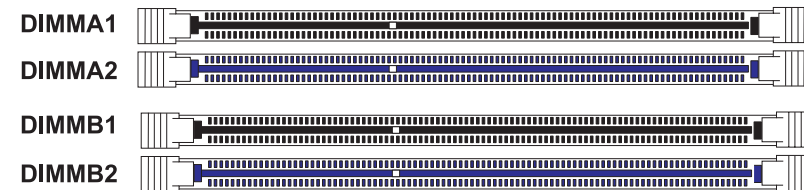
- Populating slots with a pair of DIMM modules of the same type and size results in interleaved memory, which improves memory performance.
- Use memory modules of the same type and speed, as mixing is not allowed.
- x4 and x8 DIMMs can be mixed in the same channel.

Memory Population Sequence

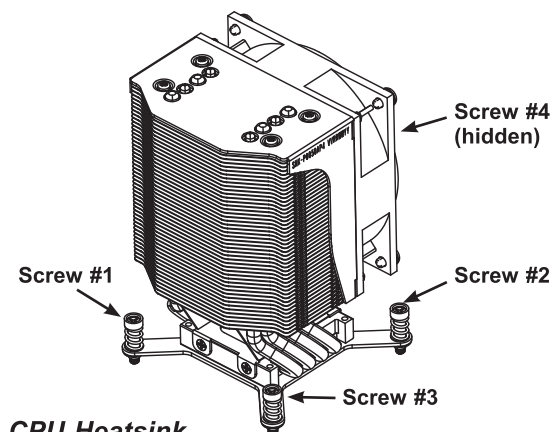
Slots should be populated in the following order: DIMMA2, DIMMB2, DIMMA1, and DIMMB1.

Recommended Population (Balanced)				
DIMMA1	DIMMB1	DIMMA2	DIMMB2	Total System Memory
		4GB DIMM	4GB DIMM	8GB
4GB DIMM	4GB DIMM	4GB DIMM	4GB DIMM	16GB
		8GB DIMM	8GB DIMM	16GB
8GB DIMM	8GB DIMM	8GB DIMM	8GB DIMM	32GB
		16GB DIMM	16GB DIMM	32GB
16GB DIMM	16GB DIMM	16GB DIMM	16GB DIMM	64GB

↑ Towards the CPU



Heatsink Installation

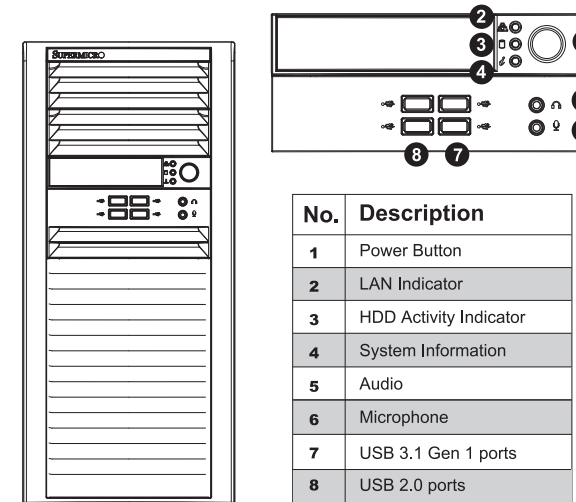


Installing the CPU Heatsink

Do not apply thermal grease to the heatsink or the CPU--the required amount has already been applied.

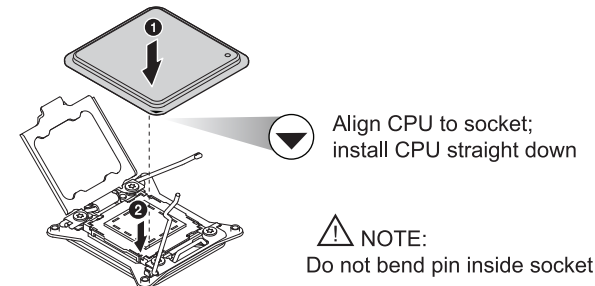
- Remove the power cord from the system.
- Place the heatsink on top of the CPU so that the four mounting screws on the heatsink are aligned with holes on the socket.
- Tighten the screws in the order noted below, evenly and gradually. Do not over-tighten.
- Connect the heatsink fan wires to the proper motherboard connector.

Front View & Interface

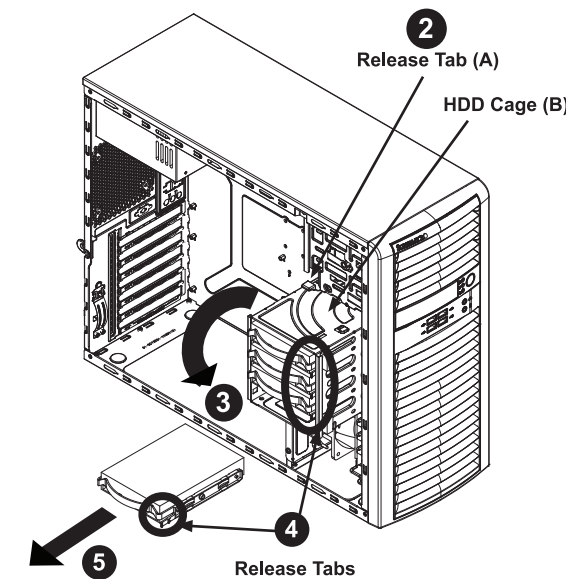


No.	Description
1	Power Button
2	LAN Indicator
3	HDD Activity Indicator
4	System Information
5	Audio
6	Microphone
7	USB 3.1 Gen 1 ports
8	USB 2.0 ports

CPU Installation



Hard Drives Installation



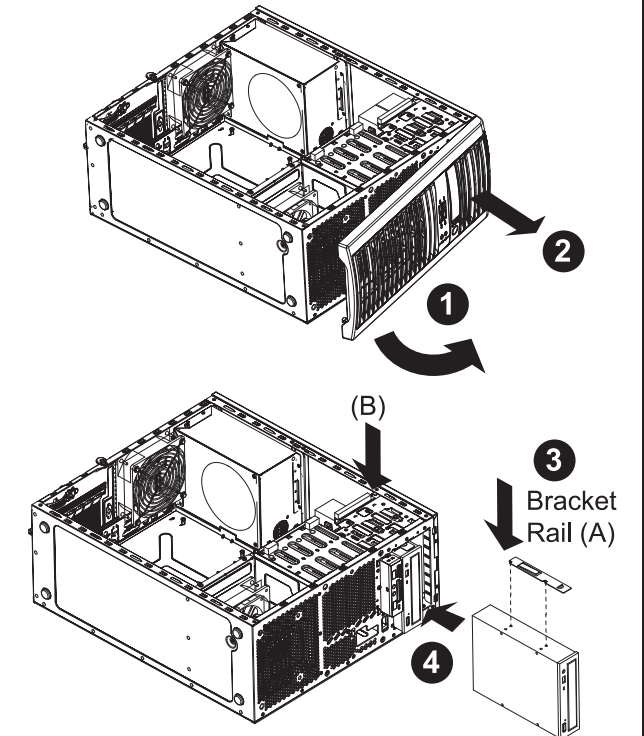
Removing and Installing 3.5" Hard Drives

- Disconnect the chassis from any power source.
- Rotate the hard drive cage outward 90 degrees.
- Disconnect all of the cables from the hard drive.
- Press the release tab on the side of the hard drive carrier that is to be removed from the hard drive cage.
- Gently slide the hard drive carrier out of the hard drive cage.

Installing an Optical Device

Installing an Optical Device

- Remove the front bezel from the chassis by lifting it upwards from the bottom, and pulling off the front of the chassis.
- Remove the cover plate from the optical device slot on the front of the chassis.
- Install the bracket rail (A) onto one side of the optical device, by inserting the pins of the bracket into the mounting holes on the sides of the optical device.
- Slide the optical device into the chassis.
- If desired, screws may be used where indicated below (B) to secure the optical device into chassis.



Caution

SAFETY INFORMATION

IMPORTANT: See installation instructions and safety warning before connecting system to power supply.
http://www.supermicro.com/about/policies/safety_information.cfm

WARNING:

To reduce risk of electric shock/damage to equipment, disconnect power from server by disconnecting all power cords from electrical outlets.
If any CPU socket empty, install protective plastic CPU cap

CAUTION:

Always be sure all power supplies for this system have the same power output. If mixed power supplies are installed, the system will not operate.

WARNING:

This product can expose you to chemicals including lead, known to the State of California to cause cancer and birth defects or other reproductive harm. For more information, go to www.P65Warnings.ca.gov.

For more information go to <http://www.supermicro.com/support>

