

MegaDC SuperServer SYS-212MT-FNR

2U UP X14 MegaDC with Modular Front I/O



Key Applications

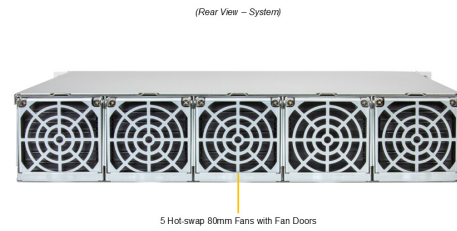
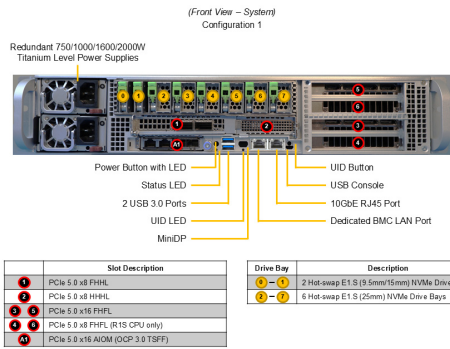
Edge Computing, CDN, Edge Nodes, 5G Core and Edge, Cloud Computing, Telco & Cloud Service Providers, Multi-Access Edge Computing (MEC), Telco Edge,

Key Features

- Single Socket E2 (LGA-4710) Intel® Xeon® 6700/6500 series processors with P-cores or 6700 series processors with E-cores up to 350W with air cooling;
- Support for up to 2 double-width GPU accelerator cards;
- Up to 16 DIMMs supporting up to 4TB DDR5-6000 in 2DPC;
- Flexible networking with up to 1 OCP 3.0 compatible AIOM slots;
- Up to 2 PCIe 5.0 x16 Double-Wide (DW) FHFL + 1 PCIe 5.0 x8 FHHL + 1 PCIe 5.0 x8 LP + 1 PCIe 5.0 x16 TSFF AIOM slots;
- Optional Modular Storage & Expansion: (8x E3.S/L), (8x E1.S), (2x FHHL + 4x E1.S);



Form Factor	2U Rackmount Enclosure: 436.88 x 88.9 x 431.8mm (17.2" x 3.5" x 17") Package: 673.1 x 279.4 x 863.6mm (26.5" x 11" x 34")
Processor	Single Socket E2 (LGA-4710) Intel® Xeon® 6700/6500 series processors with P-cores or 6700 series processors with E-cores P-cores: Up to 86C/172T; Up to 336MB Cache E-cores: Up to 144C/144T; Up to 108MB Cache
GPU	Max GPU Count: Up to 2 double-width GPUs Supported GPU: NVIDIA PCIe: H200 NVL (141GB), L40S, NVIDIA RTX PRO™ 4500 Blackwell, NVIDIA RTX PRO™ 6000 Blackwell Server Edition CPU-GPU Interconnect: PCIe Gen5 x16 GPU-GPU Interconnect: NVIDIA® NVLink™
System Memory	Slot Count: 16 DIMM slots Max Memory (2DPC): Up to 4TB 6000MT/s ECC DDR5 RDIMM
Drive Bays Configuration	Default: Total 8 bays <ul style="list-style-type: none"> • 8 front hot-swap E1.S PCIe 5.0 x4 NVMe drive bays Option A: Total 8 bays <ul style="list-style-type: none"> • 8 front hot-swap E3.S 1T PCIe 5.0 x4 NVMe drive bays Option B: Total 8 bays <ul style="list-style-type: none"> • 8 front hot-swap E3.L 1T PCIe 5.0 x4 NVMe drive bays M.2: 1 M.2 PCIe 5.0 x2 NVMe slot (M-key 22110(default)/2280)
Expansion Slots	PCI-Express (PCIe) Configuration: Default <ul style="list-style-type: none"> • 2 PCIe 5.0 x16 FHFL double-width slots • 1 PCIe 5.0 x8 FHHL slot • 1 PCIe 5.0 x8 LP slot • 1 PCIe 5.0 x16 AIOM slot (OCP 3.0 compatible) CXL Support: Up to 2 CXL 2.0 x16/x8 devices M.2: 1 M.2 PCIe 5.0 x2 NVMe slot (M-key 22110(default)/2280)
On-Board Devices	NVMe: NVMe; RAID 0/1/5/10 support(Intel® VROC RAID key required) Network Connectivity: 1 RJ45 10GbE with Intel® E610
Input / Output	LAN: 1 RJ45 1 GbE Dedicated BMC LAN port 1 RJ45 10 GbE LAN port (Intel® E610) USB: 2 USB 3.0 ports(front) Video: 1 Mini-DP port(Front) Serial: 1 COM (Micro USB) port(Front) TPM: 1 TPM Onboard TPM & TPM Header



System Cooling	Fans: 5 Hot-Swappable, High Performance PWM 80x80x38mm Fan(s) Air Shroud: 1 Air Shroud
Power Supply	2x 2000W Redundant (1 + 1) Titanium Level (96%) Hot-plug power supplies
System BIOS	BIOS Type: AMI 64MB Flash ROM
Management	SuperCloud Composer®; Supermicro Server Manager (SSM); Super Diagnostics Offline (SDO); Supermicro Thin-Agent Service (TAS); SuperServer Automation Assistant (SAA) New!
PC Health Monitoring	CPU: Monitors for CPU Cores, Chipset Voltages, Memory FAN: Fans with tachometer monitoring Pulse Width Modulated (PWM) fan connectors Status monitor for speed control Temperature: Monitoring for CPU and chassis environment Thermal Control for fan connectors
Dimensions and Weight	Weight: Gross Weight: 59 lbs (26.76 kg) Net Weight: 35.3 lbs (16 kg) Available Color: Black
Operating Environment	RoHS Compliant Name: A2 Operating Temperature: 10°C to 35°C (50°F to 95°F) Non-operating Temperature: -30°C to 60°C (-40°F to 140°F) Operating Relative Humidity: 8% to 80% (max 21° DP; non-condensing) Non-operating Relative Humidity: 8% to 90% (max 38° DP; non-condensing)
Motherboard	Super X14SBPM
Chassis	CSE-LB23MTS-R000NDP