

# CloudDC A+ Server AS -1114CS-TNR

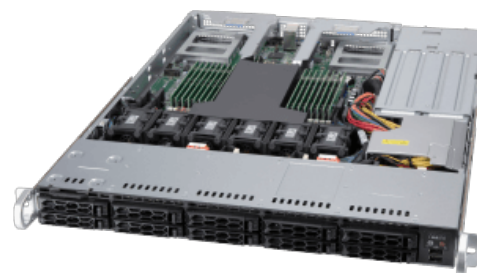
1U CloudDC with 10 hot-swap SATA bays and 2 PCIe 4.0 x16 slots

## Key Applications

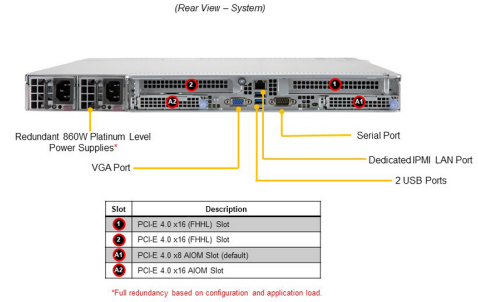
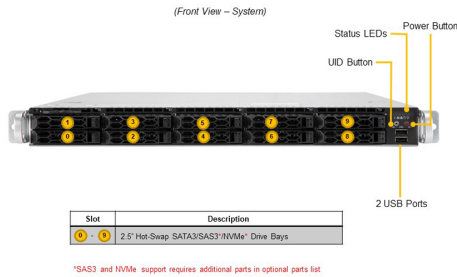
Hosting & Content Delivery, Cloud Computing, Financial Services & Healthcare  
Image Archives, Private & Hybrid Cloud, AI/Deep Learning Training and Inference, Networking Security Appliance,

## Key Features

- Single AMD EPYC™ 7002/7003 Series Processor  
(The latest AMD EPYC™ 7003 Series Processor with AMD 3D V-Cache™ Technology requires BIOS version 2.3 or newer);
- 16 DIMMs; up to 4TB 3DS ECC DDR4-3200MHz  
RDIMM/LRDIMM;
- 2 PCIe 4.0 x16 FHHL slots  
2 AIOM slots for flexible networking (1 x8 AIOM slot + 1 x16 AIOM slot);
- 10 Hot-swap 2.5" SATA3 drive bays  
optional 10x SAS3/NVMe support via additional SAS/NVMe kit  
M.2 Interface: 2 PCIe 4.0 x4  
M.2 Form Factor: 2242, 2260, 2280, 22110  
M.2 Key: M-key;



<b>Form Factor</b>	1U Rackmount Enclosure: 437 x 43 x 597mm (17.2" x 1.7" x 23.5") Package: 602 x 195.6 x 807.7mm (23.7" x 7.7" x 31.8")
<b>Processor</b>	Single Socket SP3 AMD EPYC™ 7002/7003 Series Processors Up to 64C/128T
<b>GPU</b>	Max GPU Count: Up to 2 double-width or 2 single-width GPUs Supported GPU: NVIDIA PCIe: A2, T4
<b>System Memory</b>	Slot Count: 16 DIMM slots Max Memory (2DPC): Up to 4TB 3200MT/s ECC DDR4 RDIMM/LRDIMM
<b>Drive Bays Configuration</b>	Default: Total 10 bays <ul style="list-style-type: none"> <li>• 10 front hot-swap 2.5" SATA drive bays</li> </ul> Option A: Total 10 bays <ul style="list-style-type: none"> <li>• 10 front hot-swap 2.5" NVMe* drive bays</li> </ul> Option B: Total 10 bays <ul style="list-style-type: none"> <li>• 10 front hot-swap 2.5" SAS* drive bays</li> </ul> (*NVMe/SAS support may require additional storage controller and/or cables, please see the optional parts list for details)
<b>Expansion Slots</b>	PCI-Express (PCIe) Configuration: Default <ul style="list-style-type: none"> <li>• 2 PCIe 4.0 x16 FHHL slots</li> <li>• 2 PCIe 4.0 x16 AIOM slots (OCP 3.0 compatible)</li> </ul> M.2: 2 M.2 PCIe 4.0 x4 slots (M-key 2242/2260/2280/22110)
<b>On-Board Devices</b>	SATA: SATA (6Gbps) Network Connectivity: Ethernet IPMI: Support for Intelligent Platform Management Interface v.2.0 IPMI 2.0 with virtual media over LAN and KVM-over-LAN support
<b>Input / Output</b>	LAN: 1 RJ45 1 GbE Dedicated BMC LAN port USB: 2 USB 3.0 ports(rear) Video: 1 VGA port Serial: 1 COM port(rear)



System Cooling	Fans: Up to 6 Counter-rotating 40x40x56mm Fan(s)
Power Supply	2x 860W Redundant (1 + 1) Platinum Level (94%) power supplies
System BIOS	BIOS Type: AMI 256MB SPI Flash EEPROM
Management	Supermicro Update Manager (SUM); Supermicro SuperDoctor® 5 (SD5); KVM with dedicated LAN ; IPMI 2.0; Watch Dog; OOB Management Package (SFT-OOB-LIC )
PC Health Monitoring	CPU: 4+1 Phase-switching voltage regulator Monitors for CPU Cores, Chipset Voltages, Memory Fan: Fans with tachometer monitoring Pulse Width Modulated (PWM) fan connectors Status monitor for speed control Temperature: Monitoring for CPU and chassis environment Thermal Control for fan connectors
Dimensions and Weight	Weight: Gross Weight: 40 lbs (18.14 kg) Net Weight: 25 lbs (11.34 kg) Available Color: Black
Operating Environment	Operating Temperature: 10°C to 35°C (50°F to 95°F) Non-operating Temperature: -40°C to 60°C (-40°F to 140°F) Operating Relative Humidity: 8% to 90% (non-condensing) Non-operating Relative Humidity: 5% to 95% (non-condensing)
Motherboard	<a href="#">Super H12SSW-AN6</a>
Chassis	<a href="#">CSE-LB16TS-R860AWP</a>