

# SuperWorkstation A+ Server AS -2115HV-TNRT

2U UP rackmount workstation with 8 hot-swap NVMe/SAS/SATA drive bays and PCIe 5.0



More details here

## Key Applications

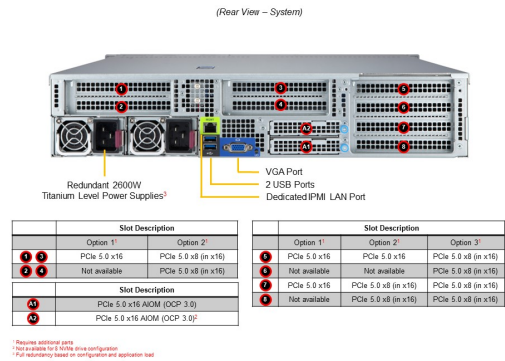
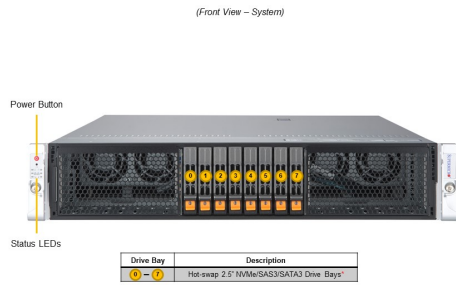
Deep Learning/AI/Machine Learning Development, Cloud Gaming, Rack Workstation,

## Key Features

- 2600W Redundant Power Supplies Titanium Level Certified  
Optional Configuration: 1600W and 2000W Redundant Power Supplies (\*Full redundancy based on configuration and application load);
- AMD Ryzen™ Threadripper™ PRO 9000WX/7000WX series up to 350W TDP Processors, CPU and Memory Overclocking supported;
- 8 DDR5 ECC Registered RDIMM/3DS RDIMM, DDR5-6400MT/s Up to total 2TB;
- 1 AIOM/OCN NIC 3.0 Slot (Optional parts required for 2nd AIOM slot)  
Up to 4 PCIe 5.0 x16 FHFL slots or 8 PCIe 5.0 x8 FHFL slots;
- 8 Hot-swap 2.5" NVMe/SAS/SATA (Optional parts required for NVMe/SAS/SATA configurations)  
M.2 Interface: 2 PCIe 4.0 x4 (RAID 0, 1)M.2 Form Factor: 2280/22110M.2 Key: M-Socket;



Form Factor	2U Rackmount Enclosure: 437 x 88.9 x 806.2mm (17.2" x 3.5" x 31.74") Package: 672 x 253 x 1100mm (26.46" x 9.96" x 43.31")
Processor	Single Socket sTR5 (LGA-4844) AMD Ryzen™ Threadripper PRO 9000WX/7000WX series Up to 96C/192T; Up to 384MB Cache
GPU	Max GPU Count: Up to 4 double-width or 8 single-width GPUs Supported GPU: NVIDIA PCIe: H200 NVL (141GB), L4, L40S, NVIDIA RTX PRO™ 4000 Blackwell, NVIDIA RTX PRO™ 4500 Blackwell, NVIDIA RTX PRO™ 5000 Blackwell, NVIDIA RTX PRO™ 6000 Blackwell Max-Q Workstation Edition, RTX 4000 Ada Generation, RTX 4500 Ada, RTX 5000 Ada, RTX 6000 Ada Generation, RTX A6000 AMD PCIe: Instinct™ MI210, Radeon™ AI PRO R9700, Radeon™ AI PRO R9700S CPU-GPU Interconnect: PCIe 5.0 x16 CPU-to-GPU Interconnect GPU-GPU Interconnect: PCIe
System Memory	Slot Count: 8 DIMM slots Max Memory (1DPC): Up to 2TB 6400MT/s ECC DDR5 RDIMM
Drive Bays Configuration	Default: Total 8 bays • 8 front hot-swap 2.5" NVMe*/SAS*/SATA* drive bays (*NVMe/SAS/SATA support may require additional storage controller and/or cables, please see the optional parts list for details) M.2: 2 M.2 PCIe 4.0 x4 NVMe slots (M-key 22110(default)/2280)
Expansion Slots	Default • 4 PCIe 5.0 x16 (in x16) FH/10.5"L double-width slots • 1 PCIe 5.0 x16 AIOM slot (OCN 3.0 compatible) Option A • 8 PCIe 5.0 x8 (in x16) FHFL slots • 1 PCIe 5.0 x16 AIOM slot (OCN 3.0 compatible)
On-Board Devices	Via AIOM
Input / Output	LAN: 1 RJ45 1 GbE Dedicated BMC LAN port USB: 2 USB 3.0 ports(rear) Video: 1 VGA port



**System Cooling** Fans: Up to 6x 6cm heavy duty fans with optimal fan speed control  
 Air Shroud: 1 Air Shroud

**Power Supply** 2x 2600W Redundant (1 + 1) Titanium Level (96%) power supplies

**System BIOS** BIOS Type: AMI 256MB SPI Flash  
 BIOS Features: UEFI 2.8  
 SMBIOS 3.5 or later  
 UEFI 2.9  
 Plug and Play (PnP)  
 USB Keyboard support  
 ACPI 6.5  
 SMBIOS 3.6 or later

**Management** SuperCloud Composer® (SCC); Supermicro Server Manager (SSM); Supermicro Update Manager (SUM);  
 Supermicro SuperDoctor® 5 (SD5); Super Diagnostics Offline (SDO); Supermicro Thin-Agent Service (TAS);  
 SuperServer Automation Assistant (SAA) New!

**PC Health Monitoring** Fan: Fans with tachometer monitoring  
 Pulse Width Modulated (PWM) fan connectors  
 Status monitor for speed control  
 Temperature: Monitoring for CPU and chassis environment  
 Thermal Control for fan connectors  
 Voltage:  
 System temperature, Memory temperature, CPU temperature, 3.3V standby, +5V standby, +5V, +3.3V, +12V, CPU thermal trip support

**Dimensions and Weight** Weight: Gross Weight: 75 lbs (34 kg)  
 Net Weight: 45 lbs (20.5 kg)  
 Available Color: Silver

**Operating Environment** RoHS Compliant  
 Operating Temperature: 10°C to 35°C (50°F to 95°F)  
 Non-operating Temperature: -40°C to 70°C (-40°F to 158°F)  
 Operating Relative Humidity: 8% to 90% (non-condensing)  
 Non-operating Relative Humidity: 5% to 95% (non-condensing)

**Motherboard** [Super H13SRH](#)

**Chassis** CSE-HS201-R000NFP