

# IoT SuperServer AS -2116S-FTNRT

H14 2U Short-depth front I/O compact edge AI system with up to 6 PCIe slots and redundant PSU



## Key Applications

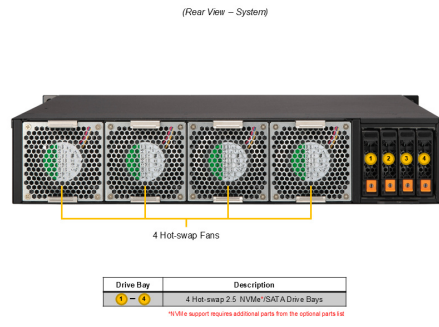
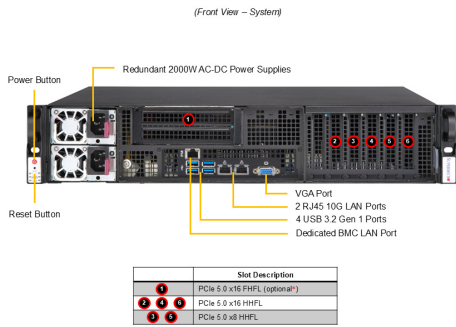
AI Inference and Machine Learning, Network Function Virtualization (NFV), Telco Edge, Edge/Cloud Computing Services,

## Key Features

- Single processor(s) AMD EPYC™ 9005 Series Processors up to 500W with air cooling;
- Up to 12 DIMMs supporting up to 3TB DDR5-6400;
- 1 PCIe x16 (FHFL, optional), 3 PCIe 5.0 x16(HHFL), 2 PCIe 5.0 x8(HHFL);
- 2x 10GBase-T LAN Ports;
- 4 hot-swap 2.5" NVMe/SATA drive bays, 2 M.2 2280/22110 drive bays;
- 2 Redundant 2000W Titanium Level power supply;
- 2U Rackmount chassis with 17.72" (450mm) depth;



Form Factor	2U Rackmount Enclosure: 437 x 89 x 450mm (17.2" x 3.5" x 17.72") Package: 720 x 266 x 555mm (28.35" x 10.47" x 21.85")
Processor	Single processor(s) AMD EPYC™ 9005 Series Processors Up to 192C/384T; Up to 384MB Cache
GPU	Max GPU Count: Up to 1 double-width or 5 single-width GPUs CPU-GPU Interconnect: PCIe 5.0 x16 CPU-to-GPU Interconnect
System Memory	Slot Count: 12 DIMM slots Max Memory (1DPC): Up to 3TB 6400MT/s ECC DDR5 RDIMM
Drive Bays Configuration	Default: Total 4 bays <ul style="list-style-type: none"> <li>• 4 front hot-swap 2.5" NVMe*/SATA drive bays</li> </ul> (*NVMe support may require additional storage controller and/or cables) M.2: 2 M.2 PCIe 5.0 x4 NVMe/SATA slots (M-key 22110(default)/2280)
Expansion Slots	Option A <ul style="list-style-type: none"> <li>• 1 PCIe 5.0 x16 (in x16) FHFL double-width slot</li> </ul> Default <ul style="list-style-type: none"> <li>• 3 PCIe 5.0 x16 (in x16) HHFL slots</li> <li>• 2 PCIe 5.0 x8 (in x8) HHFL slots</li> </ul>
On-Board Devices	2 RJ45 10GBASE-T with Broadcom® BCM57416
Input / Output	LAN: 1 RJ45 1 GbE Dedicated BMC LAN port 2 RJ45 10 GbE LAN ports USB: 4 USB 3.2 Gen1 Type-A ports Video: 1 VGA port



\*Requires additional parts from the optional parts list, and limits processor to lower TDP

System Cooling	Fans: Up to 4x 8cm Fan(s) Air Shroud: 1 per node Air Shroud
Power Supply	2x 2000W Redundant (1 + 1) Titanium Level (96%) power supplies
System BIOS	BIOS Type: AMI 64MB UEFI
Management	SuperCloud Composer®; Supermicro Server Manager (SSM); Super Diagnostics Offline (SDO); Supermicro Thin-Agent Service (TAS); SuperServer Automation Assistant (SAA) New!
PC Health Monitoring	CPU: Monitors for CPU Cores, Chipset Voltages, Memory FAN: Fans with tachometer monitoring Pulse Width Modulated (PWM) fan connectors Status monitor for speed control Temperature: Monitoring for CPU and chassis environment
Dimensions and Weight	Weight: Gross Weight: 23 lbs (10.43 kg) Net Weight: 17 lbs (7.7 kg) Available Color: Black
Operating Environment	RoHS Compliant Name: A2 Operating Temperature: 10°C to 35°C (50°F to 95°F) Non-operating Temperature: -30°C to 60°C (-40°F to 140°F) Operating Relative Humidity: 8% to 80% (max 21° DP; non-condensing) Non-operating Relative Humidity: 8% to 90% (max 38° DP; non-condensing)
Motherboard	<a href="#">Super H14SSL-NT</a>
Chassis	<b>CSE-223M-R000LPNDP</b>