

# GPU SuperServer AS -4126GS-NB3RT-LCC

DP AMD 4U Liquid-Cooled System with NVIDIA HGX B300 8-GPU (complete rack and onsite service are required)



## Key Applications

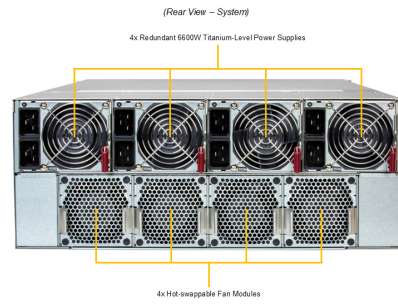
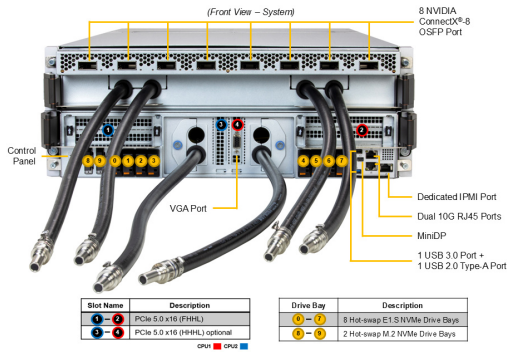
High Performance Computing, Engineering/scientific research, AI/Deep Learning Training, Industrial Automation, Healthcare, Conversational AI, Business Intelligence & Analytics, Drug Discovery, Climate and Weather Modeling, Finance & Economics,

## Key Features

- Dual processor(s) AMD EPYC™ 9005 Series Processors up to 500W with Liquid Cooling;
- NVIDIA HGX B300 Liquid cooling 8-GPU with 5th Generation NVLink® 1.8TB/s, 2.3TB of HBM3e GPU memory per system;
- 8 NVIDIA ConnectX®-8 SuperNICs, up to 800Gb/s, up to two dual-port NVIDIA BlueField®-3 DPUs, and 2 RJ45 10GbE (default);
- 24 DIMMs, with up to 6TB at 6400MT/s DDR5 memory (Please check System Memory Section for detail);
- Up to 2 PCIe 5.0 x16 FHHL slots;
- 8 Hot-swap E1.S NVMe storage drive bays and 2 M.2 NVMe boot drives;
- 4U Rackmount chassis with 39.03" (896.8mm) depth;
- Total of 4x 6600W Redundant (2 + 2) Titanium Level power supplies (Power supply full redundancy based on configuration and application load);



<b>Form Factor</b>	4U Rackmount Enclosure: 448 x 174 x 896.8mm (17.6" x 6.85" x 39.03") Package: 795 x 410 x 1395mm (31.29" x 16.14" x 54.92")
<b>Processor</b>	Dual processor(s) AMD EPYC™ 9005/9004 Series Processors Up to 192C/384T; Up to 384MB Cache per CPU
<b>GPU</b>	Max GPU Count: 8 onboard GPUs Supported GPU: NVIDIA SXM: HGX B300 8-GPU (288GB) CPU-GPU Interconnect: PCIe 5.0 x16 CPU-to-GPU Interconnect GPU-GPU Interconnect: NVIDIA® NVLink™ with NVSwitch™
<b>System Memory</b>	Slot Count: 24 DIMM slots Max Memory (1DPC): Up to 6TB 6400MT/s ECC DDR5 RDIMM (AMD EPYC™ 9005 Series Processor) Max Memory (1DPC): Up to 6TB 4800MT/s ECC DDR5 RDIMM (AMD EPYC™ 9004 Series Processor)
<b>Drive Bays Configuration</b>	Default: Total 8 bays <ul style="list-style-type: none"> <li>• 8 front hot-swap E1.S PCIe 5.0 x4 NVMe drive bays</li> </ul> M.2: 2 M.2 NVMe slots (M-key)
<b>Expansion Slots</b>	PCI-Express (PCIe) Configuration: Default <ul style="list-style-type: none"> <li>• 2 PCIe 5.0 x16 FHHL slots</li> </ul> M.2: 2 M.2 NVMe slots (M-key 22110(default))
<b>On-Board Devices</b>	8 OSFP 800GbE 2 RJ45 10GbE
<b>Input / Output</b>	USB: 1 USB 3.0 Type-A port(Front) 1 USB 2.0 Type-A port(Front) Video: 1 VGA port 1 mini-DP port TPM: 1 TPM header



System Cooling	Fans: Up to 4 Hot-swappable rear fans with optimal fan speed control 80x80x80mm Fan(s) Air Shroud: 1 Air Shroud Liquid Cooling: Direct to Chip (D2C) Cold Plate
Power Supply	4x 6600W Redundant (2 + 2) Titanium Level (96%) power supplies
System BIOS	BIOS Type: AMI 64MB SPI Flash EEPROM
Management	SuperCloud Composer®; Supermicro Server Manager (SSM); Supermicro Update Manager (SUM); Supermicro SuperDoctor® 5 (SD5); Super Diagnostics Offline (SDO); Supermicro Thin-Agent Service (TAS); SuperServer Automation Assistant (SAA) New!
PC Health Monitoring	CPU: 8+4 Phase-switching voltage regulator Monitors for CPU Cores, Chipset Voltages, Memory FAN: Fans with tachometer monitoring Pulse Width Modulated (PWM) fan connectors Status monitor for speed control Temperature: Monitoring for CPU and chassis environment Thermal Control for fan connectors
Dimensions and Weight	Weight: Gross Weight: 253 lbs (115 kg) Net Weight: 203 lbs (92 kg) Available Color: Silver
Operating Environment	Operating Temperature: 10°C to 35°C (50°F to 95°F) Non-operating Temperature: -40°C to 60°C (-40°F to 140°F) Operating Relative Humidity: 8% to 90% (non-condensing) Non-operating Relative Humidity: 5% to 95% (non-condensing)
Motherboard	<a href="#">Super H14DSG-OM</a>
Chassis	CSE-GP405LTS-R000NP