

Storage SuperServer SSG-542B-E1CR60-01-G2

4U top-loading storage server with 60 hot-swap 3.5" SAS/SATA bays and PCIe 5.0



Key Applications

Cloud-Scale Object Storage

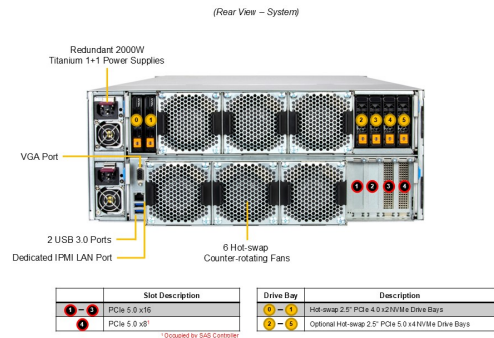
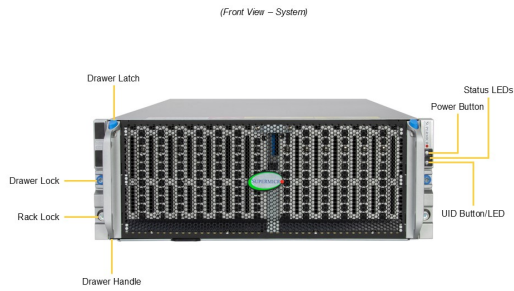
Gold Configuration Details

- CPU: 1x Intel® Xeon® 6730P (32C/2.5GHz)
- Memory: 512GB DDR5-5200
- Storage: 60x 24TB 3.5" SATA HDD
- Storage: 2x 960GB U.2 NVMe SSD
- NIC: 1x dual 25GbE SFP28
- Power: 2x 2000W Titanium Level
- Storage Controller: Broadcom® 3916 HW RAID



Base System Specs

Form Factor	4U Rackmount Enclosure: 447 x 177 x 813mm (17.6" x 6.96" x 32")
Processor	Single Socket E2 (LGA-4710) Intel® Xeon® 6700/6500 series processors with P-cores or 6700 series processors with E-cores P-cores: Up to 86C/144T; Up to 336MB Cache E-cores: Up to 144C/144T; Up to 108MB Cache
System Memory	Slot Count: 16 DIMM slots Max Memory (1DPC): Up to 2TB 6400MT/s ECC DDR5 RDIMM Max Memory (2DPC): Up to 2TB 5200MT/s ECC DDR5 RDIMM
Drive Bays Configuration	(*NVMe support may require additional storage controller and/or cables, please see the optional parts list for details) M.2: 2 M.2 PCIe 4.0 x2 NVMe slots (M-key 2280/22110)
Expansion Slots	2 M.2 PCIe 4.0 x2 NVMe slots (M-key 2280/22110)
On-Board Devices	NVMe: NVMe; RAID 0/1 support Network Connectivity: No NIC option supported
Input / Output	LAN: 1 RJ45 1 GbE Dedicated BMC LAN port USB: 2 USB 3.0 ports(rear) Video: 1 VGA port TPM: 1 TPM Onboard TPM & TPM Header



System Cooling	Fans: Up to 6 Heavy Duty 8cm Fan(s) Up to 1 Counter Rotating 6cm Fan(s)
Power Supply	2x 2000W Redundant (1 + 1) Titanium Level (96%) power supplies
System BIOS	BIOS Type: AMI 64MB SPI Flash
Management	SuperCloud Composer®; Supermicro Server Manager (SSM); Super Diagnostics Offline (SDO); Supermicro Thin-Agent Service (TAS); SuperServer Automation Assistant (SAA) New!
PC Health Monitoring	CPU: Monitors for CPU Cores, Chipset Voltages, Memory FAN: Fans with tachometer monitoring Pulse Width Modulated (PWM) fan connectors Status monitor for speed control Temperature: Monitoring for CPU and chassis environment Thermal Control for fan connectors
Dimensions and Weight	Weight: Gross Weight: 170 lbs (77.11 kg) Net Weight: 107 lbs (48.53 kg) Available Color: N/A
Operating Environment	Operating Temperature: 10°C to 35°C (50°F to 95°F) Non-operating Temperature: -40°C to 70°C (-40°F to 158°F) Operating Relative Humidity: 8% to 90% (non-condensing) Non-operating Relative Humidity: 5% to 95% (non-condensing)
Motherboard	Super X14SBSC
Chassis	CSE-947STS-R2K05P