

IoT SuperServer SYS-110C-FHN4T

Intel Single Socket LGA-1200 (Socket H5) support 10th Gen, 200W Low Noise AC-DC PWS, 1U edge platform



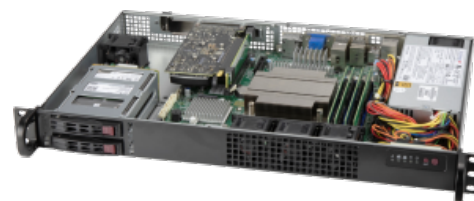
More details here

Key Applications

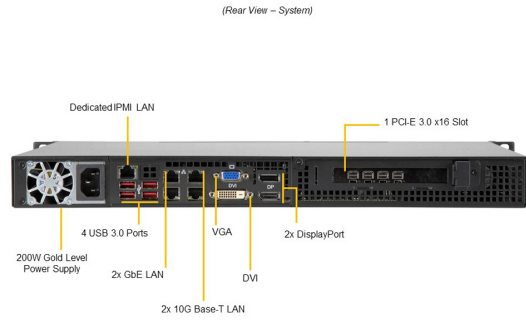
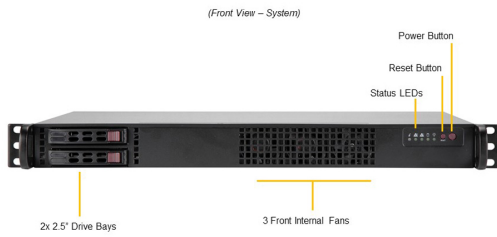
Video Surveillance, Office Server, DVR/NVR, Networking Security Appliance, Digital Signage / PoS,

Key Features

- Single Socket LGA-1200 (Socket H5) support 10th/11th Gen. Core™ I & Xeon W-1200 processors;
- 4x DIMMs; Up to 128GB Unbuffered ECC/non-ECC UDIMM;
- 1x PCIe Gen3 x16 HHHL slot;
- 2 Hot-swap 2.5" SATA3 drive bays;
- 4x 40x28mm 4-pin PWM fans;
- 200W Low Noise AC-DC power supply with PFC;
- Rear-access I/O: 2x 10GBased-T, 2x GbE, 1x Dedicated IPMI, 4x USB3.0, 1x VGA, 1x DVI-D, 2x DP;



Form Factor	1U Rackmount Enclosure: 437 x 43 x 287mm (17.2" x 1.7" x 11.3") Package: 645.16 x 154.94 x 502.92mm (25.4" x 6.1" x 19.8")
Processor	Single Socket H5 (LGA-1200) 10th/11th Gen Intel® Core™ i9/i7/i5/i3, Intel® Xeon® W-1200 processors Up to 10C/20T; Up to 20MB Cache
System Memory	Slot Count: 4 DIMM slots Max Memory (2DPC): Up to 128GB 2933MT/s ECC DDR4 UDIMM
Drive Bays Configuration	Default: Total 2 bays <ul style="list-style-type: none"> • 2 front hot-swap 2.5" SATA drive bays M.2: 1 M.2 NVMe/SATA slot (M-key 2280/22110)
Expansion Slots	Default <ul style="list-style-type: none"> • 1 PCIe 3.0 x16 HHHL slot
On-Board Devices	SATA: SATA (6Gbps) ; RAID 0/1 support Network Connectivity: 2 RJ45 1GbE 2 RJ45 10GBASE-T
Input / Output	LAN: 1 RJ45 1 GbE Dedicated BMC LAN port 2 RJ45 10 GBASE-T LAN ports 2 RJ45 1 GbE LAN ports USB: 4 Type-A ports Video: 1 VGA port 1 DVI-D port 2 DisplayPort ports DOM: 1 SuperDOM (Disk on Module) port



System Cooling	Fans: Up to 4x 4-PIN PWM 40x28mm Fan(s)
Power Supply	1x 200W Gold Level (91%) power supply
Management	SuperCloud Composer® (SCC); Supermicro Server Manager (SSM); Supermicro Update Manager (SUM); Supermicro SuperDoctor® 5 (SD5); Super Diagnostics Offline (SDO); Supermicro Thin-Agent Service (TAS); SuperServer Automation Assistant (SAA) New!
PC Health Monitoring	CPU: Monitors for CPU Cores, Chipset Voltages, Memory Fan: Fans with tachometer monitoring Pulse Width Modulated (PWM) fan connectors Status monitor for speed control Temperature: CPU thermal trip support, PEPI Monitoring for CPU and chassis environment
Dimensions and Weight	Weight: Gross Weight: 14.1 lbs (6.4 kg) Net Weight: 10 lbs (4.54 kg) Available Color: Black
Operating Environment	Operating Temperature: 0°C to 40°C (32°F to 104°F) Non-operating Temperature: -40°C to 70°C (-40°F to 158°F) Operating Relative Humidity: 8% to 90% (non-condensing) Non-operating Relative Humidity: 5% to 95% (non-condensing)
Motherboard	<u>Super X12SCZ-TLN4F</u>
Chassis	CSE-510FT-203B