

# CloudDC SuperServer SYS-120C-TN10R

1U CloudDC with 10 NVMe bays



More details here

## Key Applications

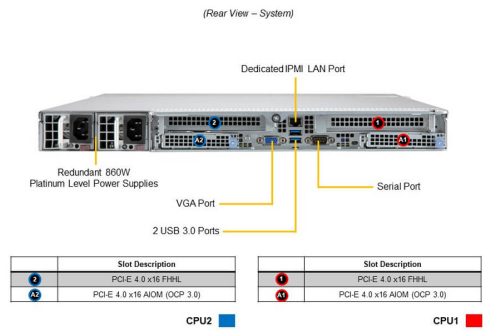
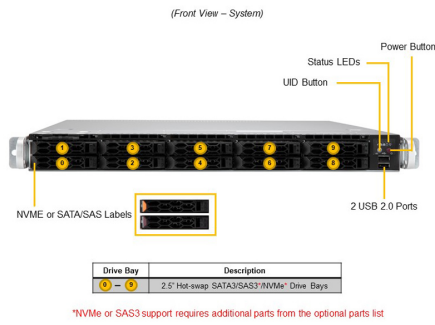
Web Server, Firewall Application, Data Center Optimized, Value IaaS, Cloud Computing, Compact Server, DNS & Gateway Servers, Firewall Application, CDN, Edge Nodes,

## Key Features

- Dual sockets P+ (LGA-4189) 3rd Gen Intel® Xeon® Scalable processors;
- Intel® C621A Chipset;
- 16 DIMMs up to 6TB 3DS ECC DDR4-3200: LRDIMM/RDIMM/Intel® Intel® DCPMM;
- 2 PCIe 4.0 x16 FHHL; 2 PCIe 3.0 x2 NVMe M.2;
- Dual AIOM (OCP 3.0) slots with NCSI for networking, 1 dedicated IPMI LAN;
- 10x 2.5" hot-swap hybrid NVMe/SATA/SAS drive bays;
- 6 counter-rotating 4 cm PWM fans with optimal fan speed control, 2 air shrouds;
- 860W redundant Platinum level 100-240Vac and 200-240 Vdc power supplies;
- 1 VGA, 1 COM, 2 USB 3.0 (rear), 2 USB 2.0 (front);



<b>Form Factor</b>	1U Rackmount Enclosure: 437 x 43 x 597mm (17.2" x 1.7" x 23.5") Package: 602 x 195.6 x 807.7mm (23.7" x 7.7" x 31.8")
<b>Processor</b>	Dual Socket P4 (LGA-4189) 3rd Gen Intel® Xeon® Scalable processors Up to 40C/80T; Up to 60MB Cache per CPU
<b>GPU</b>	Max GPU Count: Up to 2 single-width GPUs Supported GPU: NVIDIA PCIe: A2, L4 Intel PCIe: Intel Data Center GPU Flex 140
<b>System Memory</b>	Slot Count: 16 DIMM slots Max Memory (1DPC): Up to 4TB 3200MT/s ECC DDR4 RDIMM/LRDIMM Supports Intel® Optane™ persistent memory 200 series
<b>Drive Bays Configuration</b>	Default: Total 10 bays <ul style="list-style-type: none"> <li>• 10 front hot-swap 2.5" NVMe*/SAS*/SATA drive bays</li> </ul> (*NVMe/SAS support may require additional storage controller and/or cables, please see the optional parts list for details) M.2: 2 M.2 PCIe 3.0 x2 NVMe slots (M-key 2280(default); VROC required for RAID)
<b>Expansion Slots</b>	Default <ul style="list-style-type: none"> <li>• 2 PCIe 4.0 x16 FHHL slots</li> <li>• 2 PCIe 4.0 x16 AIOM slots (OCP 3.0 compatible)</li> </ul>
<b>On-Board Devices</b>	SATA: SATA (6Gbps) ; RAID 0/1/5/10 support NVMe: NVMe; RAID 0/1/5/10 support(VROC HW key required) Network Connectivity: Via AIOM
<b>Input / Output</b>	LAN: 1 RJ45 1 GbE Dedicated BMC LAN port USB: 2 USB 3.2 Gen1 Type-A ports(rear) 2 USB 2.0 Type-A ports(front) Video: 1 VGA port Serial: 1 COM port(rear) DOM: 1 SuperDOM (Disk on Module) port TPM: 1 TPM header



System Cooling	Fans: Up to 6x 4cm heavy duty fans with optimal fan speed control Air Shroud: 2 Air Shrouds
Power Supply	2x 860W Redundant (1 + 1) Platinum Level (94%) Hot-plug power supplies
System BIOS	BIOS Type: AMI 32MB SPI FLASH ROM
Management	SuperCloud Composer® (SCC); Supermicro Server Manager (SSM); Supermicro Update Manager (SUM); Supermicro SuperDoctor® 5 (SD5); Super Diagnostics Offline (SDO); Supermicro Thin-Agent Service (TAS); SuperServer Automation Assistant (SAA) New!
PC Health Monitoring	CPU: 8 Phase-switching voltage regulator Monitors for CPU Cores, Chipset Voltages, Memory. Fan: Fans with tachometer monitoring Pulse Width Modulated (PWM) fan connectors Status monitor for speed control Temperature: Monitoring for CPU and chassis environment Thermal Control for fan connectors
Dimensions and Weight	Weight: Gross Weight: 40 lbs (18.14 kg) Net Weight: 25 lbs (11.34 kg) Available Color: Black
Operating Environment	RoHS Compliant Operating Temperature: 10°C to 35°C (50°F to 95°F) Non-operating Temperature: -40°C to 60°C (-40°F to 140°F) Operating Relative Humidity: 8% to 90% (Non-Condensing) Non-operating Relative Humidity: 5% to 95% (Non-Condensing)
Motherboard	<a href="#">Super X12DDW-A6</a>
Chassis	<b>CSE-LB16TS-R860AWP</b>