

# GrandTwin SuperServer SYS-210GT-HNTF

2U 4-node UP GrandTwin with 4 2.5" NVMe/SATA drives per node



More details here

## Key Applications

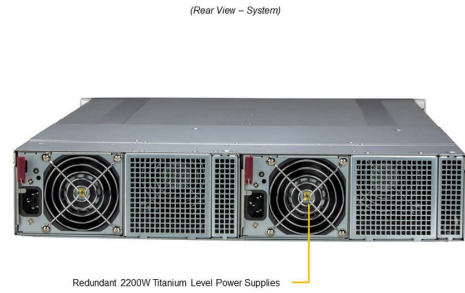
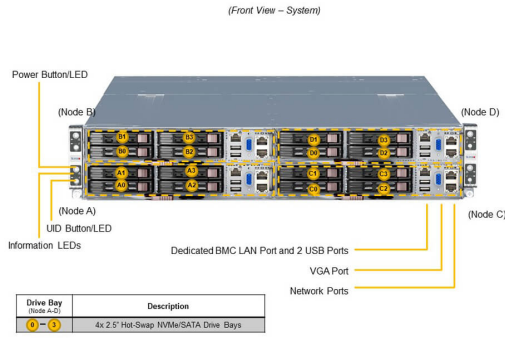
HPC, Cloud Gaming, Telco Edge, MEC (Multi-Access Edge Computing), Multi-Purpose CDN, High-availability Cache Cluster, EDA (Electric Design Automation), Mission Critical Web Applications,

## Key Features

- Four **hot-pluggable** systems (nodes) in a 2U form factor. Each node supports the following::
- Single-Socket, 3rd Gen Intel® Xeon® Scalable processors up to 270W TDP;
- Intel® C621A;
- 16 DIMM Slots up to 4TB;
- Optional: AIOM PCIe 4.0 x16 LP (OCP 3.0 compliant);
- Two optional storage modules. Each module supports 2x NVMe or SATA drive bays;
- 2x cooling fans per 2U enclosure, 16.5K RPM Heavy Duty; Shared Cooling Design;
- 2200W Redundant Power Supplies Titanium Level (96%+); Shared Power Design;



Form Factor	2U Rackmount Enclosure: 449 x 88 x 711.2mm (17.67" x 3.46" x 28") Package: 626 x 248 x 1150mm (24.65" x 9.76" x 45.28")
Processor	Single Socket P+ (LGA-4189) 3rd Gen Intel® Xeon® Scalable processors Up to 40C/80T; Up to 60MB Cache
System Memory	Slot Count: 16 DIMM slots Max Memory (1DPC): Up to 2TB 3200MT/s ECC DDR4 RDIMM Max Memory (2DPC): Up to 4TB 2666MT/s ECC DDR4 RDIMM
Drive Bays Configuration	Default: Total 4 bays <ul style="list-style-type: none"> <li>• 4 front hot-swap 2.5" NVMe/SATA drive bays</li> </ul> M.2: 2 M.2 NVMe/SATA slots (M-key)
Expansion Slots	Default <ul style="list-style-type: none"> <li>• 1 PCIe 4.0 x16 LP slot</li> </ul>
On-Board Devices	Via IO Module
Input / Output	LAN: 1 RJ45 1 GbE Dedicated BMC LAN port USB: 2 USB 3.0 ports Video: 1 VGA port



System Cooling	Fans: Up to 2x 16.5K RPM Heavy Duty 8cm Fan(s)
Power Supply	1x 2200W Redundant Titanium Level (96%) power supply
System BIOS	BIOS Type: AMI 32MB Flash ROM
Management	SuperCloud Composer® (SCC); Supermicro Server Manager (SSM); Supermicro Update Manager (SUM); Supermicro SuperDoctor® 5 (SD5); Super Diagnostics Offline (SDO); Supermicro Thin-Agent Service (TAS); SuperServer Automation Assistant (SAA) New!
PC Health Monitoring	CPU: 7+1 Phase-switching voltage regulator Monitors for CPU Cores, Chipset Voltages, Memory. Fan: Fans with tachometer monitoring Pulse Width Modulated (PWM) fan connectors Status monitor for speed control Temperature: Monitoring for CPU and chassis environment
Dimensions and Weight	Weight: Gross Weight: 88 lbs (39.9 kg) Net Weight: 68 lbs (30.8 kg) Available Color: Silver
Operating Environment	RoHS Compliant Operating Temperature: 5°C to 40°C (41°F to 104°F) Non-operating Temperature: -30°C to 60°C (-22°F to 140°F) Operating Relative Humidity: 8% to 80% (non-condensing) Non-operating Relative Humidity: 8% to 90% (non-condensing)
Motherboard	<a href="#"><b>Super X12SPT-G</b></a>
Chassis	<b>CSE-GT214BF-R2K21BP</b>