

GrandTwin SuperServer SYS-211GT-HNC8F

2U 4-Node GrandTwin with up to 4 hot-swap 2.5" NVMe/SAS/SATA drives per node and front I/O



More details here

Key Applications

HPC, Cloud Gaming, Telco Edge, MEC (Multi-Access Edge Computing), Multi-Purpose CDN, High-availability Cache Cluster, EDA (Electric Design Automation), Mission Critical Web Applications,

Key Features

- Four **hot-pluggable** systems (nodes) in a 2U form factor. Each node supports the following;:
- Single-Socket, 5th/4th Gen Intel® Xeon® Scalable processors up to 350W TDP;
- Intel® C741;
- 16 DIMM Slots supporting up to 4TB of memory; ECC RDIMMs up to DDR5-5600;
- Optional AIOM module or internal PCIe 5.0 x16;
- Integrated GrandTwin I/O Module with BMC, 2x USB, VGA and 2x 10GbE or 2x 25GbE;
- Two optional storage modules. Each module supports 2x NVMe or SAS/SATA drive bays;
- 2200W Redundant Power Supplies Titanium Level (96%+); Shared Power Design;
- Built-in SAS3 Support via Broadcom 3808; IT Mode;



Form Factor

2U Rackmount
 Enclosure: 449 x 88 x 711.2mm (17.67" x 3.46" x 28")
 Package: 626 x 248 x 1150mm (24.65" x 9.76" x 45.28")

Processor

Single Socket E (LGA-4677)
 5th Gen Intel® Xeon®/4th Gen Intel® Xeon® Scalable processors
 Supports Intel Xeon CPU Max Series with high bandwidth memory (HBM)
 Up to 64C/128T; Up to 320MB Cache

System Memory

Slot Count: 16 DIMM slots/2 Channels
 Max Memory (1DPC): Up to 2TB 5600MT/s ECC DDR5 RDIMM
 Max Memory (2DPC): Up to 4TB 4400MT/s ECC DDR5 RDIMM

Drive Bays Configuration

Option A: Total 4 bays
 • 4 front hot-swap 2.5" PCIe 5.0 NVMe*/SAS*/SATA* drive bays
 (*NVMe/SAS/SATA support may require additional storage controller and/or cables, please see the optional parts list for details)
 M.2: 2 M.2 NVMe/SATA slots (M-key)

Expansion Slots

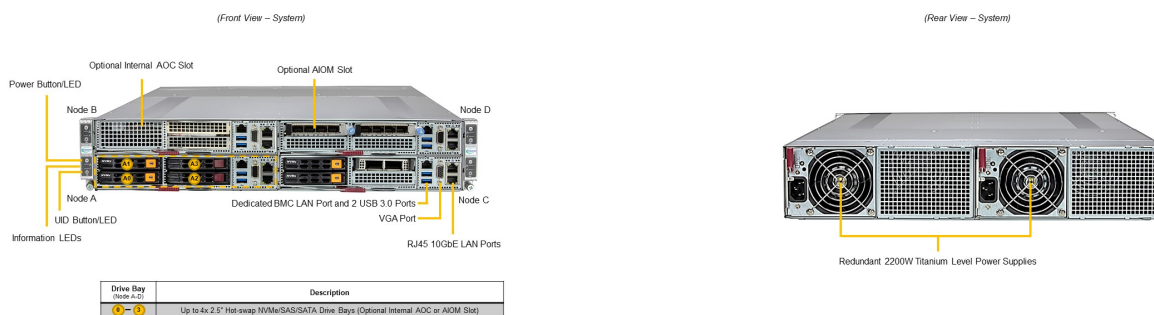
Option A*
 • 1 PCIe 5.0 x16 AIOM slot (OCP 3.0 compatible)

On-Board Devices

SAS: SAS (12Gbps) via Broadcom® 3808; (IT mode)
 Network Connectivity: Via IO Module

Input / Output

LAN: 1 RJ45 1 GbE Dedicated BMC LAN port
 USB: 2 USB 3.0 ports
 Video: 1 VGA port



System Cooling	Fans: Up to 2x 16K RPM Heavy Duty 8cm Fan(s)
Power Supply	1x 2200W Redundant Titanium Level (96%) power supply
System BIOS	BIOS Type: AMI 32MB Flash ROM
Management	SuperCloud Composer® (SCC); Supermicro Server Manager (SSM); Supermicro Update Manager (SUM); Supermicro SuperDoctor® 5 (SD5); Super Diagnostics Offline (SDO); Supermicro Thin-Agent Service (TAS); SuperServer Automation Assistant (SAA) New!
PC Health Monitoring	CPU: 8+4 Phase-switching voltage regulator Monitors for CPU Cores, Chipset Voltages, Memory. Fan: Fans with tachometer monitoring Pulse Width Modulated (PWM) fan connectors Status monitor for speed control Temperature: Monitoring for CPU and chassis environment
Dimensions and Weight	Weight: Gross Weight: 88 lbs (39.9 kg) Net Weight: 68 lbs (30.8 kg) Available Color: Silver
Operating Environment	RoHS Compliant Operating Temperature: 5°C to 40°C (41°F to 104°F) Non-operating Temperature: -30°C to 60°C (-22°F to 140°F) Operating Relative Humidity: 8% to 80% (non-condensing) Non-operating Relative Humidity: 8% to 90% (non-condensing)
Motherboard	Super X13SET-GC
Chassis	CSE-GT214BF-R2K21BP2