

BigTwin SuperServer SYS-221BT-DNTR

2U 2-Node BigTwin with 12 hot-swap 2.5" NVMe/SATA drives per node



More details here

Key Applications

High-Performance File System, Diskless HPC Clusters, Scale Out All-Flash NVMe Storage, Big Data Analytics and AI,

Key Features

- Two **hot-pluggable** systems (nodes) in a 2U form factor. Each node supports the following;;
- Socket E (LGA 4677) support 5th/4th Gen Intel® Xeon® Scalable processors;
- Intel® C741;
- 16 DIMM Slots supporting up to 4TB of memory; ECC RDIMMs up to DDR5-5600;
- Internal PCIe 4.0 x8 for 2 M.2 NVMe support onboard
1 PCIe 5.0 x16 (LP) slot; 2 PCIe 5.0 x8 (LP) slot; Tool-less support
Optional M.2 (22x80) HW RAID1 NVMe Boot Controller via SCC-A2NM2241G3-B1;
- Network connectivity via AIOM (OCP 3.0 compliant);
- 12 hot-Swap 2.5" drive bays (2x PCIe 5.0 NVMe/SATA and 10x PCIe 4.0 NVMe/SATA);
- Liquid Cooling Support
4 cooling fans per 2U enclosure, 16.5K RPM; Shared Cooling Design;
- 2200W Redundant Power Supplies Titanium Level (96%+); Shared Power



Form Factor

2U Rackmount
Enclosure: 449 x 88 x 730mm (17.68" x 3.47" x 28.75")
Package: 626 x 248 x 1150mm (24.65" x 9.76" x 45.28")

Processor

Dual Socket E (LGA-4677)
5th Gen Intel® Xeon®/4th Gen Intel® Xeon® Scalable processors
Supports Intel Xeon CPU Max Series with high bandwidth memory (HBM)
Up to 64C/128T; Up to 320MB Cache per CPU

GPU

Up to 1 double-width or 1 single-width GPU

System Memory

Slot Count: 16 DIMM slots
Max Memory (1DPC): Up to 4TB 5600MT/s ECC DDR5 RDIMM

Drive Bays Configuration

Default: Total 12 bays

- 2 front hot-swap 2.5" PCIe 5.0 NVMe/SATA drive bays
- 10 front hot-swap 2.5" PCIe 4.0 NVMe/SATA drive bays

M.2: 2 M.2 PCIe 4.0 x4 NVMe slots (M-key 22110(default); VROC required for RAID)

Expansion Slots

Default

- 2 PCIe 5.0 x8 LP slots
- 1 PCIe 5.0 x16 LP slot
- 1 PCIe 5.0 x16 AIOM slot (OCP 3.0 compatible)

Option A

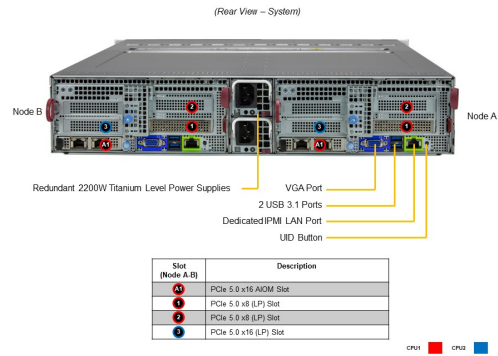
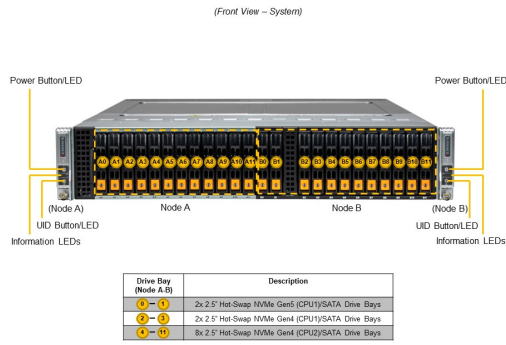
- 1 PCIe 4.0 x16 FHFL slot
- 1 PCIe 5.0 x16 LP slot

On-Board Devices

Via AIOM

Input / Output

LAN: 1 RJ45 1 GbE Dedicated BMC LAN port
USB: 2 USB 3.0 Gen2 Type-A ports(Rear)
Video: 1 VGA port



System Cooling	Fans: Up to 4x 16.5K RPM Heavy Duty 8cm Fan(s) Air Shroud: 2 Air Shrouds Liquid Cooling: Direct to Chip (D2C) Cold Plate (optional)
Power Supply	2x 2200W Redundant (1 + 1) Titanium Level (96%) power supplies
System BIOS	BIOS Type: AMI 32MB Flash ROM
Management	SuperCloud Composer®; Supermicro Server Manager (SSM); Supermicro Update Manager (SUM); Supermicro SuperDoctor® 5 (SD5); Super Diagnostics Offline (SDO); Supermicro Thin-Agent Service (TAS); SuperServer Automation Assistant (SAA) New!
PC Health Monitoring	CPU: 8+4 Phase-switching voltage regulator Monitors for CPU Cores, Chipset Voltages, Memory. FAN: Fans with tachometer monitoring Pulse Width Modulated (PWM) fan connectors Status monitor for speed control Temperature: Monitoring for CPU and chassis environment
Dimensions and Weight	Weight: Gross Weight: 80.7 lbs (36.6 kg) Net Weight: 55.1 lbs (25 kg) Available Color: Black front & silver body
Operating Environment	RoHS Compliant Operating Temperature: 10°C to 35°C (50°F to 95°F) Non-operating Temperature: -30°C to 60°C (-22°F to 140°F) Operating Relative Humidity: 8% to 80% (non-condensing) Non-operating Relative Humidity: 8% to 90% (non-condensing)
Motherboard	Super X13DET-B
Chassis	CSE-217BD2-R2K22P