

Mainstream SuperServer SYS-221P-C9R

2U Mainstream with 5 PCIe 5.0 slots and dual 1GbE LAN



More details here

Key Applications

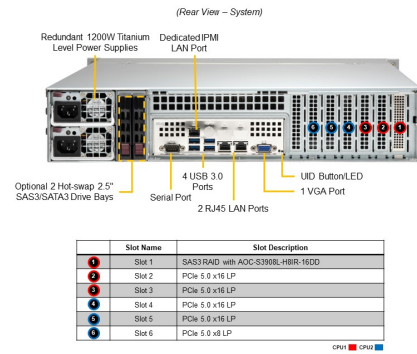
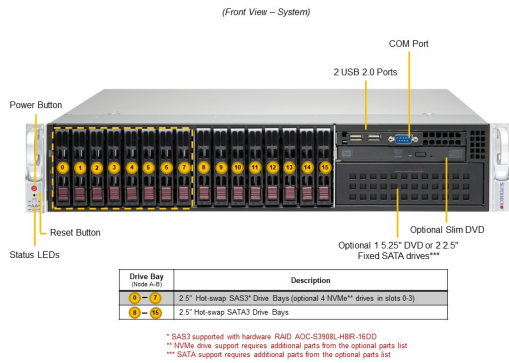
Virtualization, Enterprise Server, Application and data serving, Compute Intensive Applications,

Key Features

- Dual Socket E (LGA-4677) 5th/4th Gen Intel® Xeon® Scalable processors, supports up to 300W TDP;
- 16 DIMM slots, Up to 4TB DDR5-5600MHZ/4800MHz ECC Registered RDIMM;
- 4 PCIe 5.0 x16 Low Profile (LP), 1 PCIe 5.0 x8 Low Profile (LP);
- 16 hotswap 2.5" drive bays with 8 SAS RAID (0, 1, 5, 6, 10, 50, 60) and 8 SATA drive support;
- 1200W Redundant Titanium level Power Supplies;



Form Factor	2U Rackmount Enclosure: 437 x 89 x 630mm (17.2" x 3.5" x 24.8") Package: 737 x 279 x 983mm (29" x 11" x 38.7")
Processor	Dual Socket E (LGA-4677) 5th Gen Intel® Xeon®/4th Gen Intel® Xeon® Scalable processors
System Memory	Slot Count: 16 DIMM slots Max Memory (1DPC): Up to 4TB 5600MT/s ECC DDR5 RDIMM
Drive Bays Configuration	Default: Total 16 bays <ul style="list-style-type: none"> • 4 front hot-swap 2.5" NVMe*/SAS/SATA drive bays • 4 front hot-swap 2.5" SAS/SATA drive bays • 8 front hot-swap 2.5" SAS*/SATA drive bays (*NVMe/SAS support may require additional storage controller and/or cables) M.2: 2 M.2 NVMe slots (M-key) Peripheral Bays: 1 slim DVD bay (optional)
Expansion Slots	PCI-Express (PCIe) Configuration: Default <ul style="list-style-type: none"> • 4 PCIe 5.0 x16 LP slots • 1 PCIe 5.0 x8 LP slot M.2: 2 M.2 PCIe 4.0 x2 NVMe slots (M-key)
On-Board Devices	2 RJ45 1GbE
Input / Output	LAN: 1 RJ45 1 GbE Dedicated BMC LAN port USB: 2 USB 2.0 ports(front) 4 USB 3.0 ports(rear) Video: 1 VGA port Serial: 1 COM port(Rear) 1 COM port(Front) DOM: 2 SuperDOM (Disk on Module) ports TPM: 1 TPM Onboard/port 80



System Cooling	Fans: Up to 3x 8cm heavy duty fans with optimal fan speed control
Power Supply	2x 1200W Redundant (1 + 1) Titanium Level (96%) Hot-plug power supplies
System BIOS	BIOS Type: AMI 32MB SPI Flash EEPROM
Management	SuperCloud Composer [®] ; Supermicro Server Manager (SSM); Supermicro Update Manager (SUM); Supermicro SuperDoctor [®] 5 (SD5); Super Diagnostics Offline (SDO); Supermicro Thin-Agent Service (TAS); SuperServer Automation Assistant (SAA) New!
PC Health Monitoring	CPU: Monitors for CPU Cores, Chipset Voltages, Memory FAN: Fans with tachometer monitoring Pulse Width Modulated (PWM) fan connectors Status monitor for speed control Temperature: Monitoring for CPU and chassis environment Thermal Control for fan connectors
Dimensions and Weight	Weight: Gross Weight: 63 lbs (28.8 kg) Net Weight: 38 lbs (17.4 kg) Available Color: Black
Operating Environment	RoHS Compliant Operating Temperature: 10°C to 35°C (50°F to 95°F) Non-operating Temperature: -30°C to 60°C (-22°F to 140°F) Operating Relative Humidity: 8% to 80% (non-condensing) Non-operating Relative Humidity: 8% to 90% (non-condensing)
Motherboard	Super X13DEI
Chassis	CSE-213BTS-R1K23LPBP3-1