

GPU SuperServer SYS-222GS-NB3OT-ALC

DP Intel 2-OU (OCP ORV3) Liquid-Cooled System with NVIDIA HGX B300 8-GPU (complete rack and onsite service are required)



Key Applications

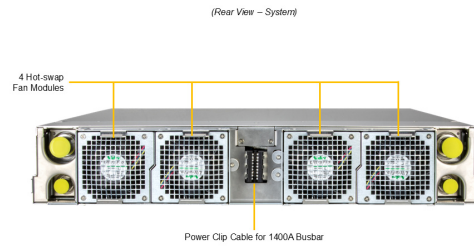
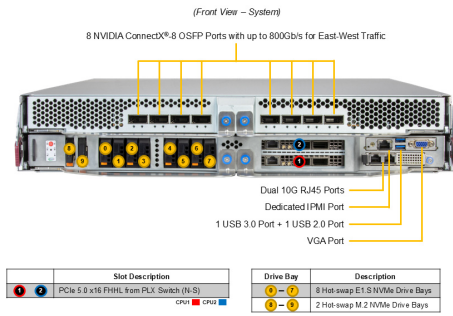
HPC, AI/Deep Learning Training, Artificial Intelligence, Deep Learning Inference, LLMs & Multi-modal LLMs,

Key Features

- 21" OCP ORV3 Rack compatible, 1400A busbar with power shelves, DC-SCM Support;
- Dual Intel® Xeon® 6700 series processors with P-cores, up to 350W TDP;
- NVIDIA HGX B300 8-GPU with 5th Generation NVLink® 1.8TB/s, 2.3TB of HBM3e GPU memory per system;
- 8x NVIDIA ConnectX®-8 SuperNICs, up to 800Gb/s, up to two NICs for North/South traffic;
- 32x DIMMs with up to 8TB at 5200MT/s or up to 4TB at 6400MT/s DDR5 RDIMM;
- 8x Hot-swap E1.S NVMe storage drive bays and 2x M.2 NVMe boot drives;
- 2x 10GbE RJ45 via AIOM card;



Form Factor	2-OU Rackmount Enclosure: 537 x 94 x 805mm (21.1" x 3.7" x 31.69") Package: 730 x 325 x 1280mm (28.74" x 12.79" x 50.39")
Processor	Dual Socket E2 (LGA-4710) Intel® Xeon® 6700-series processors with P-cores Up to 86C/172T; Up to 335MB Cache per CPU
GPU	Max GPU Count: 8 onboard GPUs Supported GPU: NVIDIA SXM: HGX B300 8-GPU (288GB) CPU-GPU Interconnect: PCIe 5.0 x16 CPU-to-GPU Interconnect GPU-GPU Interconnect: NVIDIA® NVLink™ with NVSwitch™
System Memory	Slot Count: 32 DIMM slots Max Memory (1DPC): Up to 4TB 6400MT/s ECC DDR5 RDIMM Max Memory (2DPC): Up to 8TB 5200MT/s ECC DDR5 RDIMM
Drive Bays Configuration	Default: Total 8 bays • 8 front hot-swap E1.S NVMe drive bays M.2: 2 M.2 NVMe slots (M-key; RAID support via S3808N controller)
Expansion Slots	Default • 2 PCIe 5.0 x16 (in x16) FHHL slots
Input / Output	LAN: 2 RJ45 10 GbE LAN ports (Intel® X710) 8 OSFP 800 Gb/s InfiniBand LAN ports (NVIDIA ConnectX®-8 SuperNIC) 1 RJ45 1 GbE Dedicated BMC LAN port (ASPEED AST2600) (via DC-SCM) Video: 1 VGA port(Front) TPM: 1 TPM header



System Cooling	Fans: Up to 4 Fan 80mm Fan(s) Up to 4 Fan 40mm Fan(s) Air Shroud: 3 Air Shrouds Liquid Cooling: Direct to Chip (D2C) Cold Plate
Power Supply	0: Power via Busbar (48-52V DC)
System BIOS	BIOS Type: AMI 64MB UEFI
Management	SuperCloud Composer®; Supermicro Server Manager (SSM); Super Diagnostics Offline (SDO); Supermicro Thin-Agent Service (TAS); SuperServer Automation Assistant (SAA) New!
PC Health Monitoring	CPU: Monitors for CPU Cores, Chipset Voltages, Memory FAN: Fans with tachometer monitoring Pulse Width Modulated (PWM) fan connectors Status monitor for speed control Temperature: Monitoring for CPU and chassis environment Thermal Control for fan connectors
Dimensions and Weight	Weight: Gross Weight: 176 lbs (80 kg) Net Weight: 154 lbs (70 kg) Available Color: Silver
Operating Environment	Operating Temperature: 10°C to 35°C (50°F to 95°F) Non-operating Temperature: -40°C to 60°C (-40°F to 140°F) Operating Relative Humidity: 8% to 90% (non-condensing) Non-operating Relative Humidity: 5% to 95% (non-condensing)
Motherboard	Super X14DBG-LC2
Chassis	CSE-GP202TS-000NP