

GPU SuperServer SYS-421GE-TNRT

DP Intel 4U Dual-Root PCIe GPU System with up to 10 GPUs



[More details here](#)

Key Applications

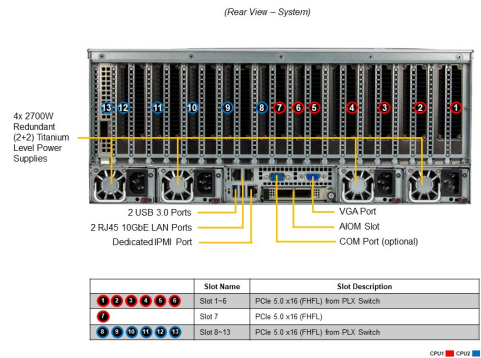
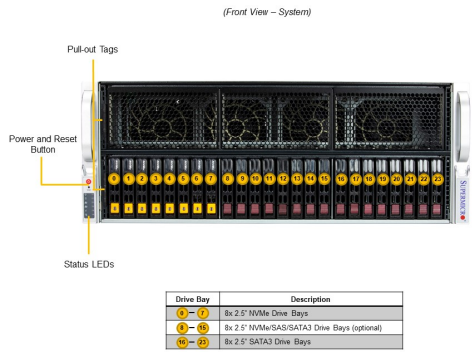
High Performance Computing, VDI, AI/Deep Learning Training, Media/Video Streaming, Cloud Gaming, Animation and Modeling, Design & Visualization, 3D Rendering, Diagnostic Imaging,

Key Features

- 5th/4th Gen Intel® Xeon® Scalable processor support;
- 32 DIMM slots Up to 8TB: 32x 256 GB DRAM Memory Type: 5600MTs ECC DDR5;
- AIOM/OCF 3.0 Support
13 PCIe Gen 5.0 X16 FHFL Slots;
- 8x HOT SWAP 2.5" SATA/SAS (AOC required)
8x 2.5" Hot-swap SATA drive bays
8x2.5" Hot-swap NVMe drive bays;
- 8 Hot-Swap Heavy Duty Fans with Optimal Fan Speed Control;
- 4x 2700W (2+2) Redundant Power Supplies, Titanium Level;



Form Factor	4U Rackmount Enclosure: 437 x 178 x 737mm (17.2" x 7" x 29") Package: 685 x 675 x 1041mm (27" x 26.57" x 41")
Processor	Dual Socket E (LGA-4677) 5th Gen Intel® Xeon® / 4th Gen Intel® Xeon® Scalable processors Up to 64C/128T; Up to 320MB Cache per CPU
GPU	Max GPU Count: Up to 10 double-width or 10 single-width GPUs Supported GPU: NVIDIA PCIe: H100, L40, RTX A4000, RTX 6000 Ada Generation, L40S, A100, A10 Intel PCIe: Data Center GPU Max 1100 CPU-GPU Interconnect: PCIe 5.0 x16 Switch Dual-Root GPU-GPU Interconnect: NVIDIA® NVLink® Bridge (optional), Intel® Xe Link Bridges
System Memory	Slot Count: 32 DIMM slots Max Memory (1DPC): Up to 4TB 5600MT/s ECC RDIMM Max Memory (2DPC): Up to 8TB 4400MT/s ECC DDR5 RDIMM
Drive Bays Configuration	Default: Total 16 bays <ul style="list-style-type: none"> • 8 front hot-swap 2.5" NVMe drive bays • 8 front hot-swap 2.5" SATA drive bays Option A: Total 24 bays <ul style="list-style-type: none"> • 8 front hot-swap 2.5" NVMe drive bays • 8 front hot-swap 2.5" NVMe* drive bays • 8 front hot-swap 2.5" SATA drive bays (*NVMe support may require additional storage controller and/or cables, please see the optional parts list for details) M.2: 2 M.2 NVMe slots (M-key)
Expansion Slots	Default <ul style="list-style-type: none"> • 13 PCIe 5.0 x16 FHFL slots
On-Board Devices	Chipset: Intel® C741 Network Connectivity: 2 RJ45 10GbE with Intel® X710-AT2
Input / Output	1 VGA port(s)



System Cooling Fans: 8 heavy duty fans with optimal fan speed control
Liquid Cooling: Direct to Chip (D2C) Cold Plate (optional)

Power Supply 4x 2700W Redundant Titanium Level (96%) power supplies

System BIOS BIOS Type: AMI 32MB SPI Flash EEPROM

Management SuperCloud Composer; Supermicro Server Manager (SSM); Supermicro Update Manager (SUM); Supermicro SuperDoctor® 5 (SD5); Super Diagnostics Offline (SDO); Supermicro Thin-Agent Service (TAS); SuperServer Automation Assistant (SAA) New!

PC Health Monitoring
 CPU: Monitors for CPU Cores, Chipset Voltages, Memory
 8+4 Phase-switching voltage regulator
 FAN: Fans with tachometer monitoring
 Status monitor for speed control
 Pulse Width Modulated (PWM) fan connectors
 Temperature: Monitoring for CPU and chassis environment
 Thermal Control for fan connectors

Dimensions and Weight Weight: Gross Weight: 100 lbs (45.3 kg)
 Net Weight: 65.5 lbs (29.7 kg)
 Available Color: Black Front & Silver Body

Operating Environment Operating Temperature: 10°C ~ 35°C (50°F ~ 95°F)
 Non-operating Temperature: -40°C to 60°C (-40°F to 140°F)
 Operating Relative Humidity: 8% to 90% (non-condensing)
 Non-operating Relative Humidity: 5% to 95% (non-condensing)

Motherboard [Super X13DEG-OA](#)

Chassis CSE-418G2TS-R5K40P