



MBB-CMM-6 BLADE MODULE BOARD

USER'S GUIDE

Revision 1.0b

The information in this user's manual has been carefully reviewed and is believed to be accurate. The manufacturer assumes no responsibility for any inaccuracies that may be contained in this document, and makes no commitment to update or to keep current the information in this manual, or to notify any person or organization of the updates. **Please Note: For the most up-to-date version of this manual, please see our website at www.supermicro.com.**

Super Micro Computer, Inc. ("Supermicro") reserves the right to make changes to the product described in this manual at any time and without notice. This product, including software and documentation, is the property of Supermicro and/or its licensors, and is supplied only under a license. Any use or reproduction of this product is not allowed, except as expressly permitted by the terms of said license.

IN NO EVENT WILL Super Micro Computer, Inc. BE LIABLE FOR DIRECT, INDIRECT, SPECIAL, INCIDENTAL, SPECULATIVE OR CONSEQUENTIAL DAMAGES ARISING FROM THE USE OR INABILITY TO USE THIS PRODUCT OR DOCUMENTATION, EVEN IF ADVISED OF THE POSSIBILITY OF SUCH DAMAGES. IN PARTICULAR, SUPER MICRO COMPUTER, INC. SHALL NOT HAVE LIABILITY FOR ANY HARDWARE, SOFTWARE, OR DATA STORED OR USED WITH THE PRODUCT, INCLUDING THE COSTS OF REPAIRING, REPLACING, INTEGRATING, INSTALLING OR RECOVERING SUCH HARDWARE, SOFTWARE, OR DATA.

Any disputes arising between manufacturer and customer shall be governed by the laws of Santa Clara County in the State of California, USA. The State of California, County of Santa Clara shall be the exclusive venue for the resolution of any such disputes. Supermicro's total liability for all claims will not exceed the price paid for the hardware product.

FCC Statement: This equipment has been tested and found to comply with the limits for a Class A digital device pursuant to Part 15 of the FCC Rules. These limits are designed to provide reasonable protection against harmful interference when the equipment is operated in industrial environment. This equipment generates, uses, and can radiate radio frequency energy and, if not installed and used in accordance with the manufacturer's instruction manual, may cause harmful interference with radio communications. Operation of this equipment in a residential area is likely to cause harmful interference, in which case you will be required to correct the interference at your own expense.

California Best Management Practices Regulations for Perchlorate Materials: This Perchlorate warning applies only to products containing CR (Manganese Dioxide) Lithium coin cells. "Perchlorate Material-special handling may apply. See www.dtsc.ca.gov/hazardouswaste/perchlorate".



WARNING: This product can expose you to chemicals including lead, known to the State of California to cause cancer and birth defects or other reproductive harm. For more information, go to www.P65Warnings.ca.gov.

The products sold by Supermicro are not intended for and will not be used in life support systems, medical equipment, nuclear facilities or systems, aircraft, aircraft devices, aircraft/emergency communication devices or other critical systems whose failure to perform be reasonably expected to result in significant injury or loss of life or catastrophic property damage. Accordingly, Supermicro disclaims any and all liability, and should buyer use or sell such products for use in such ultra-hazardous applications, it does so entirely at its own risk. Furthermore, buyer agrees to fully indemnify, defend and hold Supermicro harmless for and against any and all claims, demands, actions, litigation, and proceedings of any kind arising out of or related to such ultra-hazardous use or sale.

Manual Revision 1.0b

Release Date: July 25, 2025

Unless you request and receive written permission from Super Micro Computer, Inc., you may not copy any part of this document. Information in this document is subject to change without notice. Other products and companies referred to herein are trademarks or registered trademarks of their respective companies or mark holders.

Copyright © 2025 by Super Micro Computer, Inc.

All rights reserved.

Printed in the United States of America

Preface

About this User's Guide

This user's guide is written for system integrators, IT technicians, and knowledgeable end users. It provides information for the installation and use of the MBB-CMM-6 blade module board upon which the Supermicro MBM-CMM-6 Chassis Management Module (CMM) is built.

About the MBB-CMM-6 Module

The Supermicro MBB-CMM-6 board supports the ASpeed AST2600 Base Management Controller (BMC). Built with the Microsemi switching chip VSC7546, the MBB-CMM-6 board provides support for Micro SD cards (in hardware enhancement) and up to 56-node BMC connections. Unleashing the unparalleled system management capabilities encapsulated in the AST2600 BMC in conjunction with the tremendous Networking capacity provided by the Intel PHY chip, this module board enables the MBM-CMM-6 blade module to offer an unprecedented web-based system management utility for blade system optimization, health monitoring, and system management including future staging, deployment, and out-of-band BIOS or BMC updates (per enclosure). The MBB-CMM-6 is optimized for local and remote system management for MicroBlade/SuperBlade platforms with Super Front Input/Output support. It is ideal for use in Qualcomm, ASML, and Osaka computer systems. Note that this module is intended to be installed and serviced by professional technicians only. For processor/memory updates, refer to our website at <http://www.supermicro.com/products/>.

An Important Note to the User

All graphic images and layout drawings shown in this user's guide are based upon the latest PCB revision available at the time of publishing this user's guide. The add-on card you have received may or may not look exactly the same as the graphics shown in this user's guide.

Returning Merchandise for Service

A receipt or copy of your invoice marked with the date of purchase is required before any warranty service will be rendered. You can obtain service by calling your vendor for a Returned Merchandise Authorization (RMA) number. When returning to the manufacturer, the RMA number should be prominently displayed on the outside of the shipping carton and mailed prepaid or hand-carried. Shipping and handling charges will be applied for all orders that must be mailed when service is complete. For faster service, RMA authorizations may be requested online (<http://www.supermicro.com/support/rma/>).

This warranty only covers normal consumer use and does not cover damages incurred in shipping or from failure due to the alteration, misuse, abuse, or improper maintenance of products.

During the warranty period, contact your distributor first for any product problems.

Conventions Used in the User's Guide

Special attention should be given to the following symbols for proper installation and to prevent damage done to the components or injury to yourself:



Warning! Indicates important information given to prevent equipment/property damage or personal injury.



Warning! Indicates high voltage may be encountered while performing a procedure.



Note: Additional Information given to differentiate between various models or to provide information for proper system setup.

Important Links

For your system to work properly, follow the links to download all necessary drivers/utilities and the user's manual for your server.

- Supermicro product manuals: <http://www.supermicro.com/support/manuals/>
- Product drivers and utilities: <https://www.supermicro.com/wdl/driver>
- Product safety info: http://www.supermicro.com/about/policies/safety_information.cfm
- A secure data deletion tool designed to fully erase all data from storage devices can be found at our website: https://www.supermicro.com/about/policies/disclaimer.cfm?url=/wdl/utility/Lot9_Secure_Data_Deletion_Utility/
- If you have any questions, contact our support team at: support@supermicro.com
- Frequently Asked Questions: <https://www.supermicro.com/FAQ/index.php>
- If you have any feedback on Supermicro product manuals, contact our writing team at: Techwriterteam@supermicro.com

This manual may be periodically updated without notice. Check the Supermicro website for possible updates to the manual revision level.

Contacting Supermicro

Headquarters

Address: Super Micro Computer, Inc.
980 Rock Ave.
San Jose, CA 95131 U.S.A.

Tel: +1 (408) 503-8000

Fax: +1 (408) 503-8008

Email: Marketing@supermicro.com (General Information)
Sales-USA@supermicro.com (Sales Inquiry: Non-Government)
Government_Sales-USA@supermicro.com (Sales Inquiry: Government)
Support@supermicro.com (Technical Support)
RMA@supermicro.com (RMA Support)

Website: www.supermicro.com

Europe

Address: Super Micro Computer B.V.
Het Sterrenbeeld 28, 5215 ML
's-Hertogenbosch, The Netherlands

Tel: +31 (0) 73-6400390

Fax: +31 (0) 73-6416525

Email: Sales_Europe@supermicro.com (General Information)
Support_Europe@supermicro.com (Technical Support)
RMA_Europe@supermicro.com (RMA Support)

Website: www.supermicro.nl

Asia-Pacific

Address: Super Micro Computer, Inc.
3F, No. 150, Jian 1st Rd.
Zhonghe Dist., New Taipei City 235
Taiwan (R.O.C)

Tel: +886-(2) 8226-3990

Fax: +886-(2) 8226-3992

Email: Sales-Asia@supermicro.com.tw (Sales Inquiry)
Support@supermicro.com.tw (Technical Support)
RMA@supermicro.com.tw (RMA Support)

Website: www.supermicro.com.tw

Table of Contents

Chapter 1 Introduction

| | |
|---|----|
| 1.1 MBB-CMM-6 Blade Module Board Overview..... | 7 |
| 1.2 MBB-CMM-6 Board Quick Reference | 10 |
| 1.3 MBB-CMM-6 Blade Module Board Hardware Features..... | 12 |
| 1.4 MicroBlade Chassis Management Module Diagram..... | 14 |
| 1.5 Chassis Management Module (CMM) Firmware Features | 15 |
| 1.6 Network Connection/Login | 18 |

Chapter 2 Installation

| | |
|--|----|
| 2.1 Static-Sensitive Devices..... | 22 |
| 2.2 CMM Blade Module Board Installation..... | 23 |
| 2.3 Connectors and Headers | 26 |
| 2.4 Jumper Settings | 31 |
| 2.5 LED Indicators..... | 33 |

Chapter 3 Troubleshooting

| | |
|--|----|
| 3.1 Troubleshooting Procedures | 38 |
| 3.2 Technical Support Procedures | 40 |
| 3.3 Battery Removal and Installation | 40 |

Appendix A Standardized Warning Statements

Appendix B CMM Redfish API

Chapter 1

Introduction

Congratulations on purchasing your blade module board from an industry leader. The MBB-CMM-6 module board is designed to provide you with the highest standards in quality and performance for use in a Supermicro proprietary blade server module as a part of an integrated system management solution. This module board will not be shipped as a standalone product, and no shipping package will be provided.

1.1 MBB-CMM-6 Blade Module Board Overview

The MBB-CMM-6 is a Chassis Management module (CMM) board especially designed for the MBM-CMM-6 blade module, which is used in Supermicro blade servers to provide a Web-based management utility for the user to consolidate and simplify system management using the Supermicro Blade System CMM platform. The CMM blade module aggregates and displays data for a remote user interface through a Supermicro-proprietary BMC card that is designed for use in the Supermicro Blade System CMM Chassis Management Module (SIMCM).

The MBM-CMM-6 blade module, which is built upon the MBB-CMM-6 board, offers the following key features:

- It allows IT administrators to view the hardware configuration and system status information of a remote server through a single-page online interface.
- It provides an OS-independent remote display console for system servicing.
- It allows the user to map and share data stored in a local machine with another user online through a shared network drive that is connected to a blade server.

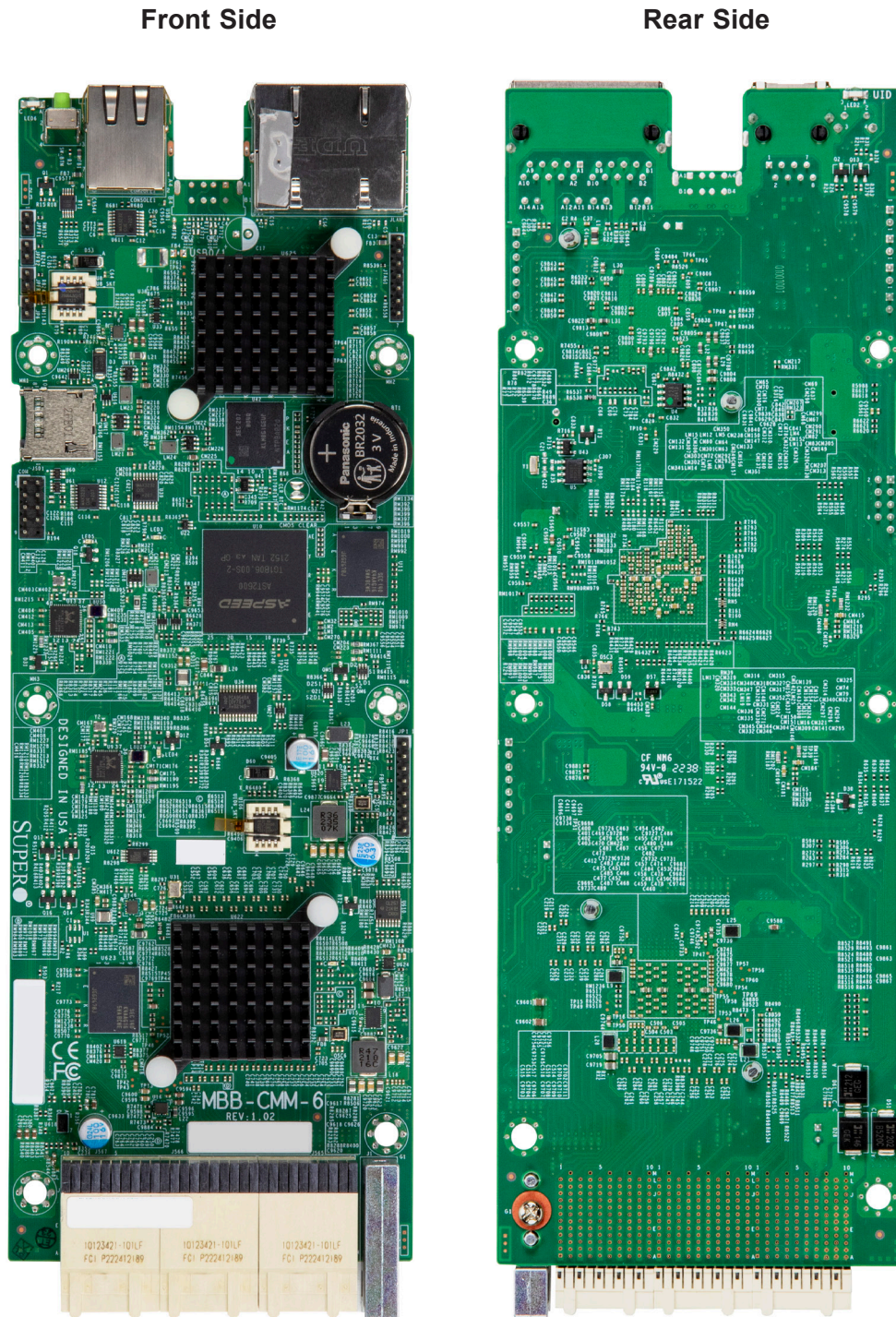


Figure 1-1: MBB-CMM-6 Module Board Image

Note: All graphics shown in this user's guide were based upon the latest PCB revision available at the time of publication of this user's guide. The module that you received may or may not look exactly the same as the graphics shown in the user's guide.

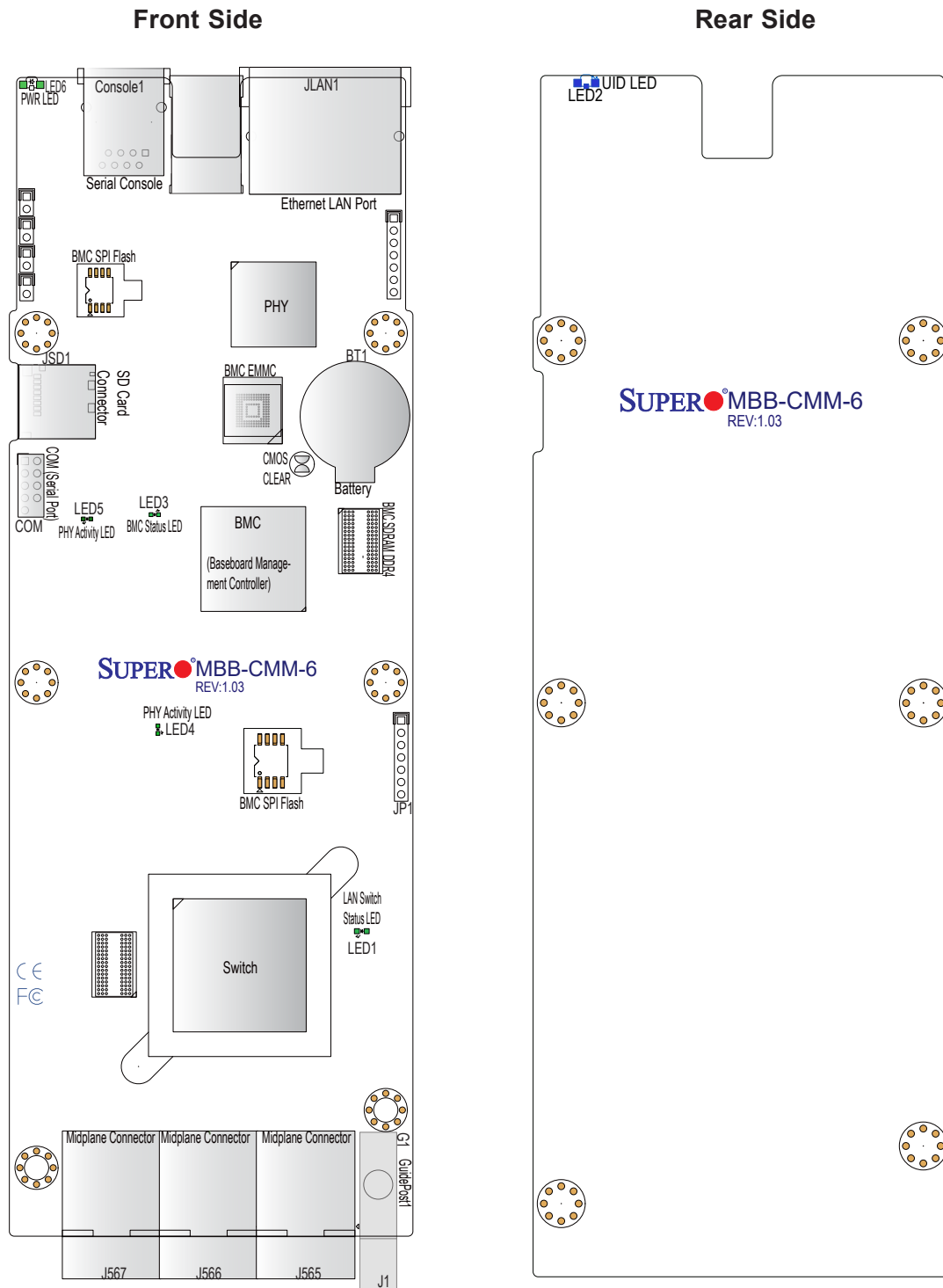


Figure 1-2: MBB-CMM-6 Blade Module Board Layout
(not drawn to scale)



Notes:

- Components that are not documented are used for testing only.
- Use only the correct type of onboard CMOS battery as specified by the manufacturer. Do not install the onboard battery upside down to avoid a possible explosion.

1.2 MBB-CMM-6 Board Quick Reference

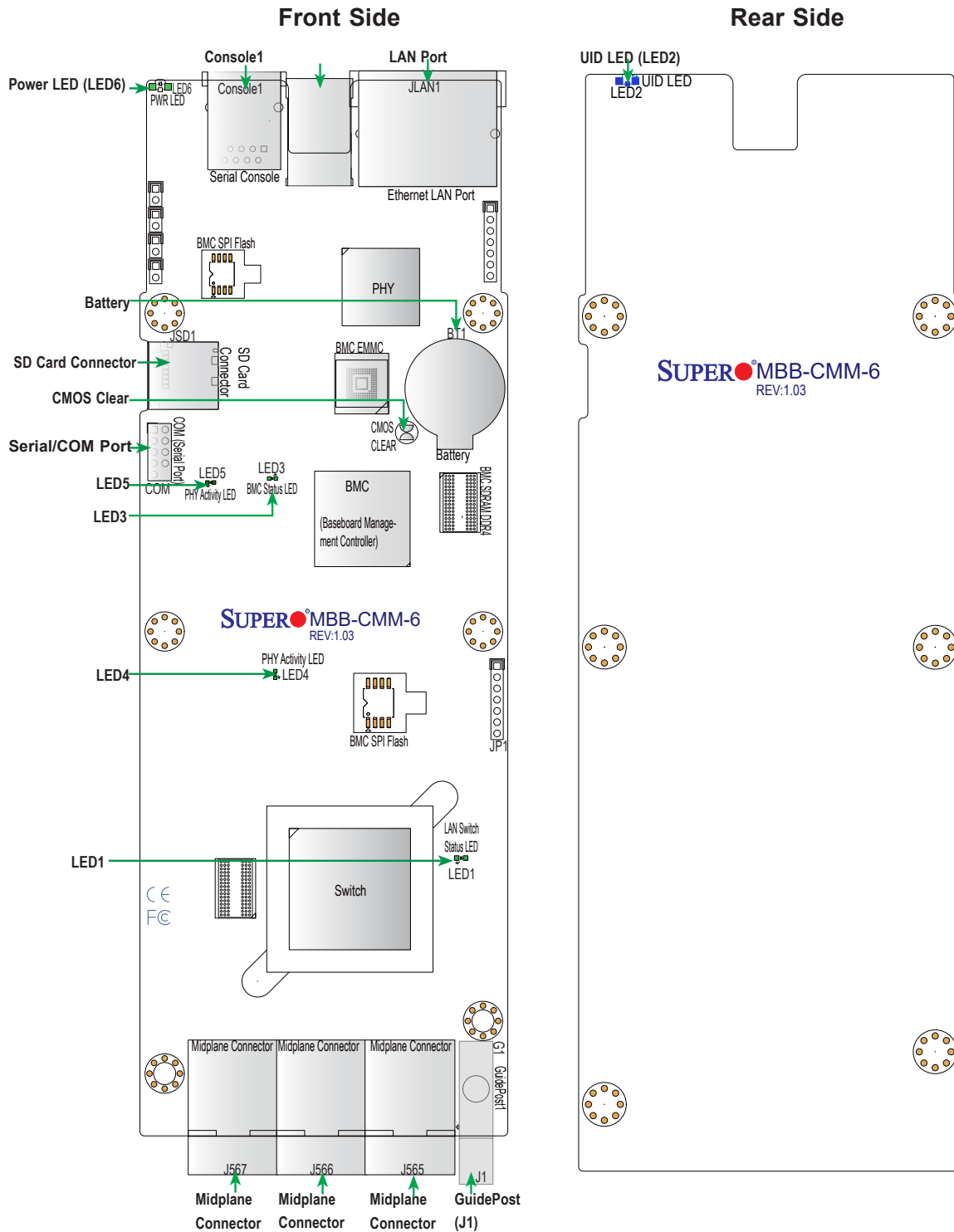


Figure 1-3: MBB-CMM-6 Blade Module Board Marked Layout



Note: Components not documented are for internal testing only.

Quick Reference Table

| Jumper | Description | Jumper Setting (Default) |
|------------|---------------------|--------------------------|
| CMOS Clear | Clear CMOS Settings | Open (Normal) |

| LED | Description | Status |
|------|---------------------------|--|
| LED1 | LAN Switch Status LED | Green Blinking: Ethernet LAN connection is normal (active) |
| LED2 | Unit Identifier (UID) LED | Blue Blinking: A unit (or a rack server) that may be in need of service is identified |
| LED3 | BMC Status LED | Green Blinking: BMC Reset working normally; Green Solid On: During a cold boot or during BMC Reset (to manufacturer's defaults) |
| LED4 | PHY Activity LED | Green Blinking: PHY Active |
| LED5 | PHY Activity LED | Green Blinking: PHY Active |
| LED6 | Module Power Status LED | Green (Solid) On: Power ready for use (for devices installed on the module board) |

| Connector | Description |
|----------------|------------------------------------|
| BT1 | Onboard CMOS battery |
| COM | Serial/COM port |
| Console 1 | UART port |
| J1 (G1) | GuidePost 1 |
| J565/J566/J567 | Midplane connectors |
| JLAN1 | 1 GbE Ethernet LAN port |
| JSD1 | SD card connector used for devices |



Notes:

- Components that are not documented are used for testing only.
- Use only the correct type of onboard CMOS battery as specified by the manufacturer. Do not install the onboard battery upside down to avoid a possible explosion.
- For BMC configuration instructions, refer to the Embedded BMC Configuration User's Guide available at <http://www.supermicro.com/support/manuals/>.

1.3 MBB-CMM-6 Blade Module Board Hardware Features

| MBB-CMM-6 Blade Module Board Features |
|--|
| <p>Chips Supported</p> <ul style="list-style-type: none"> • Supports ASpeed AST2600 Baseboard Management Controller (BMC) • Supports Microsemi switching chip (VSC7546) |
| <p>BMC Connection</p> <ul style="list-style-type: none"> • Supports up to 56-node BMC connection |
| <p>Enhancement</p> <ul style="list-style-type: none"> • AST2600 BMC support • Microsemi switching chip (VSC7546) support • SD card in hardware enhancement • Capable of supporting up to 56-node BMC connection • Ability to stage, deploy, and schedule (out-of-band) BIOS and BMC updates per enclosure |
| <p>Firmware Scheduled Update</p> <ul style="list-style-type: none"> • Out-of-band BIOS and BMC pre-scheduled updates • Clear CMOS support |
| <p>Firmware Support</p> <ul style="list-style-type: none"> • Web GUI support • BMC: RMCP/Redfish support • System/Temperature/Power Monitoring and Records • Event log and Syslog (System log) • LAN Alert-SNMP Trap • iKVM • HTML5 • SOL • NTP • RADIUS • CMM Discovery • Redundancy support |
| <p>Firmware Integrity/System Management</p> <ul style="list-style-type: none"> • Remote and local MicroBlade/SuperBlade system management |
| <p>Environmental Specification</p> <ul style="list-style-type: none"> • Operating Temperature: 10°C to 35°C (50°F to 95°F) • Non-operating Temperature: -40°C to 60°C (-40°F to 140°F) • Operating Relative Humidity: 8% to 90% (Non-Condensing) • Non-Operating Relative Humidity: 5% to 95% (Non-condensing) |

I/O Ports/Connections

- One 1 GbE Ethernet LAN port (JLAN1)
- One dedicated BMC port with support for RJ45
- One USB connector (JUSB1)
- COM port
- UART connection (Console1)
- Unit Identifier (UID)/BMC Reset switch
- Front access support
- Signed firmware

Storage Device

- SD Card support (JSD1) in hardware enhancement

LED Indicators

- LAN Switch Status LED (LED1)
- BMC Status/BMC Reset LED (LED3)
- Unit Identifier (UID) LED indicator (LED2)
- Module Power Status LED (LED6)
- PHY (LAN) activity LEDs (LED4, LED5)

Dimensions

- 3.20" x 9.40" (81.28 mm x 238.76 mm) (W x L)

1.4 MicroBlade Chassis Management Module Diagram

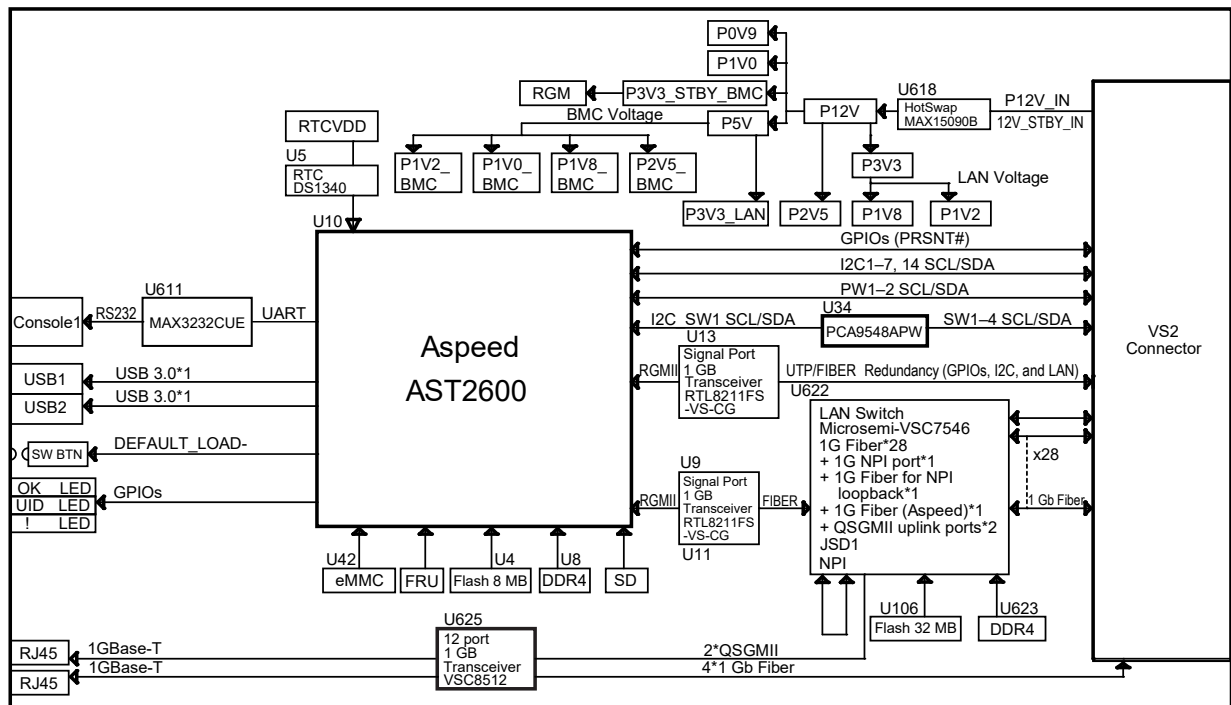



Figure 1-4: MicroBlade CMM-6 Block Diagram

 **Note:** This is a general block diagram and may not exactly represent the features on your blade module. See the previous pages for the actual specifications of your blade module.

1.5 Chassis Management Module (CMM) Firmware Features

Chassis System Management (CMM-6) Firmware Features

CMM System Management

- Reports blade status and power consumption in a single page
- Provides an HTML5/JAVA interface to view multiple blade servers through iKVM
- Provides a power policy to limit maximal power per blade server when an A/B side failure occurs in N+N redundancy
- Local and remote power on/off/warm reset of chassis and servers on a single page
- Monitors and manages server blades, power supplies, cooling fans, and networking switches locally and remotely
- Monitors and controls fans based on ambient and internal temperature measurements
- BMC 3.0-compliant with support of KVM-over-LAN, KVM-over-IP, and Serial-over_LAN (SOL)
- LAN Alert SNMP Trap
- Event Log support
- OS Independent
- Hardware Health Monitor
- Compatible with Management Tools: IPMIView, Command Line Interface (CLI)
- RMCP and RMCP+ Protocols supported

CMM System Management and Update

- Server blades
- Power supplies
- Cooling fans
- Switch modules
- Hardware health monitor
- CMM and blade profiles can be uploaded and downloaded through Redfish/WebUI/CLI.
- Multiple blade profiles can be set and saved. CMM will transfer the XML file to blades, and blade servers will concurrently configure themselves. CMM will automatically apply a profile for a replacement blade in a slot. Blade will have a maintenance log to indicate whether the profile was successfully applied or not.
- Switch profile can be set and saved by the user. CMM will transfer the XML file to switch modules, and the switch modules can concurrently configure themselves. CMM will automatically apply a profile to a replacement switch in a slot. CMM will have a maintenance log to indicate whether the profile was successfully applied.
- Firmware updates of server components (e.g., BIOS/BMC) will be performed across multiple servers and the networking in the chassis.

Management Tools

- IPMIView: CLI, Web GUI
- CMM: Enclosure Monitoring
- SMM: Blade Enclosure and Rack
- Utilities: SMCIPMITOOL for CMM and IPMICFG for BMC and RedFish compliant with KVM over LAN or IP
- Supports RMCP and RMCP+ Protocols, LAN Alert-SNMP Trap, Event Log



Note: For more firmware information, refer to the CMM_BMC Manual posted on our website under the link: <http://www.supermicro.com/>.

Redfish Support

- System/Chassis Component Information
- User Accounts and Privilege Management
- BMC Configuration (AD, LDAP, SNMP, SMTP, RADIUS, Fan mode, Mouse Mode, NTP, Snooping, etc.)
- BIOS Configuration
- Boot Sequence Modification
- RAID Configuration (Avago 3108)
- Storage Management
- NIC MAC Information (NIC Asset Info)
- BMC/BIOS Firmware Update
- Thermal/Power/Sensor Information
- System Component Health Status
- Hostname
- Launch iKVM/HTML5
- Update SSL Certificate and Key
- Perform System Reset
- BMC Configuration Reset/BMC Reset
- Health Event Log/Advanced System Event Log
- Warning/Critical Severity Event Acknowledgement
- Media ISO Image Mount

Software/Firmware Tool Support

- Supermicro Server Manager (SSM): A comprehensive solution to manage and maintain Supermicro servers in an IT datacenter from a single console view.
- Supermicro Update Manager (SUM): In-band and out-of-band command line tool, supporting firmware (BIOS, BMC, etc.) image updates and configurations.
- Supermicro Power Manager (SPM): Monitoring CPU, memory, system power use, and remote control of power consumption.
- Management Plug-in for VMware vCenter: Providing visibility to all Supermicro host systems through vSphere Client.
- Management Plug-in for Microsoft SCOM: Providing visibility to all Supermicro host systems through Microsoft's Operations Manager.
- Management Plug-in for Nagios: Providing a command line interface for remote management and monitoring Supermicro servers through Redfish. It can integrate with Nagios to monitor server health.
- SuperDoctor 5 (SD5): Health and health availability monitoring with alert capabilities.
- Super Diagnostics Offline: OS-independent offline diagnostic tool.
- IPMICFG: In-band command line tool, providing BMC and Supermicro proprietary OEM commands.
- SMCIPMITool: Out-of-band command line tool for remote management, providing BMC and Supermicro proprietary OEM commands.
- IPMIView: GUI-based application for remote management, providing BMC and Supermicro proprietary OEM features, and including a built-in trap receiver.
- TAS: Provides asset and health information, and server usage information at the OS level.
- SuperDoctor 5 (SD5): Health and availability monitoring with alert capabilities.
- Super Diagnostics Offline: OS independent offline diagnostic tool.
- IPMICFG: In-band command line tool, providing BMC and Supermicro proprietary OEM commands.
- SMCIPMITool: Out-of-band command line tool for remote management, providing BMC and Supermicro proprietary OEM commands.
- IPMIView: GUI-based application for remote management, providing BMC and Supermicro proprietary OEM features and including a built-in trap receiver.
- TAS: Providing asset and health information, and server usage information at the OS level.

Compliance

- UL/CSA/CB, EMC (FCC, CE/VCCI, C-Tick) Class A

Supported Browsers

- Google Chrome
- Firefox
- Microsoft Edge



Note 1: For more firmware information, refer to the CMM_BMC Manual posted on our website under the link: <http://www.supermicro.com/>.

Note 2: The browsers provided in the table above have been verified to be CMM-compatible. Refer to the next section ([Section 1.6](#)) for network connection and login information.

1.6 Network Connection/Login

To use the web-based system management utility provided by the MBM-CMM-6 blade module, which is built upon the MBB-CMM-6 board, follow the listed instructions.

Supported Browsers

The following browsers are verified to be compatible with the CMM web-based system management utility. It is recommended that you use the latest revision of the browser of your choice.

The minimum browser revisions supported by the CMM web-based management utility are as follows:

- Google Chrome
- Firefox
- Microsoft Edge

To Log In To the CMM System Management Utility

Follow the steps to log into the CMM web-based system management utility:

1. Launch a web browser.
2. In the address field of the browser, enter the IP address that is assigned to your blade server CMM and press <Enter>. If no DHCP or static IP is assigned to your CMM, use the manufacturer's default IP address listed in the table (on the next page).
3. When the browser is connected to your CMM, enter your username and password, and click Login.
4. The web-based Management Utility Home Page will then display.

Restoring the Manufacturer Default Settings

Press and hold the reset hole in the back of the CMM module for five seconds. When the LED indicator flashes, quickly release the button to restore the CMM to manufacturer defaults.

Restoring All Blade BMC to Default Setting

Press and hold the reset hole in the back of the CMM module until the LED indicator flashes and then changes to a solid light. This will restore the BMC of all blade servers to the default setting.

Address Defaults

The following table lists the default IP addresses that are initially set by the manufacturer for the CMM utility. You can change these default addresses to user-defined IP addresses within the program. To change default address settings, refer to Chapter 4 of the CMM_BMC manual posted on our website under the link: <http://www.supermicro.com/>.

| Manufacturer IP Address Defaults | |
|----------------------------------|-------------------------|
| Default | Description |
| Default IP Address | https://192.168.100.100 |
| Default Gateway Address | 0.0.0.0 |
| Default Subnet Mask | 255.255.255.0 |
| Default User Name | ADMIN |
| Default Password | ADMIN |

Setting up the Chassis Management Module Utility Through Serial Console

This section lists the steps on how to connect the CMM serial console to your server and to the serial port located on the CMM blade module board.

Setting Up the CMM Through Serial Console

1. Connect to the client computer using the serial port connection.
2. Open the Serial Terminal (using Putty, Hyper Terminal, etc.) and enter the following information in the "Configure the serial line" dialogue box when it displays. (The default password and login are ADMIN.)
 - Speed (baud): 115200
 - Data bits: 8
 - Stop bits: 1
 - Parity: None
 - Flow control: XON/XOFF

Command List

There is a list of CMM commands that you can use to set up your Chassis Management Module (CMM) utility settings. For example, by using the CMM **"SET"** command in conjunction with the **"APPLY SETTING"** command, you can configure (set) a new CMM setting, save it, and then apply the changes to the CMM utility as shown:

>**SET** IP 192.168.22.101

>**APPLY SETTING**

A list of CMM commands is provided in the table for your reference:

| Command List | |
|-----------------------------|---|
| Command | Description |
| HELP | ;print help |
| RESET | ;reset CMM |
| DEFAULTRESET | ;reset CMM to default |
| VER | ;show CMM FW VER |
| PASSWORDRESET | ;reset password |
| GET LAN INFO | ;get network info |
| SET IP xxx.xxx.xxx.xxx | ;set ip address |
| SET NETMASK xxx.xxx.xxx.xxx | ;set netmask address |
| SET GATEWAY xxx.xxx.xxx.xxx | ;set gateway address |
| SET MAC xx:xx:xx:xx:xx:xx | ;set mac address |
| SET DHCP ENABLE | ;set dhcp enable |
| SET DHCP DISABLE | ;set dhcp disable |
| SET DHCP FAILOVER | ;set dhcp fails then use manual configuration |
| APPLY SETTING | ;apply network setting |

The following commands of **Version** and **GET LAN** are listed for your reference:

- **Version**

```
>ver
FWVer = 3.36
[OK]
>
```

- **Get LAN Info**

```
>get lan info
MAC = 0c:c4:7a:88:1a:62
IP = 172.31.35.12
Netmask = 255.255.0.0
Gateway = 172.31.0.1
DHCP = Failover
Only for DHCP Failover mode. Using the following IP configuration if DHCP fails:
IP = 192.168.100.100
Netmask = 255.255.0.0
Gateway = 192.168.100.1
```

Chapter 2

Installation

2.1 Static-Sensitive Devices

Electrostatic Discharge (ESD) can damage electronic components. To avoid damaging your blade module or blade module board, it is important to handle it very carefully. The following measures are generally sufficient to protect your equipment from ESD.

Precautions

- Use a grounded wrist strap designed to prevent static discharge.
- Touch a grounded metal object before removing the blade module board from the antistatic bag.
- Handle the blade module board by its edges only; do not touch its components, peripheral chips, memory modules, or gold contacts.
- When handling chips or the module board, avoid touching their pins.
- Put the blade module board and peripherals back into their antistatic bags when not in use.
- For grounding purposes, make sure that your computer chassis provides excellent conductivity between the power supply, the case, the mounting fasteners, and the blade module board.
- Use only the correct type of onboard CMOS battery. Do not install the onboard battery upside down to avoid a possible battery explosion.

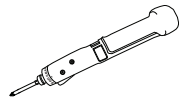
Unpacking

The blade module board is shipped in antistatic packaging to avoid static damage. When unpacking the blade module board, make sure that the person handling it is static protected.

2.2 CMM Blade Module Board Installation

The CMM blade module board has standard mounting holes to fit different types of enclosures. Make sure that the locations of all the mounting holes for both the blade module and the enclosure match. Although all enclosures may have both plastic and metal mounting fasteners, metal ones are highly recommended because they ground the blade module board to the enclosure. Make sure that the metal standoffs click in or are screwed in tightly.

Tools Needed



Phillips Screwdriver (1)



Phillips Screws (6)



Standoffs (6pio)
(Only if Needed)

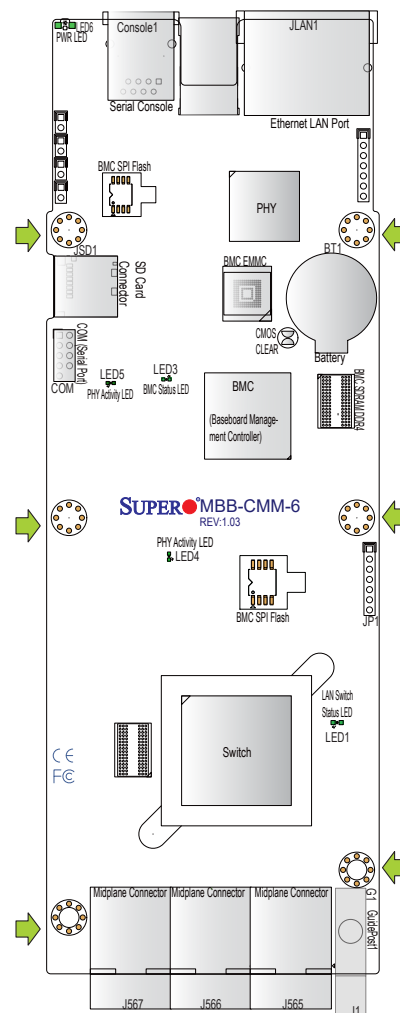


Figure 2-1: Locations of Mounting Holes

Location of Mounting Holes



Note 1: To avoid damaging the blade module and its components, do not use a force greater than 8 lbf-in on each mounting screw during blade module installation.

Note 2: Some components are very close to the mounting holes. Take precautionary measures to avoid damaging these components when installing the blade module into the chassis.

Installing the Blade module Board

1. Install the I/O shield into the back of the chassis, if applicable.
2. Locate the mounting holes on the blade module board. See the previous page for the location.

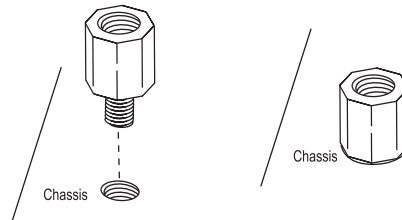


Figure 2-2: Screwing Necessary Standoff Into Mounting Hole

3. Locate the matching mounting holes on the enclosure of the blade module. Align the mounting holes on the blade module board against the mounting holes on the enclosure.

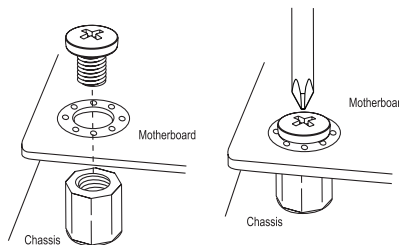



Figure 2-3: Screwing Phillips Screws Into Mounting Hole

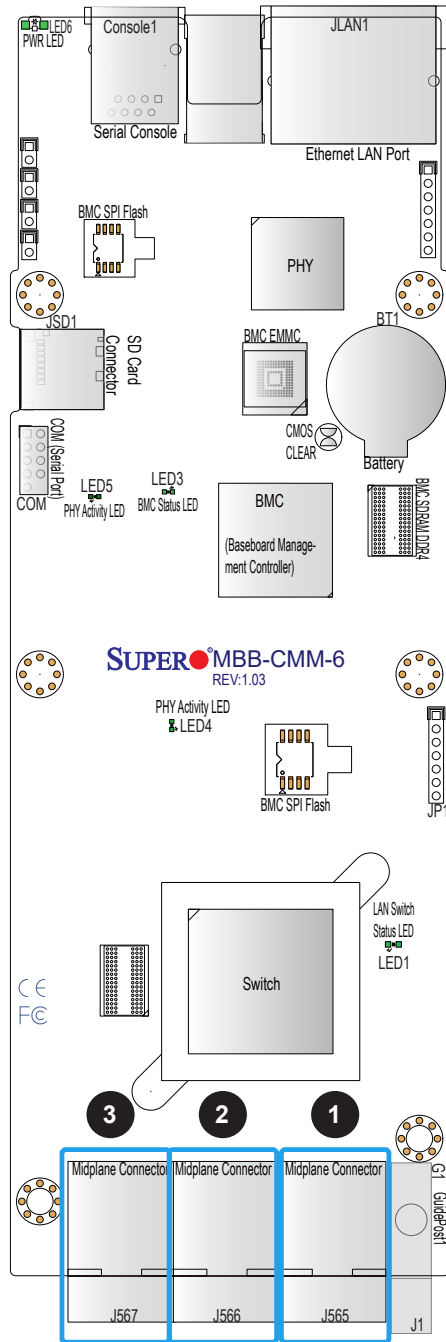
4. Install standoffs in the enclosure as needed.
5. Install the blade module board into the blade module enclosure carefully to avoid damaging the blade module components.
6. Using the Phillips screwdriver, insert a pan head #6 screw into a mounting hole on the blade module board and its matching mounting hole on the enclosure.
7. Repeat Step 5 to insert #6 screws into all mounting holes.
8. Make sure that the blade module board is securely placed in the enclosure.

 **Note:** Images displayed are for illustration only. Your blade module board or components might look different from those shown in this user's guide.

2.3 Connectors and Headers

Midplane Connectors

Three Midplane connectors are located at J565/J566/J567 on the MBB-CMM-6 module board. These Midplane connectors provide connections between the components installed on the blade module and the blade server in which the MBB-CMM-6 module is installed.



1. Midplane Connector 1 (J565)
2. Midplane Connector 2 (J566)
3. Midplane Connector 3 (J567)

UID (Unit Identifier) LED and BMC Status LED Indicators

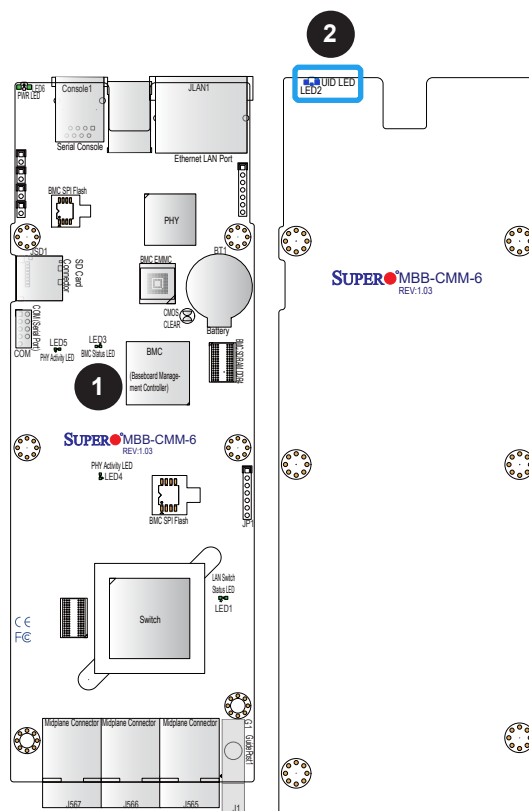
On the CMM6 module board, UID LED and BMC Status LED indicators are controlled by software programs or a firmware interface.

For unit identification, a UID LED is located at LED2 on the rear side of the module. When LED2 blinks blue, it indicates that a remote unit (a rack server) in need of attention has been identified.

The BMC Status LED (LED3), located on the front side of the module board, will display the status of BMC settings. When LED3 blinks green, BMC Reset is normal, and BMC settings are being reset to the manufacturer's default settings. During a system cold boot or BMC Reset, LED3 will turn green (solid) on. Refer to the BMC User's Guide at <http://www.supernmicro.com> for more information on BMC settings.

| UID LED (LED2) LED Settings | |
|--|--|
| LED | Status |
| LED2 (*located on the rear side of the module board) | Blue (Blinking): A unit (or a rack server) that might be in need of attention is identified. |

| BMC Status LED (LED3) LED Settings | |
|---------------------------------------|--|
| LED | Status |
| LED3 | Green (Blinking): BMC working normally |
| LED3 | Solid Green On: During a system cold boot or during BMC Reset (to manufacturer's defaults) |



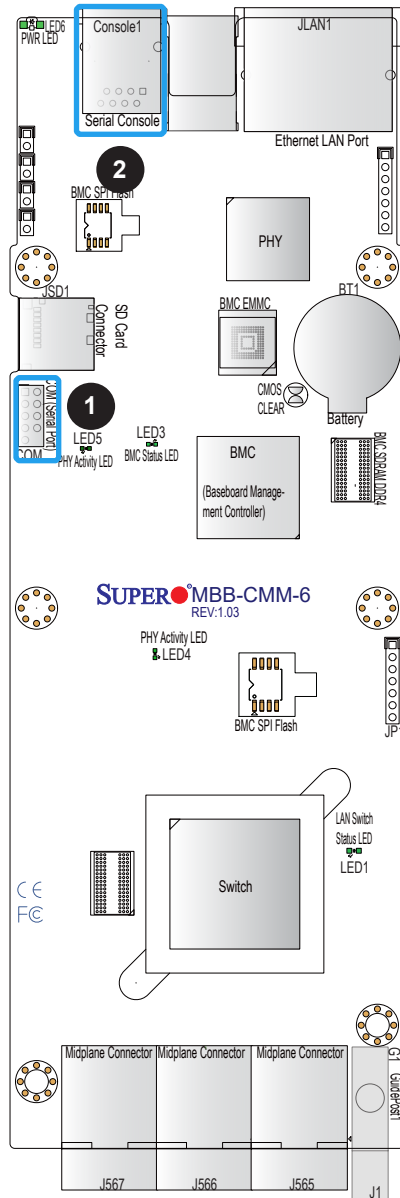
1. BMC Status LED (LED3)
2. Rear UID (Unit Identifier LED) (LED2)

COM/Serial Port

A communication (COM) port that provides a serial link interface is located on the MBB-CMM-6 blade module board.

Console Port

A Console port (Console1) is located next to the USB ports that support UART connections.

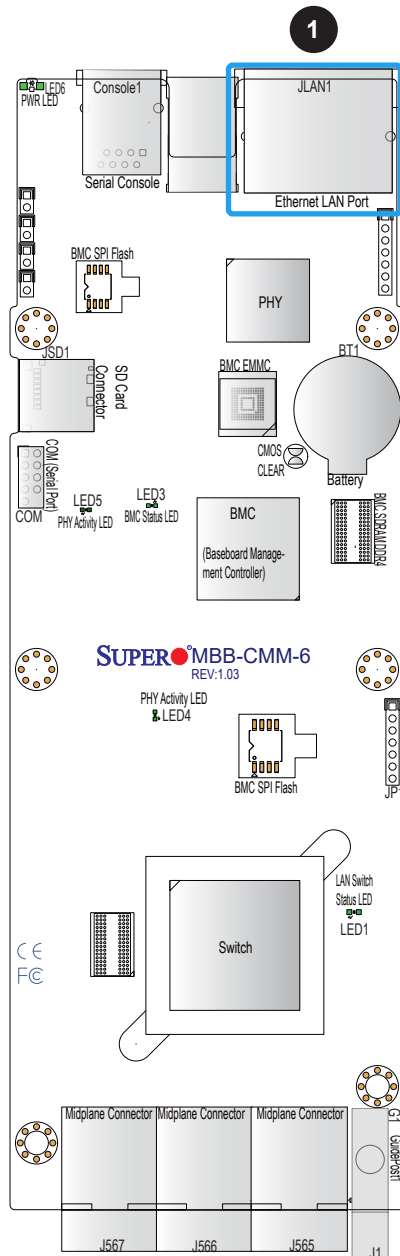


1. COM/Serial Port

2. Console Port

LAN Port

An Ethernet LAN management port is located at JLAN1, which provides a 1 GbE LAN connection. This LAN port accepts the RJ45 cable. Refer to the [LED Indicator section](#) for LAN LED information.



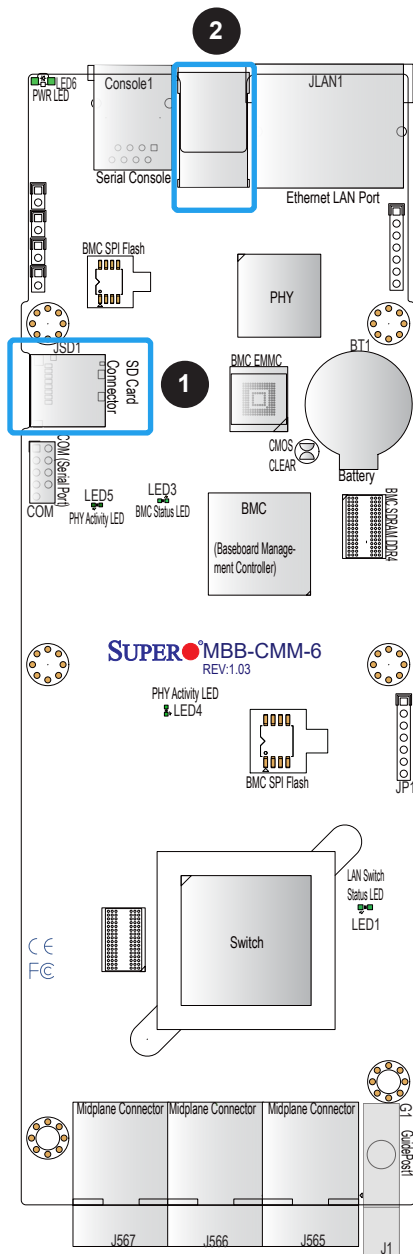
1. LAN Port (JLAN1)

SD Card Connector

A Secure Digital (SD) connector, located at JSD1 on the MBB-CMM-6, supports SD devices, including standard memory cards.

Universal Serial Bus (USB) Ports and Headers

A Type-A USB header, located at JUSB1, supports two USB 3.0 connections (USB Port0/Port1). These USB ports can be used for USB connections through USB cables (not included).




| Pin# | Definition | Pin# | Definition |
|------|------------|------|------------|
| 1 | VBUS | 5 | SSRX- |
| 2 | USB_N | 6 | SSRX+ |
| 3 | USB_P | 7 | GND |
| 4 | Ground | 8 | SSTX- |
| | | 9 | SSTX+ |

1. SD Card Connector (JSD1)
2. USB 3.0 (USB Port0/Port1)

2.4 Jumper Settings

How Jumpers Work

To modify the operation of the blade module board, jumpers can be used to choose between optional settings. Jumpers create shorts between two pins to change the function of the connector. pin 1 is identified with a square solder pad on the printed circuit board. See the diagram for an example of jumping pin 1 and pin 2. Refer to the blade module layout page for jumper locations.

 **Note:** On two-pin jumpers, "Closed" means the jumper is on and "Open" means the jumper is off the pins.

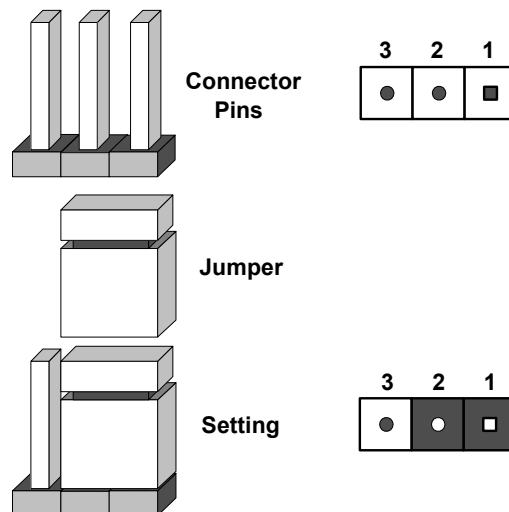



Figure 2-4: Three Pin Settings

CMOS Clear

JBT1 is used to clear CMOS, which will also clear any passwords. Instead of pins, this jumper consists of contact pads to prevent accidentally clearing the contents of the CMOS.

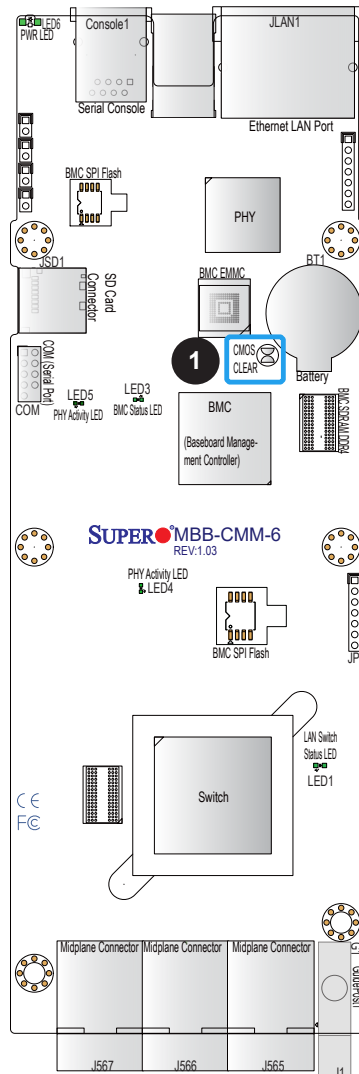
To Clear CMOS

1. Power down the server and unplug the power cord(s). 
2. Remove the cover of the chassis to access the blade module and remove the battery from the blade module board.
3. Short the CMOS pads, JBT1, with a metal object such as a small screwdriver for at least four seconds.
4. Remove the screwdriver (or shorting device).
5. Replace the cover, reconnect the power cord(s), and power on the server.



Note 1: Clearing CMOS will also clear all passwords.

Note 2: Do not use the PW_ON connector to clear CMOS.



1. Clear CMOS (JBT1)

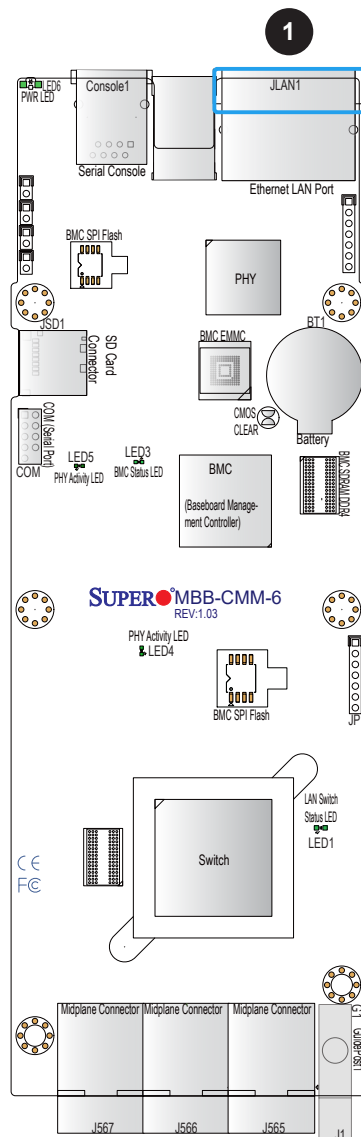
2.5 LED Indicators

LAN LEDs

The 1 GbE Ethernet LAN port is located at JLAN1 on the rear I/O side of the MBB-CMM-6 board. This Ethernet LAN port has two LEDs. The yellow LED on the right side indicates activity, and the amber LED on the left side indicates the speed of the connections.

| LAN Activity LED (Right) LED State | | |
|---------------------------------------|----------|------------|
| Color | Status | Definition |
| Yellow | Flashing | Active |

| LAN Link LED (Left) LED State | | |
|----------------------------------|--------|-------------|
| Color | Status | Definition |
| Amber | Solid | 1 Gbps Link |

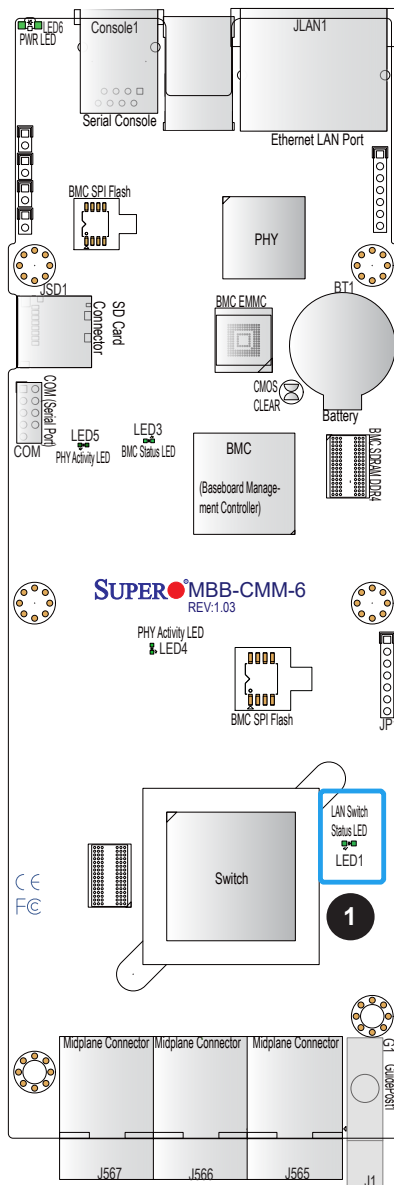


1. LAN Switch Status LED

LAN Switch Status LED

The LAN Switch Status LED, located at LED1, indicates the status of the LAN switch. When LED1 is blinking green, the LAN switch functions normally.

| LAN Switch Status LED LAN Switch State | |
|---|--------------------|
| LED Color/State | Definition |
| Green: Blinking | LAN Switch: Normal |

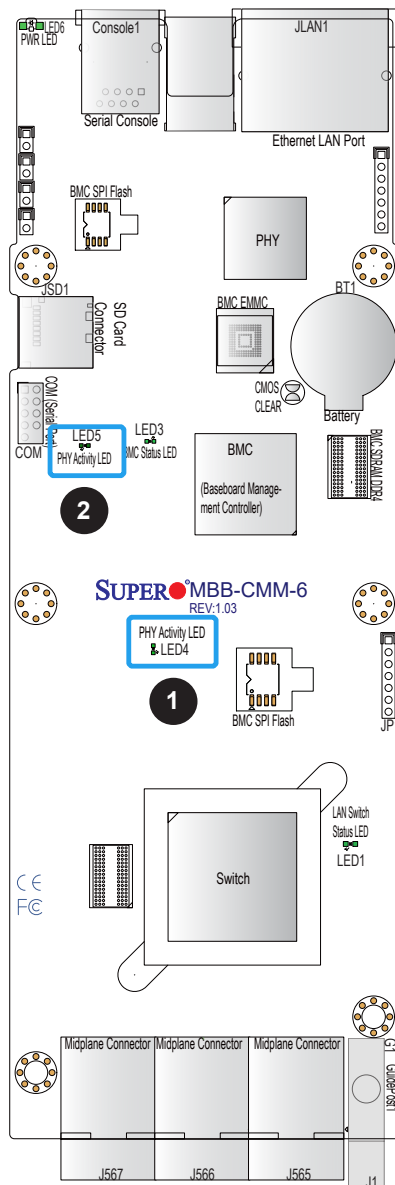


1. LAN Switch Status LED

PHY Activity LEDs

Two Intel PHY LED indicators are located at LED4 and LED5 on the MBB-CMM-6. These LEDs indicate the status of PHY connections and the activity status of the Ethernet LAN connection.

| PHY Activity LED Indicators LED State | |
|--|------------|
| Color/State | Definition |
| Blinking Green | PHY Active |



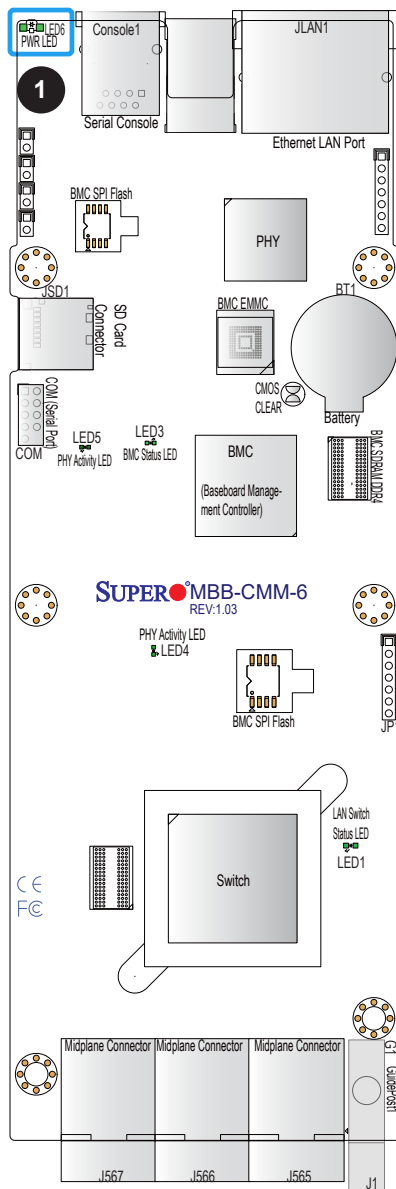
1. PHY LAN LED (LED4)
2. PHY LAN LED (LED5)

Module Power Status LED

A Module Power Status LED is located at LED6. When this LED turns green, it indicates that power is ready for use for the devices installed on the module board.

| Module Power Status LED LED State | |
|-----------------------------------|------------------------|
| Color/State | Definition |
| Green (Solid) On | Power is ready for use |

1. Module Power Status LED (LED6)

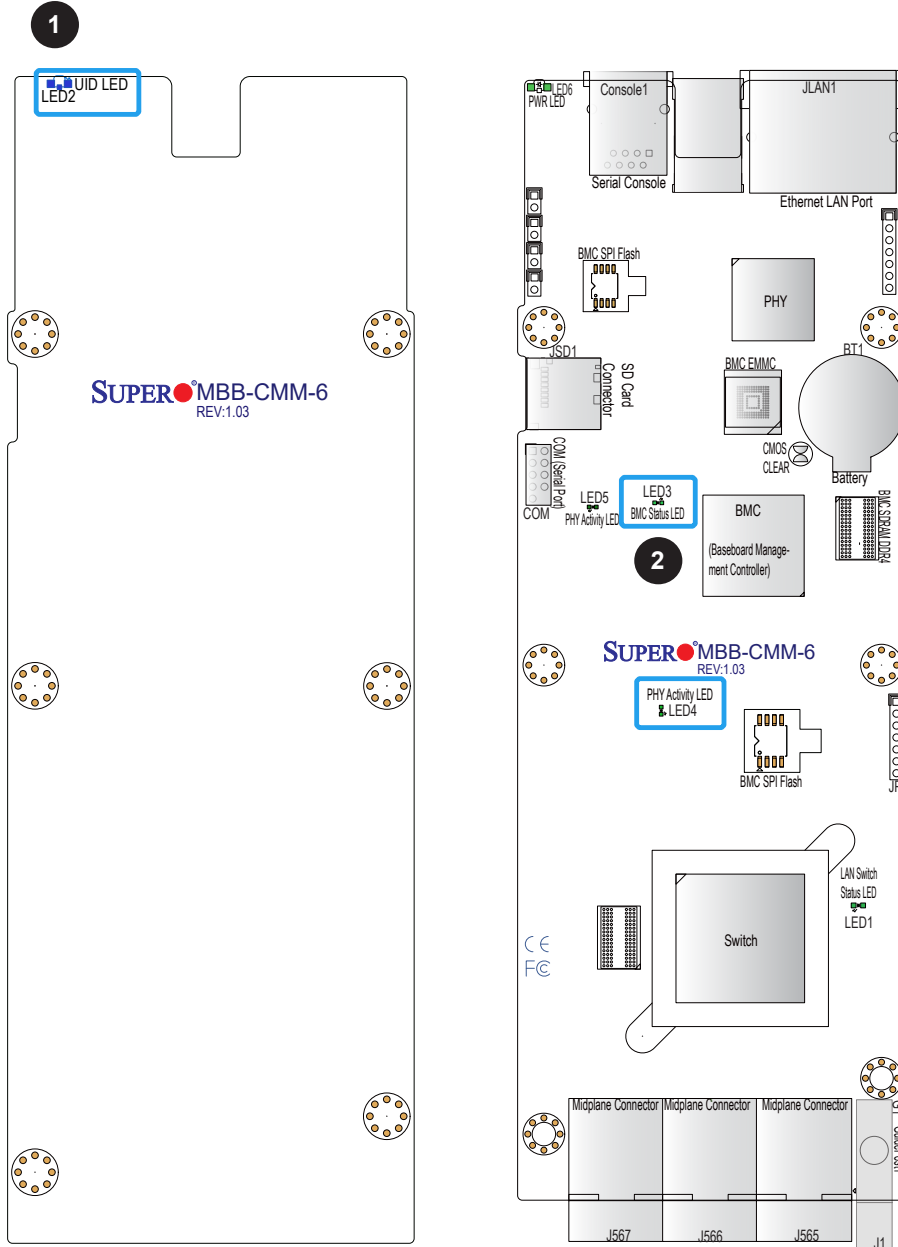


UID LED/BMC Status LED

Refer to [Section 2.3](#) for detailed information on UID (Unit Identifier) LED (LED2) and BMC Status LED (LED3).

1. UID LED (LED2)

2. BMC Status LED (LED3)



Chapter 3

Troubleshooting

3.1 Troubleshooting Procedures

Use the following procedures to troubleshoot your system. If you have followed all of the procedures and still need assistance, refer to the 'Technical Support Procedures' and/or 'Returning Merchandise for Service' section(s) in this chapter. Always disconnect the AC power cord before adding, changing, or installing any non hot-swap hardware components.

Before Power On

1. Make sure that there are no short circuits between the blade module and the chassis.
2. Disconnect all ribbon/wire cables from the blade module board, the blade module, and the server, including those for the keyboard and mouse.
3. Remove all add-on cards.
4. Install the CPU (making sure it is fully seated) and connect the front panel connectors to the server motherboard.

No Power

1. Make sure that there are no short circuits between the blade module board, the system motherboard, and the chassis.
2. Make sure that the ATX power connectors are properly connected.
3. Check that the 115 V/230 V switch, if available, on the power supply is properly set.
4. Turn the power switch on and off to test the system, if applicable.
5. The battery on your blade module may be old. Check to verify that it still supplies up to 3 VDC. If it does not, replace it with a new one.

No Video

1. If the power is on, but you do not have video, remove all add-on cards and cables from the blade module and the blade server.
2. Remove all memory modules and turn on your server (if the alarm is on, check the specs of memory modules, reset the memory, or try a different one).

System Boot Failure

If your server does not display Power-On-Self-Test (POST) or does not respond after the power is turned on, check the following:

1. Remove all components from the blade module board, the blade module, and the system motherboard, especially the DIMM modules. Power on the server and check if the power-on LED and the BMC Heartbeat LED on the system board are on, and the system fans are spinning.
2. Turn on the server with only one DIMM module installed. If the server boots, check for bad DIMM modules or slots by following the Memory Errors Troubleshooting procedure in this chapter.

Losing the System's Setup Configuration

1. Make sure that you are using a high-quality power supply. A poor-quality power supply may cause the server to lose the CMOS setup information. Refer to our website for details on recommended power supplies.
2. The battery on your blade module board may be old. Check to verify that it still supplies up to 3 VDC. If it does not, replace it with a new one.

3.2 Technical Support Procedures

Before contacting Technical Support, take the following steps. Also, note that as a system manufacturer, Supermicro also sells computers through its channels, so it is best to first check with your distributor or reseller for troubleshooting services. They should know of any possible problems with the specific system configuration that was sold to you.

1. Go through the Troubleshooting Procedures and Frequently Asked Questions (FAQ) sections in this chapter or see the FAQs on our website (<http://www.supermicro.com/FAQ/index.php>) before contacting Technical Support.
2. BIOS upgrades can be downloaded from our website (http://www.supermicro.com/ResourceApps/BIOS_BMC_Intel.html).
3. If you still cannot resolve the problem, include the following information when contacting Supermicro for technical support:
 - The model of the blade module board and the PCB revision number
 - BIOS release date/version (This can be seen on the initial display when your system first boots up.)
 - System configuration
4. An example of a Technical Support form is on our website at <http://www.supermicro.com/RmaForm/>.
5. Distributors: For immediate assistance, have your account number ready when placing a call to our Technical Support department. We can be reached by email at support@supermicro.com.

3.3 Battery Removal and Installation

Battery Removal

To remove the onboard battery, take the following steps:

1. Power off your server and unplug your power cable.
2. Locate the onboard battery.
3. Using a tool such as a pen or a small screwdriver, push the battery lock outwards to unlock it. Once unlocked, the battery will pop out from the holder.
4. Remove the battery.

Proper Battery Disposal

Important: Handle used batteries carefully. Do not damage the battery in any way; a damaged battery may release hazardous materials into the environment. Do not discard a used battery in the garbage or a public landfill. Comply with the regulations set up by your local hazardous waste management agency to dispose of your used battery properly.

Battery Installation

To install an onboard battery, take the following steps:

1. Power off your server.
2. Unplug your power cable.
3. Locate the onboard battery.
4. Identify the battery's polarity. The positive (+) side should be facing up.
5. Insert the battery into the battery holder.
6. Push it down until you hear a click to ensure that the battery is securely locked.

Important: When replacing a battery, be sure to only replace it with the same type.

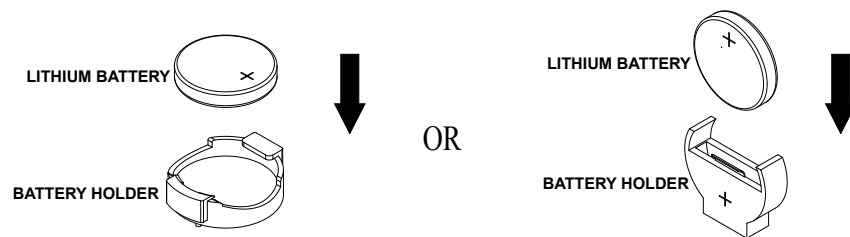


Figure 3-1: Battery Installation

Appendix A

Standardized Warning Statements

The following statements are industry standard warnings, provided to warn the user of situations where a potential bodily injury may occur. Should you have questions or experience difficulty, contact Supermicro's Technical Support department for assistance. Only certified technicians should attempt to install or configure components.

Read this section in its entirety before installing or configuring components.

These warnings may also be found on our website at http://www.supermicro.com/about/policies/safety_information.cfm.

Battery Handling



Important! There is the danger of an explosion if the battery is replaced incorrectly. Replace the battery only with the same or equivalent type recommended by the manufacturer. Dispose of used batteries according to the manufacturer's instructions

電池の取り扱い

電池交換が正しく行われなかった場合、破裂の危険性があります。交換する電池はメーカーが推奨する型、または同等のものを使用下さい。使用済電池は製造元の指示に従って処分して下さい。

警告

電池更換不當會有爆炸危險。請只使用同類電池或制造商推薦的功能相當的電池更換原有電池。請按製造商的說明處理廢舊電池。

警告

電池更換不當會有爆炸危險。請使用製造商建議之相同或功能相當的電池更換原有電池。請按照製造商的說明指示處理廢棄舊電池。

Warnung

Bei Einsetzen einer falschen Batterie besteht Explosionsgefahr. Ersetzen Sie die Batterie nur durch den gleichen oder vom Hersteller empfohlenen Batterietyp. Entsorgen Sie die benutzten Batterien nach den Anweisungen des Herstellers.

Attention

Danger d'explosion si la pile n'est pas remplacée correctement. Ne la remplacer que par une pile de type semblable ou équivalent, recommandée par le fabricant. Jeter les piles usagées conformément aux instructions du fabricant.

¡Advertencia!

Existe peligro de explosión si la batería se reemplaza de manera incorrecta. Reemplazar la batería exclusivamente con el mismo tipo o el equivalente recomendado por el fabricante. Desechar las baterías gastadas según las instrucciones del fabricante.

אזהרה!

קיימת סכנת פיצוץ של הסוללה במידה והוחלפה בדרך לא תקינה. יש להחליף את הסוללה בסוג התואם מחברת יצרן מומלצת. סילוק הסוללות המשומשות יש לבצע לפי הוראות היצרן.

هناك خطر من انفجار في حالة اسبدال البطارية بطريقة غير صحيحة فعلياً
اسبدال البطارية
فقط بنفس النوع أو ما يعادلها مما أوصت به الشركة المصنعة
جخلص من البطاريات المسحمة وفقاً لتعليمات الشركة الصانعة

경고!

배터리가 올바르게 교체되지 않으면 폭발의 위험이 있습니다. 기존 배터리와 동일하거나 제조사에서 권장하는 동등한 종류의 배터리로만 교체해야 합니다. 제조사의 안내에 따라 사용된 배터리를 처리하여 주십시오.

Waarschuwing

Er is ontploffingsgevaar indien de batterij verkeerd vervangen wordt. Vervang de batterij slechts met hetzelfde of een equivalent type die door de fabrikant aanbevolen wordt. Gebruikte batterijen dienen overeenkomstig fabrieksvoorschriften afgevoerd te worden.

Product Disposal



Important! Ultimate disposal of this product should be handled according to all national laws and regulations.

製品の廃棄

この製品を廃棄処分する場合、国の関係する全ての法律・条例に従い処理する必要があります。

警告

本产品的废弃处理应根据所有国家的法律和规章进行。

警告

本產品的廢棄處理應根據所有國家的法律和規章進行。

Warnung

Die Entsorgung dieses Produkts sollte gemäß allen Bestimmungen und Gesetzen des Landes erfolgen.

¡Advertencia!

Al deshacerse por completo de este producto debe seguir todas las leyes y reglamentos nacionales.

Attention

La mise au rebut ou le recyclage de ce produit sont généralement soumis à des lois et/ou directives de respect de l'environnement. Renseignez-vous auprès de l'organisme compétent.

סילוק המוצר

אזהרה!

סילוק סופי של מוצר זה חייב להיות בהתאם להנחיות וחוקי המדינה.

عند التخلص النهائي من هذا المنتج ينبغي التعامل معه وفقا لجميع القوانين واللوائح الوطنية

경고!

이 제품은 해당 국가의 관련 법규 및 규정에 따라 폐기되어야 합니다.

Waarschuwing

De uiteindelijke verwijdering van dit product dient te geschieden in overeenstemming met alle nationale wetten en reglementen.

Appendix B

CMM Redfish API

For an introduction to the Redfish API, see <https://www.supermicro.com/en/solutions/management-software/redfish>, and then proceed with the commands as detailed.

The following Redfish URI APIs and commands apply to CMM-6 BMC Firmware versions **01.02.XX and above**.

| Redfish URI | Support Version | Payload | | | | Notes |
|---|-----------------|------------|---|-------------------------------|--|-------|
| | | Operations | Properties | Accept String | Example | |
| /redfish | | | | | | |
| /redfish/v1 | | | | | | |
| /redfish/v1/AccountService | | PATCH | AccountLockout-Threshold | 0 to 5 | <pre>{ "AccountLockoutThreshold": 3, "AccountLockoutDuration": 30, "AccountLockoutCounterResetAfter": 30 }</pre> | |
| | | PATCH | AccountLockoutDuration | 0 to 1800 | | |
| | | PATCH | AccountLockoutCounterResetAfter (Should be less than or equal to property AccountLockoutDuration) | 0 to 1800 | | |
| /redfish/v1/AccountService/Accounts | | POST | UserName | | <pre>{ "UserName" : "user3", "RoleId": "Administrator", "Password": "Aa123456" }</pre> | |
| | | POST | RoleId | User, Operator, Administrator | | |
| | | POST | Password | | | |
| /redfish/v1/AccountService/Accounts/[account_num] | | PATCH | Enabled | true, false | <pre>{ "Enabled" : true }</pre> | |
| | | PATCH | UserName | | | |
| | | PATCH | RoleId | User, Operator, Administrator | | |
| | | PATCH | Password | | | |
| /redfish/v1/AccountService/Accounts/Roles | | | | | | |
| /redfish/v1/AccountService/Accounts/Roles/Administrator | | | | | | |
| /redfish/v1/AccountService/Accounts/Roles/Operator | | | | | | |
| /redfish/v1/AccountService/Accounts/Roles/ReadOnly | | | | | | |
| /redfish/v1/CertificateService | | | | | | |

| | | | | | | |
|--|----------|-------|---|---|---|--|
| /redfish/v1/CertificateService/Actions/CertificateService.GenerateCSR | | POST | Country, State, City, Organization, OrganizationalUnit, CommonName, KeyPairAlgorithm, CertificateCollection | | { "Country": "US", "State": "California", "City": "San Jose", "Organization": "Supermicro Computr", "OrganizationalUnit": "Redfish", "CommonName": "Supermicro.com", "KeyPairAlgorithm": "TPM_ALG_RSA", "CertificateCollection": {"@odata.id": "/redfish/v1/Managers/1/NetworkProtocol/HTTPS/Certificates"} } | |
| /redfish/v1/CertificateService/Actions/CertificateService.ReplaceCertificate | | POST | | | { "CertificateUri": {"@odata.id": "/redfish/v1/Managers/1/NetworkProtocol/HTTPS/Certificates/1"}, "CertificateString": "-----BEGIN CERTIFICATE-----\n...\n-----END CERTIFICATE-----\n", "CertificateType": "PEM" } | |
| /redfish/v1/CertificateService/CertificateLocations | | | | | | |
| /redfish/v1/CertificateService/GenerateCSRActionInfo | | | | | | |
| /redfish/v1/CertificateService/ReplaceCertificateActionInfo | | | | | | |
| /redfish/v1/Chassis | | | | | | |
| /redfish/v1/Chassis/1 | | | | | | |
| /redfish/v1/Chassis/1/EnvironmentMetrics | | | | | | |
| /redfish/v1/Chassis/1/Power | | PATCH | RedundancyOption | Max Power, Redundancy N+1, Redundancy N+N | { "RedundancyOption": "Redundancy N+N" } | |
| | | PATCH | FanControlOption | Auto Control, User Control | { "FanControlOption": "Auto Control" } | |
| | | PATCH | FanSpeedControl (Avalaible for User Control mode only) | 1 to 10 | { "FanSpeedControl": 5 } | |
| | | PATCH | BBPControl (If BBP not present or I2C fail, then BBP Control will show N/A) | Disable, Enable, and N/A | { "BBPControl": "Enable" } | |
| /redfish/v1/Chassis/1/PowerSubsystem | 01.01.xx | | | | | |
| /redfish/v1/Chassis/1/PowerSubsystem/PowerSupplies | 01.01.xx | | | | | |
| /redfish/v1/Chassis/1/PowerSubsystem/PowerSupplies/[PowerSupply_num] | 01.01.xx | | | | | |
| /redfish/v1/Chassis/1/PowerSubsystem/PowerSupplies/[PowerSupply_num]/Metrics | 01.01.xx | | | | | |

| | | | | | | |
|---|----------|-------|---|--|---|--|
| /redfish/v1/Chassis/1/PowerSubsystem/PowerSupplies/[PowerSupply_num]/Assembly | 01.01.xx | | | | | |
| /redfish/v1/Chassis/1/Sensors | | | | | | |
| /redfish/v1/Chassis/1/Sensors/[SensorName] | | | | | | |
| /redfish/v1/Chassis/1/Thermal | | | | | | |
| /redfish/v1/Chassis/1/ThermalSubsystem | 01.01.xx | | | | | |
| /redfish/v1/Chassis/1/ThermalSubsystem/Fans | 01.01.xx | | | | | |
| /redfish/v1/Chassis/1/ThermalSubsystem/Fans/FAN[num] | 01.01.xx | | | | | |
| /redfish/v1/EventService | | PATCH | Port | 1 to 65535 | { "SMTP": { "Port" : 587 } } | |
| | | PATCH | ServerAddress | Any valid IP | { "SMTP": { "ServerAddress" : "111.111.111.111" } } | |
| /redfish/v1/EventService/Actions/EventService.SubmitTestEvent | | POST | EventId | String | { "EventId": "3310", "EventTimestamp": "10:10", "Severity": "Critical", "Message": "Test Message", "MessageId": "MessageID", "MessageArgs": ["Test", "Message"], "OriginOfCondition": "Test Message" } | |
| | | POST | EventTimestamp | String | | |
| | | POST | Severity (Required) | Information, Warning, Critical | | |
| | | POST | Message | String | | |
| | | POST | MessageId (Required) | String | | |
| | | POST | MessageArgs | StringArray | | |
| /redfish/v1/EventService/SubmitTestEventActionInfo | | | | | | |
| /redfish/v1/EventService/Subscriptions | | POST | | | | |
| /redfish/v1/EventService/Subscriptions/[destination_num] | | PATCH | Destination, Context, EventTypes, Protocol, Oem, Severity, EnableSubscription | | { "Destination": "example@main.com", "Context": "user1_test", "EventTypes": ["Alert", "StatusChange"], "Protocol": "SMTP", "Oem": { "Supermicro": { "Severity": "Information", "EnableSubscription": true } } } | |
| /redfish/v1/JsonSchemas | | | | | | |
| /redfish/v1/JsonSchemas/[variety_of_services] | | | | | | |
| /redfish/v1/Managers | | | | | | |
| /redfish/v1/Managers/1 | | PATCH | DateTimeLocalOffset | ""+00:00" to "+14:00" | { "DateTimeLocalOffset": "+01:00" } | |
| | | PATCH | TimeZoneName | Check TimeZoneName@Redfish.AllowableValues | { "TimeZoneName": "(UTC+08:00) Taipei" } | |

| | | | | | | |
|---|--|-------|--|--|--|-------------------------|
| /redfish/v1/Managers/1/Actions/Manager.Reset | | POST | | | {} | BMC cold reset |
| /redfish/v1/Managers/1/Actions/Manager.ResetToDefaults | | POST | ResetType | PreserveNetworkAndUsers, PreserveNetwork | { "ResetType": "PreserveNetworkAndUsers" } | PreserveNetworkAndUsers |
| /redfish/v1/Managers/1/Actions/Oem/SmcManager-Config.Reset | | POST | | | {} | BMC to factory default |
| /redfish/v1/Managers/1/EthernetInterfaces | | | | | | |
| /redfish/v1/Managers/1/EthernetInterfaces/[num] | | PATCH | DHCPEnabled | true, false | { "DHCPv4": { "DHCPEnabled": false } } | |
| | | PATCH | Address (Only available when DHCP off) | Any valid IP | { "IPv4StaticAddresses": [{ "Address": "172.31.43.29", "Gateway": "172.31.0.1", "SubnetMask": "255.255.0.0" }] } | |
| | | PATCH | Gateway (Only available when DHCP off) | Any valid IP | | |
| | | PATCH | SubnetMask (Only available when DHCP off) | Any valid IP | | |
| /redfish/v1/Managers/1/LogServices | | | | | | |
| /redfish/v1/Managers/1/LogServices/Log1 | | PATCH | ServiceEnabled | true, false | { "ServiceEnabled" : true } | |
| /redfish/v1/Managers/1/LogServices/Log1/Actions/LogService.ClearLog | | POST | | | {} | |
| /redfish/v1/Managers/1/LogServices/Log1/Entries | | | | | | |
| /redfish/v1/Managers/1/LogServices/Log1/Entries/[log_num] | | | | | | |
| /redfish/v1/Managers/1/NetworkProtocol | | PATCH | ProtocolEnabled | true, false | { "IPMI": { "ProtocolEnabled": true } } | |
| /redfish/v1/Managers/1/NetworkProtocol/HTTPS/Certificates | | | | | | |
| /redfish/v1/Managers/1/NetworkProtocol/HTTPS/Certificates/1 | | | | | | |
| /redfish/v1/Managers/1/NetworkProtocol/HTTPS/Certificates/1/Actions/Certificate.Rekey | | POST | | | {} | |
| /redfish/v1/Managers/1/NetworkProtocol/HTTPS/Certificates/1/Actions/Certificate.Renew | | POST | KeyPairAlgorithm | | { "KeyPairAlgorithm" : "TPM_ALG_RSA" } | |
| /redfish/v1/Managers/1/NetworkProtocol/HTTPS/Certificates/1/RekeyActionInfo | | | | | | |

| | | | | | | |
|--|--|-------|--------------------|--------------------------|---|--|
| /redfish/v1/Managers/1/Oem/Supermicro/IPAccessControl | | PATCH | ServiceEnabled | true, false | { "ServiceEnabled" : true } | |
| /redfish/v1/Managers/1/Oem/Supermicro/IPAccessControl/FilterRules | | POST | Address | Any valid IP | { "Address" : "20.20.5.0", "PrefixLength" : 24, "Policy" : "Accept" } | |
| | | POST | PrefixLength | 0 to 32 | | |
| | | POST | Policy | Accept, Drop | | |
| /redfish/v1/Managers/1/Oem/Supermicro/IPAccessControl/FilterRules/[rule_num] | | POST | Address | Any valid IP | { "Address": "172.31.0.0", "PrefixLength": 16, "Policy": "Accept" } | |
| | | POST | PrefixLength | 0 to 32 | | |
| | | POST | Policy | Accept, Drop | | |
| /redfish/v1/Managers/1/Oem/Supermicro/NTP | | PATCH | TimeUpdateMode | NTP, Local | { "TimeUpdateMode" : "NTP" ,"PrimaryNTPServer" : "0.pool.ntp.org", "SecondaryNTPServer" : "204.17.205.8" } | |
| | | PATCH | PrimaryNTPServer | Any valid IP | | |
| | | PATCH | SecondaryNTPServer | Any valid IP | | |
| /redfish/v1/Managers/1/Oem/Supermicro/RADIUS | | PATCH | RadiusEnabled | true, false | { "RadiusEnabled" : false, "RadiusServer" : "0.0.0.0", "RadiusPortNumber" : 1812, "RadiusSecret" : "null" } | |
| | | PATCH | RadiusServer | Any valid IP | | |
| | | PATCH | RadiusPortNumber | 1 to 65535 | | |
| | | PATCH | RadiusSecret | null, String | | |
| /redfish/v1/Managers/1/Oem/Supermicro/ResetActionInfo | | | | | | |
| /redfish/v1/Managers/1/ResetToDefaultsActionInfo | | | | | | |
| /redfish/v1/Managers/1/Oem/Supermicro/SMCRAKP | | PATCH | Mode | Enabled, Disabled | { "Mode" : "Disabled" } | |
| /redfish/v1/Managers/1/Oem/Supermicro/SysLockdown | | PATCH | SysLockdownEnabled | true, false | { "SysLockdownEnabled" : false } | |
| /redfish/v1/Managers/1/Oem/Supermicro/Syslog | | PATCH | EnableSyslog | true, false | { "EnableSyslog" : false, "SyslogServer" : "127.0.0.1", "SyslogPortNumber" : 514 } | |
| | | PATCH | SyslogServer | Any valid IP | | |
| | | PATCH | SyslogPortNumber | 1 to 65535 | | |
| /redfish/v1/Managers/1/PrivilegeRegistry | | | | | | |
| /redfish/v1/Managers/1/SerialInterfaces | | | | | | |
| /redfish/v1/Managers/1/SerialInterfaces/[service_num] | | PATCH | BitRate | | { "BitRate" : "115200", "FlowControl" : "None" } | |
| | | PATCH | FlowControl | Software, Hardware, None | | |
| /redfish/v1/Oem/Supermicro/DumpService | | | | | | |
| /redfish/v1/Oem/Supermicro/DumpService/Actions/Smc-DumpService.CreateDump | | POST | DumpType | Host Dump | { "DumpType": "Host Dump" } | |
| /redfish/v1/Oem/Supermicro/DumpService/Actions/Smc-DumpService.DeleteAll | | POST | | | { } | |
| /redfish/v1/Oem/Supermicro/DumpService/CreateDump-ActionInfo | | | | | | |

| | | | | | | |
|---|--|-------|-------------------------|-------------|---|--|
| /redfish/v1/Oem/Supercraco/ DumpService/Dumps | | | | | | |
| /redfish/v1/Oem/Supercraco/ DumpService/Dumps/Host- CrashDump | | | | | | |
| /redfish/v1/Oem/Supercraco/ DumpService/Dumps/ HostCrashDump/Actions/ SmcDump.Download | | POST | | | { | |
| /redfish/v1/Oem/Supercraco/ DumpService/Dumps/BM- CEvidenceDump | | | | | | |
| /redfish/v1/Oem/Supercraco/ DumpService/Dumps/BM- CEvidenceDump/Actions/ SmcBMCEvidenceDump. Download | | POST | | | { | |
| /redfish/v1/Oem/Supercraco/ DumpService/Dumps/BM- CEvidenceDump/Actions/ SmcBMCEvidenceDump. Generate | | POST | | | { | |
| /redfish/v1/Registries | | | | | | |
| /redfish/v1/Registries/Base | | | | | | |
| /redfish/v1/Registries/Event | | | | | | |
| /redfish/v1/Registries/SMC | | | | | | |
| /redfish/v1/SessionService | | PATCH | SessionTimeout | 30 - 86400 | { "SessionTimeout" : 9999 } | |
| /redfish/v1/SessionService/ Sessions | | | | | | |
| /redfish/v1/SessionService/ Sessions[session_num] | | | | | | |
| /redfish/v1/Systems | | | | | | |
| /redfish/v1/Systems/1 | | PATCH | IndicatorLED | Off, Lit | { "IndicatorLED": "Off" } | |
| /redfish/v1/Systems/1/Log- Services | | | | | | |
| /redfish/v1/Systems/1/Log- Services/Log1 | | | | | | |
| /redfish/v1/Systems/1/ LogServices/Log1/Actions/ LogService.ClearLog | | POST | | | { | Clear system manage- ment logs |
| /redfish/v1/Systems/1/Log- Services/Log1/Actions/Oem/ SmcLogService.ClearAc- knowledgements | | POST | | | { | Clear acknowledgements of system management logs |
| /redfish/v1/Systems/1/Log- Services/Log1/Entries | | | | | | |
| /redfish/v1/Systems/1/ LogServices/Log1/Entries/ [log_num] | | PATCH | MarkAsAcknowl- edged | true, false | { "Oem":{ "Supercraco":{ "MarkAsAc- knowledged": false } } } | |
| /redfish/v1/TaskMonitor/ [task_num] | | | | | | |


| | | | | | | |
|---|--|-------|----------------|-------------|-----------------------------------|--|
| /redfish/v1/TaskService | | PATCH | ServiceEnabled | true, false | { "ServiceEnabled" : true } | |
| /redfish/v1/TaskService/ Tasks | | | | | | |
| /redfish/v1/TaskService/ Tasks/{task_num] | | | | | | |
| /redfish/v1/TelemetryService | | | | | | |
| /redfish/v1/TelemetryService/ MetricDefinitions | | | | | | |
| /redfish/v1/TelemetryService/ MetricDefinitions/AvgPower- ConsumedDay | | | | | | |
| /redfish/v1/TelemetryService/ MetricDefinitions/AvgPower- ConsumedHour | | | | | | |
| /redfish/v1/TelemetryService/ MetricDefinitions/AvgPower- ConsumedWeek | | | | | | |
| /redfish/v1/TelemetryService/ MetricDefinitions/MaxPower- ConsumedDay | | | | | | |
| /redfish/v1/TelemetryService/ MetricDefinitions/MaxPower- ConsumedHour | | | | | | |
| /redfish/v1/TelemetryService/ MetricDefinitions/MaxPower- ConsumedWeek | | | | | | |
| /redfish/v1/TelemetryService/ MetricDefinitions/MinPower- ConsumedDay | | | | | | |
| /redfish/v1/TelemetryService/ MetricDefinitions/MinPower- ConsumedHour | | | | | | |
| /redfish/v1/TelemetryService/ MetricDefinitions/MinPower- ConsumedWeek | | | | | | |
| /redfish/v1/TelemetryService/ MetricReportDefinitions | | | | | | |
| /redfish/v1/TelemetryService/ MetricReportDefinitions/Avg- PowerConsumptionDay | | | | | | |
| /redfish/v1/TelemetryService/ MetricReportDefinitions/Avg- PowerConsumptionHour | | | | | | |
| /redfish/v1/TelemetryService/ MetricReportDefinitions/Avg- PowerConsumptionWeek | | | | | | |
| /redfish/v1/TelemetryService/ MetricReportDefinitions/Max- PowerConsumptionDay | | | | | | |
| /redfish/v1/TelemetryService/ MetricReportDefinitions/Max- PowerConsumptionHour | | | | | | |
| /redfish/v1/TelemetryService/ MetricReportDefinitions/Max- PowerConsumptionWeek | | | | | | |

| | | | | | | |
|---|--|------|------------------|--------------------------|--|--|
| /redfish/v1/TelemetryService/ MetricReportDefinitions/Min- PowerConsumptionDay | | | | | | |
| /redfish/v1/TelemetryService/ MetricReportDefinitions/Min- PowerConsumptionHour | | | | | | |
| /redfish/v1/TelemetryService/ MetricReportDefinitions/Min- PowerConsumptionWeek | | | | | | |
| /redfish/v1/TelemetryService/ MetricReports | | | | | | |
| /redfish/v1/TelemetryService/ MetricReports/AvgPower- ConsumptionDay | | | | | | |
| /redfish/v1/TelemetryService/ MetricReports/AvgPower- ConsumptionHour | | | | | | |
| /redfish/v1/TelemetryService/ MetricReports/AvgPower- ConsumptionWeek | | | | | | |
| /redfish/v1/TelemetryService/ MetricReports/MaxPower- ConsumptionDay | | | | | | |
| /redfish/v1/TelemetryService/ MetricReports/MaxPower- ConsumptionHour | | | | | | |
| /redfish/v1/TelemetryService/ MetricReports/MaxPower- ConsumptionWeek | | | | | | |
| /redfish/v1/TelemetryService/ MetricReports/MinPower- ConsumptionDay | | | | | | |
| /redfish/v1/TelemetryService/ MetricReports/MinPower- ConsumptionHour | | | | | | |
| /redfish/v1/TelemetryService/ MetricReports/MinPower- ConsumptionWeek | | | | | | |
| /redfish/v1/UpdateService | | | | | | |
| /redfish/v1/UpdateService/ Actions/Oem/SmcUpdate- Service.Install | | POST | Targets | | { "Targets":["/redfish/v1/Managers/1"], "InstallOptions": ["UpdateGolden"] } | |
| | | POST | InstallOptions | UpdateGolden, Recover | | |
| /redfish/v1/UpdateService/ Actions/UpdateService. SimpleUpdate | | POST | Targets | | { "Targets": ["/redfish/v1/Managers/1"], "TransferProtocol": "HTTP" , "ImageURI": "172.31.35.94/ ISO/CMM_AST2600-ROT20- B401MS_20240820_01.00.18_ STDsp.bin" } | |
| | | POST | TransferProtocol | | | |
| | | POST | ImageURI | | | |
| /redfish/v1/UpdateService/ Actions/UpdateService. StartUpdate | | POST | | | | |
| /redfish/v1/UpdateService/ FirmwareInventory | | | | | | |
| /redfish/v1/UpdateService/ FirmwareInventory/Back- up_BMC | | | | | | |

| | | | | | | |
|--|--|------|------------------------------|--|--|--|
| /redfish/v1/UpdateService/ FirmwareInventory/BMC | | | | | | |
| /redfish/v1/UpdateService/ FirmwareInventory/Gold- en_BMC | | | | | | |
| /redfish/v1/UpdateService/ FirmwareInventory/Stag- ing_BMC | | | | | | |
| /redfish/v1/UpdateService/ Oem/Supernmicro/InstallAc- tionInfo | | | | | | |
| /redfish/v1/UpdateService/ Oem/Supernmicro/IPMIConfig | | | | | | |
| /redfish/v1/UpdateService/ Oem/Supernmicro/IPMICon- fig/Actions/SmcIPMIConfig. Download | | POST | | | { | used to download IPMI configuration as a file |
| /redfish/v1/UpdateService/ Oem/Supernmicro/IPMICon- fig/Actions/SmcIPMIConfig. Upload | | POST | ipmi_config_file | | { "ipmi_config_file": "C:\Users\public\ save_config.bin" } | used to upload new IPMI configuration file to set BMC |
| /redfish/v1/UpdateService/ Oem/Supernmicro/SSLCert | | | | | | view current SSL certifi- cation information |
| /redfish/v1/UpdateService/ Oem/Supernmicro/SSLCert/ Actions/SmcSSLCert.Upload | | POST | cert_file, key_file | | { "cert_file": "C:\cert_file\certificate. pem", "key_file": "C:\cert_file\pri- vate_key.pem" } | used to upload new SSL certification file |
| /redfish/v1/UpdateService/ SimpleUpdateActionInfo | | | | | | |
| /redfish/v1/UpdateService/ upload | | POST | Targets | | UpdateParameters: { "Targets": ["/redfish/v1/Manag- ers/1"], "@Redfish.OperationAp- plyTime": "Immediate", "Oem": {"Supernmicro": {"BMC": { "PreserveCfg": false, "Pre- serveSdr": true, "PreserveSsl": true, "BackupBMC": true } } } } filename: CMM_AST2600-ROT20- B401MS_20241121_01.01.04_ STDsp.bin | Post Body with multipart/ form-data for MultipartH- ttpPushUri |
| | | POST | '@Redfish.OperationApplyTime | | | |
| | | POST | | | | |

The following Redfish URI APIs and commands are unique and apply to CMM-6 BMC Firmware versions **01.02.XX and above**. This table lists the supported versions and payload details.

| Redfish URI | Support Version | Payload | | | | Notes |
|--|-----------------|------------|--------------------|-----------------------------|---|-------------------------------------|
| | | Operations | Properties | Accept String | Example | |
| /redfish/v1/Chassis/1/CMMNeighbor | | PATCH | EnableC-MMNeighbor | | { "EnableCMMNeighbor": false } | |
| /redfish/v1/Managers/1/Oem/Supermicro/BladeNetwork | | PATCH | AlwaysApplyNetwork | | { "AlwaysApplyNetwork": false } | |
| /redfish/v1/Oem/Supermicro/Switch | | | | | | |
| /redfish/v1/Oem/Supermicro/Switch/[SwitchNum] | | PATCH | UID | | { "UID": "Off" } | |
| /redfish/v1/Oem/Supermicro/Switch/[SwitchNum]/Actions/SwitchStatus.Service | | POST | ActionType | HWReboot and ResetToDefault | OemSwitchActions: { "Action-Type": "HWReboot" } | Post Body with multi-part/form-data |
| /redfish/v1/UpdateService/FirmwareInventory/BPN_BBP | | | | | | |
| /redfish/v1/UpdateService/FirmwareInventory/DUMMY_SWITCH | | | | | | |
| /redfish/v1/UpdateService/FirmwareInventory/SlaveCMM | | | | | | |

 **Note:** To ensure compatibility with the new features support, make sure to use SAA 1.3.0 Linux and Windows with CMM FW 1.02.XX and above.

| Redfish URI | Support Version | Payload | | | | Notes |
|---|-----------------|------------|------------|---------------|---------|-------|
| | | Operations | Properties | Accept String | Example | |
| /redfish/v1/Chassis/Blade_[BladeNum]_Node_[NodeNum] | 1.02.xx | | | | | |
| /redfish/v1/Chassis/Blade_[BladeNum]_Node_[NodeNum]/PowerSubsystem/PowerSupplies/[PowerSupplyId]/Assembly | 1.02.xx | | | | | |
| /redfish/v1/Chassis/Blade_[BladeNum]_Node_[NodeNum]/PowerSubsystem/PowerSupplies/[PowerSupplyId] | 1.02.xx | | | | | |

| | | | | | | |
|--|---------|--|--|--|---|--|
| /redfish/v1/Chassis/Blade_ [BladeNum]_Node_[Node- Num]/EnvironmentMetrics | 1.02.xx | | | | | |
| /redfish/v1/Chassis/Blade_ [BladeNum]_Node_[Node- Num]/Thermal | 1.02.xx | | | | | |
| /redfish/v1/Chassis/Blade_ [BladeNum]_Node_[Node- Num]/ThermalSubsystem | 1.02.xx | | | | | |
| /redfish/v1/Chassis/Blade_ [BladeNum]_Node_[Node- Num]/ThermalSubsystem/ ThermalMetrics | 1.02.xx | | | | { | |
| /redfish/v1/Chassis/Blade_ [BladeNum]_Node_[Node- Num]/Power | 1.02.xx | | | | | |
| /redfish/v1/Chassis/Blade_ [BladeNum]_Node_[Node- Num]/PowerSubsystem | 1.02.xx | | | | | |
| /redfish/v1/Chassis/Blade_ [BladeNum]_Node_[Node- Num]/PowerSubsystem/ PowerSupplies | 1.02.xx | | | | | |
| /redfish/v1/Chassis/Blade_ [BladeNum]_Node_[Node- Num]/PowerSubsystem/ PowerSupplies/[PowerSup- plyId]/Metrics | 1.02.xx | | | | | |
| /redfish/v1/Chassis/Blade_ [BladeNum]_Node_[Node- Num]/Sensors | 1.02.xx | | | | | |
| /redfish/v1/Chassis/Blade_ [BladeNum]_Node_[Node- Num]/Sensors/[SensorName] | 1.02.xx | | | | | |
| /redfish/v1/Chassis/Blade_ [BladeNum]_Node_[Node- Num]/NetworkAdapters | 1.02.xx | | | | | |
| /redfish/v1/Chassis/Blade_ [BladeNum]_Node_[Node- Num]/NetworkAdapters/ [adapter_num] | 1.02.xx | | | | | |
| /redfish/v1/Chassis/Blade_ [BladeNum]_Node_[Node- Num]/NetworkAdapters/ [adapter_num]/Ports | 1.02.xx | | | | | |
| /redfish/v1/Chassis/Blade_ [BladeNum]_Node_[Node- Num]/NetworkAdapters/ [adapter_num]/Ports/ [np_num] | 1.02.xx | | | | | |
| /redfish/v1/Chassis/Blade_ [BladeNum]_Node_[Node- Num]/NetworkAdapters/ [adapter_num]/NetworkDe- viceFunctions | 1.02.xx | | | | | |
| /redfish/v1/Chassis/Blade_ [BladeNum]_Node_[Node- Num]/NetworkAdapters/ [adapter_num]/NetworkDe- viceFunctions/[ndf_num] | 1.02.xx | | | | | |

| | | | | | | |
|--|---------|--|--|--|--|--|
| /redfish/v1/Chassis/Blade_ [BladeNum]_Node_[Node- Num]/PCleSlots | 1.02.xx | | | | | |
| /redfish/v1/Chassis/Blade_ [BladeNum]_Node_[Node- Num]/PCleDevices | 1.02.xx | | | | | |
| /redfish/v1/Chassis/ Blade_[BladeNum]_Node_ [NodeNum]/PCleDevices/ NIC[aoc_card_num] | 1.02.xx | | | | | |
| /redfish/v1/Chassis/Blade_ [BladeNum]_Node_[Node- Num]/PCleDevices/NIC[aoc_ card_num]/PCleFunctions | 1.02.xx | | | | | |
| /redfish/v1/Chassis/Blade_ [BladeNum]_Node_[Node- Num]/PCleDevices/NIC[aoc_ card_num]/PCleFunctions/ [port_num] | 1.02.xx | | | | | |
| /redfish/v1/Chassis/ Blade_[BladeNum]_Node_ [NodeNum]/PCleDevices/ GPU[gpu_card_num] | 1.02.xx | | | | | |
| /redfish/v1/Chassis/ Blade_[BladeNum]_Node_ [NodeNum]/PCleDevices/ GPU[gpu_card_num]/PCle- Functions | 1.02.xx | | | | | |
| /redfish/v1/Chassis/ Blade_[BladeNum]_Node_ [NodeNum]/PCleDevices/ GPU[gpu_card_num]/PCle- Functions/[gpu_instance_ num] | 1.02.xx | | | | | |
| /redfish/v1/Chassis/ Blade_[BladeNum]_Node_ [NodeNum]/PCleDevices/ NVMeSSD[nvme_ssd_num] | 1.02.xx | | | | | |
| /redfish/v1/Chassis/ Blade_[BladeNum]_Node_ [NodeNum]/PCleDevices/ NVMeSSD[nvme_ssd_num]/ PCleFunctions | 1.02.xx | | | | | |
| /redfish/v1/Chassis/ Blade_[BladeNum]_Node_ [NodeNum]/PCleDevices/ NVMeSSD[nvme_ssd_num]/ PCleFunctions/[nvme_ssd_ instance_num] | 1.02.xx | | | | | |
| /redfish/v1/Chassis/Blade_ [BladeNum]_Node_[Node- Num]/HA-RAID.[control- ler_num].StorageEnclosure. [enclosure_num] | 1.02.xx | | | | | |
| /redfish/v1/Chassis/Blade_ [BladeNum]_Node_[Node- Num]/HA-RAID.[control- ler_num].StorageEnclosure. [enclosure_num]/Drives/ Disk.Bay.[disk_num] | 1.02.xx | | | | | |

| | | | | | | |
|---|---------|--|--|--|--|--|
| /redfish/v1/Chassis/Blade_ [BladeNum]_Node_[Node- Num]/HA-RAID.[control- ler_num].StorageEnclosure. [enclosure_num]/Drives/ Disk.Bay.[disk_num]/Actions/ Oem/SmcDrive.Indicate | 1.02.xx | | | | | |
| /redfish/v1/Chassis/Blade_ [BladeNum]_Node_[Node- Num]/HA-RAID.[control- ler_num].StorageEnclosure. [enclosure_num]/Drives/ Disk.Bay.[disk_num]/Actions/ Drive.SecureErase | 1.02.xx | | | | | |
| /redfish/v1/Chassis/Blade_ [BladeNum]_Node_[Node- Num]/HA-RAID.[control- ler_num].StorageEnclosure. [enclosure_num]/Drives/ Disk.Bay.[disk_num]/Actions/ Oem/SmcDrive.SecureEr- aseAbort | 1.02.xx | | | | | |
| /redfish/v1/Chassis/Blade_ [BladeNum]_Node_[Node- Num]/HA-RAID.[control- ler_num].StorageEnclosure. [enclosure_num]/Drives/ Disk.Bay.[disk_num]/Actions/ Oem/SmcDrive.AssignSpare | 1.02.xx | | | | | |
| /redfish/v1/Chassis/Blade_ [BladeNum]_Node_[Node- Num]/HA-RAID.[control- ler_num].StorageEnclosure. [enclosure_num]/Drives/ Disk.Bay.[disk_num]/Actions/ Oem/SmcDrive.DeleteSpare | 1.02.xx | | | | | |
| /redfish/v1/Chassis/Blade_ [BladeNum]_Node_[Node- Num]/HA-RAID.[control- ler_num].StorageEnclosure. [enclosure_num]/Drives/ Disk.Bay.[disk_num]/Oem/ Supermicro/IndicateAc- tionInfo | 1.02.xx | | | | | |
| /redfish/v1/Chassis/Blade_ [BladeNum]_Node_[Node- Num]/HA-RAID.[control- ler_num].StorageEnclosure. [enclosure_num]/Drives/ Disk.Bay.[disk_num]/Oem/ Supermicro/AssignSpareAc- tionInfo | 1.02.xx | | | | | |
| /redfish/v1/Chassis/Blade_ [BladeNum]_Node_[Node- Num]/HBA.[controller_num]. StorageEnclosure.[enclo- sure_num] | 1.02.xx | | | | | |
| /redfish/v1/Chassis/Blade_ [BladeNum]_Node_[Node- Num]/HBA.[controller_num]. StorageEnclosure.[enclo- sure_num]/Drives/Disk.Bay. [disk_num] | 1.02.xx | | | | | |

| | | | | | | |
|---|---------|--|--|--|--|--|
| /redfish/v1/Chassis/Blade_[BladeNum]_Node_[NodeNum]/HBA.[controller_num].StorageEnclosure.[enclosure_num]/Drives/Disk.Bay.[disk_num]/Actions/Oem/SmcDrive.Indicate | 1.02.xx | | | | | |
| /redfish/v1/Chassis/Blade_[BladeNum]_Node_[NodeNum]/HBA.[controller_num].StorageEnclosure.[enclosure_num]/Drives/Disk.Bay.[disk_num]/IndicateActionInfo | 1.02.xx | | | | | |
| /redfish/v1/Chassis/Blade_[BladeNum]_Node_[NodeNum]/HBA.[controller_num].StorageEnclosure.[enclosure_num]/Drives/Disk.Bay.[disk_num]/Oem/Supermicro/IndicateActionInfo | 1.02.xx | | | | | |
| /redfish/v1/Chassis/Blade_[BladeNum]_Node_[NodeNum]/HA-RAID.[controller_num].StorageEnclosure.[enclosure_num]/Drives/Disk.Bay.[disk_num]/Actions/Oem/SupermicroDrive.DeleteJBOD | 1.02.xx | | | | | |
| /redfish/v1/Chassis/Blade_[BladeNum]_Node_[NodeNum]/HA-RAID.[controller_num].StorageEnclosure.[enclosure_num]/Drives/Disk.Bay.[disk_num]/Actions/Oem/SupermicroDrive.AssignJBOD | 1.02.xx | | | | | |
| /redfish/v1/Chassis/Blade_[BladeNum]_Node_[NodeNum]/StorageBackplane | 1.02.xx | | | | | |
| /redfish/v1/Chassis/Blade_[BladeNum]_Node_[NodeNum]/StorageBackplane/Drives/Disk.Bay.[disk_num] | 1.02.xx | | | | | |
| /redfish/v1/Chassis/Blade_[BladeNum]_Node_[NodeNum]/NVMeSSD.[pcie_controller_num].Group.[group_num].StorageBackplane | 1.02.xx | | | | | |
| /redfish/v1/Chassis/Blade_[BladeNum]_Node_[NodeNum]/NVMeSSD.[pcie_controller_num].Group.[group_num].StorageBackplane/Drives/Disk.Bay.[disk_num] | 1.02.xx | | | | | |

| | | | | | | |
|---|---------|--|--|--|--|--|
| /redfish/v1/Chassis/Blade_[BladeNum]_Node_[NodeNum]/NVMeSSD.[pcie_controller_num].Group.[group_num].StorageBackplane/Drives/Disk.Bay.[disk_num]/Actions/Oem/SmcDrive.Indicate | 1.02.xx | | | | | |
| /redfish/v1/Chassis/Blade_[BladeNum]_Node_[NodeNum]/NVMeSSD.[pcie_controller_num].Group.[group_num].StorageBackplane/Drives/Disk.Bay.[disk_num]/Actions/Oem/OemDrive.Insert | 1.02.xx | | | | | |
| /redfish/v1/Chassis/Blade_[BladeNum]_Node_[NodeNum]/NVMeSSD.[pcie_controller_num].Group.[group_num].StorageBackplane/Drives/Disk.Bay.[disk_num]/Actions/Oem/OemDrive.Eject | 1.02.xx | | | | | |
| /redfish/v1/Chassis/Blade_[BladeNum]_Node_[NodeNum]/NVMeSSD.[pcie_controller_num].Group.[group_num].StorageBackplane/Drives/Disk.Bay.[disk_num]/Oem/Supermicro/IndicateActionInfo | 1.02.xx | | | | | |
| /redfish/v1/Chassis/Blade_[BladeNum]_Node_[NodeNum]/MRVL.HA-RAID.[controller_num].StorageModule | 1.02.xx | | | | | |
| /redfish/v1/Chassis/Blade_[BladeNum]_Node_[NodeNum]/MRVL.HA-RAID.[controller_num].StorageModule/Drives/Disk.Bay.[disk_num] | 1.02.xx | | | | | |
| /redfish/v1/Managers/Blade_[BladeNum]_Node_[NodeNum] | 1.02.xx | | | | | |
| /redfish/v1/Managers/Blade_[BladeNum]_Node_[NodeNum]/DedicatedNetworkPorts | 1.02.xx | | | | | |
| /redfish/v1/Managers/Blade_[BladeNum]_Node_[NodeNum]/DedicatedNetworkPorts/[num] | 1.02.xx | | | | | |
| /redfish/v1/Managers/Blade_[BladeNum]_Node_[NodeNum]/PrivilegeRegistry | 1.02.xx | | | | | |
| /redfish/v1/Managers/Blade_[BladeNum]_Node_[NodeNum]/Actions/Manager.Reset | 1.02.xx | | | | | |

| | | | | | | |
|--|---------|--|--|--|--|--|
| /redfish/v1/Managers/Blade_[BladeNum]_Node_[NodeNum]/Actions/Oem/SmcManagerConfig.Reset | 1.02.xx | | | | | |
| /redfish/v1/Managers/Blade_[BladeNum]_Node_[NodeNum]/Oem/Supermicro/ResetActionInfo | 1.02.xx | | | | | |
| /redfish/v1/Managers/Blade_[BladeNum]_Node_[NodeNum]/SerialInterfaces | 1.02.xx | | | | | |
| /redfish/v1/Managers/Blade_[BladeNum]_Node_[NodeNum]/SerialInterfaces/[service_num] | 1.02.xx | | | | | |
| /redfish/v1/Managers/Blade_[BladeNum]_Node_[NodeNum]/LogServices | 1.02.xx | | | | | |
| /redfish/v1/Managers/Blade_[BladeNum]_Node_[NodeNum]/LogServices/Log1 | 1.02.xx | | | | | |
| /redfish/v1/Managers/Blade_[BladeNum]_Node_[NodeNum]/LogServices/Log1/Actions/LogService.ClearLog | 1.02.xx | | | | | |
| /redfish/v1/Managers/Blade_[BladeNum]_Node_[NodeNum]/LogServices/Log1/Entries | 1.02.xx | | | | | |
| /redfish/v1/Managers/Blade_[BladeNum]_Node_[NodeNum]/LogServices/Log1/Entries/[log_num] | 1.02.xx | | | | | |
| /redfish/v1/Managers/Blade_[BladeNum]_Node_[NodeNum]/VirtualMedia | 1.02.xx | | | | | |
| /redfish/v1/Managers/Blade_[BladeNum]_Node_[NodeNum]/VirtualMedia/CD[mounted_dev_num] | 1.02.xx | | | | | |
| /redfish/v1/Managers/Blade_[BladeNum]_Node_[NodeNum]/VirtualMedia/CD[mounted_dev_num]/Actions/VirtualMedia.InsertMedia | 1.02.xx | | | | | |
| /redfish/v1/Managers/Blade_[BladeNum]_Node_[NodeNum]/VirtualMedia/CD[mounted_dev_num]/InsertMediaActionInfo | 1.02.xx | | | | | |
| /redfish/v1/Managers/Blade_[BladeNum]_Node_[NodeNum]/VirtualMedia/CD[mounted_dev_num]/Actions/VirtualMedia.EjectMedia | 1.02.xx | | | | | |
| /redfish/v1/Managers/Blade_[BladeNum]_Node_[NodeNum]/VirtualMedia/Floppy[mounted_dev_num] | 1.02.xx | | | | | |

| | | | | | | |
|--|---------|--|--|--|--|--|
| /redfish/v1/Managers/Blade_[BladeNum]_Node_[NodeNum]/VirtualMedia/VirtualMedia[mounted_dev_num] | 1.02.xx | | | | | |
| /redfish/v1/Managers/Blade_[BladeNum]_Node_[NodeNum]/VirtualMedia/VirtualMedia[mounted_dev_num]/Actions/VirtualMedia.InsertMedia | 1.02.xx | | | | | |
| /redfish/v1/Managers/Blade_[BladeNum]_Node_[NodeNum]/VirtualMedia/VirtualMedia[mounted_dev_num]/InsertMediaActionInfo | 1.02.xx | | | | | |
| /redfish/v1/Managers/Blade_[BladeNum]_Node_[NodeNum]/VirtualMedia/VirtualMedia[mounted_dev_num]/Actions/VirtualMedia.EjectMedia | 1.02.xx | | | | | |
| /redfish/v1/Managers/Blade_[BladeNum]_Node_[NodeNum]/EthernetInterfaces | 1.02.xx | | | | | |
| /redfish/v1/Managers/Blade_[BladeNum]_Node_[NodeNum]/EthernetInterfaces/[eth_num] | 1.02.xx | | | | | |
| /redfish/v1/Managers/Blade_[BladeNum]_Node_[NodeNum]/EthernetInterfaces/ToHost | 1.02.xx | | | | | |
| /redfish/v1/Managers/Blade_[BladeNum]_Node_[NodeNum]/HostInterfaces | 1.02.xx | | | | | |
| /redfish/v1/Managers/Blade_[BladeNum]_Node_[NodeNum]/HostInterfaces/1 | 1.02.xx | | | | | |
| /redfish/v1/Managers/Blade_[BladeNum]_Node_[NodeNum]/HostInterfaces/1/HostEthernetInterfaces | 1.02.xx | | | | | |
| /redfish/v1/Managers/Blade_[BladeNum]_Node_[NodeNum]/NetworkProtocol | 1.02.xx | | | | | |
| /redfish/v1/Managers/Blade_[BladeNum]_Node_[NodeNum]/NetworkProtocol/HTTPS/Certificates | 1.02.xx | | | | | |
| /redfish/v1/Managers/Blade_[BladeNum]_Node_[NodeNum]/NetworkProtocol/HTTPS/Certificates/1 | 1.02.xx | | | | | |
| /redfish/v1/Managers/Blade_[BladeNum]_Node_[NodeNum]/NetworkProtocol/HTTPS/Certificates/1/Actions/Certificate.Rekey | 1.02.xx | | | | | |

| | | | | | | |
|---|---------|--|--|--|--|--|
| /redfish/v1/Managers/Blade_[BladeNum]_Node_[NodeNum]/NetworkProtocol/HTTPS/Certificates/1/Rekey-ActionInfo | 1.02.xx | | | | | |
| /redfish/v1/Managers/Blade_[BladeNum]_Node_[NodeNum]/NetworkProtocol/HTTPS/Certificates/1/Actions/Certificate.Renew | 1.02.xx | | | | | |
| /redfish/v1/Managers/Blade_[BladeNum]_Node_[NodeNum]/Oem/Supermicro/MemoryPFA | 1.02.xx | | | | | |
| /redfish/v1/Managers/Blade_[BladeNum]_Node_[NodeNum]/Oem/Supermicro/MemoryHealthComp | 1.02.xx | | | | | |
| /redfish/v1/Managers/Blade_[BladeNum]_Node_[NodeNum]/Oem/Supermicro/MouseMode | 1.02.xx | | | | | |
| /redfish/v1/Managers/Blade_[BladeNum]_Node_[NodeNum]/Oem/Supermicro/Snooping | 1.02.xx | | | | | |
| /redfish/v1/Managers/Blade_[BladeNum]_Node_[NodeNum]/Oem/Supermicro/Syslog | 1.02.xx | | | | | |
| /redfish/v1/Managers/Blade_[BladeNum]_Node_[NodeNum]/Oem/Supermicro/RADIUS | 1.02.xx | | | | | |
| /redfish/v1/Managers/Blade_[BladeNum]_Node_[NodeNum]/Oem/Supermicro/SMCRACKP | 1.02.xx | | | | | |
| /redfish/v1/Managers/Blade_[BladeNum]_Node_[NodeNum]/Oem/Supermicro/IPAccessControl | 1.02.xx | | | | | |
| /redfish/v1/Managers/Blade_[BladeNum]_Node_[NodeNum]/Oem/Supermicro/IPAccessControl/FilterRules | 1.02.xx | | | | | |
| /redfish/v1/Managers/Blade_[BladeNum]_Node_[NodeNum]/Oem/Supermicro/IPAccessControl/FilterRules/[rule_num] | 1.02.xx | | | | | |
| /redfish/v1/Managers/Blade_[BladeNum]_Node_[NodeNum]/Oem/Supermicro/NTP | 1.02.xx | | | | | |
| /redfish/v1/Managers/Blade_[BladeNum]_Node_[NodeNum]/Oem/Supermicro/LLDP | 1.02.xx | | | | | |
| /redfish/v1/Managers/Blade_[BladeNum]_Node_[NodeNum]/Oem/Supermicro/SmartPower | 1.02.xx | | | | | |

| | | | | | | |
|---|---------|--|--|--|--|---|
| /redfish/v1/Managers/Blade_ [BladeNum]_Node_[Node- Num]/Oem/Supermicro/KVM | 1.02.xx | | | | | |
| /redfish/v1/Managers/Blade_ [BladeNum]_Node_[Node- Num]/Oem/Supermicro/ KCSInterface | 1.02.xx | | | | | |
| /redfish/v1/Managers/Blade_ [BladeNum]_Node_[Node- Num]/Oem/Supermicro/ SysLockdown | 1.02.xx | | | | | |
| /redfish/v1/Managers/Blade_ [BladeNum]_Node_[Node- Num]/LicenseManager | 1.02.xx | | | | | |
| /redfish/v1/Managers/Blade_ [BladeNum]_Node_[Node- Num]/LicenseManager/ Actions/LicenseManager. ActivateLicense | 1.02.xx | | | | | |
| /redfish/v1/Managers/Blade_ [BladeNum]_Node_[Node- Num]/LicenseManager/ QueryLicense | 1.02.xx | | | | | |
| /redfish/v1/Managers/Blade_ [BladeNum]_Node_[Node- Num]/LicenseManager/ Actions/LicenseManager. ClearLicense | 1.02.xx | | | | | |
| /redfish/v1/Systems/Blade_ [BladeNum]_Node_[Node- Num]/Actions/ComputerSys- tem.Decommission | 1.02.xx | | | | | |
| /redfish/v1/Systems/Blade_ [BladeNum]_Node_[Node- Num]/Actions/ComputerSys- tem.Reset | 1.02.xx | | | | | |
| /redfish/v1/Managers/Blade_ [BladeNum]_Node_[Node- Num]/Actions/Manager. ResetToDefaults | 1.02.xx | | | | | |
| /redfish/v1/Systems/Blade_ [BladeNum]_Node_[Node- Num] | 1.02.xx | | | | | <pre> { ... "Description": "Blade A1 Node1", ... "Oem": { "Supermicro": { "Node": { "Status": { "ErrorSta- tus": "Normal" }, "Informa- tion": { "Board- Model": "BH12SSI" } } } }, ... } </pre> |

| | | | | | | |
|--|---------|--|--|--|--|--|
| /redfish/v1/Systems/Blade_ [BladeNum]_Node_[Node- Num]/ResetActionInfo | 1.02.xx | | | | | |
| /redfish/v1/Systems/Blade_ [BladeNum]_Node_[Node- Num]/Processors | 1.02.xx | | | | | |
| /redfish/v1/Systems/Blade_ [BladeNum]_Node_[Node- Num]/Processors/[proces- sor_num] | 1.02.xx | | | | | |
| /redfish/v1/Systems/ Blade_[BladeNum]_Node_ [NodeNum]/Processors/ [processor_num]/Environ- mentMetrics | 1.02.xx | | | | | |
| /redfish/v1/Systems/Blade_ [BladeNum]_Node_[Node- Num]/Processors/[proces- sor_num]/ProcessorMetrics | 1.02.xx | | | | | |
| /redfish/v1/Systems/Blade_ [BladeNum]_Node_[Node- Num]/ProcessorSummary/ ProcessorMetrics | 1.02.xx | | | | | |
| /redfish/v1/Systems/Blade_ [BladeNum]_Node_[Node- Num]/Memory | 1.02.xx | | | | | |
| /redfish/v1/Systems/Blade_ [BladeNum]_Node_[Node- Num]/Memory/[num] | 1.02.xx | | | | | |
| /redfish/v1/Systems/ Blade_[BladeNum]_Node_ [NodeNum]/Memory/[num]/ EnvironmentMetrics | 1.02.xx | | | | | |
| /redfish/v1/Systems/ Blade_[BladeNum]_Node_ [NodeNum]/Memory/1/Mem- oryMetrics | 1.02.xx | | | | | |
| redfish/v1/Systems/1/Memo- rySummary/MemoryMetrics | 1.02.xx | | | | | |
| /redfish/v1/Systems/Blade_ [BladeNum]_Node_[Node- Num]/EthernetInterfaces | 1.02.xx | | | | | |
| /redfish/v1/Systems/Blade_ [BladeNum]_Node_[Node- Num]/EthernetInterfaces/ [eth_num] | 1.02.xx | | | | | |
| /redfish/v1/Systems/Blade_ [BladeNum]_Node_[Node- Num]/EthernetInterfaces/ [eth_num]/VLANs | 1.02.xx | | | | | |
| /redfish/v1/Systems/Blade_ [BladeNum]_Node_[Node- Num]/EthernetInterfaces/ [eth_num]/VLANs/[vlan_in- stance] | 1.02.xx | | | | | |
| /redfish/v1/Systems/Blade_ [BladeNum]_Node_[Node- Num]/EthernetInterfaces/ ToManager | 1.02.xx | | | | | |

| | | | | | | |
|--|---------|--|--|--|--|--|
| /redfish/v1/Systems/Blade_ [BladeNum]_Node_[Node- Num]/Storage | 1.02.xx | | | | | |
| /redfish/v1/Systems/Blade_ [BladeNum]_Node_[Node- Num]/Storage/StorageCon- troller_[num] | 1.02.xx | | | | | |
| /redfish/v1/Systems/Blade_ [BladeNum]_Node_[Node- Num]/Storage/HA-RAID | 1.02.xx | | | | | |
| /redfish/v1/Systems/Blade_ [BladeNum]_Node_[Node- Num]/Storage/HA-RAID/ Controllers | 1.02.xx | | | | | |
| /redfish/v1/Systems/Blade_ [BladeNum]_Node_[Node- Num]/Storage/HA-RAID/ Controllers/num | 1.02.xx | | | | | |
| /redfish/v1/Systems/Blade_ [BladeNum]_Node_[Node- Num]/Storage/HA-RAID/ Volumes | 1.02.xx | | | | | |
| /redfish/v1/Systems/ Blade_[BladeNum]_Node_ [NodeNum]/Storage/HA- RAID/Volumes/Controller. [controller_num].Volume. [volume_num] | 1.02.xx | | | | | |
| /redfish/v1/Systems/ Blade_[BladeNum]_Node_ [NodeNum]/Storage/HA- RAID/Volumes/Controller. [controller_num].Volume. [volume_num]/Actions/Oem/ SmcVolume.Indicate | 1.02.xx | | | | | |
| /redfish/v1/Systems/ Blade_[BladeNum]_Node_ [NodeNum]/Storage/HA- RAID/Volumes/Controller. [controller_num].Volume.[vol- ume_num]/Oem/Supermicro/ IndicateActionInfo | 1.02.xx | | | | | |
| /redfish/v1/Systems/ Blade_[BladeNum]_Node_ [NodeNum]/Storage/HA- RAID/Volumes/Controller. [controller_num].Volume. [volume_num]/Actions/Oem/ SmcVolume.Delete | 1.02.xx | | | | | |
| /redfish/v1/Systems/Blade_ [BladeNum]_Node_[Node- Num]/Storage/HA-RAID/ Actions/Oem/SmcStorage. CreateVolume | 1.02.xx | | | | | |
| /redfish/v1/Systems/Blade_ [BladeNum]_Node_[Node- Num]/Storage/HA-RAID/ Oem/Supermicro/CreateVol- umeActionInfo | 1.02.xx | | | | | |

| | | | | | | |
|---|---------|--|--|--|--|--|
| /redfish/v1/Systems/Blade_ [BladeNum]_Node_[Node- Num]/Storage/HA-RAID/ Actions/Oem/SmcStorage. ClearVolumes | 1.02.xx | | | | | |
| /redfish/v1/Systems/Blade_ [BladeNum]_Node_[Node- Num]/Storage/HA-RAID/ Oem/Supermicro/ClearVol- umesActionInfo | 1.02.xx | | | | | |
| /redfish/v1/Systems/Blade_ [BladeNum]_Node_[Node- Num]/Storage/HA-RAID/ Actions/Oem/SmcHARAID- Controller.Save | 1.02.xx | | | | | |
| /redfish/v1/Systems/Blade_ [BladeNum]_Node_[Node- Num]/Storage/HA-RAID/ Oem/Supermicro/SaveAc- tionInfo /redfish/v1/Systems/ Blade_[BladeNum]_Node_ [NodeNum]/Storage/HBA | 1.02.xx | | | | | |
| /redfish/v1/Systems/ Blade_[BladeNum]_Node_ [NodeNum]/Storage/HBA/ Controllers | 1.02.xx | | | | | |
| /redfish/v1/Systems/ Blade_[BladeNum]_Node_ [NodeNum]/Storage/HBA/ Controllers/num | 1.02.xx | | | | | |
| /redfish/v1/Systems/Blade_ [BladeNum]_Node_[Node- Num]/Storage/HBA/Volumes | 1.02.xx | | | | | |
| /redfish/v1/Systems/ Blade_[BladeNum]_Node_ [NodeNum]/Storage/RAID- Integrated | 1.02.xx | | | | | |
| /redfish/v1/Systems/ Blade_[BladeNum]_Node_ [NodeNum]/Storage/RAIDIn- tegrated/Volumes | 1.02.xx | | | | | |
| /redfish/v1/Systems/Blade_ [BladeNum]_Node_[Node- Num]/Storage/RAIDIntegrat- ed/Volumes/[volume_num] | 1.02.xx | | | | | |
| /redfish/v1/Systems/Blade_ [BladeNum]_Node_[Node- Num]/Storage/SATAEmbed- ded | 1.02.xx | | | | | |
| /redfish/v1/Systems/Blade_ [BladeNum]_Node_[Node- Num]/Storage/SATAEmbed- ded/Volumes | 1.02.xx | | | | | |
| /redfish/v1/Systems/Blade_ [BladeNum]_Node_[Node- Num]/Storage/SATAEmbed- ded/Volumes/[volume_num] | 1.02.xx | | | | | |
| /redfish/v1/Systems/ Blade_[BladeNum]_Node_ [NodeNum]/Storage/MRVL. HA-RAID | 1.02.xx | | | | | |

| | | | | | | |
|--|---------|--|--|--|--|--|
| /redfish/v1/Systems/Blade_[BladeNum]_Node_[NodeNum]/Storage/MRVL.HA-RAID/Volumes | 1.02.xx | | | | | |
| /redfish/v1/Systems/Blade_[BladeNum]_Node_[NodeNum]/Storage/MRVL.HA-RAID/Volumes/Controller.[controller_num].Volume.[volume_num] | 1.02.xx | | | | | |
| /redfish/v1/Systems/Blade_[BladeNum]_Node_[NodeNum]/Storage/MRVL.HA-RAID/Volumes/Controller.[controller_num].Volume.[volume_num]/Actions/Oem/SmcVolume.DeleteVD | 1.02.xx | | | | | |
| /redfish/v1/Systems/Blade_[BladeNum]_Node_[NodeNum]/Storage/MRVL.HA-RAID/Volumes/Controller.[controller_num].Volume.[volume_num]/Actions/Oem/SmcVolume.RebuildVD | 1.02.xx | | | | | |
| /redfish/v1/Systems/Blade_[BladeNum]_Node_[NodeNum]/Storage/MRVL.HA-RAID/Volumes/Controller.[controller_num].Volume.[volume_num]/Actions/Oem/SmcVolume.ImportVD | 1.02.xx | | | | | |
| /redfish/v1/Systems/Blade_[BladeNum]_Node_[NodeNum]/Storage/MRVL.HA-RAID/Actions/Oem/SmcStorage.CreateVD | 1.02.xx | | | | | |
| /redfish/v1/Systems/Blade_[BladeNum]_Node_[NodeNum]/Storage/NVMeSSD | 1.02.xx | | | | | |
| /redfish/v1/Systems/Blade_[BladeNum]_Node_[NodeNum]/Bios | 1.02.xx | | | | | |
| /redfish/v1/Systems/Blade_[BladeNum]_Node_[NodeNum]/Bios/SD | 1.02.xx | | | | | |
| /redfish/v1/Systems/Blade_[BladeNum]_Node_[NodeNum]/Bios/Actions/Bios.ResetBios | 1.02.xx | | | | | |
| /redfish/v1/Systems/Blade_[BladeNum]_Node_[NodeNum]/Bios/Actions/Bios.ChangePassword | 1.02.xx | | | | | |
| /redfish/v1/Systems/Blade_[BladeNum]_Node_[NodeNum]/Bios/ChangePasswordActionInfo | 1.02.xx | | | | | |
| /redfish/v1/Systems/Blade_[BladeNum]_Node_[NodeNum]/LogServices | 1.02.xx | | | | | |

| | | | | | | |
|---|---------|--|--|--|--|--|
| /redfish/v1/Systems/Blade_ [BladeNum]_Node_[Node- Num]/LogServices/Log1 | 1.02.xx | | | | | |
| /redfish/v1/Systems/Blade_ [BladeNum]_Node_[Node- Num]/LogServices/Log1/Actions/LogService.ClearLog | 1.02.xx | | | | | |
| /redfish/v1/Systems/Blade_ [BladeNum]_Node_[Node- Num]/LogServices/Log1/Actions/Oem/SmcLogService. ClearAcknowledgements | 1.02.xx | | | | | |
| /redfish/v1/Systems/Blade_ [BladeNum]_Node_[Node- Num]/LogServices/Log1/Actions/Oem/SmcLogService. ClearAcknowledgments | 1.02.xx | | | | | |
| /redfish/v1/Systems/Blade_ [BladeNum]_Node_[Node- Num]/LogServices/Log1/ Entries | 1.02.xx | | | | | |
| /redfish/v1/Systems/Blade_ [BladeNum]_Node_[Node- Num]/LogServices/Log1/ Entries/[log_num] | 1.02.xx | | | | | |
| /redfish/v1/Systems/Blade_ [BladeNum]_Node_[Node- Num]/SecureBoot | 1.02.xx | | | | | |
| /redfish/v1/Systems/ Blade_[BladeNum]_Node_ [NodeNum]/SecureBoot/ SecureBootDatabases | 1.02.xx | | | | | |
| /redfish/v1/Systems/Blade_ [BladeNum]_Node_[Node- Num]/SecureBoot/Secure- BootDatabases/dbt | 1.02.xx | | | | | |
| /redfish/v1/Systems/Blade_ [BladeNum]_Node_[Node- Num]/SecureBoot/Secure- BootDatabases/dbr | 1.02.xx | | | | | |
| /redfish/v1/Systems/Blade_ [BladeNum]_Node_[Node- Num]/SecureBoot/Secure- BootDatabases/dbx | 1.02.xx | | | | | |
| /redfish/v1/Systems/Blade_ [BladeNum]_Node_[Node- Num]/SecureBoot/Secure- BootDatabases/PK | 1.02.xx | | | | | |
| /redfish/v1/Systems/Blade_ [BladeNum]_Node_[Node- Num]/SecureBoot/Secure- BootDatabases/KEK | 1.02.xx | | | | | |
| /redfish/v1/Systems/Blade_ [BladeNum]_Node_[Node- Num]/SecureBoot/Secure- BootDatabases/db | 1.02.xx | | | | | |
| /redfish/v1/Systems/ Blade_[BladeNum]_Node_ [NodeNum]/SecureBoot/ SecureBootDatabases/db/ Certificates | 1.02.xx | | | | | |

| | | | | | | |
|---|---------|--|--|--|--|--|
| /redfish/v1/Systems/ Blade_[BladeNum]_Node_ [NodeNum]/SecureBoot/ SecureBootDatabases/dbt/ Certificates | 1.02.xx | | | | | |
| /redfish/v1/Systems/ Blade_[BladeNum]_Node_ [NodeNum]/SecureBoot/ SecureBootDatabases/dbr/ Certificates | 1.02.xx | | | | | |
| /redfish/v1/Systems/ Blade_[BladeNum]_Node_ [NodeNum]/SecureBoot/ SecureBootDatabases/dbx/ Certificates | 1.02.xx | | | | | |
| /redfish/v1/Systems/ Blade_[BladeNum]_Node_ [NodeNum]/SecureBoot/ SecureBootDatabases/PK/ Certificates | 1.02.xx | | | | | |
| /redfish/v1/Systems/ Blade_[BladeNum]_Node_ [NodeNum]/SecureBoot/ SecureBootDatabases/KEK/ Certificates | 1.02.xx | | | | | |
| /redfish/v1/Systems/ Blade_[BladeNum]_Node_ [NodeNum]/SecureBoot/ SecureBootDatabases/dbx/ Signatures | 1.02.xx | | | | | |
| /redfish/v1/Systems/ Blade_[BladeNum]_Node_ [NodeNum]/SecureBoot/ SecureBootDatabases/PK/ Certificates/[num] | 1.02.xx | | | | | |
| /redfish/v1/Systems/ Blade_[BladeNum]_Node_ [NodeNum]/SecureBoot/ SecureBootDatabases/KEK/ Certificates/[num] | 1.02.xx | | | | | |
| /redfish/v1/Systems/ Blade_[BladeNum]_Node_ [NodeNum]/SecureBoot/ SecureBootDatabases/db/ Certificates/[num] | 1.02.xx | | | | | |
| /redfish/v1/Systems/ Blade_[BladeNum]_Node_ [NodeNum]/SecureBoot/ SecureBootDatabases/dbr/ Certificates/[num] | 1.02.xx | | | | | |
| /redfish/v1/Systems/ Blade_[BladeNum]_Node_ [NodeNum]/SecureBoot/ SecureBootDatabases/dbx/ Certificates/[num] | 1.02.xx | | | | | |
| /redfish/v1/Systems/ Blade_[BladeNum]_Node_ [NodeNum]/SecureBoot/ SecureBootDatabases/dbt/ Certificates/[num] | 1.02.xx | | | | | |

| | | | | | | |
|---|---------|--|--|--|--|--|
| /redfish/v1/Systems/Blade_[BladeNum]_Node_[NodeNum]/SecureBoot/SecureBootDatabases/dbx/Signatures/[num] | 1.02.xx | | | | | |
| /redfish/v1/Systems/Blade_[BladeNum]_Node_[NodeNum]/SecureBoot/Actions/SecureBoot.ResetKeys | 1.02.xx | | | | | |
| /redfish/v1/Systems/Blade_[BladeNum]_Node_[NodeNum]/SecureBoot/ResetKeysActionInfo | 1.02.xx | | | | | |
| /redfish/v1/Systems/Blade_[BladeNum]_Node_[NodeNum]/BootOptions | 1.02.xx | | | | | |
| /redfish/v1/Systems/Blade_[BladeNum]_Node_[NodeNum]/BootOptions/num | 1.02.xx | | | | | |
| /redfish/v1/Systems/Blade_[BladeNum]_Node_[NodeNum]/Oem/Supermicro/FixedBootOrder | 1.02.xx | | | | | |
| /redfish/v1/Systems/Blade_[BladeNum]_Node_[NodeNum]/NetworkInterfaces | 1.02.xx | | | | | |
| /redfish/v1/Systems/Blade_[BladeNum]_Node_[NodeNum]/NetworkInterfaces/[ni_num] | 1.02.xx | | | | | |
| /redfish/v1/Systems/Blade_[BladeNum]_Node_[NodeNum]/NetworkInterfaces/[ni_num]/Port | 1.02.xx | | | | | |
| /redfish/v1/Systems/Blade_[BladeNum]_Node_[NodeNum]/NetworkInterfaces/[ni_num]/NetworkDevice-Functions | 1.02.xx | | | | | |
| /redfish/v1/Systems/Blade_[BladeNum]_Node_[NodeNum]/Certificates/ | 1.02.xx | | | | | |
| /redfish/v1/Systems/Blade_[BladeNum]_Node_[NodeNum]/Certificates/[num] | 1.02.xx | | | | | |
| /redfish/v1/Systems/Blade_[BladeNum]_Node_[NodeNum]/Boot/Certificates | 1.02.xx | | | | | |
| /redfish/v1/Systems/Blade_[BladeNum]_Node_[NodeNum]/Boot/Certificates/[num] | 1.02.xx | | | | | |
| /redfish/v1/Systems/Blade_[BladeNum]_Node_[NodeNum]/Oem/Supermicro/NodeManager | 1.02.xx | | | | | |

| | | | | | | |
|---|---------|--|--|--|--|--|
| /redfish/v1/Systems/Blade_ [BladeNum]_Node_[Node- Num]/Oem/Supermicro/ NodeManager/Actions/ SmcNodeManager.ClearAll- Policies | 1.02.xx | | | | | |
| /redfish/v1/Systems/Blade_ [BladeNum]_Node_[Node- Num]/Oem/Supermicro/ NodeManager/Actions/Smc- NodeManager.SetActiveNo- deManager | 1.02.xx | | | | | |
| /redfish/v1/Chassis/Blade_ [BladeNum]_Node_[Node- Num]/NetworkAdapters/[Net- workAdapterId]/Certificates/ [CertificateId] | 1.02.xx | | | | | |
| /redfish/v1/Systems/Blade_ [BladeNum]_Node_[Node- Num]/Storage/[StorageId]/ Controllers/[StorageCon- trollerId]/Certificates/[Cer- tificateId] | 1.02.xx | | | | | |
| /redfish/v1/Managers/ Blade_[BladeNum]_Node_ [NodeNum]/SecurityPolicy/ SPDM/TrustedCertificates/ [CertificateId] | 1.02.xx | | | | | |
| /redfish/v1/Managers/ Blade_[BladeNum]_Node_ [NodeNum]/SecurityPolicy/ SPDM/RevokedCertificates/ [CertificateId] | 1.02.xx | | | | | |
| /redfish/v1/Managers/Blade_ [BladeNum]_Node_[Node- Num]/SecurityPolicy | 1.02.xx | | | | | |
| /redfish/v1/Managers/Blade_ [BladeNum]_Node_[Node- Num]/SecurityPolicy/SPDM/ TrustedCertificates | 1.02.xx | | | | | |
| /redfish/v1/Managers/Blade_ [BladeNum]_Node_[Node- Num]/SecurityPolicy/SPDM/ RevokedCertificates | 1.02.xx | | | | | |
| /redfish/v1/Managers/Blade_ [BladeNum]_Node_[Node- Num]/Oem/Supermicro/ NodeManager | 1.02.xx | | | | | |
| /redfish/v1/Managers/Blade_ [BladeNum]_Node_[Node- Num]/Oem/Supermicro/ NodeManager/Actions/ NodeManager.Reset | 1.02.xx | | | | | |
| /redfish/v1/Managers/Blade_ [BladeNum]_Node_[Node- Num]/Oem/Supermicro/ NodeManager/Domains | 1.02.xx | | | | | |

| | | | | | | |
|---|---------|--|--|--|--|--|
| /redfish/v1/Managers/Blade_ [BladeNum]_Node_[Node- Num]/Oem/Supermicro/ NodeManager/Domains/ [DomainName] | 1.02.xx | | | | | |
| /redfish/v1/Managers/Blade_ [BladeNum]_Node_[Node- Num]/Oem/Supermicro/ NodeManager/Domains/[Do- mainName]/Actions/Domain. ResetStatistics | 1.02.xx | | | | | |
| /redfish/v1/Managers/Blade_ [BladeNum]_Node_[Node- Num]/Oem/Supermicro/ NodeManager/Policies | 1.02.xx | | | | | |
| /redfish/v1/Managers/Blade_ [BladeNum]_Node_[Node- Num]/Oem/Supermicro/ NodeManager/Policies/ [PolicyID] | 1.02.xx | | | | | |
| /redfish/v1/Managers/Blade_ [BladeNum]_Node_[Node- Num]/Oem/Supermicro/ NodeManager/Policies/ [PolicyID]/Actions/Policy. ResetStatistics | 1.02.xx | | | | | |
| /redfish/v1/Managers/Blade_ [BladeNum]_Node_[Node- Num]/Oem/Supermicro/ NodeManager/Triggers | 1.02.xx | | | | | |
| /redfish/v1/Managers/Blade_ [BladeNum]_Node_[Node- Num]/Oem/Supermicro/ NodeManager/Triggers/ [TriggerId] | 1.02.xx | | | | | |
| /redfish/v1/Managers/Blade_ [BladeNum]_Node_[Node- Num]/Oem/Supermicro/ NodeManager/Throttling- Status | 1.02.xx | | | | | |
| /redfish/v1/Oem/Supermicro/ Blade/x/Node/y/Actions/ ComputerSystem.Reset | 1.02.xx | | | | | This can support Blade A/C trigger from the CMM6 |

The following Redfish URI APIs are unique and apply to CMM-6 BMC Firmware versions **01.02.XX and above**. This table lists the HTTP Methods and Privilege details.

| Redfish URI | HTTP Methods and Privilege | | | | |
|--|----------------------------|------------------|------------------|------------|------------|
| | GET | PATCH | POST | PUT | DELETE |
| /redfish/v1/Chassis/1/CMMNeighbor | Login | ConfigureManager | No Support | No Support | No Support |
| /redfish/v1/Managers/1/Oem/Supermicro/BladeNetwork | Login | ConfigureManager | No Support | No Support | No Support |
| /redfish/v1/Oem/Supermicro/Switch | Login | No Support | No Support | No Support | No Support |
| /redfish/v1/Oem/Supermicro/Switch/[SwitchNum] | Login | ConfigureManager | No Support | No Support | No Support |
| /redfish/v1/Oem/Supermicro/Switch/[SwitchNum]/Actions/SwitchStatus.Service | No Support | No Support | ConfigureManager | No Support | No Support |
| /redfish/v1/UpdateService/FirmwareInventory/BPN_BBP | Login | No Support | No Support | No Support | No Support |
| /redfish/v1/UpdateService/FirmwareInventory/DUMMY_SWITCH | Login | No Support | No Support | No Support | No Support |



Note: To ensure compatibility with the new features support, make sure to use SAA 1.3.0 Linux and Windows with CMM FW 1.02.XX and above.

| Redfish URI | HTTP Methods and Privilege | | | | |
|---|----------------------------|------------|------------|------------|------------|
| | GET | PATCH | POST | PUT | DELETE |
| /redfish/v1/UpdateService/FirmwareInventory/SlaveCMM | Login | No Support | No Support | No Support | No Support |
| /redfish/v1/Chassis/Blade_[BladeNum]_Node_[NodeNum] | Login | No Support | No Support | No Support | No Support |
| /redfish/v1/Chassis/Blade_[BladeNum]_Node_[NodeNum]/PowerSubsystem/PowerSupplies/[PowerSupplyId]/Assembly | Login | No Support | No Support | No Support | No Support |
| /redfish/v1/Chassis/Blade_[BladeNum]_Node_[NodeNum]/PowerSubsystem/PowerSupplies/[PowerSupplyId] | Login | No Support | No Support | No Support | No Support |
| /redfish/v1/Chassis/Blade_[BladeNum]_Node_[NodeNum]/EnvironmentMetrics | Login | No Support | No Support | No Support | No Support |
| /redfish/v1/Chassis/Blade_[BladeNum]_Node_[NodeNum]/Thermal | Login | No Support | No Support | No Support | No Support |

| | | | | | |
|--|-------|------------|------------|------------|------------|
| /redfish/v1/Chassis/Blade_[BladeNum]_Node_[NodeNum]/ThermalSubsystem | Login | No Support | No Support | No Support | No Support |
| /redfish/v1/Chassis/Blade_[BladeNum]_Node_[NodeNum]/ThermalSubsystem/ThermalMetrics | Login | No Support | No Support | No Support | No Support |
| /redfish/v1/Chassis/Blade_[BladeNum]_Node_[NodeNum]/Power | Login | No Support | No Support | No Support | No Support |
| /redfish/v1/Chassis/Blade_[BladeNum]_Node_[NodeNum]/PowerSubsystem | Login | No Support | No Support | No Support | No Support |
| /redfish/v1/Chassis/Blade_[BladeNum]_Node_[NodeNum]/PowerSubsystem/PowerSupplies | Login | No Support | No Support | No Support | No Support |
| /redfish/v1/Chassis/Blade_[BladeNum]_Node_[NodeNum]/PowerSubsystem/PowerSupplies/[PowerSupplyId]/Metrics | Login | No Support | No Support | No Support | No Support |
| /redfish/v1/Chassis/Blade_[BladeNum]_Node_[NodeNum]/Sensors | Login | No Support | No Support | No Support | No Support |
| /redfish/v1/Chassis/Blade_[BladeNum]_Node_[NodeNum]/Sensors/[SensorName] | Login | No Support | No Support | No Support | No Support |
| /redfish/v1/Chassis/Blade_[BladeNum]_Node_[NodeNum]/NetworkAdapters | Login | No Support | No Support | No Support | No Support |
| /redfish/v1/Chassis/Blade_[BladeNum]_Node_[NodeNum]/NetworkAdapters/[adapter_num] | Login | No Support | No Support | No Support | No Support |
| /redfish/v1/Chassis/Blade_[BladeNum]_Node_[NodeNum]/NetworkAdapters/[adapter_num]/Ports | Login | No Support | No Support | No Support | No Support |
| /redfish/v1/Chassis/Blade_[BladeNum]_Node_[NodeNum]/NetworkAdapters/[adapter_num]/Ports/[np_num] | Login | No Support | No Support | No Support | No Support |
| /redfish/v1/Chassis/Blade_[BladeNum]_Node_[NodeNum]/NetworkAdapters/[adapter_num]/NetworkDeviceFunctions | Login | No Support | No Support | No Support | No Support |
| /redfish/v1/Chassis/Blade_[BladeNum]_Node_[NodeNum]/NetworkAdapters/[adapter_num]/NetworkDeviceFunctions/[ndf_num] | Login | No Support | No Support | No Support | No Support |
| /redfish/v1/Chassis/Blade_[BladeNum]_Node_[NodeNum]/PCleSlots | Login | No Support | No Support | No Support | No Support |
| /redfish/v1/Chassis/Blade_[BladeNum]_Node_[NodeNum]/PCleDevices | Login | No Support | No Support | No Support | No Support |

| | | | | | |
|--|------------|------------|------------------|------------|------------|
| /redfish/v1/Chassis/Blade_[BladeNum]_Node_[NodeNum]/PCleDevices/NIC[aoc_card_num] | Login | No Support | No Support | No Support | No Support |
| /redfish/v1/Chassis/Blade_[BladeNum]_Node_[NodeNum]/PCleDevices/NIC[aoc_card_num]/PCleFunctions | Login | No Support | No Support | No Support | No Support |
| /redfish/v1/Chassis/Blade_[BladeNum]_Node_[NodeNum]/PCleDevices/NIC[aoc_card_num]/PCleFunctions/[port_num] | Login | No Support | No Support | No Support | No Support |
| /redfish/v1/Chassis/Blade_[BladeNum]_Node_[NodeNum]/PCleDevices/GPU[gpu_card_num] | Login | No Support | No Support | No Support | No Support |
| /redfish/v1/Chassis/Blade_[BladeNum]_Node_[NodeNum]/PCleDevices/GPU[gpu_card_num]/PCleFunctions | Login | No Support | No Support | No Support | No Support |
| /redfish/v1/Chassis/Blade_[BladeNum]_Node_[NodeNum]/PCleDevices/GPU[gpu_card_num]/PCleFunctions/[gpu_instance_num] | Login | No Support | No Support | No Support | No Support |
| /redfish/v1/Chassis/Blade_[BladeNum]_Node_[NodeNum]/PCleDevices/NVMeSSD[nvme_ssd_num] | Login | No Support | No Support | No Support | No Support |
| /redfish/v1/Chassis/Blade_[BladeNum]_Node_[NodeNum]/PCleDevices/NVMeSSD[nvme_ssd_num]/PCleFunctions | Login | No Support | No Support | No Support | No Support |
| /redfish/v1/Chassis/Blade_[BladeNum]_Node_[NodeNum]/PCleDevices/NVMeSSD[nvme_ssd_num]/PCleFunctions/[nvme_ssd_instance_num] | Login | No Support | No Support | No Support | No Support |
| /redfish/v1/Chassis/Blade_[BladeNum]_Node_[NodeNum]/HA-RAID.[controller_num].StorageEnclosure.[enclosure_num] | Login | No Support | No Support | No Support | No Support |
| /redfish/v1/Chassis/Blade_[BladeNum]_Node_[NodeNum]/HA-RAID.[controller_num].StorageEnclosure.[enclosure_num]/Drives/Disk.Bay.[disk_num] | Login | No Support | No Support | No Support | No Support |
| /redfish/v1/Chassis/Blade_[BladeNum]_Node_[NodeNum]/HA-RAID.[controller_num].StorageEnclosure.[enclosure_num]/Drives/Disk.Bay.[disk_num]/Actions/Oem/SmcDrive.Indicate | No Support | No Support | ConfigureManager | No Support | No Support |

| | | | | | |
|--|------------|------------------|------------------|------------------|------------------|
| /redfish/v1/Chassis/Blade_[BladeNum]_Node_[NodeNum]/HA-RAID.[controller_num].StorageEnclosure.[enclosure_num]/Drives/Disk.Bay.[disk_num]/Actions/Drive.SecureErase | No Support | No Support | ConfigureManager | No Support | No Support |
| /redfish/v1/Chassis/Blade_[BladeNum]_Node_[NodeNum]/HA-RAID.[controller_num].StorageEnclosure.[enclosure_num]/Drives/Disk.Bay.[disk_num]/Actions/Oem/SmcDrive.SecureEraseAbort | No Support | No Support | ConfigureManager | No Support | No Support |
| /redfish/v1/Chassis/Blade_[BladeNum]_Node_[NodeNum]/HA-RAID.[controller_num].StorageEnclosure.[enclosure_num]/Drives/Disk.Bay.[disk_num]/Actions/Oem/SmcDrive.AssignSpare | Login | ConfigureManager | ConfigureManager | ConfigureManager | ConfigureManager |
| /redfish/v1/Chassis/Blade_[BladeNum]_Node_[NodeNum]/HA-RAID.[controller_num].StorageEnclosure.[enclosure_num]/Drives/Disk.Bay.[disk_num]/Actions/Oem/SmcDrive.DeleteSpare | Login | ConfigureManager | ConfigureManager | ConfigureManager | ConfigureManager |
| /redfish/v1/Chassis/Blade_[BladeNum]_Node_[NodeNum]/HA-RAID.[controller_num].StorageEnclosure.[enclosure_num]/Drives/Disk.Bay.[disk_num]/Oem/Supermicro/IndicateActionInfo | Login | No Support | No Support | No Support | No Support |
| /redfish/v1/Chassis/Blade_[BladeNum]_Node_[NodeNum]/HA-RAID.[controller_num].StorageEnclosure.[enclosure_num]/Drives/Disk.Bay.[disk_num]/Oem/Supermicro/AssignSpareActionInfo | Login | No Support | No Support | No Support | No Support |
| /redfish/v1/Chassis/Blade_[BladeNum]_Node_[NodeNum]/HBA.[controller_num].StorageEnclosure.[enclosure_num] | Login | No Support | No Support | No Support | No Support |
| /redfish/v1/Chassis/Blade_[BladeNum]_Node_[NodeNum]/HBA.[controller_num].StorageEnclosure.[enclosure_num]/Drives/Disk.Bay.[disk_num] | Login | No Support | No Support | No Support | No Support |
| /redfish/v1/Chassis/Blade_[BladeNum]_Node_[NodeNum]/HBA.[controller_num].StorageEnclosure.[enclosure_num]/Drives/Disk.Bay.[disk_num]/Actions/Oem/SmcDrive.Indicate | No Support | No Support | ConfigureManager | No Support | No Support |

| | | | | | |
|---|------------|------------------|--|------------|------------|
| /redfish/v1/Chassis/Blade_[BladeNum]_Node_[NodeNum]/HBA.[controller_num].StorageEnclosure.[enclosure_num]/Drives/Disk.Bay.[disk_num]/IndicateActionInfo | Login | No Support | No Support | No Support | No Support |
| /redfish/v1/Chassis/Blade_[BladeNum]_Node_[NodeNum]/HBA.[controller_num].StorageEnclosure.[enclosure_num]/Drives/Disk.Bay.[disk_num]/Oem/Supermicro/IndicateActionInfo | Login | No Support | No Support | No Support | No Support |
| /redfish/v1/Chassis/Blade_[BladeNum]_Node_[NodeNum]/HA-RAID.[controller_num].StorageEnclosure.[enclosure_num]/Drives/Disk.Bay.[disk_num]/Actions/Oem/SupermicroDrive.DeleteJBOD | No Support | No Support | From ConfigureManager to ConfigureComponents since X14/H14 | No Support | No Support |
| /redfish/v1/Chassis/Blade_[BladeNum]_Node_[NodeNum]/HA-RAID.[controller_num].StorageEnclosure.[enclosure_num]/Drives/Disk.Bay.[disk_num]/Actions/Oem/SupermicroDrive.AssignJBOD | No Support | No Support | From ConfigureManager to ConfigureComponents since X14/H14 | No Support | No Support |
| /redfish/v1/Chassis/Blade_[BladeNum]_Node_[NodeNum]/StorageBackplane | Login | No Support | No Support | No Support | No Support |
| /redfish/v1/Chassis/Blade_[BladeNum]_Node_[NodeNum]/StorageBackplane/Drives/Disk.Bay.[disk_num] | Login | No Support | No Support | No Support | No Support |
| /redfish/v1/Chassis/Blade_[BladeNum]_Node_[NodeNum]/NVMeSSD.[pcie_controller_num].Group.[group_num].StorageBackplane | Login | No Support | No Support | No Support | No Support |
| /redfish/v1/Chassis/Blade_[BladeNum]_Node_[NodeNum]/NVMeSSD.[pcie_controller_num].Group.[group_num].StorageBackplane/Drives/Disk.Bay.[disk_num] | Login | ConfigureManager | No Support | No Support | No Support |
| /redfish/v1/Chassis/Blade_[BladeNum]_Node_[NodeNum]/NVMeSSD.[pcie_controller_num].Group.[group_num].StorageBackplane/Drives/Disk.Bay.[disk_num]/Actions/Oem/SmcDrive.Indicate | No Support | No Support | ConfigureManager | No Support | No Support |

| | | | | | |
|---|------------|------------------|------------------|------------|------------|
| /redfish/v1/Chassis/Blade_[BladeNum]_Node_[NodeNum]/NVMeSSD.[pcie_controller_num].Group.[group_num].StorageBackplane/Drives/Disk.Bay.[disk_num]/Actions/Oem/OemDrive.Insert | No Support | No Support | ConfigureManager | No Support | No Support |
| /redfish/v1/Chassis/Blade_[BladeNum]_Node_[NodeNum]/NVMeSSD.[pcie_controller_num].Group.[group_num].StorageBackplane/Drives/Disk.Bay.[disk_num]/Actions/Oem/OemDrive.Eject | No Support | No Support | ConfigureManager | No Support | No Support |
| /redfish/v1/Chassis/Blade_[BladeNum]_Node_[NodeNum]/NVMeSSD.[pcie_controller_num].Group.[group_num].StorageBackplane/Drives/Disk.Bay.[disk_num]/Oem/Supermicro/IndicateActionInfo | Login | No Support | No Support | No Support | No Support |
| /redfish/v1/Chassis/Blade_[BladeNum]_Node_[NodeNum]/MRVL.HA-RAID.[controller_num].StorageModule | Login | No Support | No Support | No Support | No Support |
| /redfish/v1/Chassis/Blade_[BladeNum]_Node_[NodeNum]/MRVL.HA-RAID.[controller_num].StorageModule/Drives/Disk.Bay.[disk_num] | Login | No Support | No Support | No Support | No Support |
| /redfish/v1/Managers/Blade_[BladeNum]_Node_[NodeNum] | Login | No Support | No Support | No Support | No Support |
| /redfish/v1/Managers/Blade_[BladeNum]_Node_[NodeNum]/DedicatedNetworkPorts | Login | No Support | No Support | No Support | No Support |
| /redfish/v1/Managers/Blade_[BladeNum]_Node_[NodeNum]/DedicatedNetworkPorts/[num] | Login | ConfigureManager | No Support | No Support | No Support |
| /redfish/v1/Managers/Blade_[BladeNum]_Node_[NodeNum]/PrivilegeRegistry | Login | No Support | No Support | No Support | No Support |
| /redfish/v1/Managers/Blade_[BladeNum]_Node_[NodeNum]/Actions/Manager.Reset | No Support | No Support | ConfigureManager | No Support | No Support |
| /redfish/v1/Managers/Blade_[BladeNum]_Node_[NodeNum]/Actions/Oem/SmcManagerConfig.Reset | No Support | No Support | ConfigureManager | No Support | No Support |
| /redfish/v1/Managers/Blade_[BladeNum]_Node_[NodeNum]/Oem/Supermicro/ResetActionInfo | Login | No Support | No Support | No Support | No Support |

| | | | | | |
|--|------------|---------------------|---------------------|------------|------------|
| /redfish/v1/Managers/Blade_[BladeNum]_Node_[NodeNum]/SerialInterfaces | Login | No Support | No Support | No Support | No Support |
| /redfish/v1/Managers/Blade_[BladeNum]_Node_[NodeNum]/SerialInterfaces/[service_num] | Login | ConfigureManager | No Support | No Support | No Support |
| /redfish/v1/Managers/Blade_[BladeNum]_Node_[NodeNum]/LogServices | Login | No Support | No Support | No Support | No Support |
| /redfish/v1/Managers/Blade_[BladeNum]_Node_[NodeNum]/LogServices/Log1 | Login | ConfigureComponents | No Support | No Support | No Support |
| /redfish/v1/Managers/Blade_[BladeNum]_Node_[NodeNum]/LogServices/Log1/Actions/LogService.ClearLog | No Support | No Support | ConfigureManager | No Support | No Support |
| /redfish/v1/Managers/Blade_[BladeNum]_Node_[NodeNum]/LogServices/Log1/Entries | Login | No Support | No Support | No Support | No Support |
| /redfish/v1/Managers/Blade_[BladeNum]_Node_[NodeNum]/LogServices/Log1/Entries/[log_num] | Login | No Support | No Support | No Support | No Support |
| /redfish/v1/Managers/Blade_[BladeNum]_Node_[NodeNum]/VirtualMedia | Login | No Support | No Support | No Support | No Support |
| /redfish/v1/Managers/Blade_[BladeNum]_Node_[NodeNum]/VirtualMedia/CD[mounted_dev_num] | Login | ConfigureComponents | No Support | No Support | No Support |
| /redfish/v1/Managers/Blade_[BladeNum]_Node_[NodeNum]/VirtualMedia/CD[mounted_dev_num]/Actions/VirtualMedia.InsertMedia | No Support | No Support | ConfigureComponents | No Support | No Support |
| /redfish/v1/Managers/Blade_[BladeNum]_Node_[NodeNum]/VirtualMedia/CD[mounted_dev_num]/InsertMediaActionInfo | Login | No Support | No Support | No Support | No Support |
| /redfish/v1/Managers/Blade_[BladeNum]_Node_[NodeNum]/VirtualMedia/CD[mounted_dev_num]/Actions/VirtualMedia.EjectMedia | No Support | No Support | ConfigureComponents | No Support | No Support |
| /redfish/v1/Managers/Blade_[BladeNum]_Node_[NodeNum]/VirtualMedia/Floppy[mounted_dev_num] | Login | No Support | No Support | No Support | No Support |
| /redfish/v1/Managers/Blade_[BladeNum]_Node_[NodeNum]/VirtualMedia/VirtualMedia[mounted_dev_num] | Login | ConfigureComponents | No Support | No Support | No Support |

| | | | | | |
|--|---------------------|------------------|---------------------|------------|------------|
| /redfish/v1/Managers/Blade_[BladeNum]_Node_[NodeNum]/VirtualMedia/VirtualMedia[mounted_dev_num]/Actions/VirtualMedia.InsertMedia | No Support | No Support | ConfigureComponents | No Support | No Support |
| /redfish/v1/Managers/Blade_[BladeNum]_Node_[NodeNum]/VirtualMedia/VirtualMedia[mounted_dev_num]/InsertMediaActionInfo | Login | No Support | No Support | No Support | No Support |
| /redfish/v1/Managers/Blade_[BladeNum]_Node_[NodeNum]/VirtualMedia/VirtualMedia[mounted_dev_num]/Actions/VirtualMedia.EjectMedia | No Support | No Support | ConfigureComponents | No Support | No Support |
| /redfish/v1/Managers/Blade_[BladeNum]_Node_[NodeNum]/EthernetInterfaces | Login | No Support | No Support | No Support | No Support |
| /redfish/v1/Managers/Blade_[BladeNum]_Node_[NodeNum]/EthernetInterfaces/[eth_num] | Login | ConfigureManager | No Support | No Support | No Support |
| /redfish/v1/Managers/Blade_[BladeNum]_Node_[NodeNum]/EthernetInterfaces/ToHost | Login | ConfigureManager | No Support | No Support | No Support |
| /redfish/v1/Managers/Blade_[BladeNum]_Node_[NodeNum]/HostInterfaces | Login | No Support | No Support | No Support | No Support |
| /redfish/v1/Managers/Blade_[BladeNum]_Node_[NodeNum]/HostInterfaces/1 | Login | ConfigureManager | No Support | No Support | No Support |
| /redfish/v1/Managers/Blade_[BladeNum]_Node_[NodeNum]/HostInterfaces/1/HostEthernetInterfaces | Login | No Support | No Support | No Support | No Support |
| /redfish/v1/Managers/Blade_[BladeNum]_Node_[NodeNum]/NetworkProtocol | Login | ConfigureManager | No Support | No Support | No Support |
| /redfish/v1/Managers/Blade_[BladeNum]_Node_[NodeNum]/NetworkProtocol/HTTPS/Certificates | ConfigureComponents | No Support | No Support | No Support | No Support |
| /redfish/v1/Managers/Blade_[BladeNum]_Node_[NodeNum]/NetworkProtocol/HTTPS/Certificates/1 | ConfigureComponents | No Support | No Support | No Support | No Support |
| /redfish/v1/Managers/Blade_[BladeNum]_Node_[NodeNum]/NetworkProtocol/HTTPS/Certificates/1/Actions/Certificate.Rekey | No Support | No Support | ConfigureManager | No Support | No Support |
| /redfish/v1/Managers/Blade_[BladeNum]_Node_[NodeNum]/NetworkProtocol/HTTPS/Certificates/1/Rekey-ActionInfo | ConfigureComponents | No Support | No Support | No Support | No Support |

| | | | | | |
|---|------------|---------------------|---------------------|------------|------------------|
| /redfish/v1/Managers/Blade_[BladeNum]_Node_[NodeNum]/NetworkProtocol/HTTPS/Certificates/1/Actions/Certificate.Renew | No Support | No Support | ConfigureManager | No Support | No Support |
| /redfish/v1/Managers/Blade_[BladeNum]_Node_[NodeNum]/Oem/Supermicro/MemoryPFA | Login | ConfigureComponents | No Support | No Support | No Support |
| /redfish/v1/Managers/Blade_[BladeNum]_Node_[NodeNum]/Oem/Supermicro/MemoryHealthComp | Login | ConfigureComponents | No Support | No Support | No Support |
| /redfish/v1/Managers/Blade_[BladeNum]_Node_[NodeNum]/Oem/Supermicro/MouseMode | Login | ConfigureComponents | No Support | No Support | No Support |
| /redfish/v1/Managers/Blade_[BladeNum]_Node_[NodeNum]/Oem/Supermicro/Snooping | Login | No Support | No Support | No Support | No Support |
| /redfish/v1/Managers/Blade_[BladeNum]_Node_[NodeNum]/Oem/Supermicro/Syslog | Login | ConfigureManager | No Support | No Support | No Support |
| /redfish/v1/Managers/Blade_[BladeNum]_Node_[NodeNum]/Oem/Supermicro/RADIUS | Login | ConfigureManager | No Support | No Support | No Support |
| /redfish/v1/Managers/Blade_[BladeNum]_Node_[NodeNum]/Oem/Supermicro/SMCRAKP | Login | ConfigureManager | No Support | No Support | No Support |
| /redfish/v1/Managers/Blade_[BladeNum]_Node_[NodeNum]/Oem/Supermicro/IPAccessControl | Login | ConfigureComponents | No Support | No Support | No Support |
| /redfish/v1/Managers/Blade_[BladeNum]_Node_[NodeNum]/Oem/Supermicro/IPAccessControl/FilterRules | Login | No Support | ConfigureComponents | No Support | No Support |
| /redfish/v1/Managers/Blade_[BladeNum]_Node_[NodeNum]/Oem/Supermicro/IPAccessControl/FilterRules/[rule_num] | Login | ConfigureManager | No Support | No Support | ConfigureManager |
| /redfish/v1/Managers/Blade_[BladeNum]_Node_[NodeNum]/Oem/Supermicro/NTP | Login | ConfigureManager | No Support | No Support | No Support |
| /redfish/v1/Managers/Blade_[BladeNum]_Node_[NodeNum]/Oem/Supermicro/LLDP | Login | ConfigureManager | No Support | No Support | No Support |
| /redfish/v1/Managers/Blade_[BladeNum]_Node_[NodeNum]/Oem/Supermicro/SmartPower | Login | ConfigureManager | No Support | No Support | No Support |
| /redfish/v1/Managers/Blade_[BladeNum]_Node_[NodeNum]/Oem/Supermicro/IKVM | Login | ConfigureComponents | No Support | No Support | No Support |

| | | | | | |
|--|------------|------------------|---------------------|------------|------------|
| /redfish/v1/Managers/Blade_[BladeNum]_Node_[NodeNum]/Oem/Supermicro/KCSInterface | Login | ConfigureManager | No Support | No Support | No Support |
| /redfish/v1/Managers/Blade_[BladeNum]_Node_[NodeNum]/Oem/Supermicro/SysLockdown | Login | ConfigureManager | No Support | No Support | No Support |
| /redfish/v1/Managers/Blade_[BladeNum]_Node_[NodeNum]/LicenseManager | Login | No Support | No Support | No Support | No Support |
| /redfish/v1/Managers/Blade_[BladeNum]_Node_[NodeNum]/LicenseManager/Actions/LicenseManager.ActivateLicense | No Support | No Support | ConfigureManager | No Support | No Support |
| /redfish/v1/Managers/Blade_[BladeNum]_Node_[NodeNum]/LicenseManager/QueryLicense | Login | No Support | No Support | No Support | No Support |
| /redfish/v1/Managers/Blade_[BladeNum]_Node_[NodeNum]/LicenseManager/Actions/LicenseManager.ClearLicense | No Support | No Support | ConfigureManager | No Support | No Support |
| /redfish/v1/Systems/Blade_[BladeNum]_Node_[NodeNum]/Actions/ComputerSystem.Decommission | No Support | No Support | ConfigureManager | No Support | No Support |
| /redfish/v1/Systems/Blade_[BladeNum]_Node_[NodeNum]/Actions/ComputerSystem.Reset | No Support | No Support | ConfigureComponents | No Support | No Support |
| /redfish/v1/Managers/Blade_[BladeNum]_Node_[NodeNum]/Actions/Manager.ResetToDefaults | No Support | No Support | ConfigureManager | No Support | No Support |
| /redfish/v1/Systems/Blade_[BladeNum]_Node_[NodeNum] | Login | No Support | No Support | No Support | No Support |
| /redfish/v1/Systems/Blade_[BladeNum]_Node_[NodeNum]/ResetActionInfo | Login | No Support | No Support | No Support | No Support |
| /redfish/v1/Systems/Blade_[BladeNum]_Node_[NodeNum]/Processors | Login | No Support | No Support | No Support | No Support |
| /redfish/v1/Systems/Blade_[BladeNum]_Node_[NodeNum]/Processors/[processor_num] | Login | No Support | No Support | No Support | No Support |
| /redfish/v1/Systems/Blade_[BladeNum]_Node_[NodeNum]/Processors/[processor_num]/EnvironmentMetrics | Login | No Support | No Support | No Support | No Support |
| /redfish/v1/Systems/Blade_[BladeNum]_Node_[NodeNum]/Processors/[processor_num]/ProcessorMetrics | Login | No Support | No Support | No Support | No Support |

| | | | | | |
|--|---------------------|------------------|------------|------------|------------|
| /redfish/v1/Systems/Blade_[BladeNum]_Node_[NodeNum]/ProcessorSummary/ProcessorMetrics | Login | No Support | No Support | No Support | No Support |
| /redfish/v1/Systems/Blade_[BladeNum]_Node_[NodeNum]/Memory | Login | No Support | No Support | No Support | No Support |
| /redfish/v1/Systems/Blade_[BladeNum]_Node_[NodeNum]/Memory/[num] | Login | No Support | No Support | No Support | No Support |
| /redfish/v1/Systems/Blade_[BladeNum]_Node_[NodeNum]/Memory/[num]/EnvironmentMetrics | Login | No Support | No Support | No Support | No Support |
| /redfish/v1/Systems/Blade_[BladeNum]_Node_[NodeNum]/Memory/1/MemoryMetrics | Login | No Support | No Support | No Support | No Support |
| redfish/v1/Systems/1/MemorySummary/MemoryMetrics | Login | No Support | No Support | No Support | No Support |
| /redfish/v1/Systems/Blade_[BladeNum]_Node_[NodeNum]/EthernetInterfaces | Login | No Support | No Support | No Support | No Support |
| /redfish/v1/Systems/Blade_[BladeNum]_Node_[NodeNum]/EthernetInterfaces/[eth_num] | Login | No Support | No Support | No Support | No Support |
| /redfish/v1/Systems/Blade_[BladeNum]_Node_[NodeNum]/EthernetInterfaces/[eth_num]/VLANS | ConfigureComponents | No Support | No Support | No Support | No Support |
| /redfish/v1/Systems/Blade_[BladeNum]_Node_[NodeNum]/EthernetInterfaces/[eth_num]/VLANS/[vlan_instance] | ConfigureComponents | ConfigureManager | No Support | No Support | No Support |
| /redfish/v1/Systems/Blade_[BladeNum]_Node_[NodeNum]/EthernetInterfaces/ToManager | Login | ConfigureManager | No Support | No Support | No Support |
| /redfish/v1/Systems/Blade_[BladeNum]_Node_[NodeNum]/Storage | Login | No Support | No Support | No Support | No Support |
| /redfish/v1/Systems/Blade_[BladeNum]_Node_[NodeNum]/Storage/StorageController_[num] | Login | No Support | No Support | No Support | No Support |
| /redfish/v1/Systems/Blade_[BladeNum]_Node_[NodeNum]/Storage/HA-RAID | Login | No Support | No Support | No Support | No Support |
| /redfish/v1/Systems/Blade_[BladeNum]_Node_[NodeNum]/Storage/HA-RAID/Controllers | Login | No Support | No Support | No Support | No Support |
| /redfish/v1/Systems/Blade_[BladeNum]_Node_[NodeNum]/Storage/HA-RAID/Controllers/num | Login | No Support | No Support | No Support | No Support |

| | | | | | |
|---|------------|------------|------------------|------------|------------|
| /redfish/v1/Systems/Blade_[BladeNum]_Node_[NodeNum]/Storage/HA-RAID/Volumes | Login | No Support | No Support | No Support | No Support |
| /redfish/v1/Systems/Blade_[BladeNum]_Node_[NodeNum]/Storage/HA-RAID/Volumes/Controller.[controller_num].Volume.[volume_num] | Login | No Support | No Support | No Support | No Support |
| /redfish/v1/Systems/Blade_[BladeNum]_Node_[NodeNum]/Storage/HA-RAID/Volumes/Controller.[controller_num].Volume.[volume_num]/Actions/Oem/SmcVolume.Indicate | No Support | No Support | ConfigureManager | No Support | No Support |
| /redfish/v1/Systems/Blade_[BladeNum]_Node_[NodeNum]/Storage/HA-RAID/Volumes/Controller.[controller_num].Volume.[volume_num]/Oem/Supermicro/IndicateActionInfo | Login | No Support | No Support | No Support | No Support |
| /redfish/v1/Systems/Blade_[BladeNum]_Node_[NodeNum]/Storage/HA-RAID/Volumes/Controller.[controller_num].Volume.[volume_num]/Actions/Oem/SmcVolume.Delete | No Support | No Support | ConfigureManager | No Support | No Support |
| /redfish/v1/Systems/Blade_[BladeNum]_Node_[NodeNum]/Storage/HA-RAID/Actions/Oem/SmcStorage.CreateVolume | No Support | No Support | ConfigureManager | No Support | No Support |
| /redfish/v1/Systems/Blade_[BladeNum]_Node_[NodeNum]/Storage/HA-RAID/Oem/Supermicro/CreateVolumeActionInfo | Login | No Support | No Support | No Support | No Support |
| /redfish/v1/Systems/Blade_[BladeNum]_Node_[NodeNum]/Storage/HA-RAID/Actions/Oem/SmcStorage.ClearVolumes | No Support | No Support | ConfigureManager | No Support | No Support |
| /redfish/v1/Systems/Blade_[BladeNum]_Node_[NodeNum]/Storage/HA-RAID/Oem/Supermicro/ClearVolumesActionInfo | Login | No Support | No Support | No Support | No Support |
| /redfish/v1/Systems/Blade_[BladeNum]_Node_[NodeNum]/Storage/HA-RAID/Actions/Oem/SmcHARAID-Controller.Save | No Support | No Support | ConfigureManager | No Support | No Support |
| /redfish/v1/Systems/Blade_[BladeNum]_Node_[NodeNum]/Storage/HA-RAID/Oem/Supermicro/SaveActionInfo /redfish/v1/Systems/Blade_[BladeNum]_Node_[NodeNum]/Storage/HBA | Login | No Support | No Support | No Support | No Support |

| | | | | | |
|--|------------|------------|------------------|------------|------------|
| /redfish/v1/Systems/Blade_[BladeNum]_Node_[NodeNum]/Storage/HBA/Controllers | Login | No Support | No Support | No Support | No Support |
| /redfish/v1/Systems/Blade_[BladeNum]_Node_[NodeNum]/Storage/HBA/Controllers/num | Login | No Support | No Support | No Support | No Support |
| /redfish/v1/Systems/Blade_[BladeNum]_Node_[NodeNum]/Storage/HBA/Volumes | Login | No Support | No Support | No Support | No Support |
| /redfish/v1/Systems/Blade_[BladeNum]_Node_[NodeNum]/Storage/RAID-Integrated | Login | No Support | No Support | No Support | No Support |
| /redfish/v1/Systems/Blade_[BladeNum]_Node_[NodeNum]/Storage/RAID-Integrated/Volumes | Login | No Support | No Support | No Support | No Support |
| /redfish/v1/Systems/Blade_[BladeNum]_Node_[NodeNum]/Storage/RAID-Integrated/Volumes/[volume_num] | Login | No Support | No Support | No Support | No Support |
| /redfish/v1/Systems/Blade_[BladeNum]_Node_[NodeNum]/Storage/SATA-Embedded | Login | No Support | No Support | No Support | No Support |
| /redfish/v1/Systems/Blade_[BladeNum]_Node_[NodeNum]/Storage/SATA-Embedded/Volumes | Login | No Support | No Support | No Support | No Support |
| /redfish/v1/Systems/Blade_[BladeNum]_Node_[NodeNum]/Storage/SATA-Embedded/Volumes/[volume_num] | Login | No Support | No Support | No Support | No Support |
| /redfish/v1/Systems/Blade_[BladeNum]_Node_[NodeNum]/Storage/MRVL-HA-RAID | Login | No Support | No Support | No Support | No Support |
| /redfish/v1/Systems/Blade_[BladeNum]_Node_[NodeNum]/Storage/MRVL-HA-RAID/Volumes | Login | No Support | No Support | No Support | No Support |
| /redfish/v1/Systems/Blade_[BladeNum]_Node_[NodeNum]/Storage/MRVL-HA-RAID/Volumes/Controller.[controller_num].Volume.[volume_num] | Login | No Support | No Support | No Support | No Support |
| /redfish/v1/Systems/Blade_[BladeNum]_Node_[NodeNum]/Storage/MRVL-HA-RAID/Volumes/Controller.[controller_num].Volume.[volume_num]/Actions/Oem/SmcVolume.DeleteVD | No Support | No Support | ConfigureManager | No Support | No Support |
| /redfish/v1/Systems/Blade_[BladeNum]_Node_[NodeNum]/Storage/MRVL-HA-RAID/Volumes/Controller.[controller_num].Volume.[volume_num]/Actions/Oem/SmcVolume.RebuildVD | No Support | No Support | ConfigureManager | No Support | No Support |

| | | | | | |
|---|---------------------|---------------------|------------------|------------------|------------|
| /redfish/v1/Systems/Blade_[BladeNum]_Node_[NodeNum]/Storage/MRVL.HA-RAID/Volumes/Controller.[controller_num].Volume.[volume_num]/Actions/Oem/SmcVolume.ImportVD | No Support | No Support | ConfigureManager | No Support | No Support |
| /redfish/v1/Systems/Blade_[BladeNum]_Node_[NodeNum]/Storage/MRVL.HA-RAID/Actions/Oem/SmcStorage.CreateVD | No Support | No Support | ConfigureManager | No Support | No Support |
| /redfish/v1/Systems/Blade_[BladeNum]_Node_[NodeNum]/Storage/NVMeSSD | Login | No Support | No Support | No Support | No Support |
| /redfish/v1/Systems/Blade_[BladeNum]_Node_[NodeNum]/Bios | ConfigureComponents | ConfigureManager | No Support | ConfigureManager | No Support |
| /redfish/v1/Systems/Blade_[BladeNum]_Node_[NodeNum]/Bios/SD | ConfigureComponents | ConfigureManager | No Support | ConfigureManager | No Support |
| /redfish/v1/Systems/Blade_[BladeNum]_Node_[NodeNum]/Bios/Actions/Bios.ResetBios | No Support | No Support | ConfigureManager | No Support | No Support |
| /redfish/v1/Systems/Blade_[BladeNum]_Node_[NodeNum]/Bios/Actions/Bios.ChangePassword | No Support | No Support | ConfigureManager | No Support | No Support |
| /redfish/v1/Systems/Blade_[BladeNum]_Node_[NodeNum]/Bios/ChangePasswordActionInfo | ConfigureComponents | No Support | No Support | No Support | No Support |
| /redfish/v1/Systems/Blade_[BladeNum]_Node_[NodeNum]/LogServices | Login | No Support | No Support | No Support | No Support |
| /redfish/v1/Systems/Blade_[BladeNum]_Node_[NodeNum]/LogServices/Log1 | Login | ConfigureComponents | No Support | No Support | No Support |
| /redfish/v1/Systems/Blade_[BladeNum]_Node_[NodeNum]/LogServices/Log1/Actions/LogService.ClearLog | No Support | No Support | ConfigureManager | No Support | No Support |
| /redfish/v1/Systems/Blade_[BladeNum]_Node_[NodeNum]/LogServices/Log1/Actions/Oem/SmcLogService.ClearAcknowledgements | No Support | No Support | ConfigureManager | No Support | No Support |
| /redfish/v1/Systems/Blade_[BladeNum]_Node_[NodeNum]/LogServices/Log1/Actions/Oem/SmcLogService.ClearAcknowledgments | No Support | No Support | ConfigureManager | No Support | No Support |
| /redfish/v1/Systems/Blade_[BladeNum]_Node_[NodeNum]/LogServices/Log1/Entries | Login | No Support | No Support | No Support | No Support |
| /redfish/v1/Systems/Blade_[BladeNum]_Node_[NodeNum]/LogServices/Log1/Entries/[log_num] | Login | ConfigureManager | No Support | No Support | No Support |

| | | | | | |
|---|---------------------|------------------|------------------|------------|------------|
| /redfish/v1/Systems/Blade_[BladeNum]_Node_[NodeNum]/SecureBoot | ConfigureComponents | ConfigureManager | No Support | No Support | No Support |
| /redfish/v1/Systems/Blade_[BladeNum]_Node_[NodeNum]/SecureBoot/SecureBootDatabases | ConfigureComponents | No Support | No Support | No Support | No Support |
| /redfish/v1/Systems/Blade_[BladeNum]_Node_[NodeNum]/SecureBoot/SecureBootDatabases/dbt | ConfigureComponents | No Support | No Support | No Support | No Support |
| /redfish/v1/Systems/Blade_[BladeNum]_Node_[NodeNum]/SecureBoot/SecureBootDatabases/dbr | ConfigureComponents | No Support | No Support | No Support | No Support |
| /redfish/v1/Systems/Blade_[BladeNum]_Node_[NodeNum]/SecureBoot/SecureBootDatabases/dbx | ConfigureComponents | No Support | No Support | No Support | No Support |
| /redfish/v1/Systems/Blade_[BladeNum]_Node_[NodeNum]/SecureBoot/SecureBootDatabases/PK | ConfigureComponents | No Support | No Support | No Support | No Support |
| /redfish/v1/Systems/Blade_[BladeNum]_Node_[NodeNum]/SecureBoot/SecureBootDatabases/KEK | ConfigureComponents | No Support | No Support | No Support | No Support |
| /redfish/v1/Systems/Blade_[BladeNum]_Node_[NodeNum]/SecureBoot/SecureBootDatabases/db | ConfigureComponents | No Support | No Support | No Support | No Support |
| /redfish/v1/Systems/Blade_[BladeNum]_Node_[NodeNum]/SecureBoot/SecureBootDatabases/db/Certificates | ConfigureComponents | No Support | ConfigureManager | No Support | No Support |
| /redfish/v1/Systems/Blade_[BladeNum]_Node_[NodeNum]/SecureBoot/SecureBootDatabases/dbt/Certificates | ConfigureComponents | No Support | ConfigureManager | No Support | No Support |
| /redfish/v1/Systems/Blade_[BladeNum]_Node_[NodeNum]/SecureBoot/SecureBootDatabases/dbr/Certificates | ConfigureComponents | No Support | ConfigureManager | No Support | No Support |
| /redfish/v1/Systems/Blade_[BladeNum]_Node_[NodeNum]/SecureBoot/SecureBootDatabases/dbx/Certificates | ConfigureComponents | No Support | ConfigureManager | No Support | No Support |
| /redfish/v1/Systems/Blade_[BladeNum]_Node_[NodeNum]/SecureBoot/SecureBootDatabases/PK/Certificates | ConfigureComponents | No Support | ConfigureManager | No Support | No Support |
| /redfish/v1/Systems/Blade_[BladeNum]_Node_[NodeNum]/SecureBoot/SecureBootDatabases/KEK/Certificates | ConfigureComponents | No Support | ConfigureManager | No Support | No Support |

| | | | | | |
|---|---------------------|---|------------------|------------|------------|
| /redfish/v1/Systems/Blade_[BladeNum]_Node_[NodeNum]/SecureBoot/SecureBootDatabases/dbx/Signatures | ConfigureComponents | No Support | No Support | No Support | No Support |
| /redfish/v1/Systems/Blade_[BladeNum]_Node_[NodeNum]/SecureBoot/SecureBootDatabases/PK/Certificates/[num] | ConfigureComponents | No Support | No Support | No Support | No Support |
| /redfish/v1/Systems/Blade_[BladeNum]_Node_[NodeNum]/SecureBoot/SecureBootDatabases/KEK/Certificates/[num] | ConfigureComponents | No Support | No Support | No Support | No Support |
| /redfish/v1/Systems/Blade_[BladeNum]_Node_[NodeNum]/SecureBoot/SecureBootDatabases/db/Certificates/[num] | ConfigureComponents | No Support | No Support | No Support | No Support |
| /redfish/v1/Systems/Blade_[BladeNum]_Node_[NodeNum]/SecureBoot/SecureBootDatabases/dbr/Certificates/[num] | ConfigureComponents | No Support | No Support | No Support | No Support |
| /redfish/v1/Systems/Blade_[BladeNum]_Node_[NodeNum]/SecureBoot/SecureBootDatabases/dbx/Certificates/[num] | ConfigureComponents | No Support | No Support | No Support | No Support |
| /redfish/v1/Systems/Blade_[BladeNum]_Node_[NodeNum]/SecureBoot/SecureBootDatabases/dbt/Certificates/[num] | ConfigureComponents | No Support | No Support | No Support | No Support |
| /redfish/v1/Systems/Blade_[BladeNum]_Node_[NodeNum]/SecureBoot/SecureBootDatabases/dbx/Signatures/[num] | ConfigureComponents | No Support | No Support | No Support | No Support |
| /redfish/v1/Systems/Blade_[BladeNum]_Node_[NodeNum]/SecureBoot/Actions/SecureBoot.ResetKeys | No Support | No Support | ConfigureManager | No Support | No Support |
| /redfish/v1/Systems/Blade_[BladeNum]_Node_[NodeNum]/SecureBoot/ResetKeysActionInfo | ConfigureComponents | No Support | No Support | No Support | No Support |
| /redfish/v1/Systems/Blade_[BladeNum]_Node_[NodeNum]/BootOptions | Login | No Support | No Support | No Support | No Support |
| /redfish/v1/Systems/Blade_[BladeNum]_Node_[NodeNum]/BootOptions/num | Login | ConfigureComponents (Cannot patch since X13/H13) | No Support | No Support | No Support |
| /redfish/v1/Systems/Blade_[BladeNum]_Node_[NodeNum]/Oem/Supermicro/FixedBootOrder | Login | ConfigureComponents | No Support | No Support | No Support |
| /redfish/v1/Systems/Blade_[BladeNum]_Node_[NodeNum]/NetworkInterfaces | Login | No Support | No Support | No Support | No Support |

| | | | | | |
|--|---------------------|------------------|------------------|------------|------------------|
| /redfish/v1/Systems/Blade_[BladeNum]_Node_[NodeNum]/NetworkInterfaces/[ni_num] | Login | No Support | No Support | No Support | No Support |
| /redfish/v1/Systems/Blade_[BladeNum]_Node_[NodeNum]/NetworkInterfaces/[ni_num]/Port | Login | No Support | No Support | No Support | No Support |
| /redfish/v1/Systems/Blade_[BladeNum]_Node_[NodeNum]/NetworkInterfaces/[ni_num]/NetworkDevice-Functions | Login | No Support | No Support | No Support | No Support |
| /redfish/v1/Systems/Blade_[BladeNum]_Node_[NodeNum]/Certificates/ | ConfigureComponents | No Support | No Support | No Support | No Support |
| /redfish/v1/Systems/Blade_[BladeNum]_Node_[NodeNum]/Certificates/[num] | ConfigureComponents | No Support | No Support | No Support | No Support |
| /redfish/v1/Systems/Blade_[BladeNum]_Node_[NodeNum]/Boot/Certificates | ConfigureComponents | No Support | ConfigureManager | No Support | No Support |
| /redfish/v1/Systems/Blade_[BladeNum]_Node_[NodeNum]/Boot/Certificates/[num] | ConfigureComponents | No Support | No Support | No Support | ConfigureManager |
| /redfish/v1/Systems/Blade_[BladeNum]_Node_[NodeNum]/Oem/Supermicro/NodeManager | Login | ConfigureManager | No Support | No Support | No Support |
| /redfish/v1/Systems/Blade_[BladeNum]_Node_[NodeNum]/Oem/Supermicro/NodeManager/Actions/SmcNodeManager.ClearAllPolicies | No Support | No Support | ConfigureManager | No Support | No Support |
| /redfish/v1/Systems/Blade_[BladeNum]_Node_[NodeNum]/Oem/Supermicro/NodeManager/Actions/SmcNodeManager.SetActiveNodeManager | No Support | No Support | ConfigureManager | No Support | No Support |
| /redfish/v1/Chassis/Blade_[BladeNum]_Node_[NodeNum]/NetworkAdapters/[NetworkAdapterId]/Certificates/[CertificateId] | Login | No Support | No Support | No Support | No Support |
| /redfish/v1/Systems/Blade_[BladeNum]_Node_[NodeNum]/Storage/[StorageId]/Controllers/[StorageControllerId]/Certificates/[CertificateId] | Login | No Support | No Support | No Support | No Support |
| /redfish/v1/Managers/Blade_[BladeNum]_Node_[NodeNum]/SecurityPolicy/SPDM/TrustedCertificates/[CertificateId] | Login | No Support | No Support | No Support | No Support |
| /redfish/v1/Managers/Blade_[BladeNum]_Node_[NodeNum]/SecurityPolicy/SPDM/RevokedCertificates/[CertificateId] | Login | No Support | No Support | No Support | No Support |

| | | | | | |
|---|------------|------------------|------------------|------------|------------------|
| /redfish/v1/Managers/Blade_[BladeNum]_Node_[NodeNum]/SecurityPolicy | Login | ConfigureManager | No Support | No Support | No Support |
| /redfish/v1/Managers/Blade_[BladeNum]_Node_[NodeNum]/SecurityPolicy/SPDM/TrustedCertificates | Login | No Support | ConfigureManager | No Support | No Support |
| /redfish/v1/Managers/Blade_[BladeNum]_Node_[NodeNum]/SecurityPolicy/SPDM/RevokedCertificates | Login | No Support | ConfigureManager | No Support | No Support |
| /redfish/v1/Managers/Blade_[BladeNum]_Node_[NodeNum]/Oem/Supermicro/NodeManager | Login | ConfigureManager | No Support | No Support | No Support |
| /redfish/v1/Managers/Blade_[BladeNum]_Node_[NodeNum]/Oem/Supermicro/NodeManager/Actions/NodeManager.Reset | No Support | No Support | ConfigureManager | No Support | No Support |
| /redfish/v1/Managers/Blade_[BladeNum]_Node_[NodeNum]/Oem/Supermicro/NodeManager/Domains | Login | No Support | No Support | No Support | No Support |
| /redfish/v1/Managers/Blade_[BladeNum]_Node_[NodeNum]/Oem/Supermicro/NodeManager/Domains/[DomainName] | Login | ConfigureManager | No Support | No Support | No Support |
| /redfish/v1/Managers/Blade_[BladeNum]_Node_[NodeNum]/Oem/Supermicro/NodeManager/Domains/[DomainName]/Actions/Domain.ResetStatistics | No Support | No Support | ConfigureManager | No Support | No Support |
| /redfish/v1/Managers/Blade_[BladeNum]_Node_[NodeNum]/Oem/Supermicro/NodeManager/Policies | Login | No Support | ConfigureManager | No Support | No Support |
| /redfish/v1/Managers/Blade_[BladeNum]_Node_[NodeNum]/Oem/Supermicro/NodeManager/Policies/[PolicyID] | Login | ConfigureManager | No Support | No Support | ConfigureManager |
| /redfish/v1/Managers/Blade_[BladeNum]_Node_[NodeNum]/Oem/Supermicro/NodeManager/Policies/[PolicyID]/Actions/Policy.ResetStatistics | No Support | No Support | ConfigureManager | No Support | No Support |
| /redfish/v1/Managers/Blade_[BladeNum]_Node_[NodeNum]/Oem/Supermicro/NodeManager/Triggers | Login | No Support | No Support | No Support | No Support |
| /redfish/v1/Managers/Blade_[BladeNum]_Node_[NodeNum]/Oem/Supermicro/NodeManager/Triggers/[TriggerId] | Login | No Support | No Support | No Support | No Support |

| | | | | | |
|--|-------|------------|------------------|------------|------------|
| /redfish/v1/Managers/Blade_ [BladeNum]_Node_[Node- Num]/Oem/Supermicro/ NodeManager/Throttling- Status | Login | No Support | No Support | No Support | No Support |
| /redfish/v1/Oem/Supermicro/ Blade/x/Node/y/Actions/ ComputerSystem.Reset | | No Support | ConfigureManager | No Support | No Support |

(Disclaimer Continued)

The products sold by Supermicro are not intended for and will not be used in life support systems, medical equipment, nuclear facilities or systems, aircraft, aircraft devices, aircraft/emergency communication devices or other critical systems whose failure to perform be reasonably expected to result in significant injury or loss of life or catastrophic property damage. Accordingly, Supermicro disclaims any and all liability, and should buyer use or sell such products for use in such ultra-hazardous applications, it does so entirely at its own risk. Furthermore, buyer agrees to fully indemnify, defend and hold Supermicro harmless for and against any and all claims, demands, actions, litigation, and proceedings of any kind arising out of or related to such ultra-hazardous use or sale.