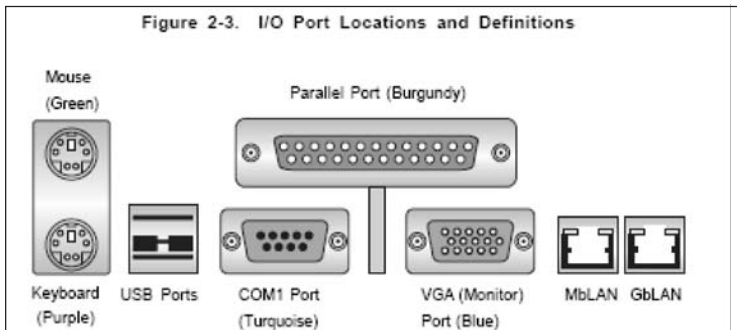


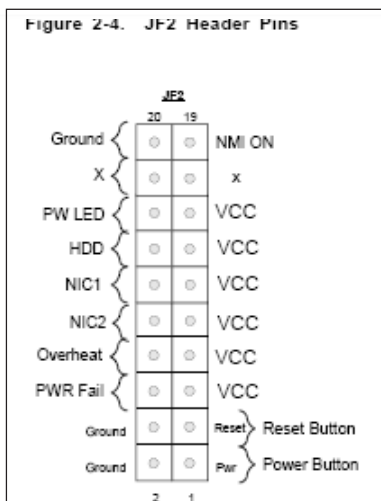
# Addendum for the X5DPL-8GM/X5DPL-iGM User's Manual (MNL#694)

The following items will be included in the next manual revision. Please note the change made for each item.

## 1. Page 2-6:



## 2. Page 2-7:



## 3. Page 2-13: To add:

### SMB

A System Management Bus header is located above the IPMI connector. Connect the appropriate cable here to utilize SMB on your system. (\*SMB signal is 3.3V.)

#### SMB Header Pin Definitions

Pin Number	Definition
1	Data
2	Ground
3	Clock
4	No Connection