



X14SBI-F
X14SBI-TF

USER'S MANUAL

Revision 1.1b (MNL-2712)

The information in this User's Manual has been carefully reviewed and is believed to be accurate. The vendor assumes no responsibility for any inaccuracies that may be contained in this document, and makes no commitment to update or to keep current the information in this manual, or to notify any person or organization of the updates. Note: For the most up-to-date version of this manual, see our website at <https://www.supermicro.com>.

Super Micro Computer, Inc. ("Supermicro") reserves the right to make changes to the product described in this manual at any time and without notice. This product, including software and documentation, is the property of Supermicro and/or its licensors, and is supplied only under a license. Any use or reproduction of this product is not allowed, except as expressly permitted by the terms of said license.

IN NO EVENT WILL Super Micro Computer, Inc. BE LIABLE FOR DIRECT, INDIRECT, SPECIAL, INCIDENTAL, SPECULATIVE OR CONSEQUENTIAL DAMAGES ARISING FROM THE USE OR INABILITY TO USE THIS PRODUCT OR DOCUMENTATION, EVEN IF ADVISED OF THE POSSIBILITY OF SUCH DAMAGES. IN PARTICULAR, SUPER MICRO COMPUTER, INC. SHALL NOT HAVE LIABILITY FOR ANY HARDWARE, SOFTWARE, OR DATA STORED OR USED WITH THE PRODUCT, INCLUDING THE COSTS OF REPAIRING, REPLACING, INTEGRATING, INSTALLING OR RECOVERING SUCH HARDWARE, SOFTWARE, OR DATA.

Any disputes arising between manufacturer and customer shall be governed by the laws of Santa Clara County in the State of California, USA. The State of California, County of Santa Clara shall be the exclusive venue for the resolution of any such disputes. Supermicro's total liability for all claims will not exceed the price paid for the hardware product.

FCC Statement: This equipment has been tested and found to comply with the limits for a Class A or Class B digital device pursuant to Part 15 of the FCC Rules. These limits are designed to provide reasonable protection against harmful interference when the equipment is operated in industrial environment for Class A device or in residential environment for Class B device. This equipment generates, uses, and can radiate radio frequency energy and, if not installed and used in accordance with the manufacturer's instruction manual, may cause harmful interference with radio communications. Operation of this equipment in a residential area is likely to cause harmful interference, in which case you will be required to correct the interference at your own expense.

California Best Management Practices Regulations for Perchlorate Materials: This Perchlorate warning applies only to products containing CR (Manganese Dioxide) Lithium coin cells. "Perchlorate Material-special handling may apply. See <https://www.dtsc.ca.gov/hazardouswaste/perchlorate>".



WARNING: This product can expose you to chemicals including lead, known to the State of California to cause cancer and birth defects or other reproductive harm. For more information, go to <https://www.P65Warnings.ca.gov>.



AVERTISSEMENT : Ce produit peut vous exposer à des agents chimiques, y compris le plomb, identifié par l'État de Californie comme pouvant causer le cancer, des malformations congénitales ou d'autres troubles de la reproduction. Pour de plus amples informations, prière de consulter <https://www.P65Warnings.ca.gov>.

The products sold by Supermicro are not intended for and will not be used in life support systems, medical equipment, nuclear facilities or systems, aircraft, aircraft devices, aircraft/emergency communication devices or other critical systems whose failure to perform be reasonably expected to result in significant injury or loss of life or catastrophic property damage. Accordingly, Supermicro disclaims any and all liability, and should buyer use or sell such products for use in such ultra-hazardous applications, it does so entirely at its own risk. Furthermore, buyer agrees to fully indemnify, defend and hold Supermicro harmless for and against any and all claims, demands, actions, litigation, and proceedings of any kind arising out of or related to such ultra-hazardous use or sale.

Manual Revision 1.1b

Release Date: September 17, 2025

Unless you request and receive written permission from Super Micro Computer, Inc., you may not copy any part of this document. Information in this document is subject to change without notice. Other products and companies referred to herein are trademarks or registered trademarks of their respective companies or mark holders.

Copyright © 2025 by Super Micro Computer, Inc.
All rights reserved.

Published in the United States of America

Preface

About This Manual

This manual is written for professional system integrators and PC technicians. It provides information for the installation and use of the motherboard. Installation and maintenance should be performed by certified service technicians only.

Notes

For your system to work properly, follow the links below to download all necessary drivers/utilities and the user's manual for your motherboard.

- Supermicro product manuals: <https://www.supermicro.com/support/manuals>
- Product drivers and utilities: <https://www.supermicro.com/wdl>
- Product safety info: https://www.supermicro.com/about/policies/safety_information.cfm
- A secure data deletion tool designed to fully erase all data from storage devices can be found on our website:
https://www.supermicro.com/about/policies/disclaimer.cfm?url=/wdl/utility/Lot9_Secure_Data_Deletion_Utility
- Frequently Asked Questions: <https://www.supermicro.com/FAQ/index.php>
- If you still have questions after referring to our FAQs, contact our support team. Region-specific Technical Support email addresses can be found at: "[Contacting Supermicro](#)" on page 10
- If you have any feedback on Supermicro product manuals, contact our writing team at: Techwriterteam@supermicro.com

This manual may be periodically updated without notice. Check the Supermicro website for possible updates to the manual revision level.

Conventions Used in the Manual

Special attention should be given to the following symbols for proper installation and to prevent damage done to the components or injury to yourself.



Warning! Indicates important information given to prevent equipment/property damage or personal injury.



Warning! Indicates high voltage may be encountered while performing a procedure.

Important: Important information given to ensure proper motherboard installation or to relay safety precautions.

Note: Additional information given to differentiate various models or to provide information for proper motherboard setup.

Contents

Contacting Supermicro	10
Chapter 1: Introduction	11
1.1 Quick Reference	12
Checklist	12
Motherboard Layout	13
Quick Reference Table	16
Motherboard Features	18
Motherboard Block Diagram	21
1.2 Platform Overview	22
1.3 Special Features	23
Recovery from AC Power Loss	23
1.4 System Health Monitoring	24
Onboard Voltage Monitors	24
Fan Status Monitor with Firmware Control	24
Environmental Temperature Control	24
1.5 ACPI Features	25
Chapter 2: Component Installation	26
2.1 Static-Sensitive Devices	28
Precautions	28
Unpacking	28
2.2 Motherboard Installation	29
Tools Needed	29
Installing the Motherboard	29
2.3 Processor and Heatsink Installation	31
LGA 4710 Socket E2 Processors	31
Processor Top View	31
Overview of the Processor Carrier	32
Processor Carriers	32
Overview of the Processor Socket	33
Overview of the Processor Heatsink Module	33
Installing the Processor	36

Assembling the Processor Heatsink Module	38
Preparing the Processor Socket for Installation	45
Preparing to Install the PHM into the Processor Socket	46
Installing the Processor Heatsink Module	49
Removing the Processor Heatsink Module	57
2.4 Memory Support and Installation	67
Memory Support	67
General Guidelines for Optimizing Memory Performance	71
DIMM Installation	72
DIMM Removal	74
2.5 Battery Removal and Installation	76
Battery Removal	76
Proper Battery Disposal	76
Battery Installation	76
2.6 Connections, Jumpers, and LEDs	77
Power Supply and Power Connections	77
Power Supply	77
Power Connectors	77
Headers and Connections	78
Chassis Intrusion	78
COM Header	79
External BMC I ² C Header	79
External BMC I ² C Header for Backplane	79
Fan Headers	80
Inlet Sensor Header	80
M.2 M-Key PCIe 5.0 x2 Slots	80
MCIO PCIe 5.0 x8 Connectors	81
NC-SI Connection	81
NVMe SMBus Header	81
Power SMB (I ² C) Header	82
Standby Power	82
SATA 3.0 Ports	82
TPM/Port 80 Header	82
USB Header	83

VROC RAID Key Header	84
Front Control Panel	85
Power Button	85
Reset Button	86
Power Fail LED	86
Overheat/Fan Fail and UID LED	86
NIC1/NIC2 (LAN1/LAN2)	87
HDD LED	87
Power LED	88
NMI Button	88
I/O Ports	88
LAN Ports	89
USB Ports	89
Unit Identifier Button	90
VGA Port	91
Jumper Settings	91
CMOS Clear	92
I ² C Buses for VRM	92
LAN Port Enable/Disable	92
Onboard TPM Enable/Disable	93
LED Indicators	93
BMC Heartbeat LED	93
BMC LAN LEDs	93
LAN LEDs	94
M.2 LEDs	94
Onboard Power LED	95
Unit ID (UID) LED	95
Chapter 3: Troubleshooting	96
3.1 Troubleshooting Procedures	97
Before Power On	97
No Power	97
No Video	97
System Boot Failure	97
Memory Errors	98

Losing the System's Setup Configuration	98
If the System Becomes Unstable	98
3.2 Technical Support Procedures	100
3.3 Motherboard Battery	101
3.4 Where to Get Replacement Components	102
3.5 Returning Merchandise for Service	103
3.6 Feedback	104
Chapter 4: UEFI BIOS	105
4.1 Introduction	106
Updating BIOS	106
Starting the Setup Utility	106
4.2 Main Setup	108
4.3 Advanced Setup Configurations	110
Boot Feature Menu	110
CPU Configuration Menu	111
Advanced Power Management Configuration Menu	115
CPU P State Control Menu	116
Hardware PM State Control Menu	118
CPU C State Control Menu	118
Package C State Control Menu	119
CPU1 Core Disable Bitmap Menu	119
Chipset Configuration Menu	120
Uncore Configuration Menu	120
Memory Configuration Menu	122
Memory Topology Menu	123
Memory Map Menu	123
Memory RAS Configuration Menu	123
Security Configuration Menu	125
IIO Configuration Menu	131
CPU1 Configuration Menu	131
Intel VT for Directed I/O (VT-d) Menu	133
PCIe Leaky Bucket Configuration Menu	133
Trusted Computing Menu	134
ACPI Settings Menu	136

Super IO Configuration Menu	137
Serial Port 1 Configuration Menu	137
Serial Port 2 Configuration Menu	137
Serial Port Console Redirection Menu	138
Network Stack Configuration Menu	141
MAC:(MAC address)-IPv4 Network Configuration Menu	142
MAC:(MAC address)-IPv6 Network Configuration Menu	142
PCIe/PCI/PnP Configuration Menu	143
HTTP Boot Configuration Menu	145
Supermicro KMS Server Configuration Menu	147
Super-Guardians Configuration Menu	148
System Diagnostics Configuration Menu	150
Intel(R) Ethernet Controller Menu	151
TLS Authenticate Configuration Menu	152
Asmedia AHCI Controller	153
Driver Health Menu	153
4.4 Event Logs	154
4.5 BMC	156
System Event Log Menu	156
BMC Network Configuration Menu	157
4.6 Security	160
Secure Boot Menu	161
4.7 Boot	165
4.8 Save & Exit	167
Appendix A: Software	169
Microsoft Windows OS Installation	169
Installing the OS	169
Driver Installation	171
BMC	173
BMC ADMIN User Password	173
Appendix B: Standardized Warning Statements	174
Battery Handling	174
Product Disposal	176

Contacting Supermicro

Headquarters

Address: Super Micro Computer, Inc.
980 Rock Ave.
San Jose, CA 95131 U.S.A.

Tel: +1 (408) 503-8000

Fax: +1 (408) 503-8008

Email: Marketing@supermicro.com (General Information)
Sales-USA@supermicro.com (Sales Inquiries)
Government_Sales-USA@supermicro.com (Gov. Sales Inquiries)
Support@supermicro.com (Technical Support)
RMA@Supermicro.com (RMA Support)
Webmaster@supermicro.com (Webmaster)

Website: <https://www.supermicro.com>

Europe

Address: Super Micro Computer B.V.
Het Sterrenbeeld 28, 5215 ML
's-Hertogenbosch, The Netherlands

Tel: +31 (0) 73-6400390

Fax: +31 (0) 73-6416525

Email: Sales_Europe@supermicro.com (Sales Inquiries)
Support_Europe@supermicro.com (Technical Support)
RMA_Europe@supermicro.com (RMA Support)

Website: <https://www.supermicro.nl>

Asia-Pacific

Address: Super Micro Computer, Inc.
3F, No. 150, Jian 1st Rd.
Zhonghe Dist., New Taipei City 235 Taiwan (R.O.C)

Tel: +886 (2) 8226-3990

Fax: +886 (2) 8226-3992

Email: Sales-Asia@supermicro.com.tw (Sales Inquiries)
Support@supermicro.com.tw (Technical Support)
RMA@supermicro.com.tw (RMA Support)

Website: <https://www.supermicro.com.tw>

Chapter 1:

Introduction

Congratulations on purchasing your computer motherboard from an industry leader. Supermicro motherboards are designed to provide you with the highest standards in quality and performance.

1.1 Quick Reference	12
Checklist	12
Motherboard Layout	13
Quick Reference Table	16
Motherboard Features	18
Motherboard Block Diagram	21
1.2 Platform Overview	22
1.3 Special Features	23
Recovery from AC Power Loss	23
1.4 System Health Monitoring	24
Onboard Voltage Monitors	24
Fan Status Monitor with Firmware Control	24
Environmental Temperature Control	24
1.5 ACPI Features	25

1.1 Quick Reference

For details on the X14SBI-F/-TF motherboard layout, features, and other quick reference information, refer to the content below.

Checklist

In addition to the X14SBI-F/-TF motherboard, several important parts that are included in your shipment are listed below. If anything listed is damaged or missing, contact your retailer.

Main Parts List		
Description	Part Number	Quantity
Supermicro Motherboard	X14SBI-F/-TF	1
SATA Cables	CBL-SAST-1280QT4S2-100	1
CPU Carrier (XCC)	SKT-1543H000-FXC (XCC)	1
CPU Carrier (HCC/LCC)	SKT-1544H000-FXC (HCC/LCC)	1
I/O Shield	MCP-260-00042-1N	1
Quick Reference Guide	(MNL-2712)-QRG	1

Motherboard Layout

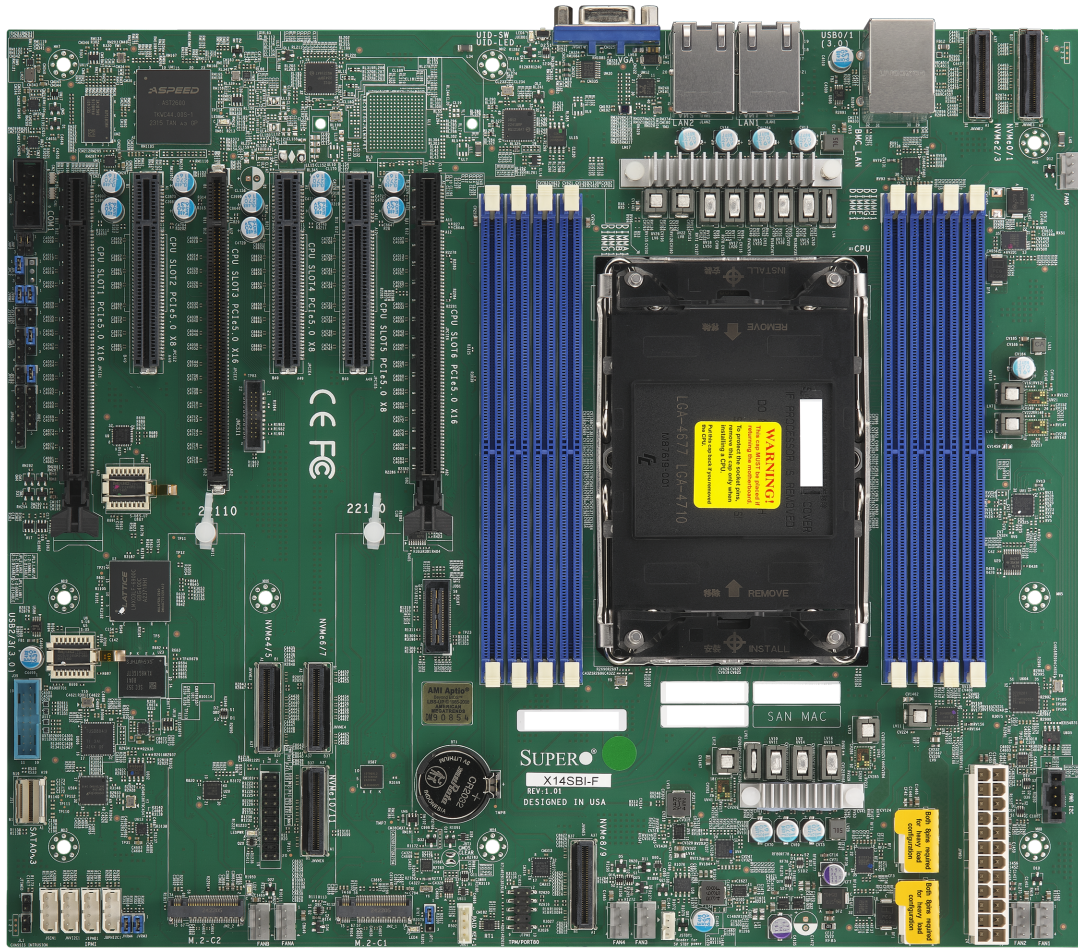


Figure 1-1. X14SBI-F Motherboard Image

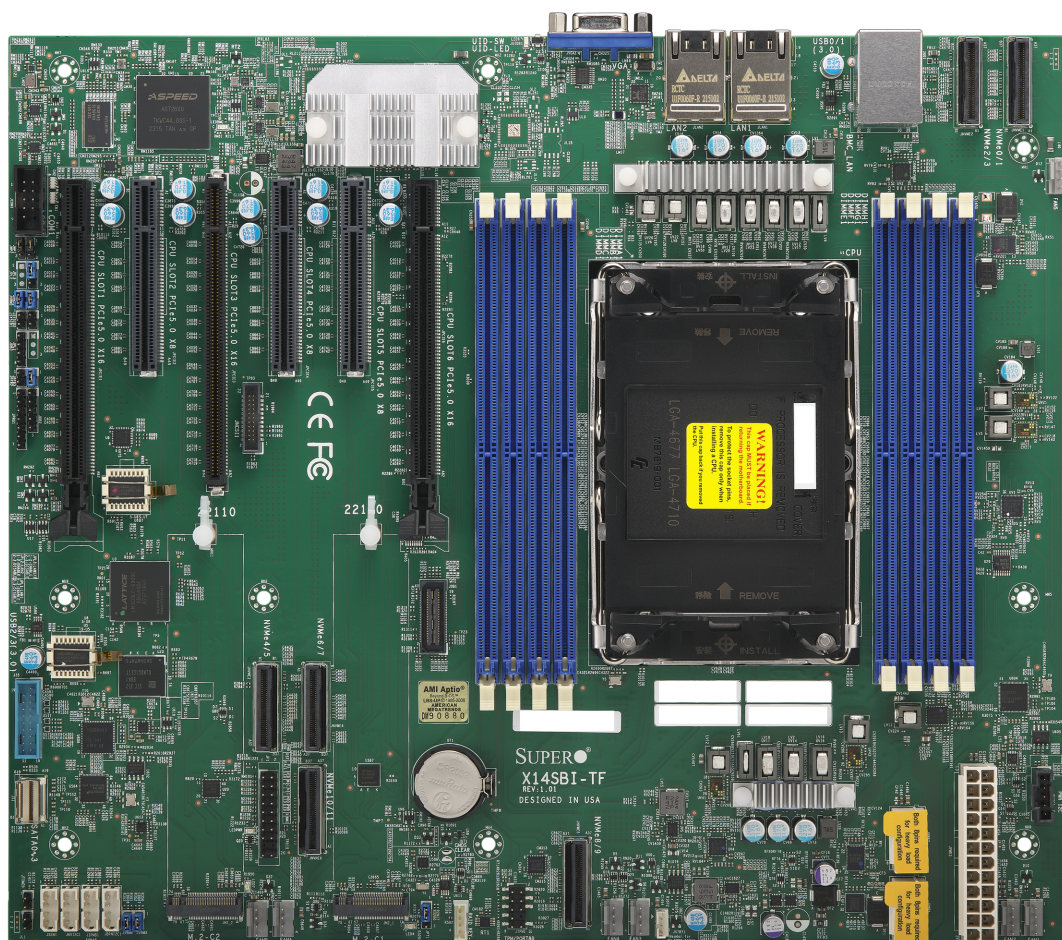


Figure 1-2. X14SBI-TF Motherboard Image

Note: All graphics shown in this manual were based upon the latest PCB revision available at the time of publication of the manual. The motherboard you received may or may not look exactly the same as the graphics shown in the manual.

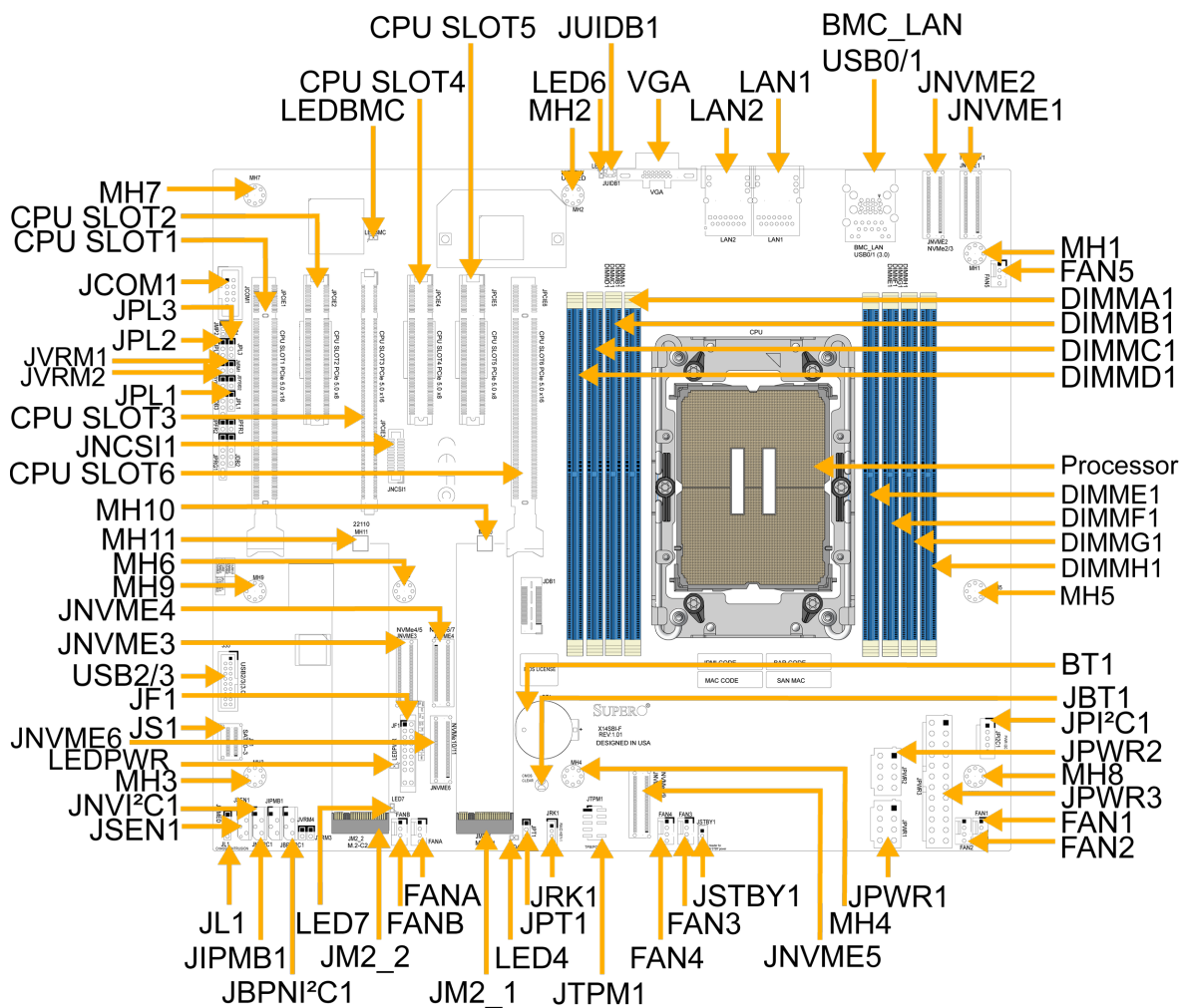


Figure 1-3. X14SBI-F and X14SBI-TF Motherboard Layout

Notes:

- For detailed information on jumpers, connectors, and LED indicators, see "[Component Installation](#)" on page 26.
- "■" indicates the location of pin 1.
- "MH" indicates the location of a mounting hole.
- Components not documented are for internal testing purposes only.
- Use only the correct type of onboard CMOS battery as specified by the manufacturer. To avoid possible explosion, do not install the onboard battery upside down.

Quick Reference Table

Jumper	Description	Default Setting
JBT1	CMOS Clear	Open (Normal)
JPL1	i210 LAN1 Enable/Disable (X14SBI-F only)	Pins 1–2 (Enabled)
JPL2	i210 LAN2 Enable/Disable (X14SBI-F only)	Pins 1–2 (Enabled)
JPL3	X550 LAN1 and LAN2 Enable/Disable (X14SBI-TF only)	Pins 1–2 (Enabled)
JPT1	Onboard TPM Enable/Disable	Pins 1–2 (Enabled)
JVRM1	VRM SMB Clock (to BMC)	Pins 1–2 (Normal)
JVRM2	VRM SMB Data (to BMC)	Pins 1–2 (Normal)

LED	Description	Status
LED4	M.2 LED	Blinking: Device Working
LED6	Unit Identifier LED	Solid Blue: Unit Identified
LED7	M.2 LED	Blinking: Device Working
LEDBMC	BMC Heartbeat	Blinking Green: Device Working
LEDPWR	Onboard Power LED	Solid Green: Power On

Connector	Description
BMC_LAN	Dedicated BMC LAN Port
BT1	Onboard Battery
FAN1–FAN5, FANA, FANB	CPU/System Fan Headers (FAN1: CPU Fan)
JBPNI ² C1	4-pin BMC External I ² C Header for Backplane
JCOM1	COM Header
JF1	Front Control Panel Header
JIPMB1	System Management Bus Header (for IPMI only)
JL1	Chassis Intrusion Header
JM2_1, JM2_2	M.2 M-Key PCIe 5.0 x2 Connectors (supports 22110 form factor)

Connector	Description
JNCSI1	NC-SI Port Selection
JNVI ² C1	Non-volatile Memory (NVMe) I ² C Header
JNVME1– JNVME6	MCIO PCIe 5.0 x8 Connectors (JNVME1 and JNVME2 support CXL 2.0 devices. JNVME3–JNVME6 are enabled with the following processors installed: Intel® Xeon® 6781P, 6761P, 6741P, 6731P, and 6521P)
JPI ² C1	Power System Management Bus I ² C Header
JPWR1, JPWR2	8-pin 12 V CPU Power Connector
JPWR3	24-pin ATX Power Connector (Required)
JRK1	VROC RAID Key Header
JS1	Slimline SAS SATA 3.0 Ports
JSEN1	Inlet Sensor Header
JSTBY1	Standby Power Connector
JTPM	Trusted Platform Module (TPM)/Port 80 Connector
JUIDB1	Unit Identifier Button
LAN1, LAN2	LAN (RJ45) Ports
SLOT1	PCIe 5.0 x16 Slot with Latch (Supports CXL 2.0 devices)
SLOT2	PCIe 5.0 x8 Slot (Supports CXL 2.0 devices)
SLOT3	PCIe 5.0 x16 Slot (Supports CXL 2.0 devices)
SLOT4	PCIe 5.0 x8 Slot (Supports CXL 2.0 devices)
SLOT5	PCIe 5.0 x8 Slot (Supports CXL 2.0 devices)
SLOT6	PCIe 5.0 x16 Slot with Latch (Enabled with the following processors installed: Intel® Xeon® 6781P, 6761P, 6741P, 6731P, 6521P, 6511P)
USB0/1	USB 3.2 Gen 1 Ports
USB2/3	USB 3.2 Gen 1 Header
VGA	VGA Port

Note: Jumpers, connectors, switches, and LED indicators that are not described in these tables are for manufacturing testing purposes only, and are not covered in this manual.

Motherboard Features

Motherboard Features
<p>Processor</p> <ul style="list-style-type: none"> Supports the Intel® Xeon® 6700/6500-series processors with P-cores or Intel® Xeon® 6700 processor with E-cores, and a Thermal Design Power (TDP) of up to 350 W
<p>Memory</p> <ul style="list-style-type: none"> Supports up to 2 TB of 3DS RDIMM/MRDIMM DDR5 ECC memory with speeds of up to 8000 MT/s in eight DIMM slots <p>Note: Intel® Xeon® 6700/6500-series processors with P-cores is required to support MRDIMM.</p>
<p>DIMM Size</p> <ul style="list-style-type: none"> DDR5 RDIMM: 16 GB, 24 GB, 32 GB, 48 GB, 64 GB, 96 GB, 128 GB DDR5 3DS RDIMM: 256 GB DDR5 MRDIMM (P-cores only): 32 GB, 64 GB <p>Note: Memory speed support depends on the processor used in the system.</p>
<p>Expansion Slots</p> <ul style="list-style-type: none"> Two PCIe 5.0 x16 slots with latches (SLOT1 supports CXL 2.0 devices), (SLOT6 is enabled with the following processors installed: Intel® Xeon® 6781P, 6761P, 6741P, 6731P, 6521P, 6511P) One PCIe 5.0 x16 slot (SLOT3 supports CXL 2.0 devices) Three PCIe 5.0 x8 slots (SLOT2, SLOT4, and SLOT5 support CXL 2.0 devices) Six MCIO PCIe 5.0 x8 connectors (JNVME1 and JNVME2 support CXL 2.0 devices. JNVME3–JNVME6 are enabled with the following processors installed: Intel® Xeon® 6781P, 6761P, 6741P, 6731P, and 6521P) Four SATA 3.0 (through SlimSAS x4) connections Two M.2 M-Key PCIe 5.0 x2 connectors in the 22110 form factor

Motherboard Features
Network Controllers
<ul style="list-style-type: none"> • Dual 1 GbE (X14SBI-F, i210) LAN ports • Dual 10 GbE (X14SBI-TF, X550-AT2) LAN ports • One dedicated BMC LAN
Baseboard Management Controller (BMC)
<ul style="list-style-type: none"> • ASpeed AST2600 BMC
Graphics
<ul style="list-style-type: none"> • Graphics controller via ASpeed AST2600 BMC
I/O Devices
<ul style="list-style-type: none"> • One VGA port • One COM header • One TPM header • One NC-SI header
Peripheral Devices
<ul style="list-style-type: none"> • Four USB 3.2 Gen 1 ports (two ports, two headers)
BIOS
<ul style="list-style-type: none"> • 512 Mb AMI BIOS® SPI Flash BIOS • ACPI 6.5 or later, Plug and Play (PnP) SPI dual/quad speed support, riser card auto detection support, SMBIOS 3.7.0 or later
Power Management
<ul style="list-style-type: none"> • ACPI power management • Power button override mechanism • Power-on mode for AC power recovery • Wake up on LAN • Power supply monitoring • RoHS

Motherboard Features
System Health Monitoring
<ul style="list-style-type: none"> • Onboard voltage monitoring for +3.3 V, +5 V, +12 V, +3.3 VStby, +5 VStby, Vcore, CPU temperature, system temperature, peripheral temperature, memory temperature, GPU temperature, and NVMe temperature • CPU thermal trip support • Platform Environment Control Interface (PECI)/TSI
Fan Control
<ul style="list-style-type: none"> • Seven 4-pin fan headers • Fan speed control
System Management
<ul style="list-style-type: none"> • Onboard TPM9672: TCG 2.0, FIPS 140-2 Level 2 certified • Platform Environment Control Interface (PECI) 3.0 support • Watchdog, NMI • Chassis intrusion header and detection • Intel Active Management Technology
LED Indicators
<ul style="list-style-type: none"> • CPU/system overheat LED • Power/suspend-state indicator LED • Fan failed LED • UID/remote UID • HDD activity LED • LAN activity LED
Dimensions
12.3" x 10.5" (312.42 mm x 266.7 mm) (W x L), ATX FF

Motherboard Block Diagram

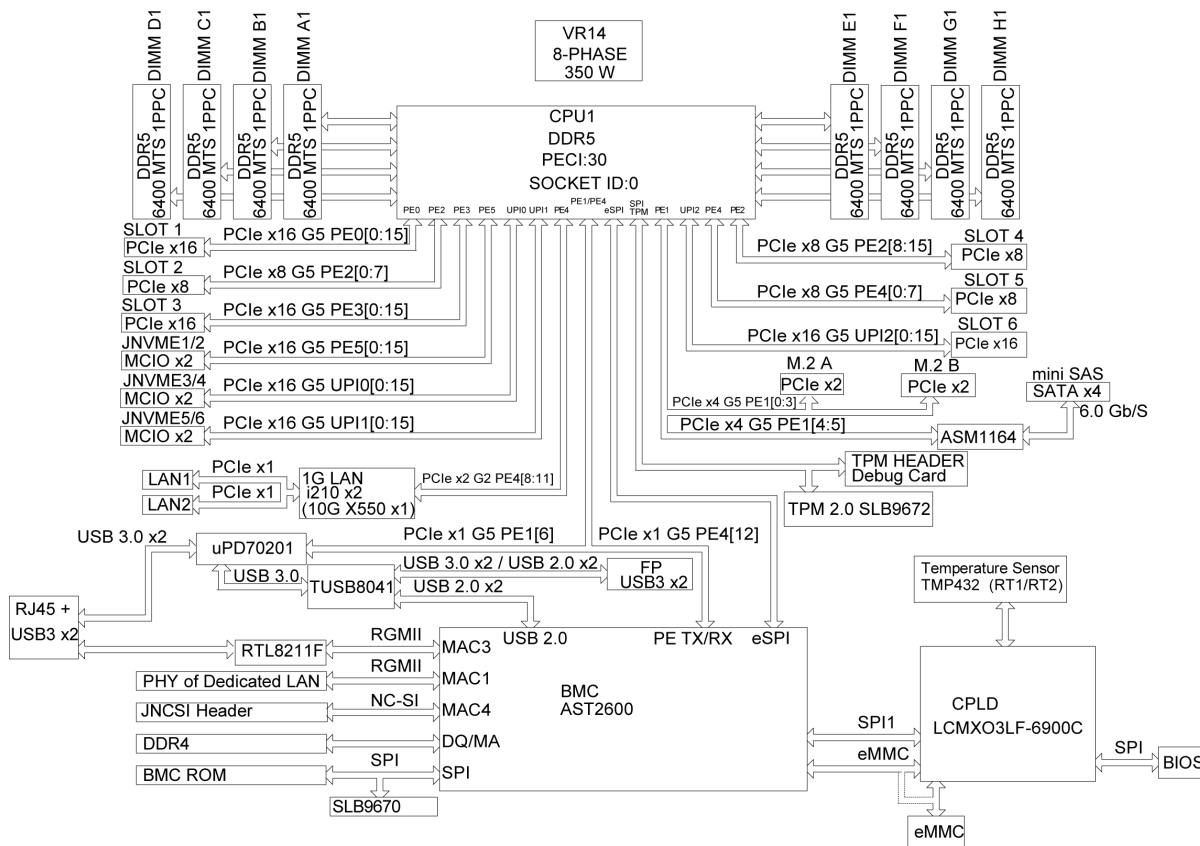


Figure 1-4. Motherboard Block Diagram

Note: This is a general block diagram and may not exactly represent the features on your motherboard. For the actual specifications of your motherboard, see the previous pages.

1.2 Platform Overview

Built upon the capability of the Intel® Xeon® 6700/6500-series processors with P-cores or Intel® Xeon® 6700 processor with E-cores, the X14SBI-F/-TF motherboard provides system performance, power efficiency, and feature sets to address the needs of next-generation computer users.

The X14SBI-F/-TF motherboard dramatically increases system performance for a multitude of server applications and supports the following features:

The X14SBI-F/-TF motherboard excels with multiple PCIe expansions and MCIOs design to handle high-density storage and GPUs. It supports direct installation of two FH/FL and double-width GPUs for optimal acceleration to achieve extreme performance.

The X14SBI-F/-TF motherboard dramatically increases system performance for a multitude of server applications and supports the following features:

- Up to six PCIe 5.0 slots: three PCIe 5.0 x16, three PCIe 5.0 x8 (SLOT1–SLOT5 support CXL 2.0 devices. SLOT6 is enabled with the following processors installed: Intel® Xeon® 6781P, 6761P, 6741P, 6731P, and 6521P)
- Up to six MCIO PCIe 5.0 x8 connectors (JNVME1 and JNVME2 support CXL 2.0 devices. JNVME3 - JNVME6 are enabled with the following processors installed: Intel® Xeon® 6781P, 6761P, 6741P, 6731P, 6521P, 6511P)
- BMC supports remote management, virtualization, Redfish, and the security package for enterprise platforms
- Single socket E2 (LGA 4710) supported, processor supports up to 350 W TDP
- Up to 2 TB of 3DS RDIMM/MRDIMM DDR5 ECC memory with speeds of up to 8000 MT/s in eight DIMM slots
- Dual LAN with 10G Base-T with Intel® X550 (X14SBI-TF)
- Onboard TPM9672: TCG 2.0, FIPS 140-2 Level 2 certified
- Intel Software Guard Extensions (SGX), Intel Trusted Domain Extensions (TDX)
- Intel QuickAssist Technology (QAT), Intel Dynamic Load Balancer (DLB) 2.5, Intel Data Streaming Accelerator, Intel In-Memory Analytics Accelerator (IAA) 2.0

1.3 Special Features

Recovery from AC Power Loss

The Basic I/O System (BIOS) provides a setting that determines how the system will respond when AC power is lost and then restored to the system. You can choose for the system to remain powered off (in which case you must press the power switch to turn it back on), or for it to automatically return to the power-on state. See Advanced Setup Configurations under "[UEFI BIOS](#)" on [page 105](#) for this setting. The default setting is **Last State**.

1.4 System Health Monitoring

Onboard Voltage Monitors

An onboard voltage monitor will continuously scan the voltages of the onboard chipset, memory, processor, and battery. Once a voltage becomes unstable, a warning is given or an error message is sent to the screen. You can adjust the voltage thresholds to define the sensitivity of the voltage monitor. Real time voltage levels are displayed in IPMI.

Fan Status Monitor with Firmware Control

The system health monitor embedded in the BMC chip can check the RPM status of the cooling fans. The processor and chassis fans are controlled via IPMI.

Environmental Temperature Control

System Health sensors in the BMC monitor the temperatures and voltage settings of onboard processors and the system in real time via the IPMI interface. Whenever the temperature of the processor or the system exceeds a user-defined threshold, system/processor cooling fans will be turned on to prevent the processor or the system from overheating.

Note: To avoid possible system overheating, be sure to provide adequate airflow to your system.

1.5 ACPI Features

ACPI stands for Advanced Configuration and Power Interface. The ACPI specification defines a flexible and abstract hardware interface that provides a standard way to integrate power management features throughout a computer system, including its hardware, operating system and application software. This enables the system to automatically turn on and off peripherals such as network cards, hard disk drives, and printers.

In addition to enabling operating system-directed power management, ACPI also provides a generic system event mechanism for Plug and Play, an operating system-independent interface for configuration control. ACPI leverages the Plug and Play BIOS data structures while providing a processor architecture-independent implementation that is compatible with Windows Server 2025.

Chapter 2:

Component Installation

This chapter provides instructions on installing and replacing main system components for the motherboard. To prevent compatibility issues, only use components that match the specifications and/or part numbers given.

Installation or replacement of most components require that power first be removed from the system. Follow the procedures given in each section.

2.1 Static-Sensitive Devices	28
Precautions	28
Unpacking	28
2.2 Motherboard Installation	29
Tools Needed	29
Installing the Motherboard	29
2.3 Processor and Heatsink Installation	31
LGA 4710 Socket E2 Processors	31
Overview of the Processor Carrier	32
Overview of the Processor Socket	33
Overview of the Processor Heatsink Module	33
Installing the Processor	36
Assembling the Processor Heatsink Module	38
Preparing the Processor Socket for Installation	45
Preparing to Install the PHM into the Processor Socket	46
Installing the Processor Heatsink Module	49
Removing the Processor Heatsink Module	57
2.4 Memory Support and Installation	67
Memory Support	67
General Guidelines for Optimizing Memory Performance	71
DIMM Installation	72
DIMM Removal	74
2.5 Battery Removal and Installation	76
Battery Removal	76

Proper Battery Disposal	76
Battery Installation	76
2.6 Connections, Jumpers, and LEDs	77
Power Supply and Power Connections	77
Headers and Connections	78
Front Control Panel	85
I/O Ports	88
Jumper Settings	91
LED Indicators	93

2.1 Static-Sensitive Devices

Electrostatic Discharge (ESD) can damage electronic components. To avoid damaging your motherboard, it is important to handle it very carefully. The following measures are generally sufficient to protect your equipment from ESD.

Precautions

- Use a grounded wrist strap designed to prevent static discharge.
- Touch a grounded metal object before removing the board from the antistatic bag.
- Handle the motherboard only by its edges. Do not touch its components, peripheral chips, memory modules, or gold contacts.
- When handling chips or modules, avoid touching their pins.
- Put the motherboard and peripherals back into their antistatic bags when not in use.
- For grounding purposes, make sure that your computer chassis provides excellent conductivity between the power supply, the case, the mounting fasteners, and the motherboard.
- Use only the correct type of onboard CMOS battery. To avoid possible explosion, do not install the onboard battery upside down.

Unpacking

To avoid static damage, the motherboard is shipped in antistatic packaging. When unpacking the motherboard, make sure that the person handling it is static protected.

2.2 Motherboard Installation

All motherboards have standard mounting holes to fit different types of chassis. Make sure that the locations of all the mounting holes for both the motherboard and the chassis match. Although a chassis may have both plastic and metal mounting fasteners, metal ones are highly recommended because they ground the motherboard to the chassis. Make sure that the metal standoffs click in or are screwed in tightly.

Tools Needed

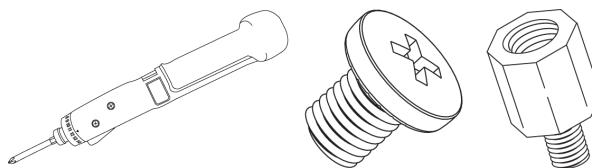


Figure 2-1. Torque Driver (1), Phillips Screws (11), Standoffs (11, only if needed)

Notes:

- To avoid damaging the motherboard and its components, do not use a force greater than 8 lbf-in on each mounting screw during motherboard installation.
- Some components are very close to the mounting holes. Take precautionary measures to avoid damaging these components when installing the motherboard to the chassis.

Installing the Motherboard

1. Install the I/O shield into the back of the chassis, if applicable.

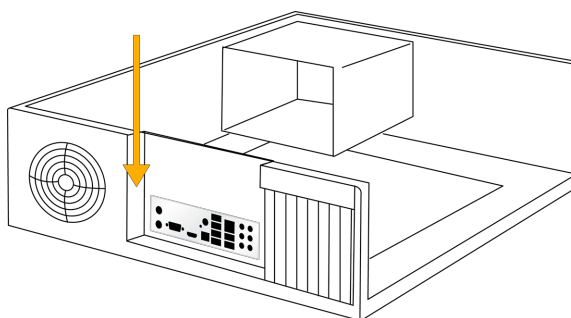


Figure 2-2. Installing the I/O Shield

Note: Images displayed are for illustration purposes only. The components installed in your system may or may not look exactly the same as the graphics shown in the manual.

2. Locate the mounting holes on the motherboard. See Motherboard Installation for the location.

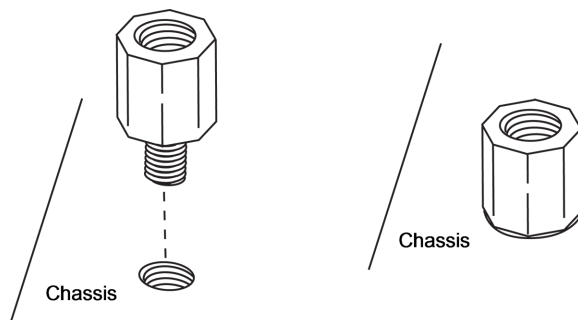


Figure 2-3. Locating the Mounting Holes

3. Locate the matching mounting holes on the chassis. Align the mounting holes on the motherboard against the mounting holes on the chassis.

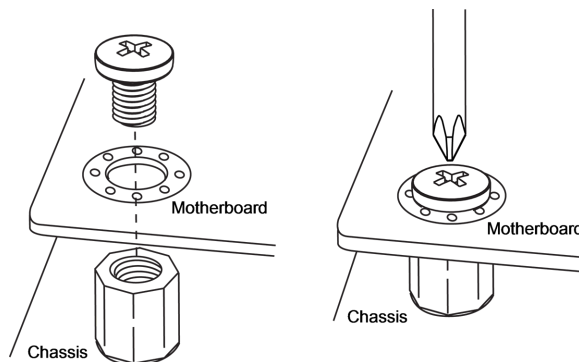


Figure 2-4. Aligning the Mounting Holes

4. Install standoffs in the chassis as needed.
5. Install the motherboard into the chassis carefully to avoid damaging other motherboard components.
6. Insert pan head #6 screws into the mounting holes on the motherboard and the matching mounting holes on the chassis.
7. Make sure that the motherboard is securely placed in the chassis.

2.3 Processor and Heatsink Installation

This section provides procedures to install the processor(s) and heatsink(s).

Notes:

- Take industry standard precautions to avoid ESD damage. For details, see "[Static-Sensitive Devices](#)" on page 28.
- Before starting, make sure that the plastic socket cap is in place and none of the socket pins are bent. If any damage is noted, contact your retailer.
- Do not connect the system power cord before the processor and heatsink installation is complete.
- When handling the processor, avoid touching or placing direct pressure on the LGA lands (gold contacts). Improper installation or socket misalignment can cause serious damage to the processor or processor socket.
- Install the processor in the socket and the motherboard into the chassis before installing the heatsink.
- When buying a processor separately, use only a Supermicro certified heatsink.
- Refer to the Supermicro website for the most recent processor support.
- When installing the heatsink, ensure a torque driver set to the correct force is used for each screw.
- Thermal grease is pre-applied on a new heatsink. No additional thermal grease is needed.

LGA 4710 Socket E2 Processors

Processor Top View

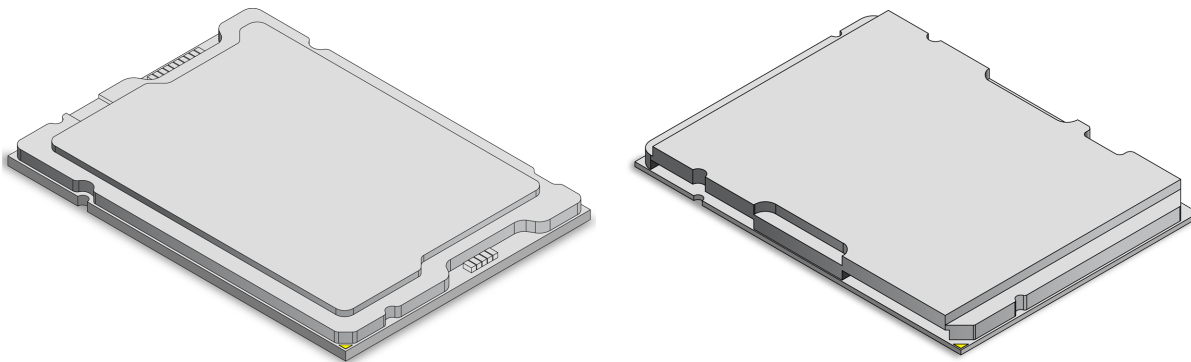


Figure 2-5. Processor (SP XCC left, SP HCC/LCC right)

Note: The motherboard supports three processor SKUs: SP XCC, SP HCC, and SP LCC. Each SKU supports a specific carrier; the SP XCC processor supports Carrier E2A while SP HCC and SP LCC support Carrier E2B. Make sure the processors of the same SKU are on the motherboard.

Overview of the Processor Carrier

The motherboard supports two types of processors and their associated processor carrier.

Processor Carriers

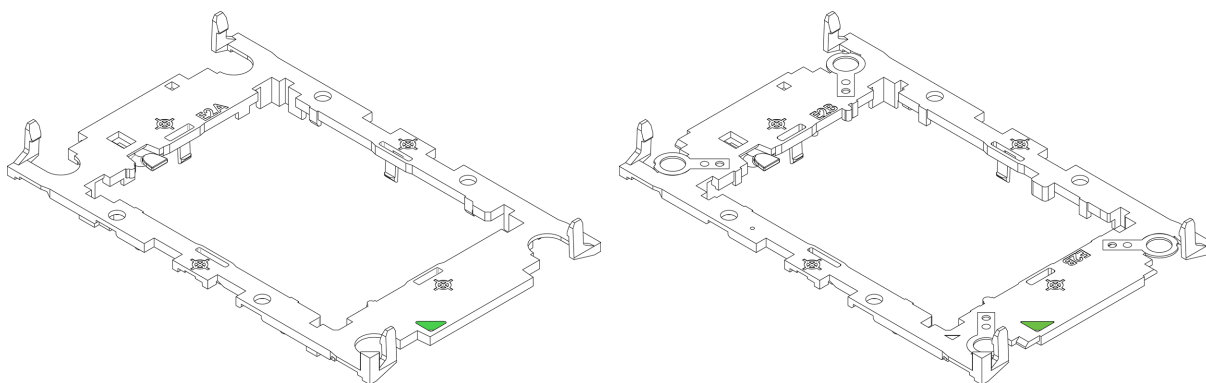


Figure 2-6. Carrier (SP XCC E2A left, SP HCC/LCC E2B right)

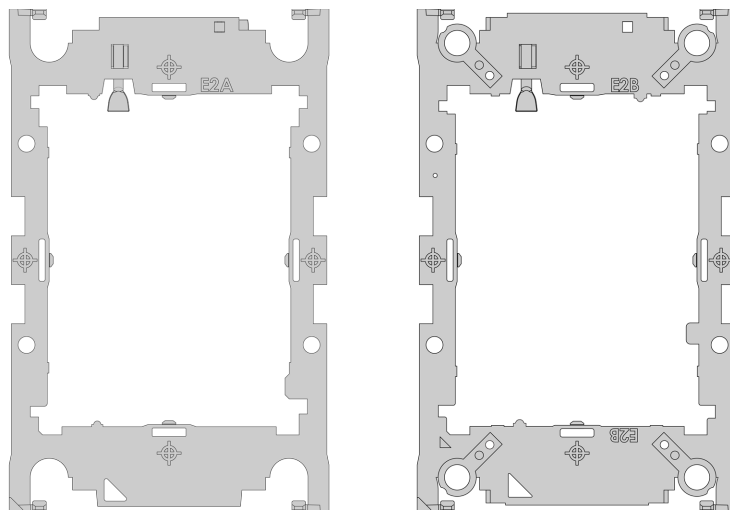


Figure 2-7. Carrier Top View (SP XCC E2A left, SP HCC/LCC E2B right)

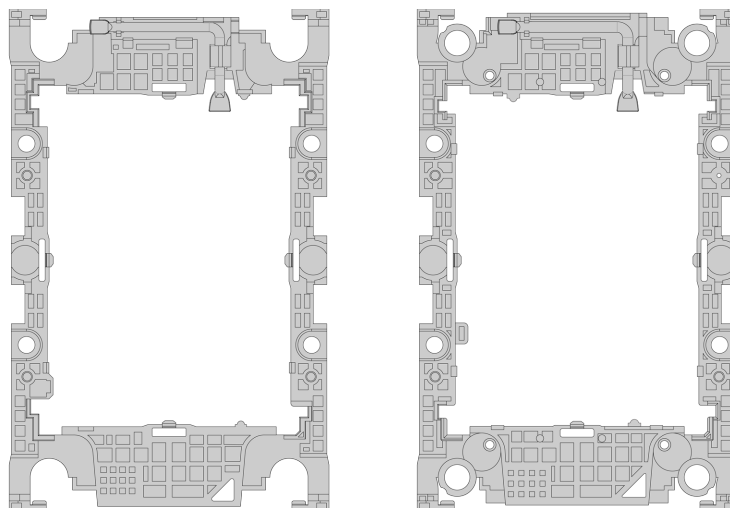


Figure 2-8. Carrier Bottom View (SP XCC E2A left, SP HCC/LCC E2B right)

Overview of the Processor Socket

The processor socket is protected by a plastic protective cover.

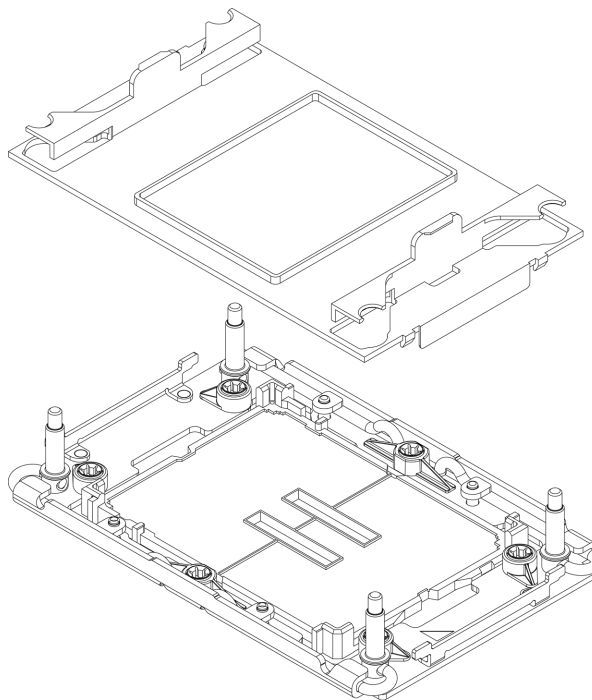


Figure 2-9. Plastic Protective Cover and Processor Socket

Overview of the Processor Heatsink Module

The Processor Heatsink Module (PHM) contains a heatsink, a processor carrier, and the processor.

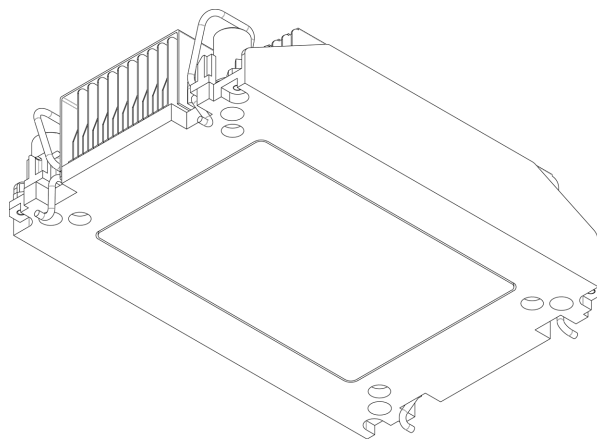


Figure 2-10. Heatsink (1U)

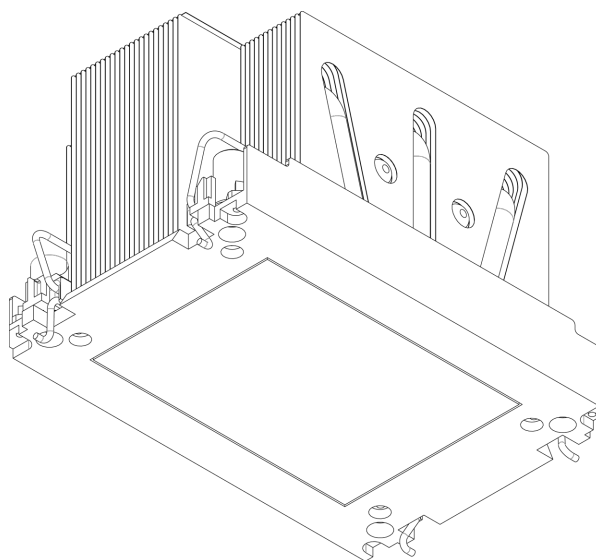


Figure 2-11. Heatsink (2U)

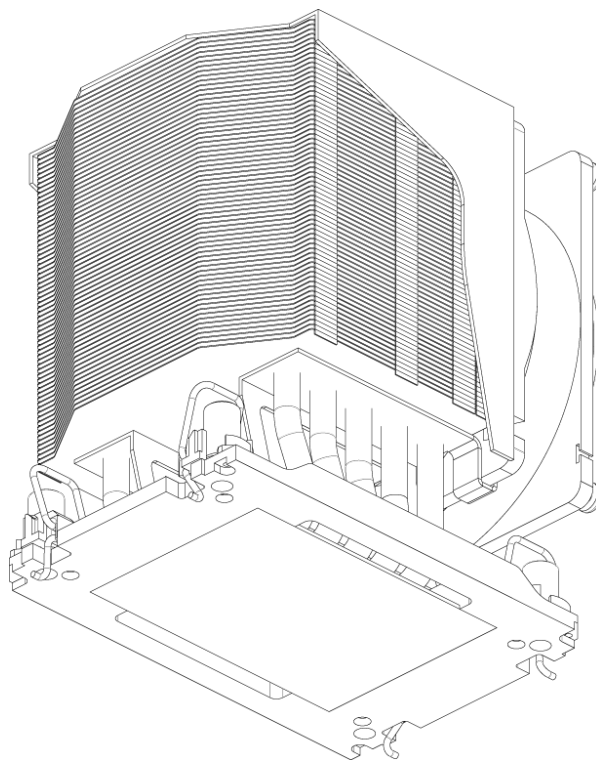


Figure 2-12. Heatsink (4U)

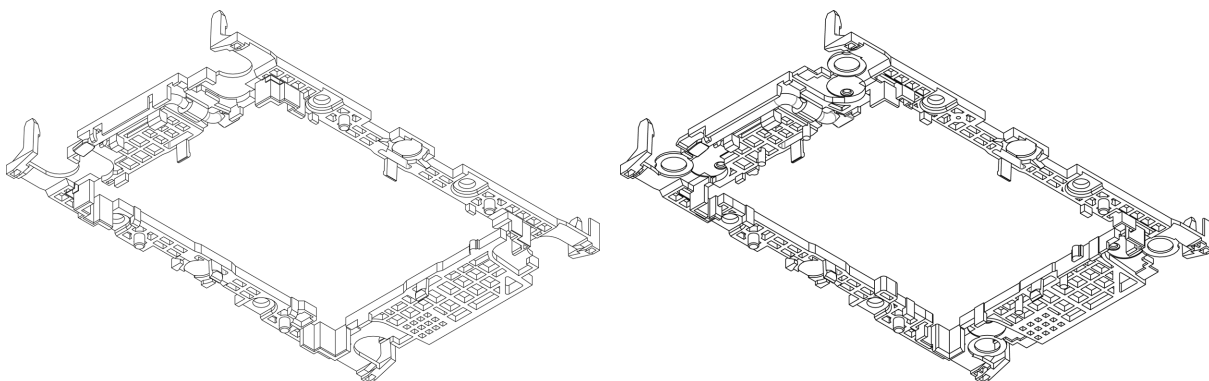


Figure 2-13. Carrier (SP XCC E2A left, SP HCC/LCC E2B right)

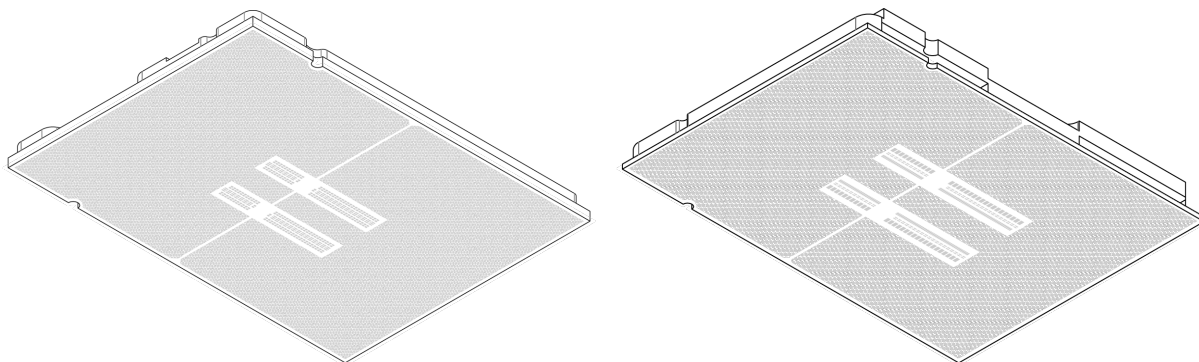


Figure 2-14. Processor (SP XCC E2A left, SP HCC/LCC E2B right)

Installing the Processor

To install the processor, follow the steps below:

1. Before installation, make sure the lever on the processor carrier is pressed down as shown below.

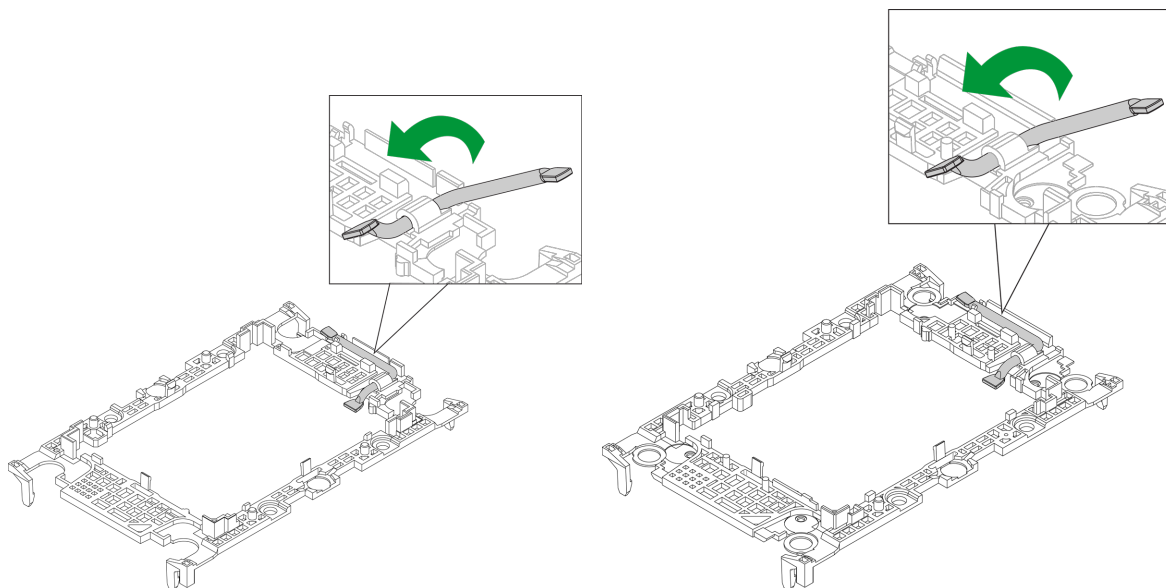


Figure 2-15. Carrier Lever (SP XCC left, SP HCC/LCC right)

2. Hold the processor with the LGA lands (gold contacts) facing up. Locate the small, gold triangle in the corner of the processor and the corresponding hollowed triangle on the processor carrier. These triangles indicate pin 1.

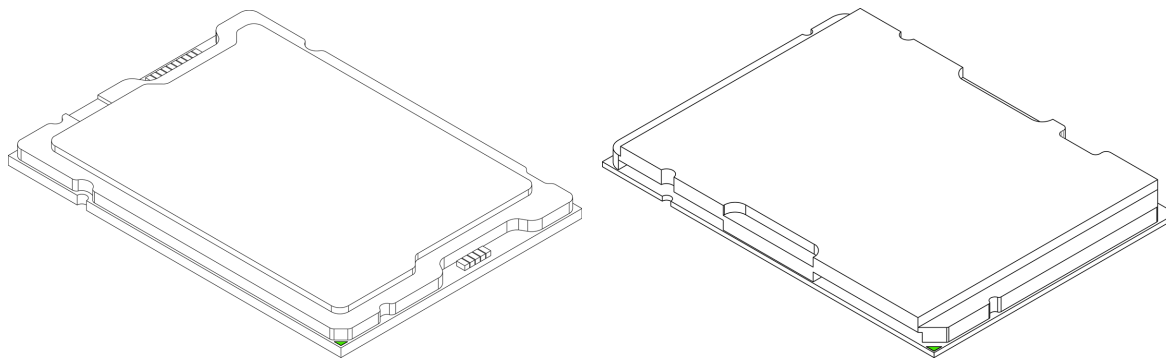


Figure 2-16. Processor (SP XCC E2A left, SP HCC/LCC E2B right)

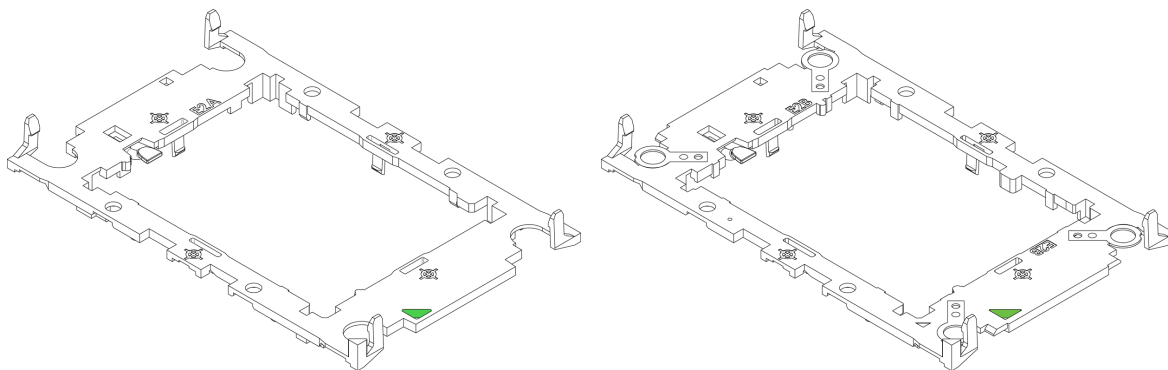


Figure 2-17. Carrier (SP XCC E2A left, SP HCC/LCC E2B right)

3. Use the triangles as a guide to carefully align and place one end of the processor into the latch marked A, and place the other end of the processor into the latch marked B as shown below.

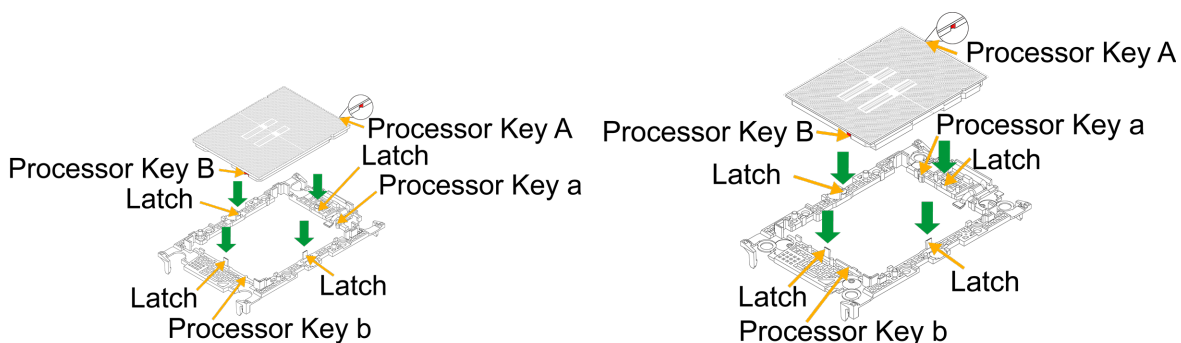


Figure 2-18. Keys and Latches Locations (SP XCC E2A left, SP HCC/LCC E2B right)

4. Examine all corners to ensure that the processor is firmly attached to the carrier.

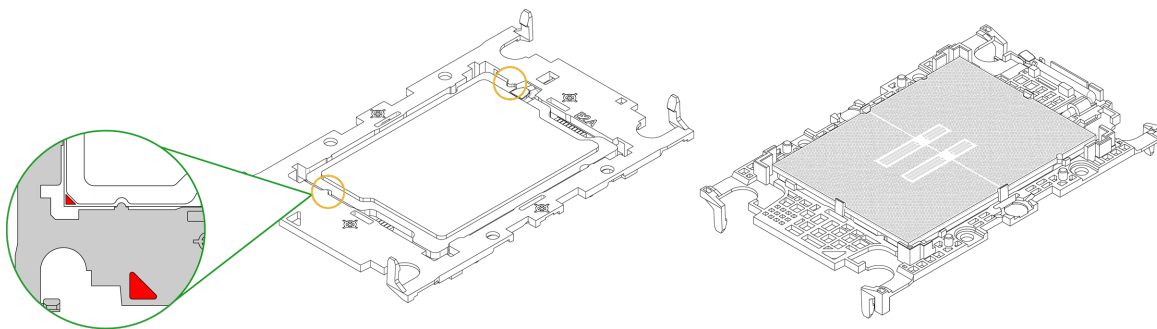


Figure 2-19. SP XCC E2A Keys and Latches

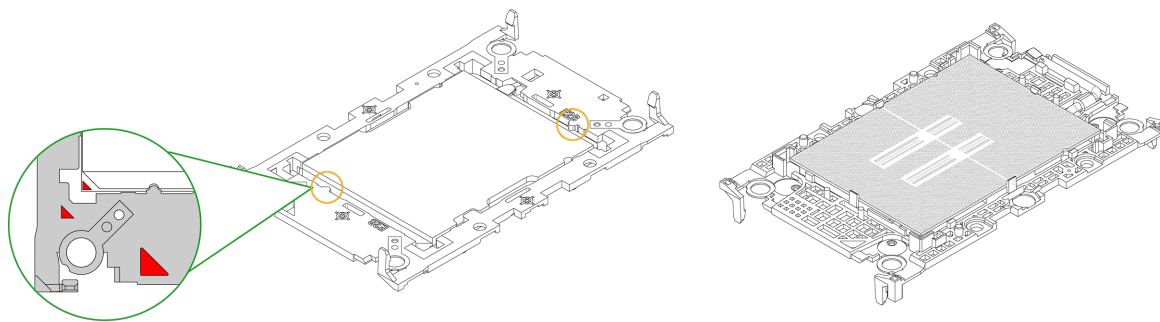


Figure 2-20. SP HCC/LCC E2B Keys and Latches Together

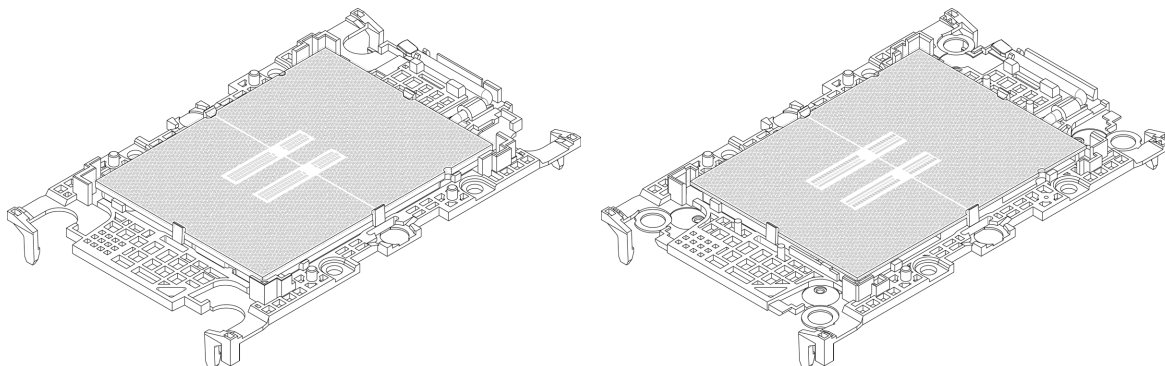


Figure 2-21. Carrier Assembly Completed (SP XCC E2A left, SP HCC/LCC E2B right)

Assembling the Processor Heatsink Module

After installing the processor into the carrier, mount it onto the heatsink to create the processor heatsink module (PHM):

1. Loosen the Torx screw from the heatsink.

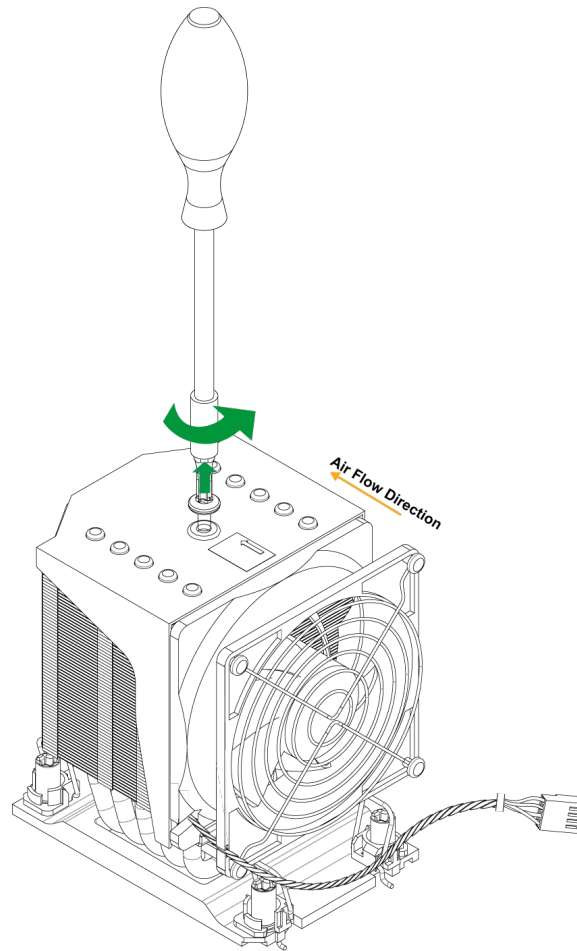


Figure 2-22. Loosening the Screw

2. Gently pull the heatsink fan upward to detach it from the heatsink.

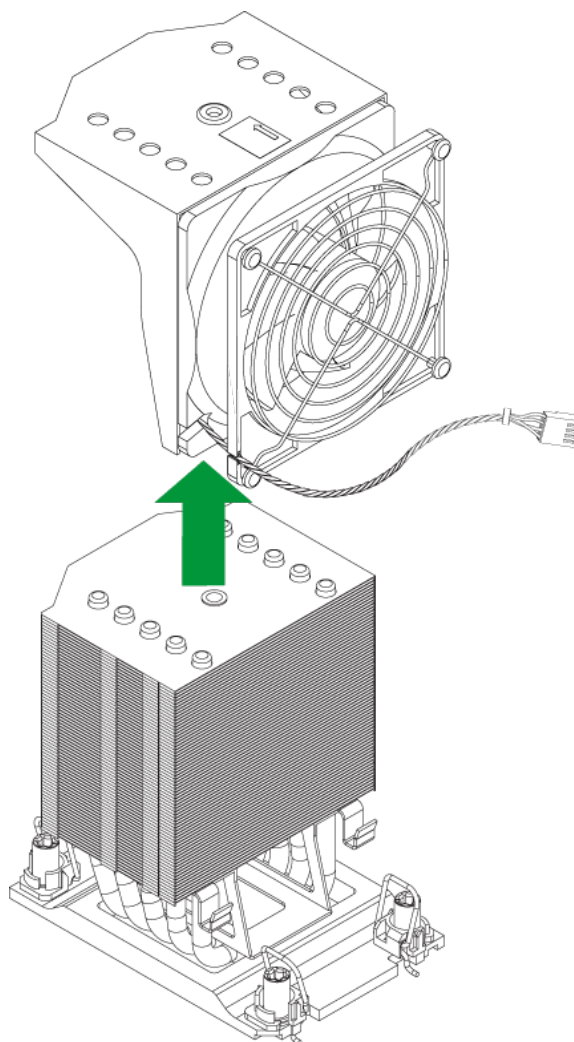


Figure 2-23. Heatsink Fan Detached

3. Note the label on top of the heatsink, which marks the airflow direction. Turn the heatsink over and orient the heatsink so the airflow arrow is pointing towards the triangle on the processor.
4. If this is a new heatsink, the thermal grease has been pre-applied. Otherwise, apply the proper amount of thermal grease.
5. Hold the processor carrier so the processor's gold contacts are facing up, then align the holes of the processor carrier with the holes on the heatsink. Press the processor carrier down until it snaps into place. The plastic clips of the processor carrier will lock at the four corners.

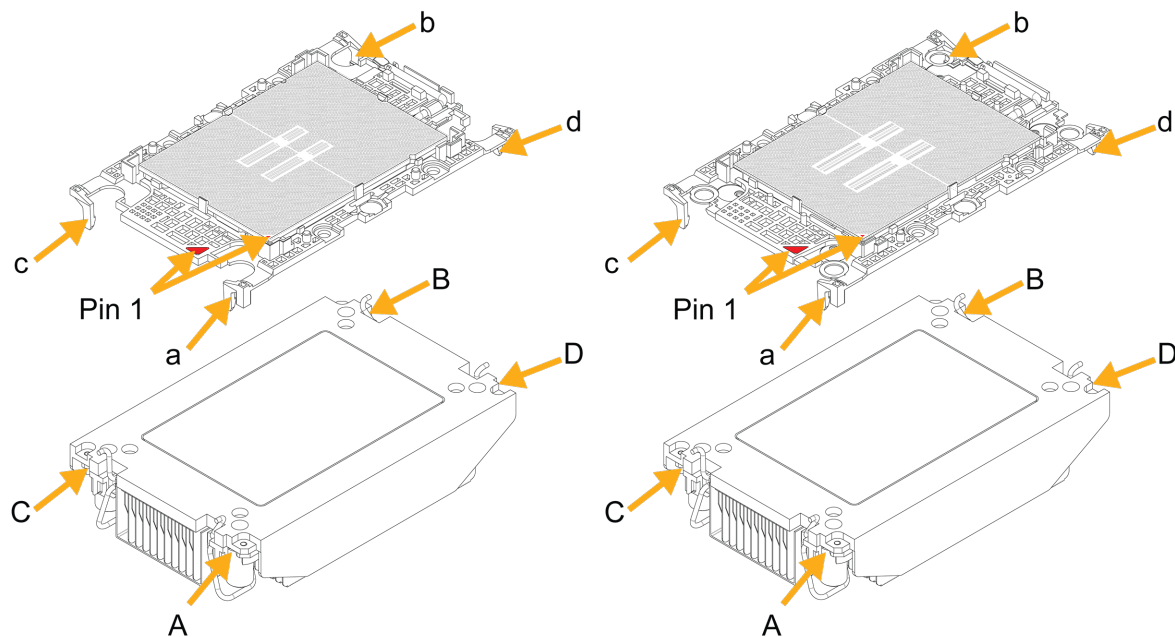


Figure 2-24. Carrier with 1U Heatsink (SP XCC left, SP HCC/LCC right)

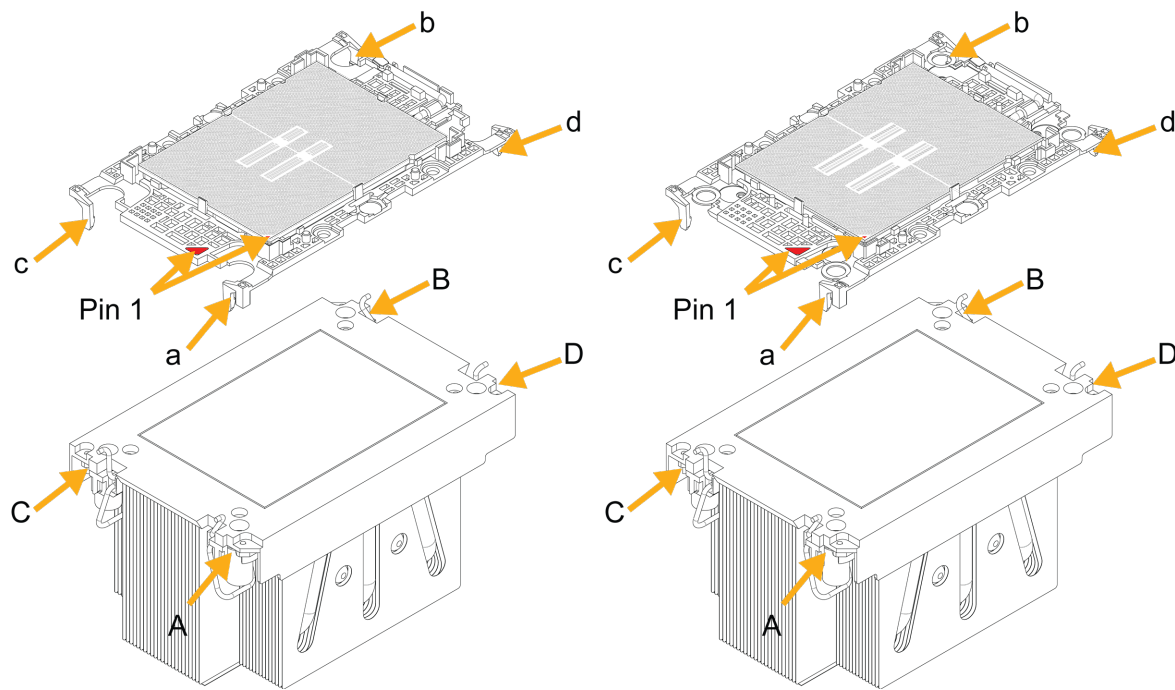


Figure 2-25. Carrier with 2U Heatsink (SP XCC left, SP HCC/LCC right)

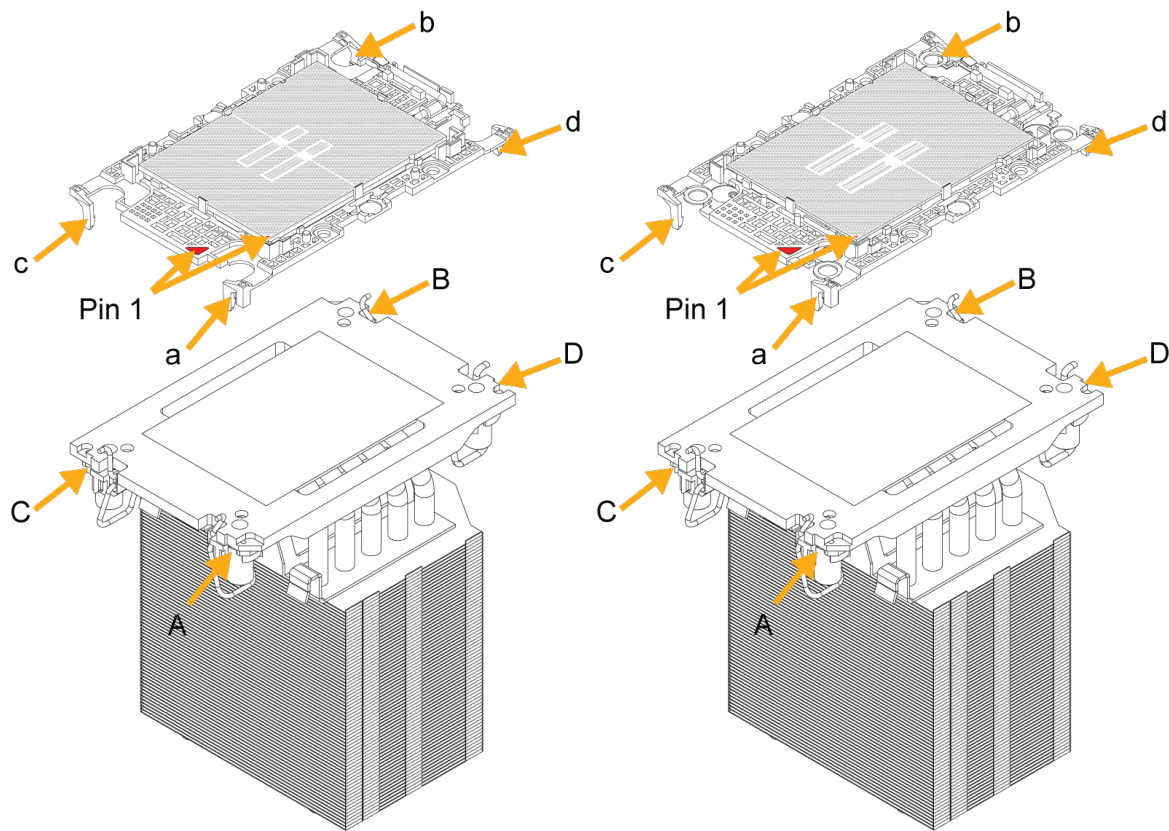


Figure 2-26. Carrier with 4U Heatsink (SP XCC left, SP HCC/LCC right)

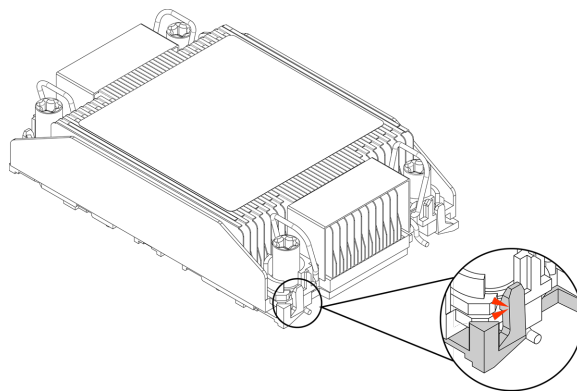


Figure 2-27. PHM Plastic Clips Locked(1U)

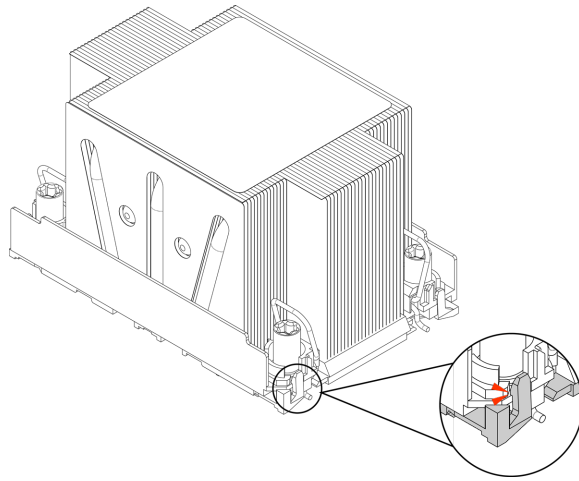


Figure 2-28. PHM Plastic Clips Locked (2U)

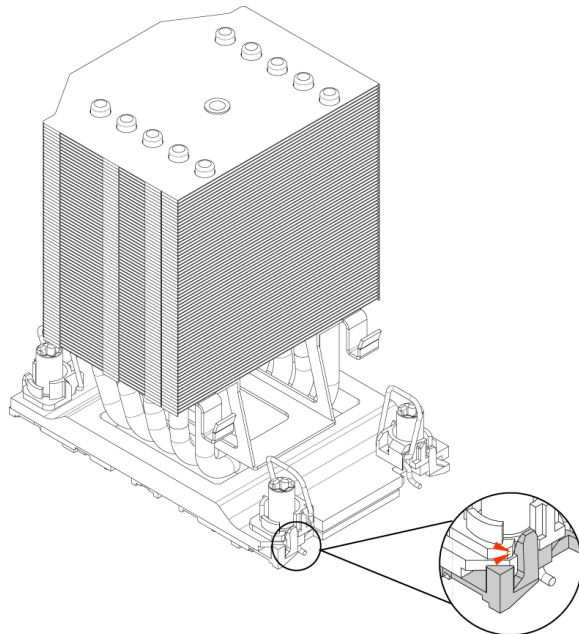


Figure 2-29. PHM Plastic Clips Locked (4U)

6. Examine all corners to ensure that the plastic clips on the processor carrier are firmly attached to the heatsink.

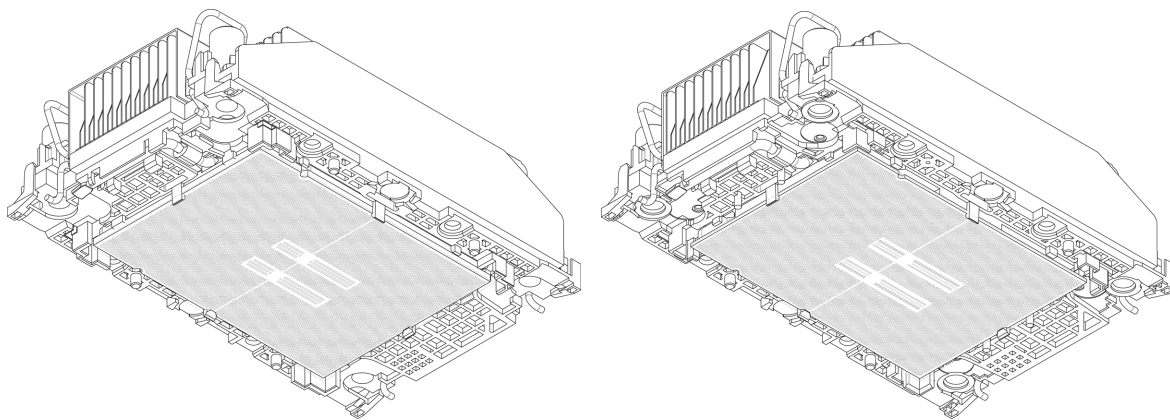


Figure 2-30. 1U PHM Completed (SP XCC left, SP HCC/LCC right)

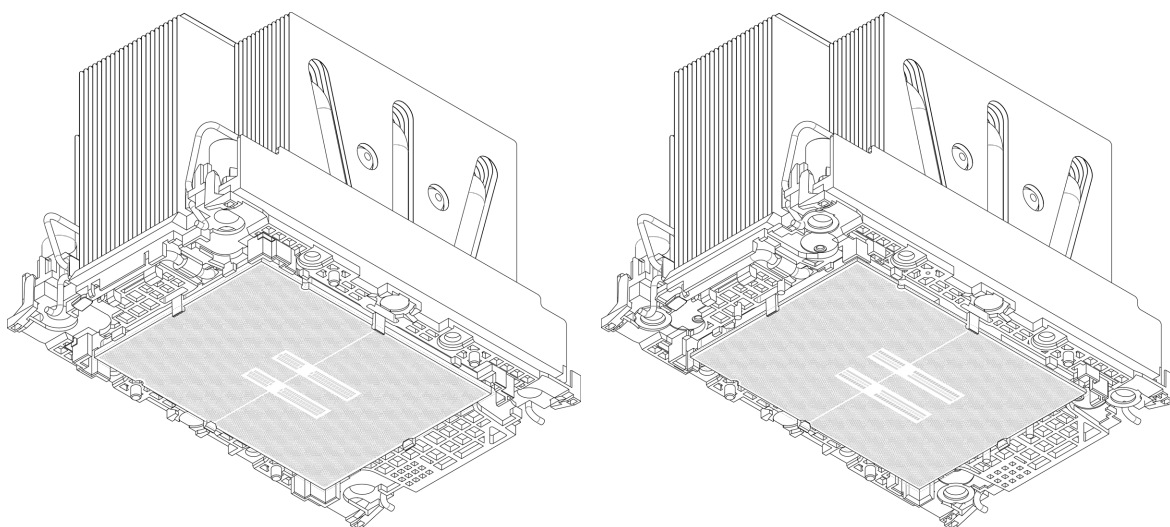


Figure 2-31. 2U PHM Completed (SP XCC left, SP HCC/LCC right)

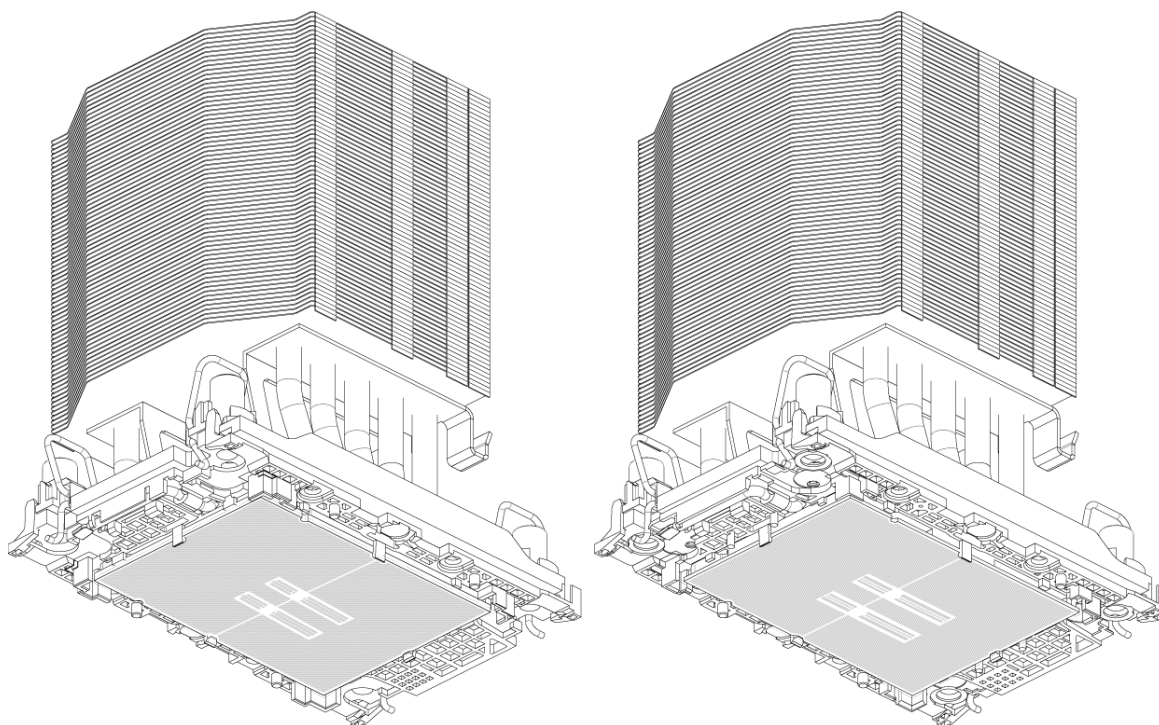


Figure 2-32. 4U PHM Completed (SP XCC left, SP HCC/LCC right)

Preparing the Processor Socket for Installation

This motherboard comes with a plastic protective cover installed on the processor socket. Remove it from the socket to install the Processor Heatsink Module (PHM). Gently pull up one corner of the plastic protective cover to remove it.

1. Press the tabs inward.

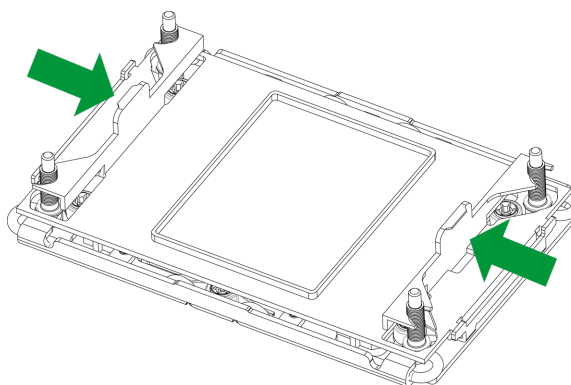


Figure 2-33. Processor Socket with Plastic Protective Cover

2. Pull up the protective cover from the socket.

Note: Do not touch or bend the socket pins.

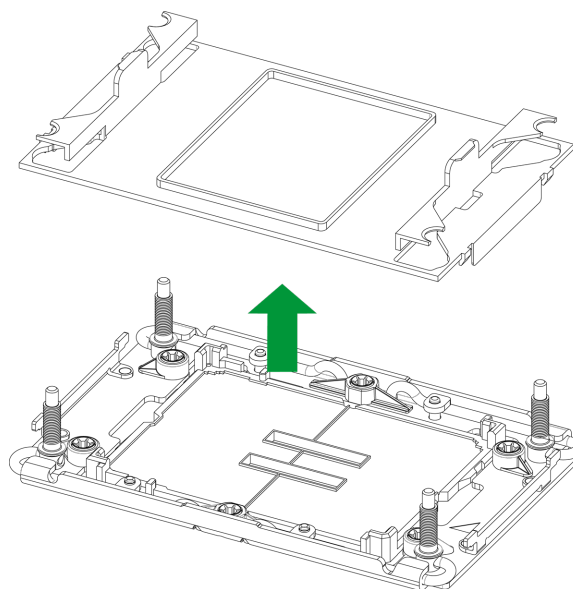
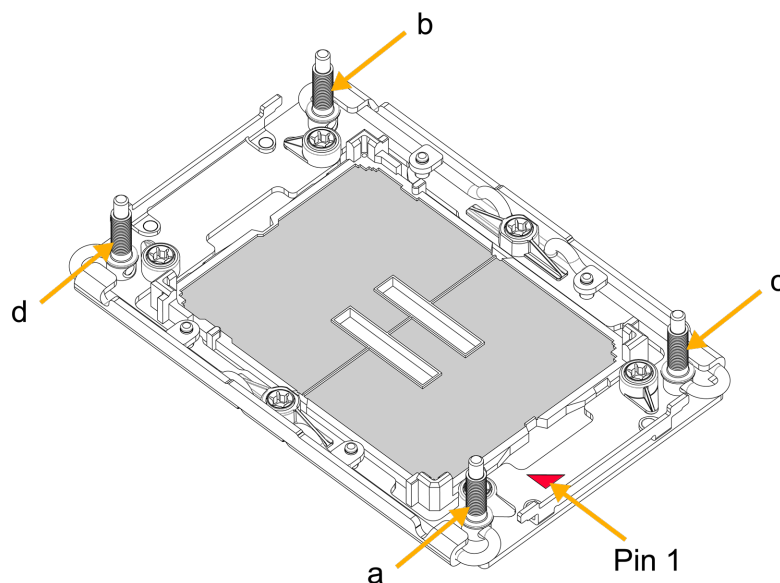


Figure 2-34. Plastic Protective Cover Removed

Preparing to Install the PHM into the Processor Socket

After assembling the Processor Heatsink Module (PHM), you are ready to install it into the processor socket. To ensure the proper installation, follow the procedures below:

1. Locate four threaded fasteners (marked a, b, c, and d) on the processor socket.



a, b, c, d: Threaded Fasteners

Figure 2-35. Threaded Fasteners

2. Locate four PEEK nuts (marked A, B, C, and D) and four rotating wires (marked 1, 2, 3, and 4) on the heatsink.

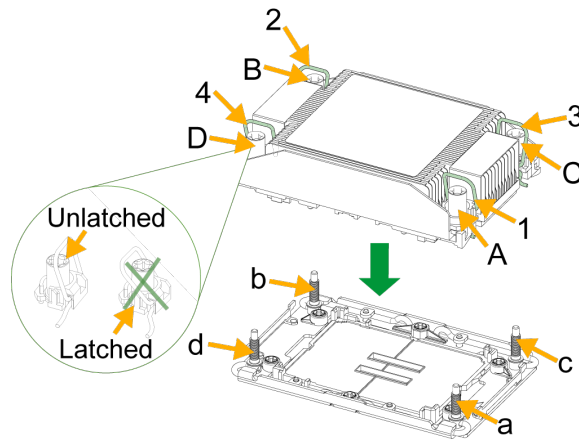


Figure 2-36. PEEK Nuts and Rotating Wires (1U)

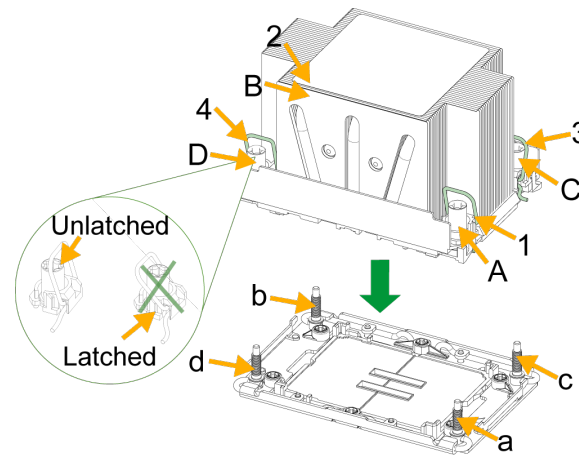


Figure 2-37. PEEK Nuts and Rotating Wires (2U)

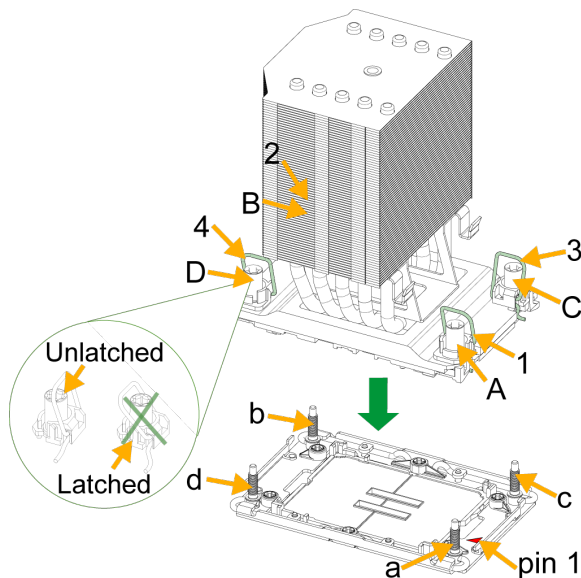


Figure 2-38. PEEK Nuts and Rotating Wires (4U)

3. Check the rotating wires (marked 1, 2, 3, and 4) to make sure that they are at unlatched positions before installing the PHM into the processor socket.

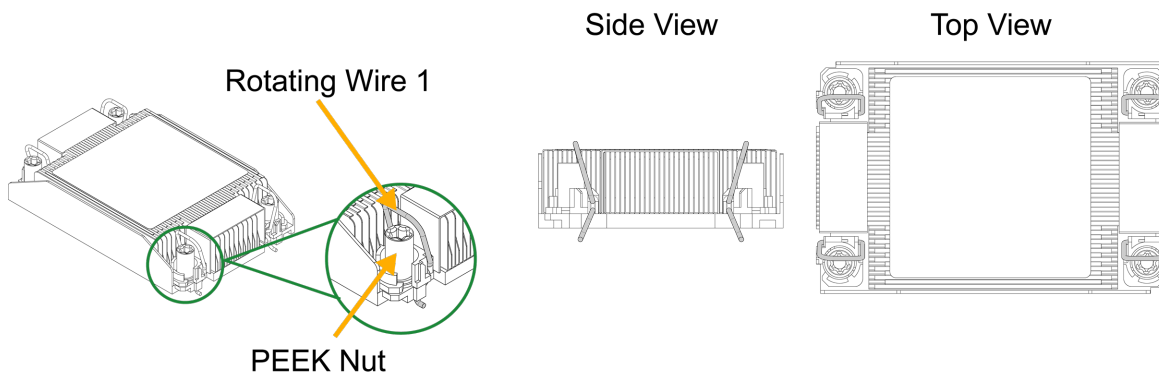


Figure 2-39. 1U Unlatched Positions

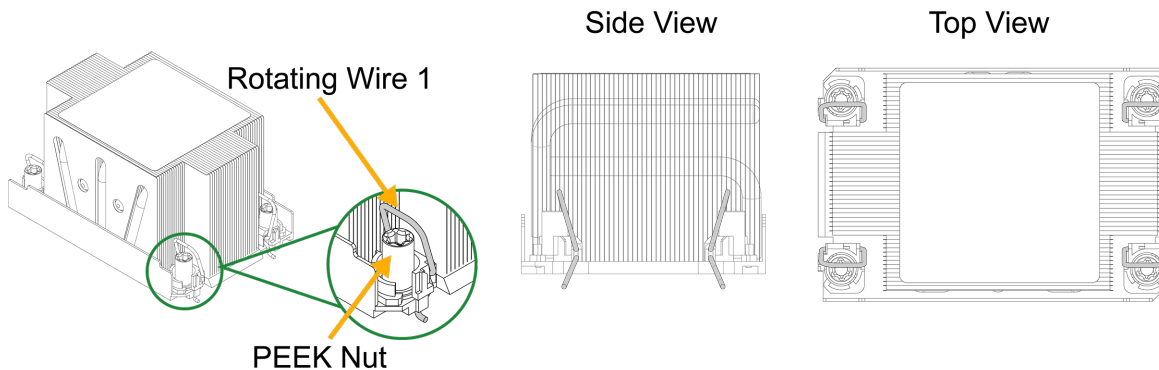


Figure 2-40. 2U Unlatched Positions

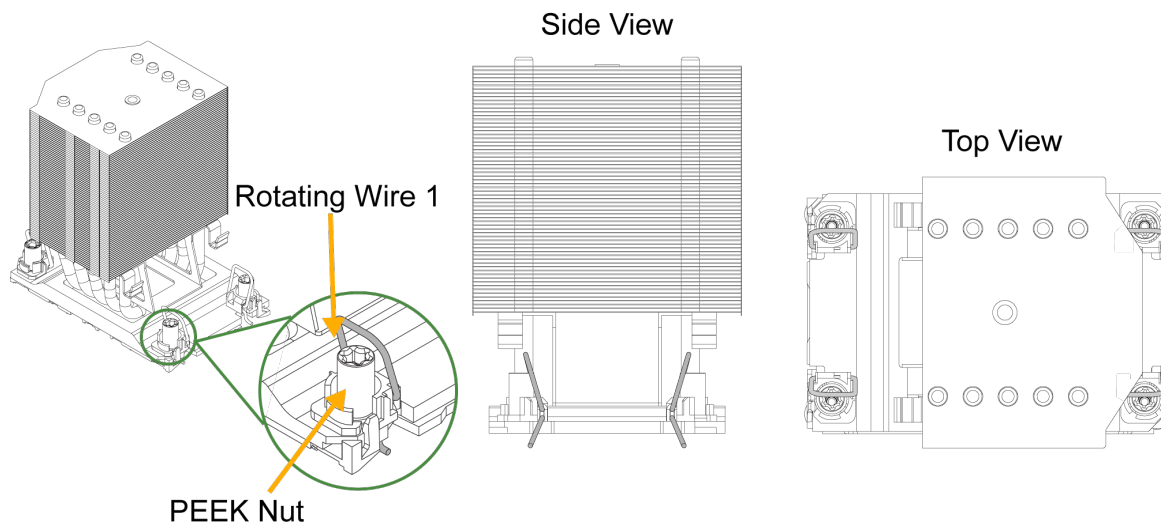
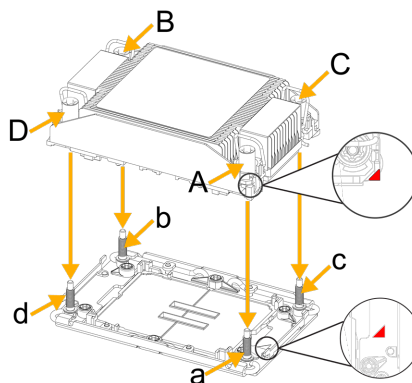


Figure 2-41. 4U Unlatched Positions

Installing the Processor Heatsink Module

1. Align pin 1 of the PHM with the printed triangle on the processor socket.
2. Make sure all four PEEK nuts of the heatsink (marked A, B, C, and D) are aligned with the threaded fasteners (marked a, b, c, and d), then gently place the heatsink on top of the processor socket.

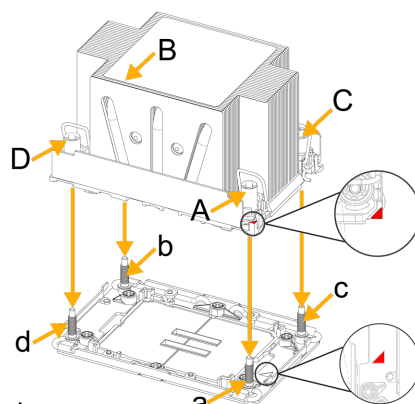
A, B, C, D:
PEEK Nut on the Heatsink



a, b, c, d:
Threaded Fastener on the processor socket

Figure 2-42. Aligning the Heatsink with the Socket (1U)

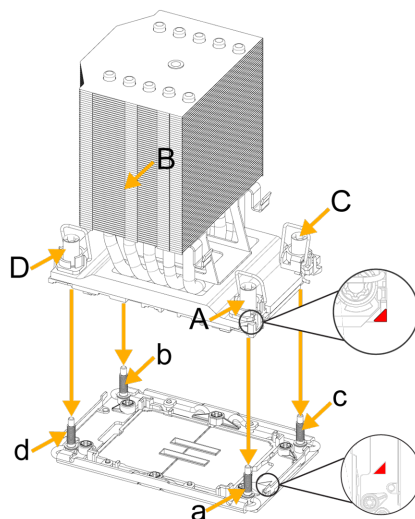
A, B, C, D:
PEEK Nut on the Heatsink



a, b, c, d:
Threaded Fastener on the processor socket

Figure 2-43. Aligning the Heatsink with the Socket (2U)

A, B, C, D:
PEEK Nut on the Heatsink



a, b, c, d:
Threaded Fastener on the processor socket

Figure 2-44. Aligning the Heatsink with the Socket (4U)

3. Press all four rotating wires outwards and make sure that the heatsink is securely latched into the processor socket.

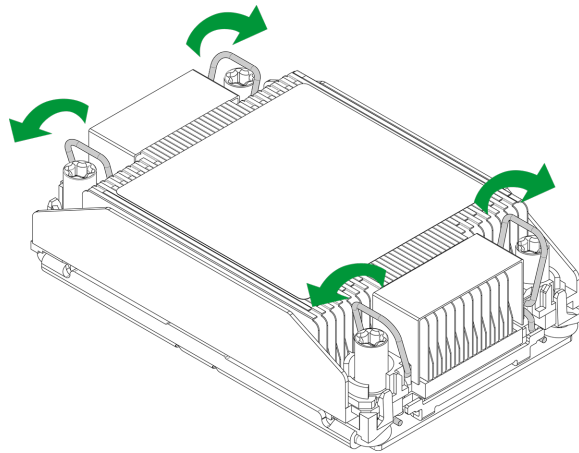


Figure 2-45. Latching the PHM (1U)

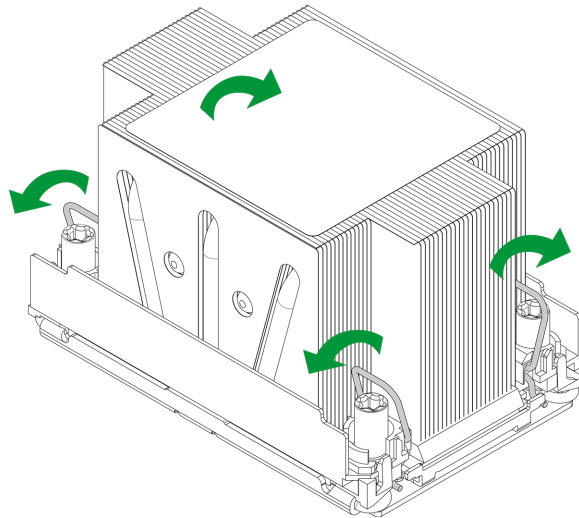


Figure 2-46. Latching the PHM (2U)

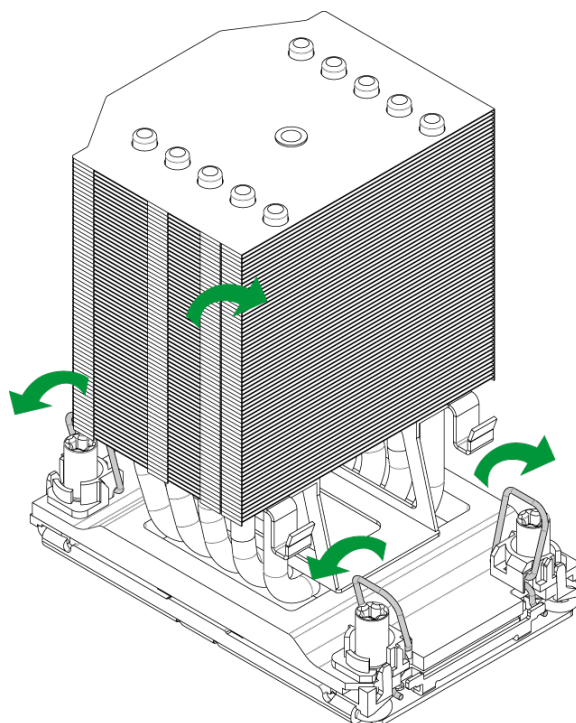


Figure 2-47. Latching the PHM (4U)

4. With a T30 bit torque driver set to a force of 8.0 lbf-in (0.904 N-m), gradually tighten the four screws to ensure even pressure. You can start with any screw, but make sure to tighten the screws in a diagonal pattern.

Important: Do not use a force greater than 8.0 lbf-in (0.904 N-m). Exceeding this force may over-torque the screw, causing damage to the processor, heatsink, and screw.

5. Examine all corners to ensure that the PHM is firmly attached to the socket.

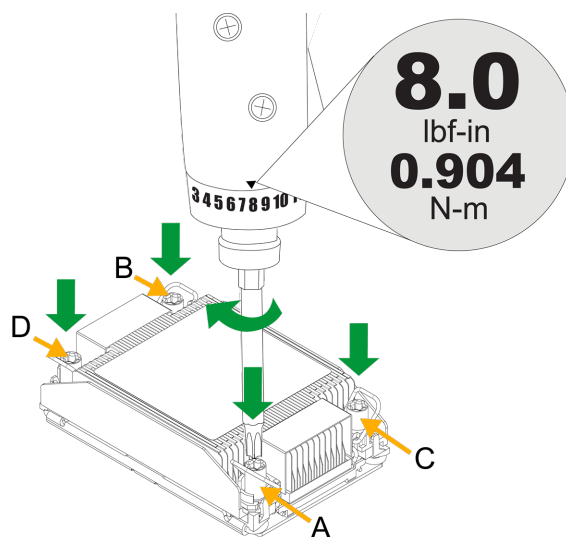


Figure 2-48. Installing the PHM with a Torque Driver (1U)

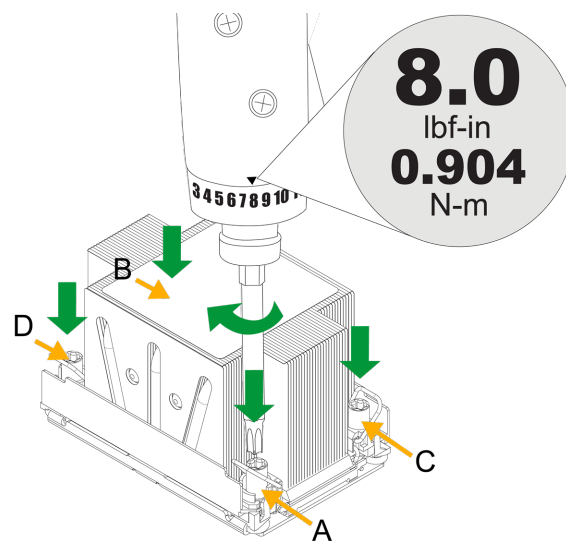


Figure 2-49. Installing the PHM with a Torque Driver (2U)

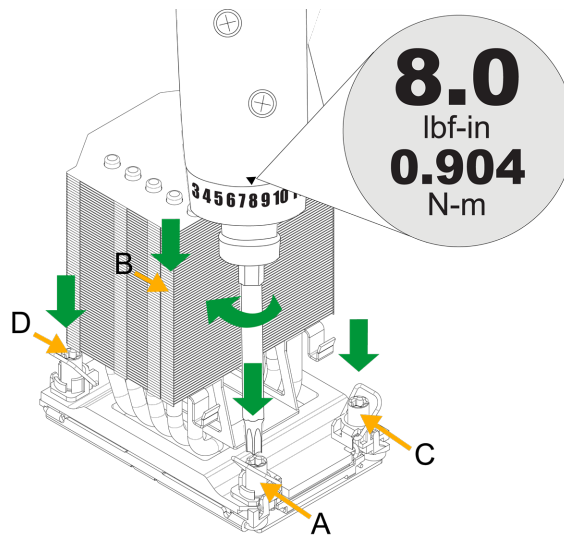


Figure 2-50. Installing the PHM with a Torque Driver (4U)

6. Align the aluminum fan shroud against the top of the 4U heatsink. The fan shroud was designed to match perfectly with the top of the heatsink in terms of geometric shape.

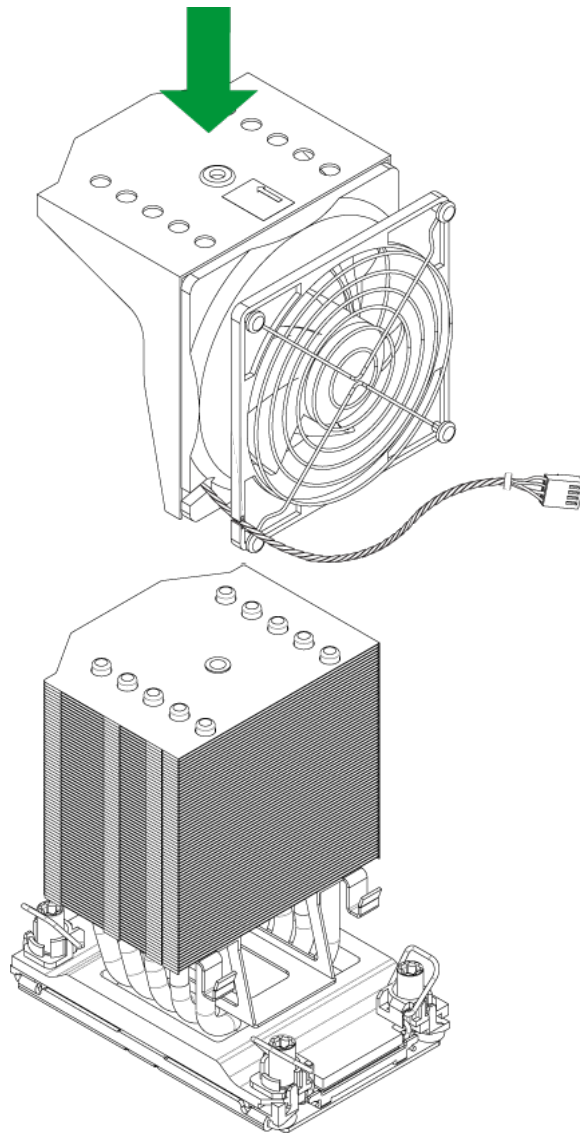


Figure 2-51. Aligning the Heatsink Fan

7. When the fan shroud and the top of the heatsink are properly aligned, gently push the fan onto the heatsink until the bottom of the fan properly rests on the two hooks of the heatsink.

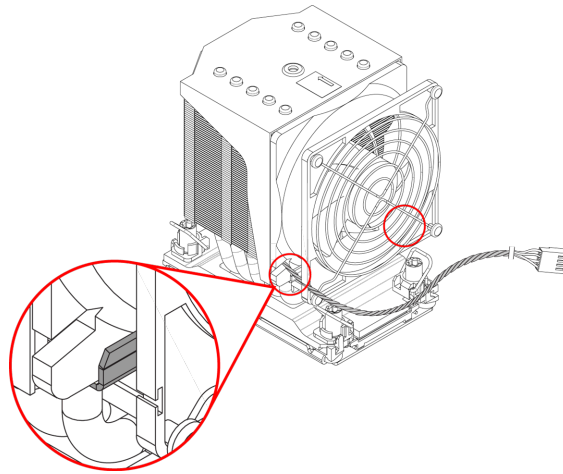


Figure 2-52. Installing the Heatsink Fan

8. Insert the Torx screw into the screw hole on top of the heatsink and turn it clockwise to tighten the screw.

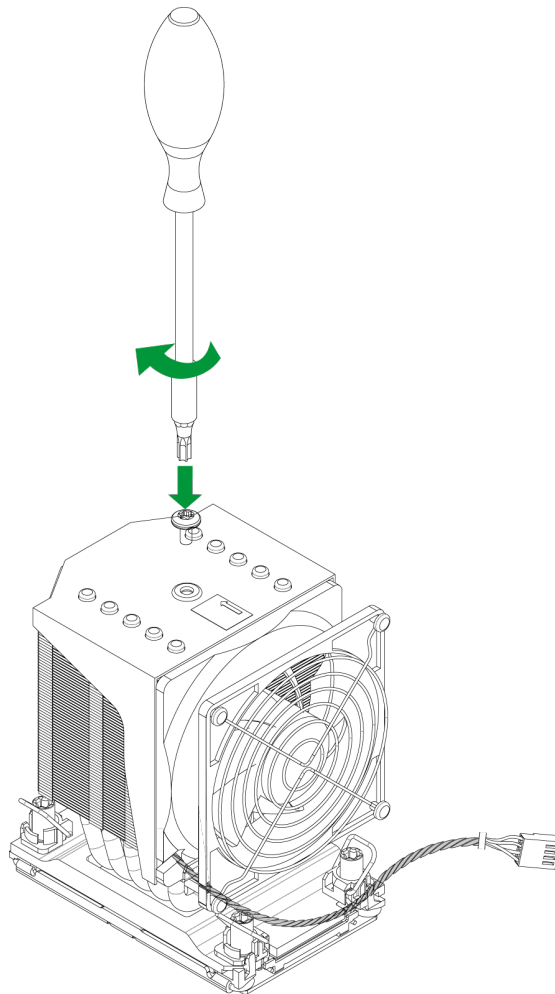


Figure 2-53. Tightening the Screw

9. Connect the fan power connector to a 4-pin fan header on the motherboard.

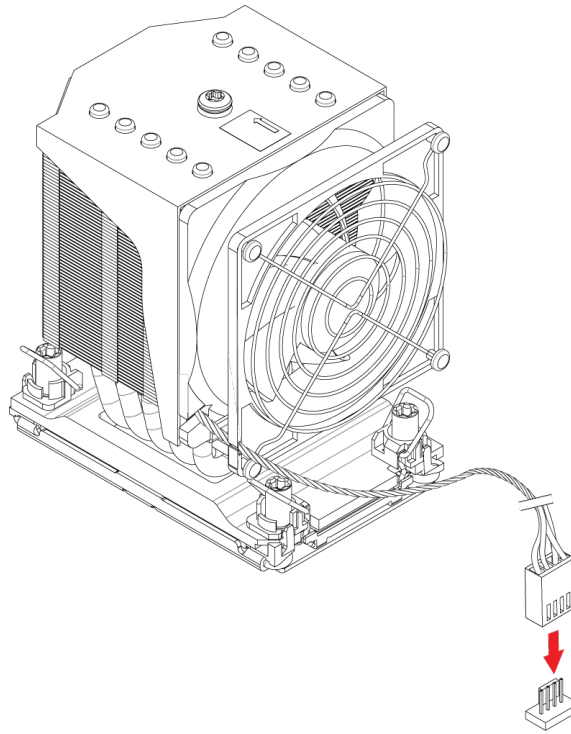


Figure 2-54. Connecting the Fan Power

Removing the Processor Heatsink Module

Before removing the processor heatsink module (PHM) from the motherboard, shut down the system and then unplug the AC power cord from all power supplies.

Then follow the steps below:

1. Loosen the Torx screw from the heatsink. Unplug the fan power connector from the fan header.

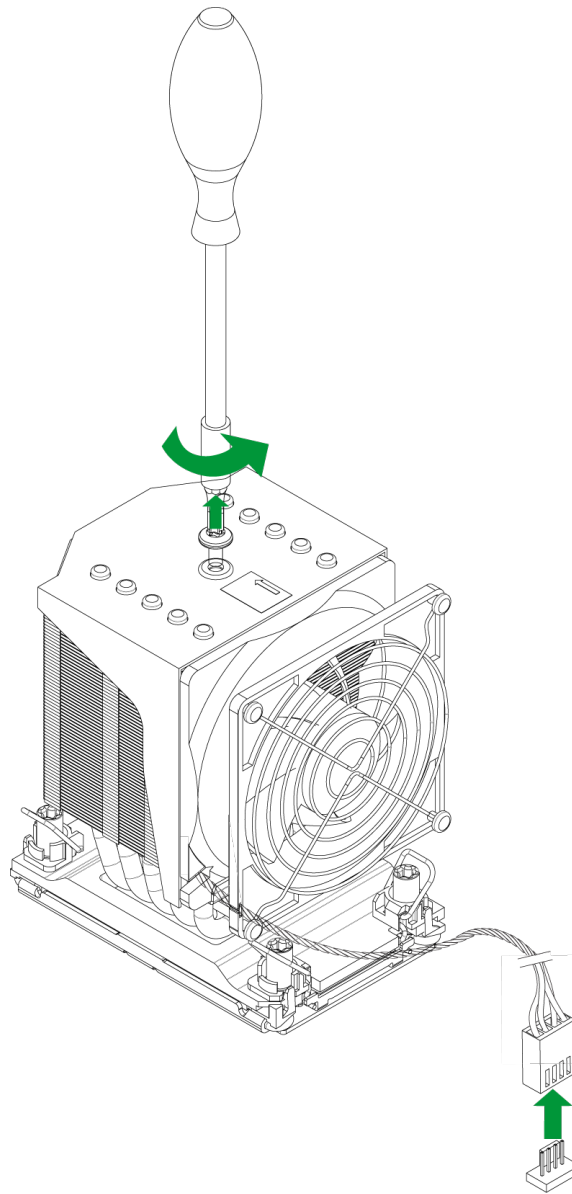


Figure 2-55. Loosening the Screw and Unplugging the Fan Power Header

2. Gently pull the heatsink fan upward to detach it from the heatsink.

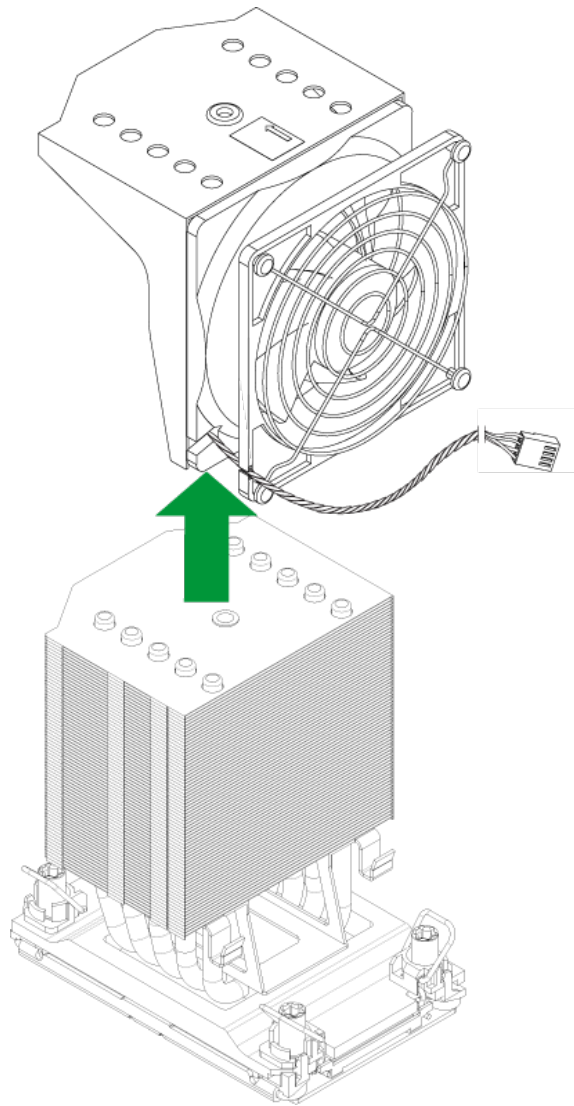


Figure 2-56. Removing the Fan

3. Use a screwdriver to loosen the four screws. You can start with any screw, but make sure to loosen the screws in a diagonal pattern.

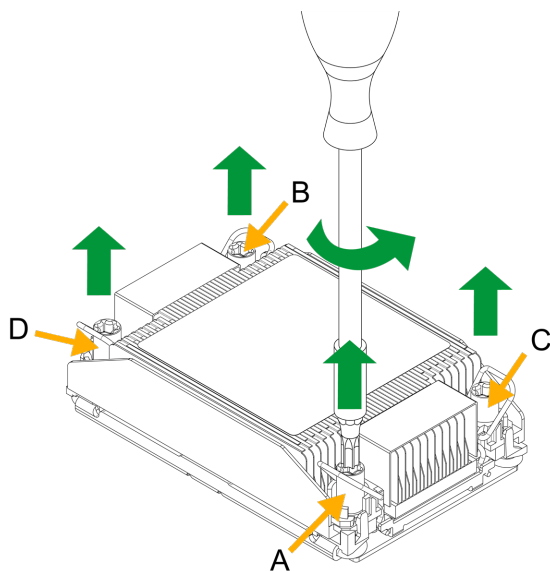


Figure 2-57. Loosening the Screws (1U)

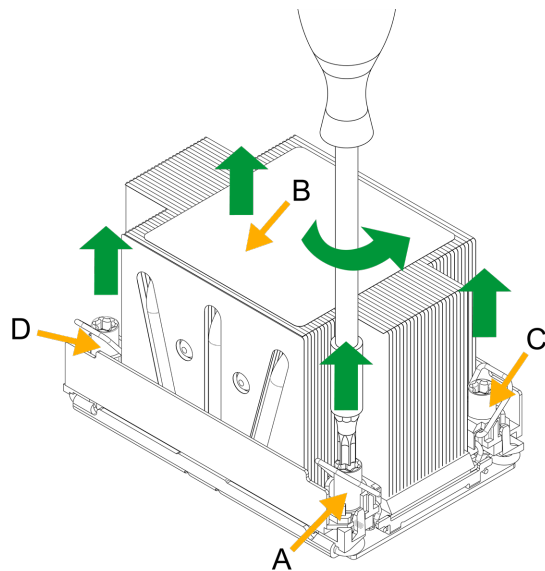


Figure 2-58. Loosening the Screws (2U)

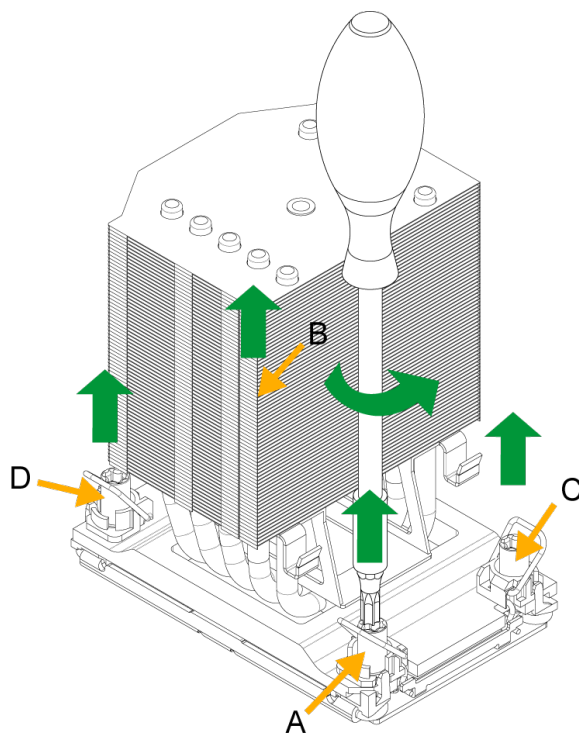


Figure 2-59. Loosening the Screws (4U)

4. Press the four rotating wires inwards to unlatch the PHM from the socket.

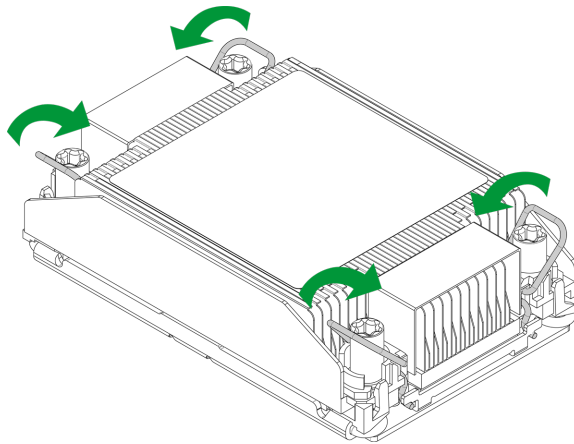


Figure 2-60. Unlatching the PHM (1U)

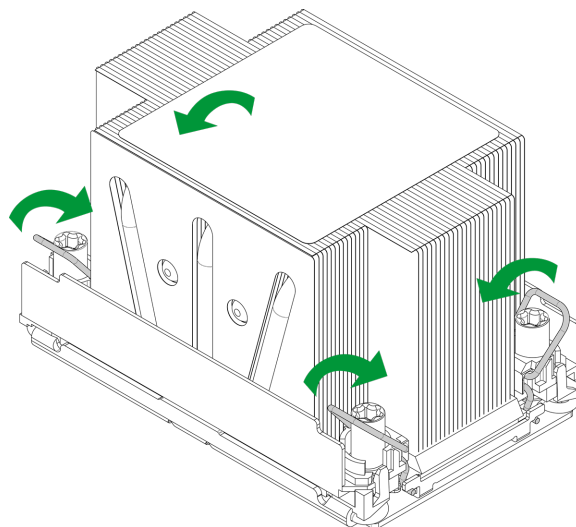


Figure 2-61. Unlatching the PHM (2U)

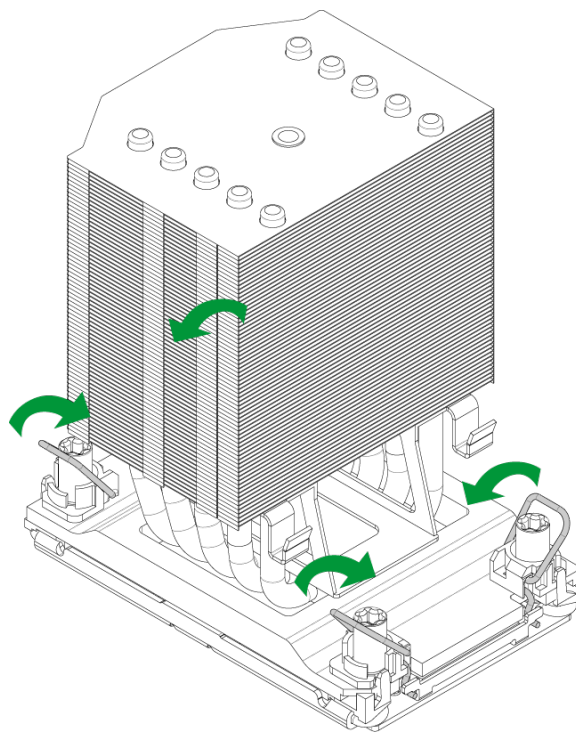


Figure 2-62. Unlatching the PHM (4U)

5. Gently lift the PHM upwards to remove it from the socket.

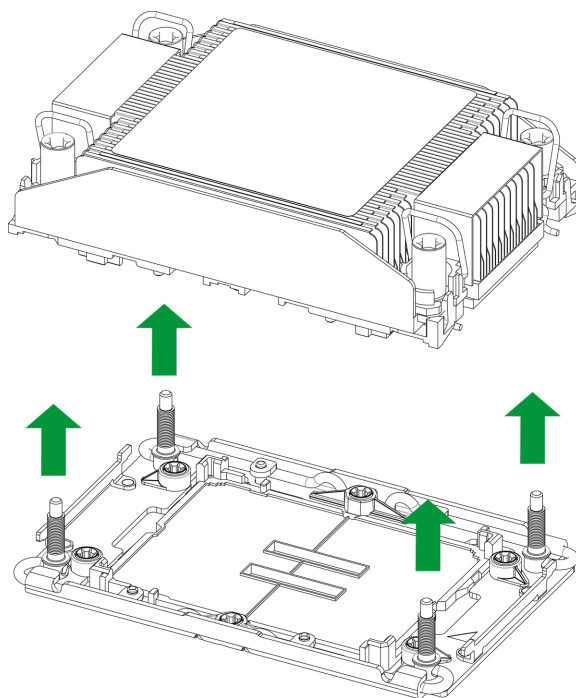


Figure 2-63. Removing the PHM from the Socket (1U)

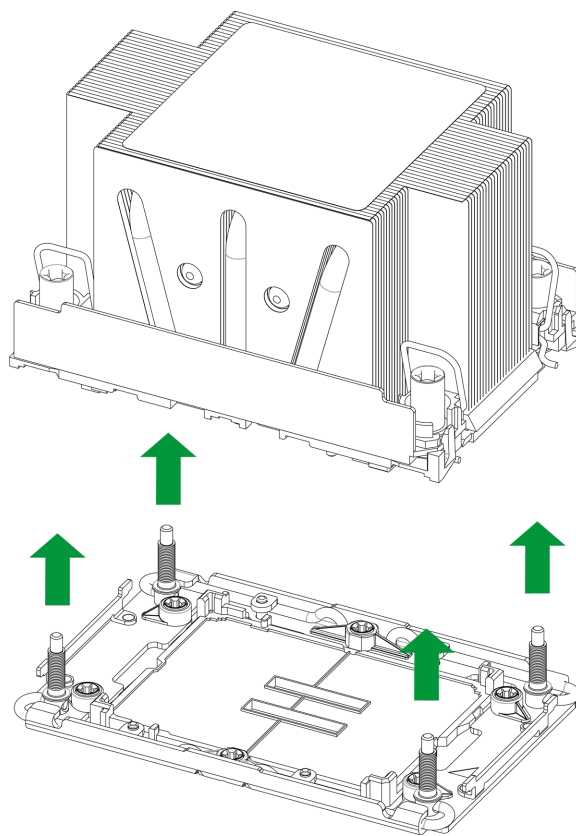


Figure 2-64. Removing the PHM from the Socket (2U)

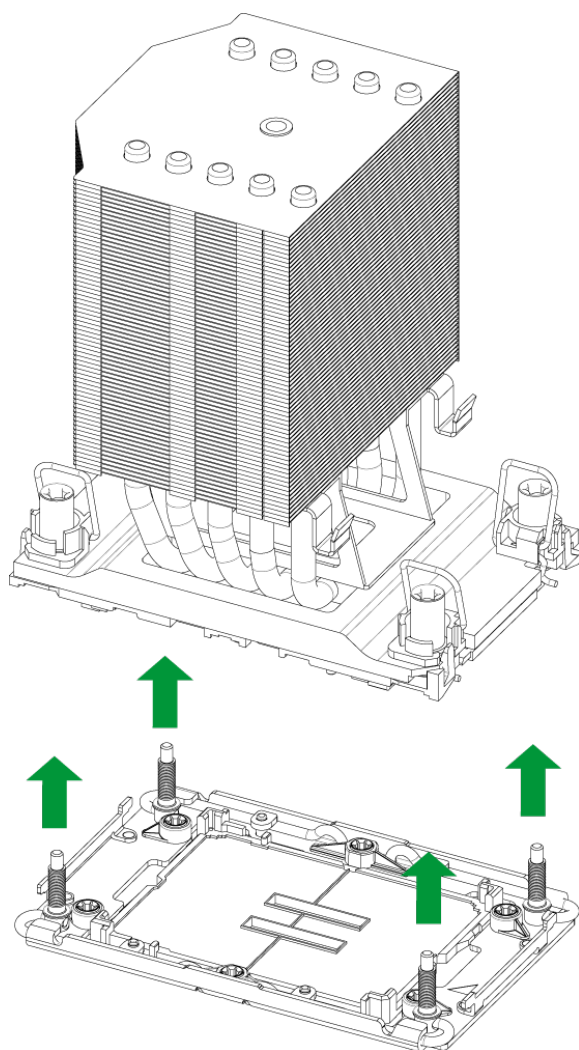


Figure 2-65. Removing the PHM from the Socket (4U)

6. To remove the processor from the heatsink, gently lift the lever from the processor carrier.

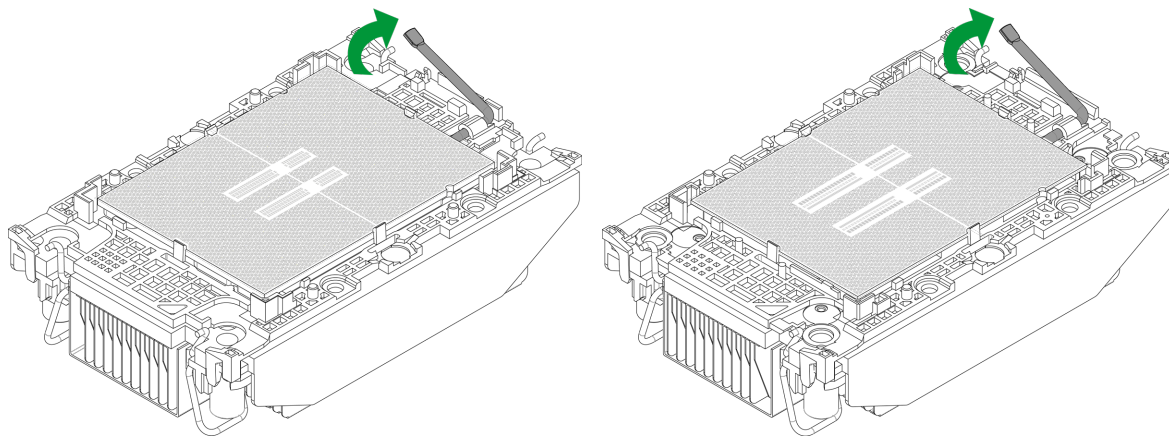


Figure 2-66. Carrier with 1U Heatsink (SP XCC left, SP HCC/LCC right)

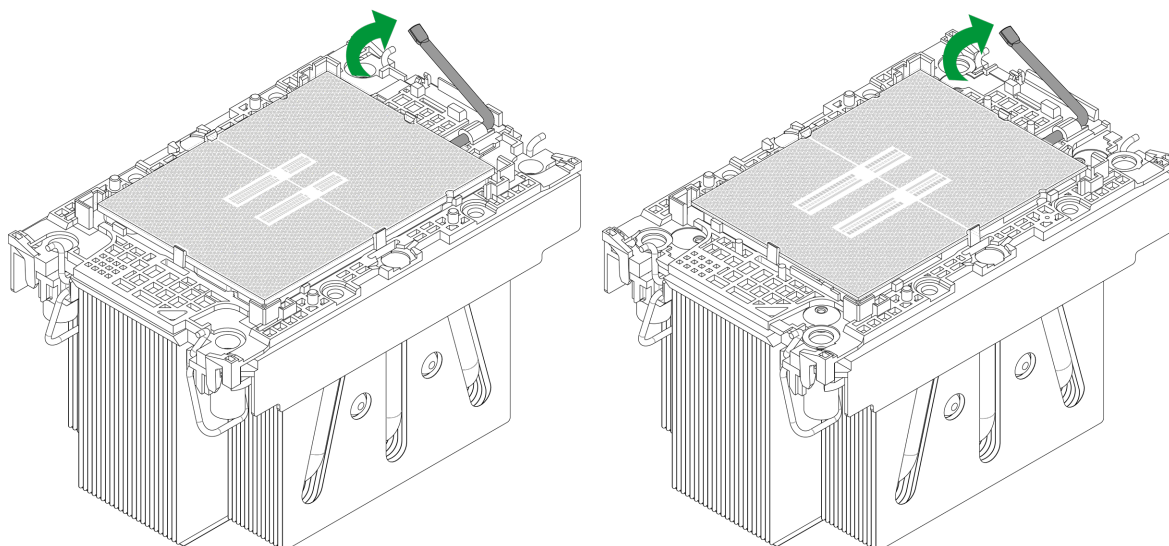


Figure 2-67. Carrier with 2U Heatsink (SP XCC left, SP HCC/LCC right)

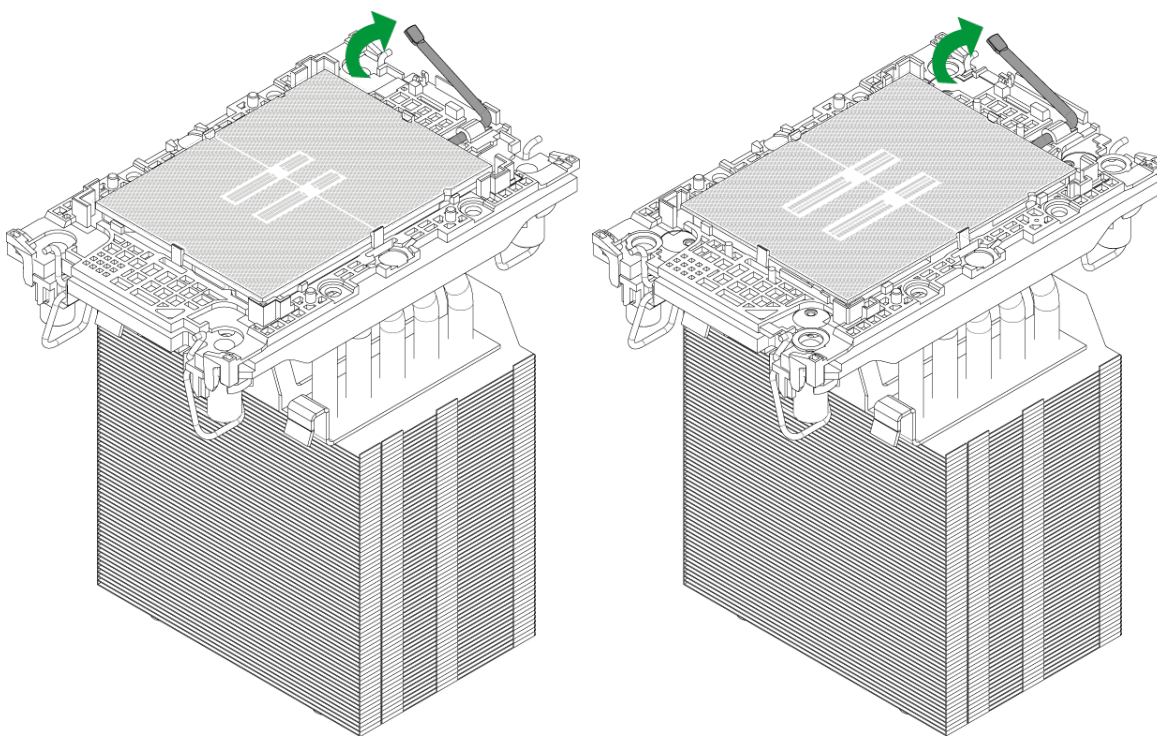


Figure 2-68. Carrier with 4U Heatsink (SP XCC left, SP HCC/LCC right)

7. To remove the processor, move the lever to its unlocked position and gently remove the processor.

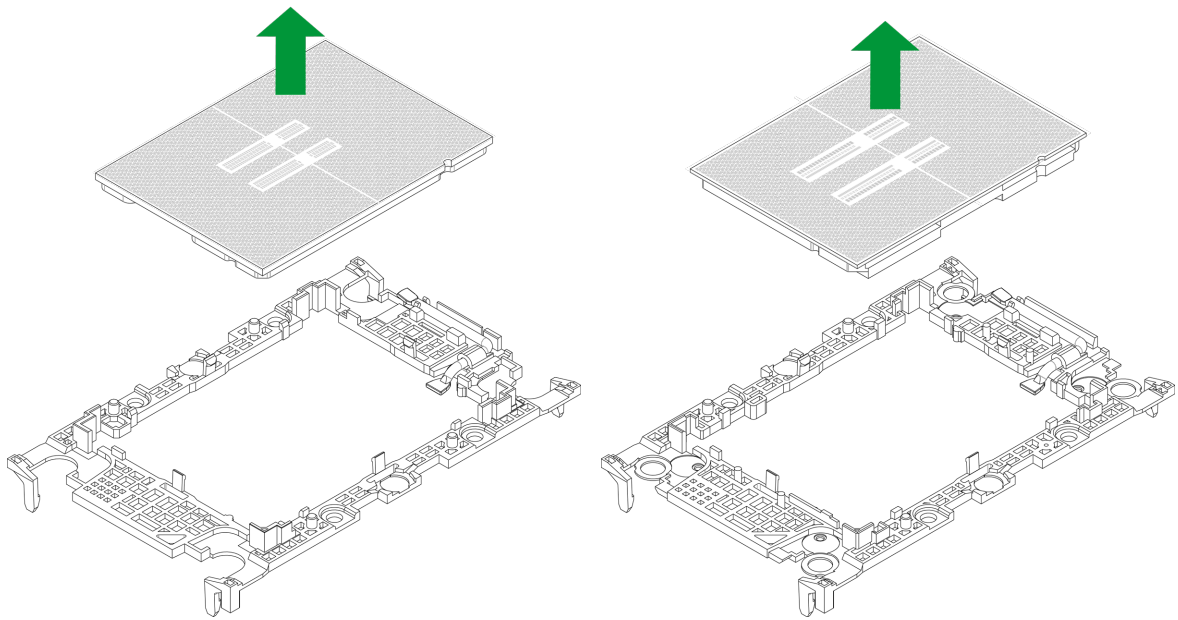


Figure 2-69. Removing the Processor (SP XCC left, SP HCC/LCC right)

2.4 Memory Support and Installation

Important: To prevent any damage, exercise extreme care when installing or removing memory modules.

Note: Check the Supermicro website for recommended memory modules.

Memory Support

The X14SBI-F/-TF motherboard supports up to 2 TB of 3DS RDIMM/MRDIMM DDR5 ECC memory with speeds of up to 8000 MT/s in eight memory slots.

Note: Intel® Xeon® 6700/6500-series processors with P-cores are required to support MRDIMM.

DDR5-6400 Memory Support for Intel® Xeon® 6700/6500-Series Processors with P-Cores					
Type	Ranks Per DIMM, Data Width (Stack)	DIMM Capacity (GB)			Speed (MT/s); Voltage (V); Slots per Channel (SPC) and DIMMs per Channel (DPC)
		DRAM Density			
		16 Gb	24 Gb	32 Gb	1DPC/2SPC
		1DPC	1DPC	1DPC	+1.1 V
RDIMM	1Rx8	16 GB	24 GB	-	6400, 6000, 5600, 5200, 4800 (DDR5-6400 rated RDIMMs only)
	1Rx4	32 GB	48 GB	-	
	2Rx8	32 GB	48 GB	-	
	2Rx4	64 GB	96 GB	128 GB*	
3DS RDIMM	4Rx4	-	-	-	
	8Rx4	-	-	256 GB [^]	
MRDIMM	2Rx8	32 GB	-	-	8000, 7200 (MRDIMM-8800 only)
	2Rx4	64 GB	-	-	

Notes:

- The items marked with an asterisk (*) are supported in 1S/2S/4S systems. The items with circumflex (^) are supported in 8S systems. All others support 1S/2S only.

CXL Memory Configuration Support for Intel® Xeon® 6700/6500-Series Processors with P-Cores									
Native DDR5 Memory Per Socket				CXL Memory Per Socket					
Slot 0 DIMM Ranks	Slot 0 DIMM Capacity (GB)	DIMM Type	DRAM Density (Gb)	CXL Memory Channels	CXL Memory Type	CXL Capacity Per Device/Module	CXL Interleave	CXL Mode	4S and 8S support
2Rx4	96	10x4	24	2+2	DDR5 x8	96 GB	1x4*, 2x2, 4x1	1LM+Vol	Yes
2Rx4	128	10x4	32	2+2	DDR4 x8, DDR x8	128 GB	1x4*, 2x2, 4x1	1LM+Vol	Yes
2Rx4	128	10x4	32	2+2	DDR5 x8	128 GB	hetero x12	Hetero	Yes
2Rx4	64	10x4	16	2+2+2	DDR5 x8	128 GB	1x6*, 2x3, 3x2	1LM+Vol	No
2Rx4	64	10x4	16	2	DDR5 x8	128 GB	1x2*	1LM+Vol	No
2Rx4	64	10x4	16	1+1	DDR5 x16	2ch 128 GB	1x2*	Intel Flat Memory Mode	Yes

Notes:

- The items with an asterisk (*) are the default settings in the BIOS.
- The Intel® Xeon® 6700/6500-series processors with P-cores CXL memory configurations are 1DPC ('Slot 0') only for native DDR5.
- CXL Memory Channel: number of devices per root port, with root ports separated by "+". e.g. 2+2+2+2 = four root ports populated with two devices per root port.
- CXL Interleave: sets x ways, e.g. 2x4 = One set of two modules, interleaved four-way
- CXL Modes:
 - 1LM+Vol= Native DDR5 ('1LM') and (volatile) CXL memory visible to SW as separate tiers, separately interleaved.
 - Hetero x12 = DDR5 and (volatile) CXL memory interleaved together in one 12-way set.
 - Flat Memory Mode = HW manages data movement between DDR5 and CXL memory, total capacity visible to SW

Intel® Xeon® 6700/6500-Series Processors with P-Cores DDR5 Memory Population Table	
(1 Processor and 8 DIMMs Installed, 1DPC)	
<i>DIMM Counts</i>	<i>Memory Population Sequence (1DPC)</i>
1 Processor and 1 DIMM (Recommended)	DIMMA1
1 Processor and 4 DIMMs (Recommended)	DIMMA1/DIMMC1/DIMME1/DIMMG1 DIMMB1/DIMMD1/DIMMF1/DIMMH1
1 Processor and 8 DIMMs (Recommended)	DIMMA1/DIMMB1/DIMMC1/DIMMD1/DIMME1/DIMMF1/DIMMG1/DIMMH1

DDR5-6400 Memory Support for Intel® Xeon® 6700-Series Processors with E-Cores

(Only DDR5-6400 Related RDIMMs Supported)

Type	Ranks Per DIMM, Data Width (Stack)	DIMM Capacity (GB)			Speed (MT/s); Voltage (V); Slots per Channel (SPC) and DIMMs per Channel (DPC)
		DRAM Density			
		16 Gb	24 Gb	32 Gb	1DPC/2SPC
		1DPC	1DPC	1DPC	+1.1 V
RDIMM	1Rx4	32 GB	-	-	6400, 6000, 5600, 5200, 4800 (DDR5-6400 rated RDIMMs only)
	2Rx8	32 GB	-	-	
	2Rx4	64 GB	96 GB	-	
	2Rx4	-	-	128 GB	
3DS RDIMM	4Rx4	-	-	256 GB	

CXL Memory Configuration Support for Intel® Xeon® 6700-Series Processors with E-Cores

Native DDR5 Memory Per Socket				CXL Memory Per Socket				
Slot 0 DIMM Ranks	Slot 0 DIMM Capacity (GB)	DIMM Type	DRAM Density (Gb)	CXL Memory Channels	CXL Memory Type	CXL Capacity Per Device/ Module	CXL Interleave	CXL Mode
2Rx4	64	10x4	16	2+2	DDR5 x8	64 GB	1x4*, 2x2, 4x1	1LM+Vol
2Rx4	64	10x4	16	1+1	DDR5 x16	128 GB	1x2*, 2x1	1LM+Vol
1Rx4	32	10x4	16	2	DDR5 x8	128 GB	1x2*	Intel Flat Memory Mode

Notes:

- The items with an asterisk (*) are the default settings in the BIOS.
- The Intel® Xeon® 6700-series processors with E-cores CXL memory configurations are 1DPC ('Slot 0') only for native DDR5.
- CXL Memory Channel: number of devices per root port, with root ports separated by "+," e.g. 2+2+2+2 = four root ports populated with two devices per root port.
- CXL Interleave: sets x ways, e.g. 2x4 = One set of two modules, interleaved four-way.
- CXL Modes:
 - 1LM + Vol = DDR5 ('1LM') and (volatile) CXL memory visible to SW as separate tiers, separately interleaved.
 - Flat Memory Mode = HW manages data movement between DDR5 and CXL memory, total capacity visible to SW.

Intel® Xeon® 6700-Series Processors with E-Cores DDR5 Memory Population Table	
(1 Processor and 8 DIMMs Installed, 1DPC)	
<i>DIMM Counts</i>	<i>Memory Population Sequence (1DPC)</i>
1 Processor and 1 DIMM (Recommended)	DIMMA1
1 Processor and 4 DIMMs	DIMMA1/DIMMC1/DIMME1/DIMMG1 DIMMB1/DIMMD1/DIMMH1/DIMMF1
1 Processor and 8 DIMMs (Recommended)	DIMMA1/DIMMB1/DIMMC1/DIMMD1/DIMME1/DIMMF1/DIMMG1/DIMMH1

General Guidelines for Optimizing Memory Performance

- Using DDR5 memories with the same type, size, speed, ranking, and density is a mandatory requirement.
- First, confirm whether the installed CPU supports P-cores or E-cores, then refer to the corresponding memory population table and install the memory correctly.

- The motherboard will support an odd number amount of memory modules. However, to achieve the best memory performance, a balanced memory population is recommended.

DIMM Installation

Important: To avoid causing any damage to the memory module or the DIMM socket, do not use excessive force when pressing the release tabs on the ends of the DIMM socket. Handle memory modules with care. To avoid ESD-related damage to your memory modules or components, carefully follow all the instructions given in "[Static-Sensitive Devices](#)" on [page 28](#).

1. Insert the desired number of DIMMs into the memory slots based on the recommended DIMM population table earlier in this section.
2. Push the release tabs outwards on both ends of the DIMM slot to unlock it.

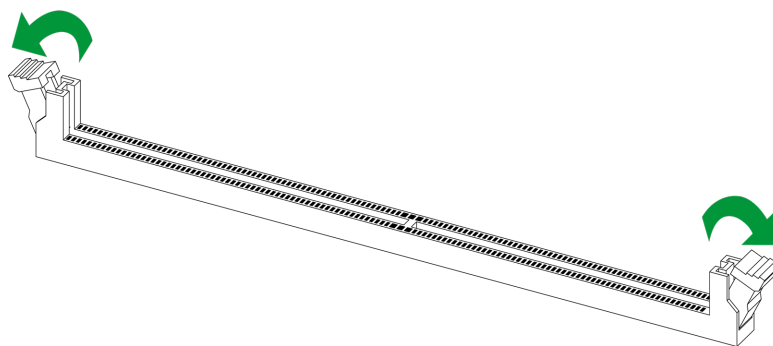


Figure 2-70. Unlocking the DIMM Slot

3. Align the key of the DIMM with the receptive point on the memory slot.

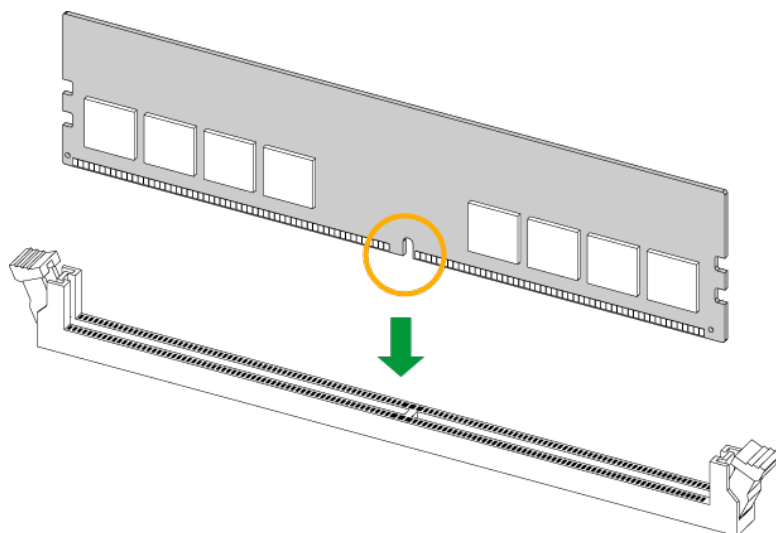


Figure 2-71. Aligning the DIMM Slot with the Receptive Point

4. Align the notches on both ends of the module against the receptive points on the ends of the slot.

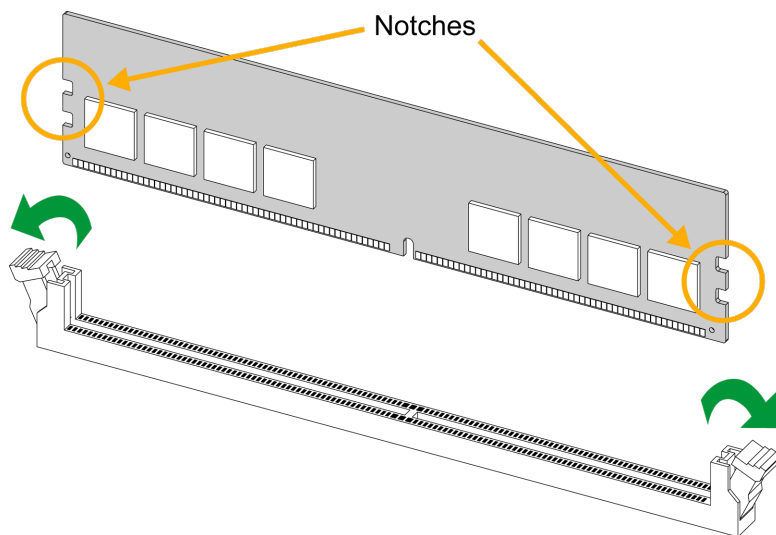


Figure 2-72. Aligning the Notches

5. Press both ends of the module straight down into the slot until the module snaps into place.
6. Press the release tabs to the lock positions to secure the DIMM into the slot.

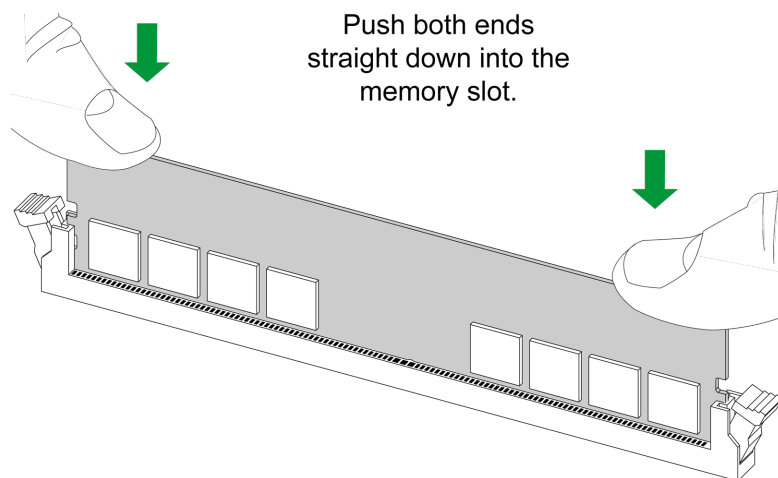


Figure 2-73. Securing the DIMM

For a detailed diagram of the X14SBI-F/-TF motherboard, see the layout under "[Quick Reference](#)" on page 12.

DIMM Removal

Important: To avoid causing any damage to the memory module or the DIMM socket, do not use excessive force when pressing the release tabs on the ends of the DIMM socket. Handle memory modules with care. To avoid ESD-related damage to your memory modules or components, carefully follow all the instructions given in "[Static-Sensitive Devices](#)" on page 28.

Press both release tabs on the ends of the DIMM socket to unlock it. Once the DIMM is loosened, remove it from the memory slot.

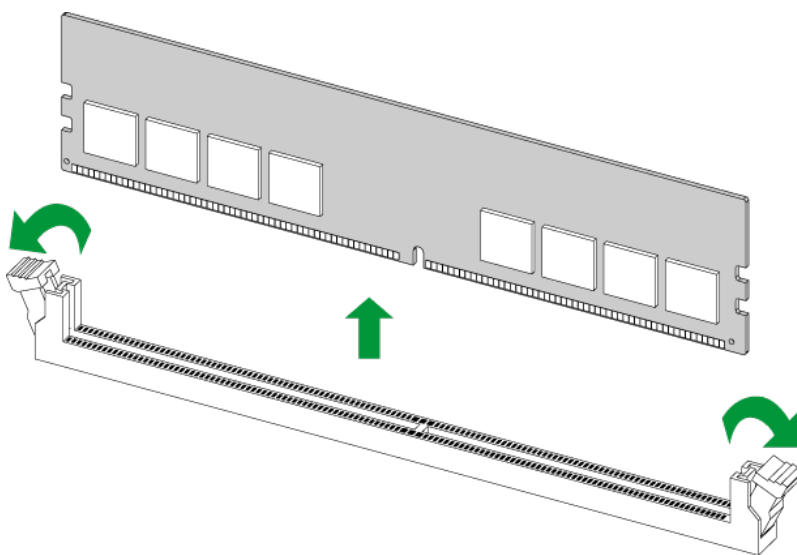


Figure 2-74. Unlocking the DIMM Slot

For a detailed diagram of the X14SBI-F/-TF motherboard, see the layout under ["Quick Reference"](#) on page 12.

2.5 Battery Removal and Installation

Battery Removal

To remove the onboard battery, follow the steps below:

1. Power off your system and unplug your power cable.
2. Place the system on a workbench.
3. Remove the top cover from the system.
4. Locate the onboard battery as shown below.
5. Using a tool such as a pen or a small screwdriver, push the battery lock outwards to unlock it. Once unlocked, the battery will pop out from the holder.
6. Remove the battery.

Proper Battery Disposal

Important: Handle used batteries carefully. Do not damage the battery in any way; a damaged battery may release hazardous materials into the environment. Do not discard a used battery in the garbage or a public landfill. Comply with the regulations set up by your local hazardous waste management agency to dispose of your used battery properly.

Battery Installation

To install an onboard battery, follow steps 1 and 2 above and continue below:

Important: When replacing a battery, be sure to only replace it with the same type.

1. Identify the battery's polarity. The positive (+) side should be facing up.
2. Insert the battery into the battery holder and push it down until you hear a click to ensure that the battery is securely locked.

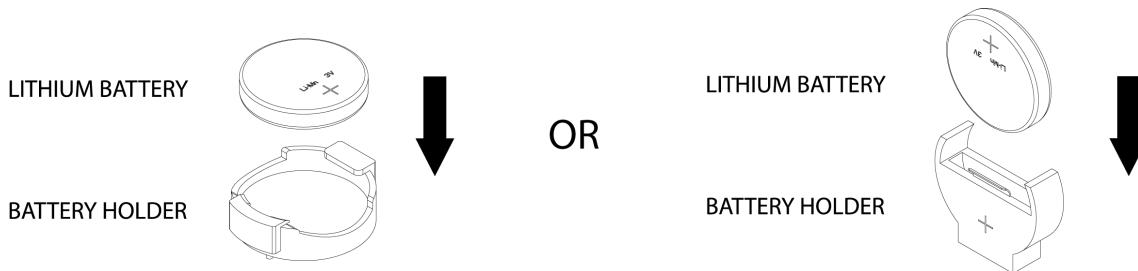


Figure 2-75. Installing a Battery

2.6 Connections, Jumpers, and LEDs

Refer to the following sections for information about connections, jumpers, and LEDs for the motherboard.

Power Supply and Power Connections

For information about the power supply and power connections of the motherboard, refer to the following content.

Power Supply

As with all computer products, a stable power source is necessary for proper and reliable operation. It is even more important for processors that have high CPU clock rates where noisy power transmission is present.

The X14SBI-F/-TF motherboard accommodates a 24-pin ATX power supply. Although most power supplies generally meet the specifications required by the CPU, some are inadequate. In addition, two 12 V 8-pin power connection is also required to ensure adequate power supply to the system.

Important: To avoid damaging the power supply or the motherboard, be sure to use a power supply that contains a 24-pin and an 8-pin power connector. Be sure to connect the power supplies to the 24-pin power connector (JPWR3), and the 8-pin power connectors (JPWR1 and JPWR2) on the motherboard. Failure in doing so may void the manufacturer warranty on your power supply and motherboard.

It is strongly recommended that you use a high quality power supply that meets ATX power supply Specification 2.02 or above.

Power Connectors

JPWR3 is the 24-pin power connector for ATX power source. JPWR1 (8-pin) and JPWR2 (8-pin) are the 12 V DC power connectors that provide power to the CPU in conjunction with JPWR3 or they can be used as the sole 12 V DC power inputs when JPWR3 is not in use.

ATX Power 24-pin Connection			
Pin Definitions: 24 Total			
Pin#	Definition	Pin#	Definition
13	+3.3 V	1	+3.3 V
14	No Connection	2	+3.3 V
15	GND	3	GND
16	PS_ON	4	+5 V
17	GND	5	GND
18	GND	6	+5 V
19	GND	7	GND
20	Res (No Connection)	8	PWR_OK
21	+5 V	9	+5 VSB
22	+5 V	10	+12 V
23	+5 V	11	+12 V
24	GND	12	+3.3 V

8-pin CPU Power	
Pin Definitions: Eight Total	
Pin#	Definition
1–4	GND
5–8	+12 V (12 V Power)

Headers and Connections

For information about the headers on the X14SBI-F/-TF motherboard, refer to the following content.

Chassis Intrusion

A Chassis Intrusion header is located at JL1 on the X14SBI-F/-TF motherboard. Attach the appropriate cable from the chassis to inform you when the chassis is opened.

For a detailed diagram of the X14SBI-F/-TF motherboard, see the layout under "[Quick Reference](#)" on page 12.

Chassis Intrusion	
Pin Definitions: Two Total	
Pin#	Definition
1	Intrusion Input
2	GND

COM Header

There is one COM header JCOM1 on the X14SBI-F/-TF motherboard. Use a cable to connect the COM header, which provides communication support.

For a detailed diagram of the X14SBI-F/-TF motherboard, see the layout under ["Quick Reference"](#) on page 12.

COM Header			
Pin Definitions: Nine Total			
Pin#	Definition	Pin#	Definition
1	SP_DCD1	6	SP_DSR1
2	SP_RXD1	7	SP_RTS1
3	SP_TXD1	8	SP_CTS1
4	SP_DTR1	9	SP_RI1
5	GND		

External BMC I²C Header

A System Management Bus header for the BMC is located at JIPMB1 on the X14SBI-F/-TF motherboard. Connect the appropriate cable here to use the IPMB I²C connection on your system.

For a detailed diagram of the X14SBI-F/-TF motherboard, see the layout under ["Quick Reference"](#) on page 12.

External BMC I²C Header for Backplane

A System Management Bus 4-pin header for the BMC is located at JBPNI²C1 on the X14SBI-F/-TF motherboard. Connect the appropriate cable here to connect the BMC to the backplane.

For a detailed diagram of the X14SBI-F/-TF motherboard, see the layout under ["Quick Reference"](#) on page 12.

External I ² C Header	
Pin Definitions: Four Total	
Pin#	Definition
1	Data
2	GND
3	Clock
4	+3.3 V

Fan Headers

There are seven 4-pin fan headers (FAN1–FAN5, FANA, FANB) on the X14SBI-F/-TF motherboard. All the 4-pin fan headers are backwards compatible with the traditional 3-pin fans. However, fan speed control is available for 4-pin fans only by Thermal Management via the IPMI 2.0 interface.

For a detailed diagram of the X14SBI-F/-TF motherboard, see the layout under "[Quick Reference](#)" on page 12.

4-pin Fan Header	
Pin Definitions: Four Total	
Pin#	Definition
1	GND (Black)
2	+12 V (Red)
3	Tachometer
4	PWM Control

Inlet Sensor Header

An inlet sensor header is located at JSEN1 on the X14SBI-F/-TF motherboard. The inlet temperature sensor represents the ambient air temperature entering the system. The equivalent temperature sensor retrievable by the onboard BMC is RT0.

For a detailed diagram of the X14SBI-F/-TF motherboard, see the layout under "[Quick Reference](#)" on page 12.

Inlet Sensor Header	
Pin Definitions: Four Total	
Pin#	Definition
1	Data
2	GND
3	Clock
4	+3.3 V Standby

M.2 M-Key PCIe 5.0 x2 Slots

Two M.2 M-key slots are located at JM2_1 and JM2_2 on the X14SBI-F/-TF motherboard. The M.2 M-key slots on the motherboard support PCIe 5.0 x2 devices in a 22110 form factor.

For a detailed diagram of the X14SBI-F/-TF motherboard, see the layout under "[Quick Reference](#)" on page 12.

MCIO PCIe 5.0 x8 Connectors

Mini Cool Edge IO (MCIO) PCIe 5.0 x8 connectors are located at JNVME1–JNVME6 (JNVME1 and JNVME2 support CXL 2.0 devices) on the X14SBI-F/-TF motherboard.

For a detailed diagram of the X14SBI-F/-TF motherboard, see the layout under "[Quick Reference](#)" on page 12.

NC-SI Connection

The Network Controller Sideband Interface (NC-SI) connection is located at JNCSI1 on the X14SBI-F/-TF motherboard. This connection is used to connect a Network Interface Card (NIC) to the motherboard to allow the onboard Baseboard Management Controller (BMC) to communicate with a network.

Note: For detailed instructions on how to configure Network Interface Card (NIC) settings, refer to the Network Interface Card Configuration User's Guide posted on the web page under the link: <https://www.supermicro.com/support/manuals>.

For a detailed diagram of the X14SBI-F/-TF motherboard, see the layout under "[Quick Reference](#)" on page 12.

NVMe SMBus Header

An NVMe SMBus (I²C) header is located at JNVI²C1 on the X14SBI-F/-TF motherboard. It is used for PCIe SMBus clock and data connections, and provides hot-plug support through a dedicated SMBus interface. This feature is only available for a Supermicro complete system with a Supermicro proprietary NVMe add-on card and a proper cable installed.

For a detailed diagram of the X14SBI-F/-TF motherboard, see the layout under "[Quick Reference](#)" on page 12.

NVMe SMBus Header	
Pin Definitions: Four Total	
Pin#	Definition
1	Data
2	GND
3	Clock
4	VCC

Power SMB (I²C) Header

The Power System Management Bus (I²C) connector (JPI²C1 on the X14SBI-F/-TF motherboard) monitors the power supply, fan, and system temperatures.

For a detailed diagram of the X14SBI-F/-TF motherboard, see the layout under "[Quick Reference](#)" on page 12.

Power SMBus Header	
Pin Definitions: Five Total	
Pin#	Definition
1	Clock
2	Data
3	PMBUS_Alert
4	GND
5	+3.3 V

Standby Power

The Standby Power header is located at JSTBY1 on the motherboard. You must have a card with a Standby Power connector and a cable to use this feature.

For a detailed diagram of the X14SBI-F/-TF motherboard, see the layout under "[Quick Reference](#)" on page 12.

Standby Power	
Pin Definitions: Three Total	
Pin#	Definition
1	+5 V Standby
2	GND
3	No Connection

SATA 3.0 Ports

Four SATA 3.0 ports are located at SATA0–3 on the X14SBI-F/-TF motherboard. Use a SlimSAS cable to connect SATA 3.0 or PCIe devices to the motherboard.

TPM/Port 80 Header

The JTPM1 header on the X14SBI-F/-TF motherboard is used to connect a Trusted Platform Module (TPM)/Port 80, which is available from Supermicro (optional). A TPM/Port 80 connector is a security device that supports encryption and authentication in hard drives. It allows the

motherboard to deny access if the TPM associated with the hard drive is not installed in the system. Go to the following link for more information on the TPM: https://www.supermicro.com/manuals/other/AOM-TPM-9670V_9670H_X12_H12.pdf.

For a detailed diagram of the X14SBI-F/-TF motherboard, see the layout under "Quick Reference" on page 12.

Trusted Platform Module Header			
Pin Definitions: 10 Total			
Pin#	Definition	Pin#	Definition
1	+3.3 V	2	SPI_CS#
3	RESET#	4	SPI_MISO
5	SPI_CLK	6	Ground
7	SPI_MOSI	8	No Connection
9	+PVCCFA	10	SPI_IRQ#

USB Header

There is one USB 3.2 Gen 1 header (USB2/3) on the X14SBI-F/-TF motherboard.

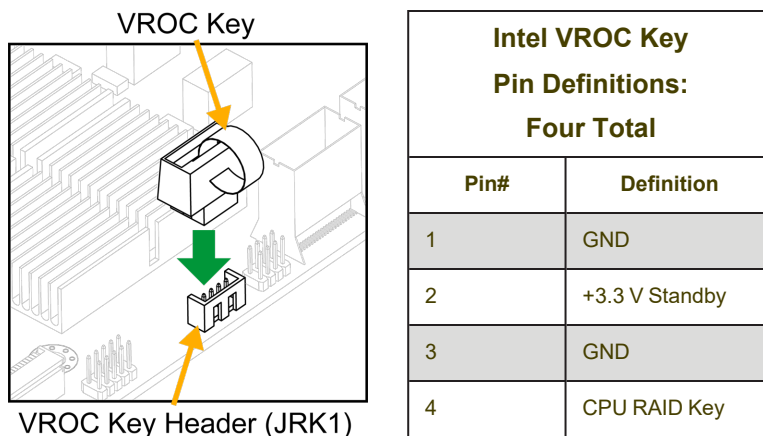
For a detailed diagram of the X14SBI-F/-TF motherboard, see the layout under "Quick Reference" on page 12.

USB 2/3 (USB 3.2 Gen 1) Header			
Pin Definitions: 20 Total			
Pin#	Definitions	Pin#	Definitions
1	VBUS	11	IntA_P2_D+
2	IntA_P1_SSRX-	12	IntA_P2_D-
3	IntA_P1_SSRX+	13	GND
4	GND	14	IntA_P2_SSTX+
5	IntA_P1_SSTX-	15	IntA_P2_SSTX-
6	IntA_P1_SSTX+	16	GND
7	GND	17	IntA_P2_SSRX+
8	IntA_P1_D-	18	IntA_P2_SSRX-
9	IntA_P1_D+	19	VBUS
10	GND	20	No Connection

VROC RAID Key Header

A VROC RAID Key header is located at JRK1 on the X14SBI-F/-TF motherboard. Install a VROC RAID key on JRK1 for NVMe RAID support as shown in the illustration below.

For a detailed diagram of the X14SBI-F/-TF motherboard, see the layout under "[Quick Reference](#)" on page 12.



Note: Images displayed are for illustrative purposes only. The components installed in your system may or may not look exactly the same as the graphics shown in the manual.

Note: For detailed instructions on how to configure VROC RAID settings, refer to the VROC RAID Configuration User's Guide posted on the web page under the following link: <https://www.supermicro.com/support/manuals>.

Front Control Panel

JF1 contains header pins for various buttons and indicators that are normally located on a control panel at the front of the chassis. These connectors are designed specifically for use with a Supermicro chassis.

For a detailed diagram of the X14SBI-F/-TF motherboard, see the layout under ["Quick Reference"](#) on page 12.

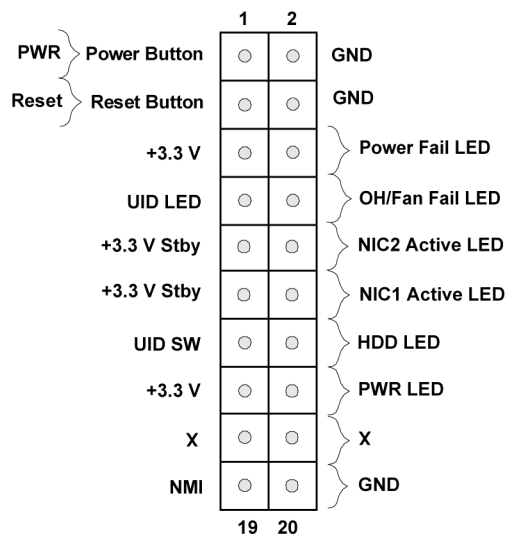


Figure 2-76. Front Control Panel Pin Definitions

Power Button

The Power Button connection is located on pins 1 and 2 of JF1 on the X14SBI-F/-TF motherboard. Momentarily contacting both pins will power on/off the system. This button can also be configured to function as a suspend button (with a setting in the BIOS). To turn off the power when the system is in suspend mode, press the button for four seconds or longer.

For a detailed diagram of the X14SBI-F/-TF motherboard, see the layout under ["Quick Reference"](#) on page 12.

Power Button	
Pin Definitions (JF1)	
Pin#	Definition
1	Signal
2	GND

Reset Button

The Reset Button connection is located on pins 3 and 4 of JF1 on the X14SBI-F/-TF motherboard. Attach it to a hardware reset switch on the computer case to reset the system.

For a detailed diagram of the X14SBI-F/-TF motherboard, see the layout under "[Quick Reference](#)" on page 12.

Reset Button	
Pin Definitions (JF1)	
Pin#	Definition
3	Reset
4	GND

Power Fail LED

The Power Fail LED connection is located on pins 5 and 6 of JF1 on the X14SBI-F/-TF motherboard.

For a detailed diagram of the X14SBI-F/-TF motherboard, see the layout under "[Quick Reference](#)" on page 12.

Power Fail LED	
Pin Definitions (JF1)	
Pin#	Definition
5	+3.3 V
6	PWR Supply Fail

Overheat/Fan Fail and UID LED

Connect an LED cable to pins 7 and 8 of the front control panel to use the Overheat/Fan Fail LED connections. The LED on pin 8 provides warnings of overheat or fan failure.

For a detailed diagram of the X14SBI-F/-TF motherboard, see the layout under "[Quick Reference](#)" on page 12.

OH/Fan Fail Indicator Status Pin Definitions (JF1)		OH/Fan Fail/UID LED Pin Definitions (JF1)	
State	Definition	Pin#	Definition
Off	Normal	7	UID LED (Blue)
On	Overheat	8	OH/FAN Fail LED
Flashing	Fan Fail		

NIC1/NIC2 (LAN1/LAN2)

The Network Interface Controller (NIC) LED connection for LAN port 1 is located on pins 11 and 12 of JF1 on the X14SBI-F/-TF motherboard, and LAN port 2 is on pins 9 and 10. Attach the NIC LED cables here to display network activity.

For a detailed diagram of the X14SBI-F/-TF motherboard, see the layout under "[Quick Reference](#)" on page 12.

LAN1/LAN2 LED Pin Definitions (JF1)	
Pin#	Definition
9	VCC
10	NIC2 Link/Active LED
11	VCC
12	NIC1 Link/Active LED

HDD LED

The HDD LED connection is located on pins 13 and 14 of JF1 on the X14SBI-F/-TF motherboard. Attach a cable to pin 14 to show storage drive activity status.

For a detailed diagram of the X14SBI-F/-TF motherboard, see the layout under "[Quick Reference](#)" on page 12.

HDD LED Pin Definitions (JF1)	
Pin#	Definition
13	+3.3 V Standby
14	HDD Activity

Power LED

The Power LED connection is located on pins 15 and 16 of JF1 on the X14SBI-F/-TF motherboard.

For a detailed diagram of the X14SBI-F/-TF motherboard, see the layout under ["Quick Reference"](#) on page 12.

Power LED	
Pin Definitions (JF1)	
Pin#	Definition
15	+3.3 V
16	PWR LED

NMI Button

The non-maskable interrupt (NMI) button header is located on pins 19 and 20 of JF1 on the X14SBI-F/-TF motherboard.

For a detailed diagram of the X14SBI-F/-TF motherboard, see the layout under ["Quick Reference"](#) on page 12.

NMI Button	
Pin Definitions (JF1)	
Pin#	Definition
19	Control
20	GND

I/O Ports

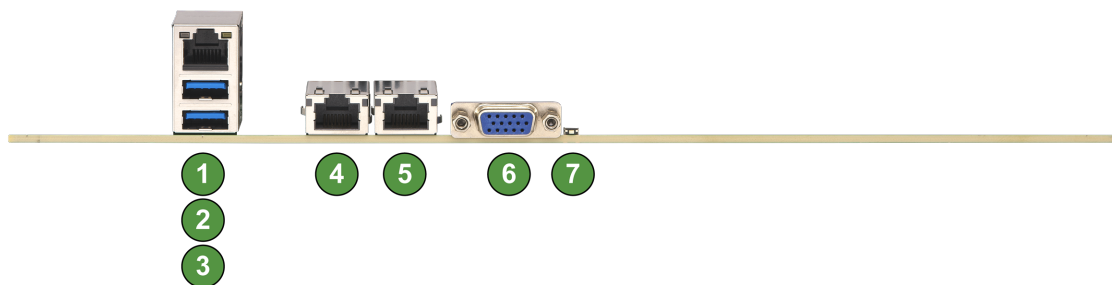


Figure 2-77. X14SBI-F/-TF I/O Ports

I/O Ports			
#	Description	#	Description
1	BMC_LAN	5	LAN2
2	USB0 (3.2 Gen 1)	6	VGA
3	USB1 (3.2 Gen 1)	7	UID Button
4	LAN1		

LAN Ports

The motherboard has dual 1 GbE LAN ports (i210, X14SBI-F) or dual 10 GbE LAN ports (X550, X14SBI-TF) located on the I/O panel. The two 1 GbE and 10 GbE LAN ports accept RJ45 cables. In addition to the LAN ports, there is one dedicated BMC LAN port.

For a detailed diagram of the X14SBI-F/-TF motherboard, see the layout under "[Quick Reference](#)" on page 12.

LAN Ports			
Pin Definitions: 21 Total			
Pin#	Definition	Pin#	Definition
1	TRD1P	11	TRD4N
2	TRD1N	12	TRCT4
3	TRCT1	13	TRD5P
4	TRD2P	14	TRD5N
5	TRD2N	15	L1-GRE-
6	TRCT2	16	L1-GRE+
7	TRD3P	17	L2-YEL-
8	TRD3N	18	COMMON
9	TRCT3	19	L2-GRE
10	TRD4P	20	CG1
		21	CG2

BMC LAN			
Pin Definitions: 19 Total			
Pin#	Definition	Pin#	Definition
		29	Link 1000 LED (Amber)
20	TD0+	30	Link 100 LED (Green)
21	TD0-	31	Active LED (Yellow)
22	TD1+	32	GND
23	TD1-	33	SGND
24	TD2+	34	SGND
25	TD2-	35	SGND
26	TD3+	36	SGND
27	TD3-		
28	GND		

USB Ports

There are two USB 3.2 Gen 1 ports (USB0/1) on the I/O panel of the X14SBI-F/-TF motherboard.

For a detailed diagram of the X14SBI-F/-TF motherboard, see the layout under ["Quick Reference" on page 12.](#)

USB0/1 (USB 3.2 Gen 1) Port			
Pin Definitions: 18 Total			
Pin#	Definitions	Pin#	Definitions
1	VBUS	10	VBUS
2	D-	11	D-
3	D+	12	D+
4	GND	13	GND
5	STDA_SSRX-	14	STDA_SSRX-
6	STDA_SSRX+	15	STDA_SSRX+
7	GND	16	GND
8	STDA_SSTX-	17	STDA_SSTX-
9	STDA_SSTX+	18	STDA_SSTX+

Unit Identifier Button

A Unit Identifier (UID) button and two LED indicators are located on the motherboard. The UID button is located near the I/O ports of the X14SBI-F/-TF motherboard.

Note: After pushing and holding the UID button for 12 seconds, all BMC settings including username and password will revert back to the factory default. Only the network settings and FRU are retained.

For a detailed diagram of the X14SBI-F/-TF motherboard, see the layout under ["Quick Reference" on page 12.](#)

Function	User Input	Behavior	LED Activity
UID LED Indicator	Push once Push again	Turns on the UID LED Turns off the UID LED	UID LED turns solid blue UID LED turns off
BMC Reset	Push and hold for 6 seconds Push and hold for 12 seconds	BMC will do a cold boot BMC will reset to factory default	BMC Heartbeat LED turns solid green BMC Heartbeat LED turns solid green

UID Button Pin Definitions: Four Total		UID LED Pin Definitions: Four Total	
Pin#	Definition	Color	Status
1	Button In	1	Button In
2	GND	2	GND
G1	GND	G1	GND
G2	GND	G2	GND

VGA Port

A video (VGA) port is located on the I/O ports of the motherboard. The VGA port provides analog interface support between the computer and the video displays.

For a detailed diagram of the X14SBI-F/-TF motherboard, see the layout under "[Quick Reference](#)" on page 12.

Jumper Settings

To modify the operation of the motherboard, jumpers can be used to choose between optional settings. Jumpers create shorts between two pins to change the function of the connector. Pin 1 is identified with a square solder pad on the printed circuit board. See the diagram below for an example of jumping pins 1 and 2. Refer to the motherboard layout page for jumper locations.

Note: On two-pin jumpers, "Closed" means the jumper is on and "Open" means the jumper is off the pins.

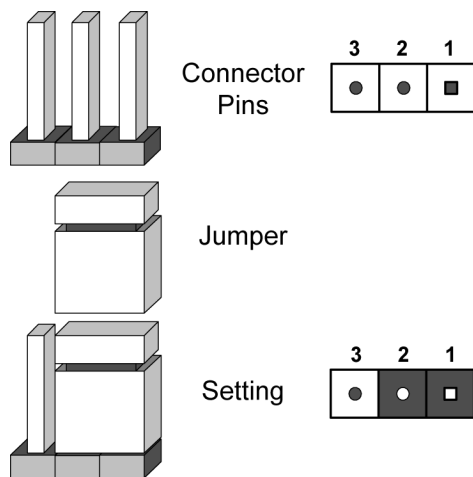


Figure 2-78. Jumping Connector Pins

CMOS Clear

JBT1 on the X14SBI-F/-TF motherboard is used to clear CMOS, which will also clear any passwords. Instead of pins, this jumper consists of contact pads to prevent accidentally clearing the contents of CMOS.

For a detailed diagram of the X14SBI-F/-TF motherboard, see the layout under "[Quick Reference](#)" on page 12.



1. First power down the system and unplug the power cord(s).
2. Remove the cover of the chassis to access the motherboard.
3. Remove the onboard battery from the motherboard.
4. Short the CMOS pads, JBT1, with a metal object such as a small screwdriver for at least four seconds.

Note: Clearing CMOS will also clear all passwords.

5. Remove the screwdriver (or shorting device).
6. Replace the cover, reconnect the power cord(s), and power on the system.

I²C Buses for VRM

Jumpers JVRM1 and JVRM2 allow the BMC to access CPU and memory VRM controllers.

For a detailed diagram of the X14SBI-F/-TF motherboard, see the layout under "[Quick Reference](#)" on page 12.

JVRM1 Jumper Settings		JVRM2 Jumper Settings	
Jumper Setting	Definition	Jumper Setting	Definition
Pins 1–2	SMB Data (to BMC)	Pins 1–2	SMB CLOCK (to BMC)

LAN Port Enable/Disable

Use JPL1 to enable or disable the i210 LAN1 port (for X14SBI-F). Use JPL2 to enable or disable the i210 LAN2 port (for X14SBI-F). Use JPL3 to enable or disable the X550 LAN1 and LAN2 ports (for X14SBI-TF). The default setting is Enabled.

For a detailed diagram of the X14SBI-F/-TF motherboard, see the layout under ["Quick Reference"](#) on page 12.

LAN Port Enable/Disable	
Jumper Settings	
Jumper Setting	Definition
Pins 1–2	Enabled (Default)
Pins 2–3	Disabled

Onboard TPM Enable/Disable

Use JPT1 to enable or disable the onboard TPM.

For a detailed diagram of the X14SBI-F/-TF motherboard, see the layout under ["Quick Reference"](#) on page 12.

TPM Enable/Disable	
Jumper Settings	
Jumper Setting	Definition
Pins 1–2	Enabled (Default)
Pins 2–3	Disabled

LED Indicators

For information about the LED indicators on the motherboard, refer to the following content.

BMC Heartbeat LED

A BMC Heartbeat LED is located at LEDBMC on the X14SBI-F/-TF motherboard. When this LED is blinking, the BMC is functioning normally.

For a detailed diagram of the X14SBI-F/-TF motherboard, see the layout under ["Quick Reference"](#) on page 12.

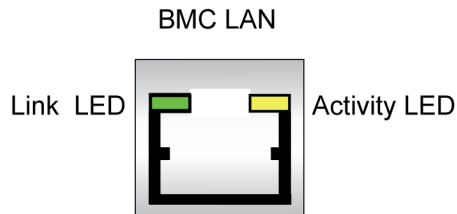
BMC Heartbeat LED Indicator	
LED Color	Definition
Green: Blinking	BMC Normal

BMC LAN LEDs

A BMC LAN is located on the I/O panel of the X14SBI-F/-TF motherboard. The LED on the right indicates activity, and the LED on the left indicates the speed of the connection.

For a detailed diagram of the X14SBI-F/-TF motherboard, see the layout under ["Quick Reference" on page 12](#).

BMC LAN LEDs		
	Color/State	Definition
Link (left)	Green: Solid	100 Mbps
	Amber: Solid	1 Gbps
Activity (right)	Amber: Blinking	Active



LAN LEDs

Each LAN port of the X14SBI-F/-TF motherboard has two LEDs. The green LED indicates activity, while the other Link LED may be yellow, amber, or off to indicate the speed of the connection.

For a detailed diagram of the X14SBI-F/-TF motherboard, see the layout under ["Quick Reference" on page 12](#).

LAN Link LED (Left) LED State		LAN Activity LED (Right) LED State	
LED Color	Definition	LED Color	Definition
Green: Solid	10 Gbps (X14SBI-TF only)	Green: Flashing	Active
Yellow or Amber: Solid	1 Gbps		

M.2 LEDs

M.2 LEDs are located at LED4 and LED7 on the X14SBI-F/-TF motherboard. When these LEDs are blinking, the M.2 devices are functioning normally.

For a detailed diagram of the X14SBI-F/-TF motherboard, see the layout under ["Quick Reference" on page 12](#).

M.2 LED State	
LED Color	Definition
Green: Blinking	Device Working

Onboard Power LED

The Onboard Power LED is located at LEDPWR on the X14SBI-F/-TF motherboard. When this LED is on, the system is on. Be sure to turn off the system and unplug the power cord before removing or installing components.

For a detailed diagram of the X14SBI-F/-TF motherboard, see the layout under "[Quick Reference](#)" on page 12.

Onboard Power LED Indicator	
LED Color	Definition
Off	System Power Off (power cable not connected)
Green	System Power On

Unit ID (UID) LED

The UID LED indicator is located at LED6 on the X14SBI-F/-TF motherboard. This UID indicator provides easy identification of a system that may need to be serviced.

For a detailed diagram of the X14SBI-F/-TF motherboard, see the layout under "[Quick Reference](#)" on page 12.

UID LED LED Indicator	
LED Color	Definitions
Blue: On	System Identified

Chapter 3:

Troubleshooting

The following content contains information on common issues and how to resolve them.

3.1 Troubleshooting Procedures	97
Before Power On	97
No Power	97
No Video	97
System Boot Failure	97
Memory Errors	98
Losing the System's Setup Configuration	98
If the System Becomes Unstable	98
3.2 Technical Support Procedures	100
3.3 Motherboard Battery	101
3.4 Where to Get Replacement Components	102
3.5 Returning Merchandise for Service	103
3.6 Feedback	104

3.1 Troubleshooting Procedures

Use the following procedures to troubleshoot your system. If you have followed all of the procedures below and still need assistance, refer to the ["Technical Support Procedures" on page 100](#) or ["Returning Merchandise for Service" on page 103](#) section(s) in this chapter. Always disconnect the AC power cord before adding, changing or installing any non hot-swap hardware components. If the below steps do not fix the setup configuration problem, contact your vendor for repairs.

Before Power On

1. Make sure that there are no short circuits between the motherboard and chassis.
2. Disconnect all ribbon/wire cables from the motherboard, including those for the keyboard and mouse.
3. Remove all add-on cards.
4. Install the processor (making sure it is fully seated) and connect the front panel connectors to the motherboard.

No Power

1. Make sure that there are no short circuits between the motherboard and the chassis.
2. Make sure that the power connectors are properly connected.
3. Check that the 115 V/230 V switch, if available, on the power supply is properly set.
4. Turn the power switch on and off to test the system, if applicable.
5. Check the processor socket for bent pins and make sure the processor is fully seated.
6. The battery on your motherboard may be old. Check to verify that it still supplies approximately 3 VDC. If it does not, replace it with a new one.

No Video

1. If the power is on, but you do not have video, remove all add-on cards and cables.
2. Remove all memory modules and turn on the system (if the alarm is on, check the specs of memory modules, reset the memory, or try a different one).

System Boot Failure

If the system does not display Power-On-Self-Test (POST) or does not respond after the power is turned on, do the following:

1. Check the screen for an error message.
2. Clear the CMOS settings by unplugging the power cord and contacting both pads on the CMOS clear jumper. Restart the system. Refer to ["CMOS Clear" on page 92](#).
3. Remove all components from the motherboard and turn on the system with only one DIMM installed. If the system boots, turn off the system and repopulate the components back into the system to retest. Add one component at a time to isolate which one may have caused the system boot issue.

Memory Errors

When suspecting faulty memory is causing the system issue, check the following:

1. Make sure that the memory modules are compatible with the system and are properly installed. See ["Component Installation" on page 26](#) for installation instructions. (For memory compatibility, refer to the "Tested Memory List" link on the motherboard's product page to see a list of supported memory.)
2. Check if different speeds of DIMMs have been installed. It is strongly recommended that you use the same RAM type and speed for all DIMMs in the system.
3. Make sure that you are using the correct type of DIMMs recommended by the manufacturer.
4. Check for bad DIMMs or slots by swapping a single module among all memory slots and check the results.

Losing the System's Setup Configuration

1. Make sure that you are using a high-quality power supply. A poor-quality power supply may cause the system to lose the CMOS setup information. Refer to ["Introduction" on page 11](#) for details on recommended power supplies.
2. The battery on your motherboard may be old. Check to verify that it still supplies approximately 3 VDC. If it does not, replace it with a new one.

If the System Becomes Unstable

If the system becomes unstable during or after OS installation, check the following:

1. Processor/BIOS support: Make sure that your processor is supported and that you have the latest BIOS installed in your system.

2. Memory support: Make sure that the memory modules are supported. Refer to the product page on our website at <https://www.supermicro.com>. Test the modules using memtest86 or a similar utility.

Note: Click on the "Tested Memory List" link on the motherboard's product page to see a list of supported memory.

3. Storage Drive support: Make sure that all storage drives work properly. Replace the failed storage drives with good ones.
4. System cooling: Check the system cooling to make sure that all heatsink fans and processor/system fans, etc., work properly. Check the hardware monitoring settings in the IPMI to make sure that the processor and system temperatures are within the normal range. Also, check the front panel Overheat LED and make sure that it is not on.
5. Adequate power supply: Make sure that the power supply provides adequate power to the system. Make sure that all power connectors are connected. Refer to our website for more information on the minimum power requirements.
6. Proper software support: Make sure that the correct drivers are used.

If the system becomes unstable before or during OS installation, check the following:

1. Source of installation: Make sure that the devices used for installation are working properly, including boot devices such as a USB flash or media device.
2. Cable connection: Check to make sure that all cables are connected and working properly.
3. Use the minimum configuration for troubleshooting: Remove all unnecessary components (starting with add-on cards first), and use the minimum configuration (but with the processor and a memory module installed) to identify the trouble areas. Refer to the steps listed above in this section for proper troubleshooting procedures.
4. Identify bad components by isolating them: If necessary, remove a component in question from the chassis, and test it in isolation to make sure that it works properly. Replace a bad component with a good one.
5. Check and change one component at a time instead of changing several items at the same time. This will help isolate and identify the problem.
6. To find out if a component is good, swap this component with a new one to see if the system will work properly. If so, then the old component is bad. You can also install the component in question in another system. If the new system works, the component is good and the old system has problems.

3.2 Technical Support Procedures

Before contacting Technical Support, take the following steps. Also, note that as a motherboard manufacturer, Supermicro also sells motherboards through its channels, so it is best to first check with your distributor or reseller for troubleshooting services. They should know of any possible problems with the specific system configuration that was sold to you.

1. Refer to "Troubleshooting Procedures" on page 97 or see the FAQs on our website (<https://www.supermicro.com/FAQ/index.php>) before contacting Technical Support.
2. BIOS upgrades can be downloaded from our website (https://www.supermicro.com/support/resources/bios_ipmi.php).
3. If you still cannot resolve the problem, include the following information when contacting Supermicro for technical support:
 - Motherboard model and PCB revision number
 - BIOS release date/version (This can be seen on the initial display when your system first boots up.)
 - System configuration
4. An example of a Technical Support form is on our website at <https://webpr3.supermicro.com/SupportPortal>.
5. Distributors: For immediate assistance, have your account number ready when placing a call to our Technical Support department. For Supermicro contact information, refer to "Contacting Supermicro" on page 10.

3.3 Motherboard Battery

For information on removing, disposing of, and replacing the motherboard battery of your system, refer to ["Battery Removal and Installation" on page 76](#).

3.4 Where to Get Replacement Components

If you need replacement parts for your motherboard, to ensure the highest level of professional service and technical support, purchase exclusively from our Supermicro Authorized Distributors/System Integrators/Resellers. A list can be found on the Supermicro website:

<https://www.supermicro.com>

Under the "Buy" menu, click the "Where to Buy" link.

3.5 Returning Merchandise for Service

A receipt or copy of your invoice marked with the date of purchase is required before any warranty service will be rendered. You can obtain service by calling your vendor for a Returned Merchandise Authorization (RMA) number. When returning the motherboard to the manufacturer, the RMA number should be prominently displayed on the outside of the shipping carton, and the shipping package is mailed prepaid or hand-carried. Shipping and handling charges will be applied for all orders that must be mailed when service is complete.

For faster service, RMA authorizations can be requested online at the following page:

<https://www.supermicro.com/RmaForm>

Whenever possible, repack the motherboard in the original Supermicro carton, using the original packaging material. If these are no longer available, be sure to pack the motherboard securely, using packaging material to surround the motherboard so that it does not shift within the carton and become damaged during shipping.

This warranty only covers normal consumer use and does not cover damages incurred in shipping or from failure due to the alternation, misuse, abuse or improper maintenance of products.

During the warranty period, contact your distributor first for any product problems.

3.6 Feedback

Supermicro values your feedback as we strive to improve our customer experience in all facets of our business. Email us at Techwriterteam@supermicro.com to provide feedback on our manuals.

Chapter 4:

UEFI BIOS

The following content contains information on BIOS configuration with the motherboard.

4.1 Introduction	106
4.2 Main Setup	108
4.3 Advanced Setup Configurations	110
4.4 Event Logs	154
4.5 BMC	156
4.6 Security	160
4.7 Boot	165
4.8 Save & Exit	167

4.1 Introduction

This chapter describes the AMIBIOS™ Setup utility for the motherboard. The BIOS is stored on a chip and can be easily upgraded using the UEFI script (flash.nsh), the BMC WebUI, or the SuperServer Automation Assistant (SAA) utility.

Note: Due to periodic changes to the BIOS, some settings may have been added or deleted and might not yet be recorded in this manual. Refer to the Manual Download area of our website for any changes to BIOS that may not be reflected in this manual.

Updating BIOS

It is recommended that you do not upgrade your BIOS if you are not experiencing any problems with your system. Updated BIOS files are located on our website at the following page:

https://www.supermicro.com/support/resources/bios_ipmi.php

Check our BIOS warning message and the information on how to update your BIOS on our website. Select your motherboard model and download the BIOS file to your computer. Also, check the current BIOS revision to make sure that it is newer than your BIOS before downloading.

Important: Do not shut down or reset the system while updating the BIOS to prevent possible system boot failure! Read the motherboard README file carefully before you perform the BIOS update.

To update the BIOS under the UEFI Shell, unzip the BIOS file onto a bootable USB device and then boot into the built-in UEFI Shell. For motherboards with BMC support, type "flash.nsh <BIOS filename><BMC Username><BMC Password>" to start the BIOS update. The flash.nsh script will invoke the SAA (EFI) tool automatically to perform the BIOS update, beginning with uploading the BIOS image to BMC. After uploading the BIOS image, the system will reboot to continue the process. The BMC will take over and continue the BIOS update in the background. The process will take 3–5 minutes. Refer to the README file for more information.

Starting the Setup Utility

To enter the BIOS Setup utility, press the <Delete> key while the system is booting-up. In most cases, the <Delete> key is used to invoke the BIOS Setup screen. There are a few cases when other hot keys are used, such as <F1>, <F2>, etc. Each main BIOS menu option is described in this manual.

The Main BIOS screen has two main frames. The left frame displays all the options that can be configured. "Grayed-out" options cannot be configured. The right frame displays the key legend. Above the key legend is an area reserved for a text message. When a BIOS submenu or item is selected in the left frame, it is highlighted in white. Often a text message will accompany it. (Note that BIOS has default text messages built in. We retain the option to include, omit, or change any of these text messages.) Settings printed in **Bold** are the default values.

A "▶" indicates a submenu. Highlighting such an item and pressing the <Enter> key open the list of settings within that submenu.

The BIOS Setup utility uses a key-based navigation system called hot keys. Most of these hot keys (<F1>, <F2>, <F3>, <F4>, <F5>, <F6>, <Enter>, <ESC>, the arrow keys, etc.) can be used at any time during the setup navigation process.

4.2 Main Setup

The Main setup screen appears when the AMI BIOS Setup utility is first entered. To return to the Main setup screen, select the Main tab at the top of the screen. The Main BIOS setup screen is shown below.

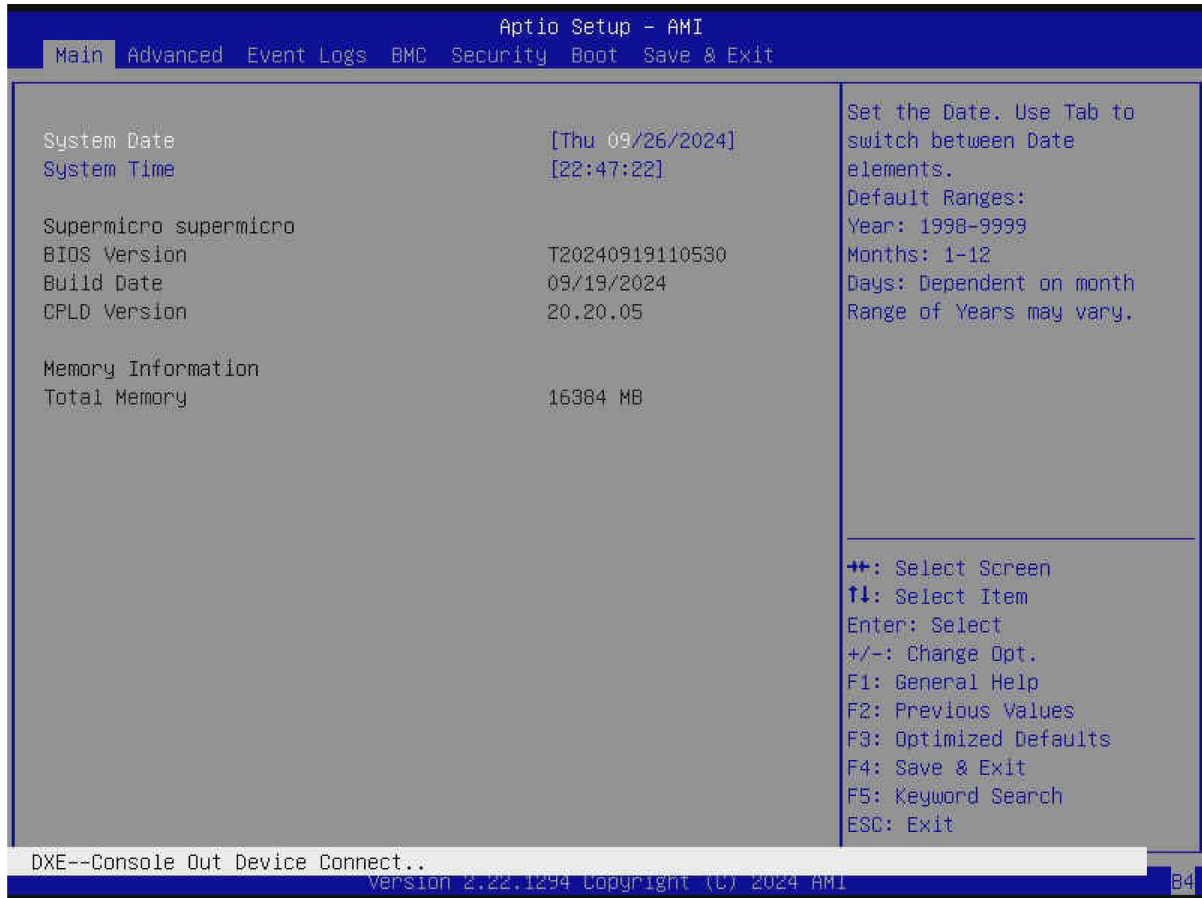


Figure 4-1. Main Setup Screen

System Date/System Time

Use the two features to change the system date and time. Highlight **System Date** or **System Time** using the arrow keys. Enter new values using the keyboard. Press the <Tab> key or the arrow keys to move between fields. The date must be entered in MM/DD/YYYY format. The time is entered in HH:MM:SS format.

Note: The time is in the 24-hour format. For example, 5:30 P.M. appears as 17:30:00.

Supermicro X14SBI-F/-TF

BIOS Version

This feature displays the version of the BIOS ROM used in the system.

Build Date

This feature displays the date when the version of the BIOS ROM used in the system was built.

CPLD Version

This feature displays the version of the Complex-Programmable Logical Device (CPLD) used in the system.

Memory Information**Total Memory**

This feature displays the total size of memory available in the system.

4.3 Advanced Setup Configurations

Use the arrow keys to select the Advanced submenu and press <Enter> to access the submenu items.

Important: Use caution when changing the Advanced settings. An incorrect value, an improper DRAM frequency, or a wrong BIOS timing setting may cause the system to malfunction. When this occurs, revert the settings to the default manufacturing settings.

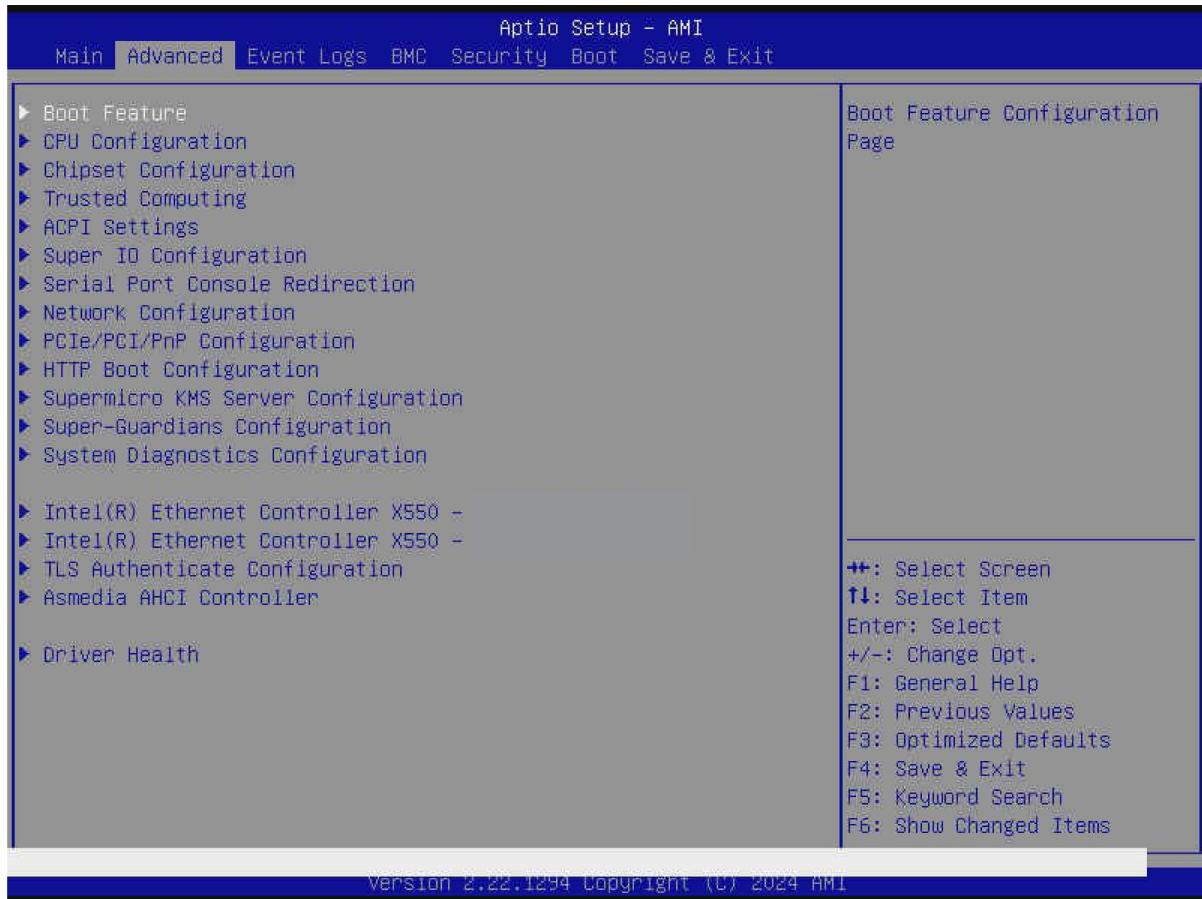


Figure 4-2. Advanced Setup Configurations Screen

Boot Feature Menu

► Boot Feature

Quiet Boot

Use this feature to select the screen between displaying the Power-on Self Test (POST) messages or the OEM logo upon bootup. Select Disabled to display the POST messages. Select Enabled to display the OEM logo instead of the normal POST messages. The options

are Disabled and **Enabled**.

Note: BIOS POST messages are always displayed regardless of the setting of this feature.

Bootup NumLock State

Use this feature to set the Power-on state for the <Numlock> key. The options are **On** and Off.

Wait For "F1" If Error

Select Enabled to force the system to wait until the <F1> key is pressed if an error occurs. The options are **Disabled** and Enabled.

Re-try Boot

If this feature is set to Enabled, the system BIOS will automatically reboot the system from an Extensible Firmware Interface (EFI) boot device after an initial boot failure. The options are **Disabled** and Enabled.

Power Configuration

Watch Dog Function

Select Enabled to allow the Watch Dog timer to reboot the system when it is inactive for more than five minutes. The options are **Disabled** and Enabled.

Watch Dog Action (Available when "Watch Dog Function" is set to Enabled)

Use this feature to configure the Watch Dog Time_out setting. The options are **Reset** and NMI.

Restore on AC Power Loss

Use this feature to set the power state after a power outage. Select Stay Off for the system power to remain off after a power loss. Select Power On for the system power to be turned on after a power loss. Select Last State to allow the system to resume its last power state before a power loss. The options are Stay Off, Power On, and **Last State**.

Power Button Function

This feature controls how the system shuts down when the power button is pressed. Select 4 Seconds Override to power off the system after pressing and holding the power button for four seconds or longer. Select Instant Off to instantly power off the system as soon as you press the power button. The options are **Instant Off** and 4 Seconds Override.

CPU Configuration Menu

► CPU Configuration

Important: Setting the wrong values for the features included in the following sections may cause the system to malfunction.

The following processor information is displayed:

- Processor BSP Revision
- Processor Socket
- Processor ID
- Processor Frequency
- Processor Max Ratio
- Processor Min Ratio
- Microcode Revision
- L1 Cache RAM (Per Core)
- L2 Cache RAM (Per Core)
- L3 Cache RAM (Per Package)
- Processor 0 Version

Hyper-Threading [ALL]

Select Enabled to use Intel Hyper-Threading Technology to enhance CPU performance. The options are Disabled and **Enabled**. This feature is CPU-dependent.

Hardware Prefetcher

If this feature is set to Enabled, the hardware prefetcher will prefetch data from the main system memory to Level 2 cache to help expedite the data transaction to enhance memory performance. The options are **Enabled** and Disabled.

Note: This feature is NOT available when "Workload Profile" is set to HPC, I/O, or Virtualization.

Adjacent Cache Prefetch

Select Enabled for the CPU to prefetch both cache lines for 128 bytes as comprised. Select Disabled for the CPU to prefetch both cache lines for 64 bytes. The options are **Enabled** and Disabled.

Note: This feature is NOT available when "Workload Profile" is set to HPC, I/O, or Virtualization.

DCU Streamer Prefetcher

If this feature is set to Enabled, the Data Cache Unit (DCU) streamer prefetcher will prefetch data streams from the cache memory to the DCU to speed up data accessing and processing to enhance CPU performance. The options are Enabled, Disabled, and **Auto**.

Note: This feature is NOT available when "Workload Profile" is set to HPC, I/O, or Virtualization.

DCU IP Prefetcher

This feature allows the system to use the sequential load history, which is based on the instruction pointer of previous loads, to determine whether the system will prefetch additional lines. The options are **Enabled** and Disabled.

Note: This feature is NOT available when "Workload Profile" is set to HPC, I/O, or Virtualization.

LLC Prefetch

If this feature is set to Enabled, LLC (hardware cache) prefetching on all threads will be supported. The options are **Disabled** and Enabled. This feature is CPU-dependent.

Note: This feature is available when "Workload Profile" is set to Disabled.

Homeless Prefetch

Select Enabled for Homeless Prefetch support on all threads, which is an Effective Prefetch Strategy (EPS) used to enhance memory performance by reducing communication overhead, network latency, and the wait time needed for barrier synchronization in memory prefetching commonly associated with the home-based software Distributed Shared Memory (DSM) system. The options are Disabled, Enabled, and **Auto**. Please note that the option of Auto is program-specific. This feature is CPU-dependent.

AMP Prefetch

Select Enabled to use a machine learning algorithm to predict the best L2 prefetcher configuration for the currently running workload. This feature can improve the performance of various general-purpose workloads. The options are Disabled and **Enabled**. This feature is CPU-dependent.

APIC Physical Mode

Use this feature to enable the APIC physical destination mode. The options are **Disabled** and Enabled. (APIC is the abbreviation for Extended Advanced Programmable Interrupt Controller.)

TXT Support

Select Enabled to enable Intel Trusted Execution Technology (TXT) support to enhance system integrity and data security. The options are **Disabled** and Enabled. This feature is CPU-dependent.

Note: If this feature is set to Enabled, be sure to disable Device Function On-Hide (EV DFX) support when it is present in the BIOS for the system to work properly.

Intel Virtualization Technology

Select Enabled to enable the Intel Vanderpool Technology for Virtualization platform support, which allows multiple operating systems to run simultaneously on the same computer to maximize system resources for performance enhancement. The options are Disabled and **Enabled**. Changes take effect after you save settings and reboot the system.

Notes:

- This feature is NOT available when "TXT Support" is set to Enabled.
- This feature is NOT available when "Workload Profile" is set to Virtualization.

Enable SMX

Select Enabled to support Safer Mode Extensions (SMX), which provides a programming interface for system software to establish a controlled environment to support the trusted platform configured by the end user and to verify a virtual machine monitor before it is allowed to run. The options are **Disabled** and Enabled.

Note: This feature is available when "TXT Support" is set to Disabled.

PPIN Control

Select Unlock/Enabled to use the Protected Processor Inventory Number (PPIN) in the system. The PPIN is a unique number set for tracking a given Intel Xeon server processor. The options are Lock/Disabled and **Unlock/Enabled**.

AES-NI

Select Enabled to use the Intel Advanced Encryption Standard (AES) New Instructions (NI) to ensure data security. The options are Disabled and **Enabled**.

Advanced Power Management Configuration Menu

► Advanced Power Management Configuration

Latency Optimized Mode

Select Enabled to set the power mode to the latency optimized mode to improve the latency. The options are **Disabled** and Enabled. This feature is motherboard-dependent.

Note: This feature is NOT available when "Workload Profile" is set to HPC or Virtualization.

Workload Profile

Use this feature to select a preconfigured workload profile, which is used to tune the resources in your system. The options are **Disabled**, HPC, I/O, and Virtualization. Changes take effect after you save settings and reboot the system.

Note: Select HPC to optimize power performance of High Performance Computing (HPC) workloads for your system running in the HPC environment. Select I/O for I/O intensive workloads to optimize power performance of high volume of data transfers to and from system memory and storage devices or any program. Select Virtualization to optimize power performance of the workload for your system running in the virtualization environment.

Power Performance Tuning

This feature allows either operating system (OS) or BIOS to control the EPB. The options are **OS Controls EPB** and BIOS Controls EPB. (PECI is the abbreviation for Platform Environment Control Interface. EPB is the abbreviation for Intel Performance and Energy Bias Hint.)

Note: This feature is available when "Workload Profile" is set to Disabled.

ENERGY_PERF_BIAS_CFG Mode (ENERGY PERFORMANCE BIAS CONFIGURATION Mode)

Use this feature to configure the proper operation setting for your machine by achieving the desired system performance level and energy saving (efficiency) level at the same time. Select Maximum Performance to maximize system performance to its highest potential; however, this may consume maximal amount of power as energy is needed to fuel processor operation. Select Performance to enhance system performance; however, this may consume more power as energy is needed to fuel the processors for operation. The options are Extreme Performance, Maximum Performance, Performance, **Balanced Performance**, Balanced Power, Power, and Max Power Efficient. Please note that the options of Extreme Performance and Max Power Efficient are motherboard-dependent.

Notes:

- This feature is available when "Power Performance Tuning" is set to BIOS Controls EPB.
- This feature is available when "Workload Profile" is set to Disabled.

CPU P State Control Menu

► **CPU P State Control**

Note: This submenu is available when "Power Performance Tuning" is set to BIOS Controls EPB.

AVX P1

Use this feature to set the appropriate TDP level for the system. The Intel Advanced Vector Extensions (Intel AVX) P1 feature allows you to set the base P1 ratio for Streaming SIMD Extensions (SSE) and AVX workloads. Each P1 ratio has the corresponding AVX Impressed Current Cathodic Protection (ICCP) pre-grant license level, which refers to the selection between different AVX ICCP transition levels. The options are **Nominal**, Level 1, and Level 2. This feature is CPU-dependent.

Note: This feature is available when "SpeedStep (P-States)" is set to Enabled.

Intel SST-PP

Use this feature to choose from two additional Base-Frequency conditions maximum for CPU P State Control. The options are **Auto**, Level 0, Level 1, Level 2, Level 3, and Level 4. The options regarding SST-PP levels are CPU-dependent. (SST-PP is the abbreviation for Speed Select Technology-Performance Profile.)

Note: This feature is available when "SpeedStep (P-States)" is set to Enabled and when the number of SST-PP levels supported by your CPU is no less than two.

Dynamic SST-PP

Use this feature to disable or enable the dynamic SST-PP. The options are **Disabled** and Enabled.

Notes:

- This feature is available when "SpeedStep (P-States)" is set to Enabled and when your CPU supports the Intel Speed Select function.
- This feature is available when "AVX P1" is set to Nominal.
- This feature is NOT available when "Hardware P-States" is set to Disabled or Out of Band Mode.
- This feature is NOT available when "Workload Profile" is set to HPC or Virtualization.

When "SpeedStep (P-States)" is set to Enabled, the information about SST-PP levels supported by your CPU is displayed.

- SST-PP Level
- Capable
- Core Count
- P1 Ratio
- Package TDP (W)
- DTS_Max

SpeedStep (P-States)

Enhanced Intel SpeedStep Technology (EIST) allows the system to automatically adjust processor voltage and core frequency in an effort to reduce power consumption and heat dissipation. Please refer to Intel's website for detailed information. The options are Disabled and **Enabled**.

Note: This feature is available when "Workload Profile" is set to Disabled.

EIST PSD Function

This feature reduces the latency that occurs when one P-state changes to another, thus allowing the transitions to occur more frequently. This will allow for more demand-based P-state switching to occur based on the real-time energy needs of applications so that the power-to-performance balance can be optimized for energy efficiency. The options are **HW_ALL** and **SW_ALL**.

Note: This feature is available when "SpeedStep (P-States)" is set to Enabled.

Turbo Mode (Available when "SpeedStep (P-States)" is set to Enabled and when "Workload Profile" is set to Disabled)

Select Enabled to allow the CPU to operate at the manufacturer-defined turbo speed by increasing CPU clock frequency. This feature is available when it is supported by the processors used in the system. The options are Disabled and **Enabled**.

Hardware PM State Control Menu

► Hardware PM State Control

Notes:

- This submenu is available when "Power Performance Tuning" is set to BIOS Controls EPB.
- This submenu is NOT available when "Workload Profile" is set to HPC or Virtualization.

Hardware P-States

If this feature is set to Disabled, system hardware will choose a P-state setting for the system based on an OS request. If this feature is set to Native Mode, system hardware will choose a P-state setting based on the OS guidance. If this feature is set to Native Mode with No Legacy Support, system hardware will choose a P-state setting independently without the OS guidance. The options are Disabled, **Native Mode**, Out of Band Mode, and Native Mode with No Legacy Support.

CPU C State Control Menu

► CPU C State Control

Note: This submenu is available when "Power Performance Tuning" is set to BIOS Controls EPB.

Monitor MWAIT

Select Enabled to support MONITOR and MWAIT, which are two instructions in Streaming SIMD Extension 3 (SSE3) to improve synchronization between multiple threads for CPU performance enhancement. The options are Disabled and **Enabled**.

C1 to C1e Promotion

If this feature is set to Enabled, CPU will run at its minimum frequency for lower power consumption in the C1 state. The options are Disabled and **Enabled**. This feature is CPU-dependent.

Note: This feature is available when "Workload Profile" is set to Disabled.

ACPI C6x Enumeration

Use this feature to configure C6 state or C6 P-state as ACPI C2 or ACPI C3 state. The options are Disabled, C6 as ACPI C2, C6 as ACPI C3, C6-P as ACPI C2, C6-P as ACPI C3, and **Auto**.

Note: This feature is available when "Workload Profile" is set to Disabled.

Package C State Control Menu

► Package C State Control

Note: This submenu is available when "Power Performance Tuning" is set to BIOS Controls EPB.

Package C State

Use this feature to optimize and reduce CPU package power consumption in the idle mode. Please note that the changes you've made in this setting will affect all CPU cores or the circuits of the entire system. The options are C0/C1 state, C2 state, C6 (non Retention) state, No Limit, and **Auto**.

Note: This feature is NOT available when "Workload Profile" is set to I/O.

LTR IIO Input

Use this feature to set the MSR 1FCh Bit[29]. The options are Take IIO LTR input and **Ignore IIO LTR input**.

CPU1 Core Disable Bitmap Menu

► CPU1 Core Disable Bitmap

Available Bitmap[0]:

This feature displays the available Bitmap[0]. This feature is CPU-dependent.

Available Bitmap[1]:

This feature displays the available Bitmap[1]. This feature is CPU-dependent.

Disable Bitmap[0]:

Enter 0 to enable this feature for CPU Core Bitmap[0]. Enter FFFFFFFFFF to disable CPU Core Bitmap[0]. Please note that the maximum CPU cores are available in each CPU package and at least one core per CPU must be enabled. Disabling all cores is not allowed. The default

setting is **0**.

Disable Bitmap[1]:

Enter 0 to enable this feature for CPU Core Bitmap[1]. Enter FFFFFFFFFF to disable CPU Core Bitmap[1]. Please note that the maximum CPU cores are available in each CPU package and at least one core per CPU must be enabled. Disabling all cores is not allowed. The default setting is **0**. This feature is available when the number of CPU cores is greater than 128.

Chipset Configuration Menu

► Chipset Configuration

Important: Setting the wrong values in this section may cause the system to malfunction.

Uncore Configuration Menu

► Uncore Configuration

The following information is displayed.

- Number of CPU
- Current UPI Link Speed
- Current UPI Link Frequency
- Global MMIO Low Base / Limit
- Global MMIO High Base / Limit
- PCIe Configuration Base / Size

Degrade Precedence

Use this feature to select the degrading precedence option for Ultra Path Interconnect (UPI) connections. Select Topology Precedence to degrade UPI features if system options are in conflict. Select Feature Precedence to degrade UPI topology if system options are in conflict. The options are **Topology Precedence** and Feature Precedence.

Link L0p Enable

Select Enabled for the system BIOS to enable Link L0p support, which allows the CPU to reduce the UPI links from full width to half width in the event when the CPU's workload is low in an attempt to save power. This feature is available for the system that uses Intel processors with UPI technology support. The options are **Disabled**, Enabled, and Auto.

Note: You can change the performance settings for non-standard applications by using this parameter. It is recommended that the default settings be used for standard applications.

Link L1 Enable

Select Enabled for the BIOS to activate Link L1 support, which will power down the UPI links to save power when the system is idle. This feature is available for the system that uses Intel processors with UPI technology support. The options are **Disabled**, Enabled, and Auto.

Note: Link L1 is an excellent feature for an idle system. L1 is used during Package C-States when its latency is hidden by other components during a wakeup.

KTI Prefetch

Keizer Technology Interconnect (KTI) is also known as the Intel Ultra Path Interconnect (UPI) technology. Select Enabled for the KTI prefetcher to preload the L1 cache with data deemed relevant, which allows the memory read to start earlier on a DDR bus in an effort to reduce latency. Select Auto for the KTI prefetcher to automatically preload the L1 cache with relevant data whenever it is needed. The options are Disabled, Enabled, and **Auto**.

IO Directory Cache (IODC)

This feature allows the IODC to generate snoops instead of generating memory lockups for remote IIO (InvltoM) and/or WCI LF (Cores). Select Auto for the IODC to generate snoops (instead of memory lockups) for WCI LF (Cores). The options are Disabled, **Auto**, Enable for Remote InvltoM Hybrid Push, Enable for Remote InvltoM AllocFlow, Enable for Remote InvltoM Hybrid AllocNonAlloc, and Enable for Remote InvltoM and Remote WCI LF.

SNC

Sub NUMA Clustering (SNC) is a feature that breaks up the Last Level Cache (LLC) into clusters based on address range. Each cluster is connected to a subset of the memory controller. Enable this feature to improve average latency and reduce memory access congestion for higher performance. The options are Disabled, Enabled, and **Auto**. This feature is CPU-dependent.

Note: This feature is NOT available when "Workload Profile" is set to I/O or Virtualization.

XPT Prefetch

XPT Prefetch is a feature that speculatively makes a copy to the memory controller of a read request being sent to the LLC. If the read request maps to the local memory address and the recent memory reads are likely to miss the LLC, a speculative read is sent to the local memory controller. The options are Disabled, Enabled, and **Auto**.

Stale AtoS

The in-memory directory has three states: I, A, and S states. The I (-invalid) state indicates that the data is clean and does not exist in the cache of any other sockets. The A (-snoop All) state indicates that the data may exist in another socket in an exclusive or modified state. The S state (-Shared) indicates that the data is clean and may be shared in the caches across one or more sockets. When the system is performing "read" on the memory and if the directory line is in A state, we must snoop all other sockets because another socket may have the line in a modified state. If this is the case, a "snoop" will return the modified data. However, it may be the case that a line "reads" in an A state, and all the snoops come back with a "miss." This can happen if another socket reads the line earlier and then has silently dropped it from its cache without modifying it. If "Stale AtoS" is enabled, a line will transition to the S state when the line in the A state returns only snoop misses. That way, subsequent reads to the line will encounter it in the S state and will not have to snoop, saving the latency and snoop bandwidth. Stale "AtoS" may be beneficial in a workload where there are many cross-socket reads. The options are Disabled, Enabled, and **Auto**.

LLC Dead Line Alloc

Select Enabled to optimally fill the dead lines in the LLC. The options are Disabled, **Enabled**, and Auto.

SLF Enable(R1S)

Use this feature to send B2P command for Pcode SLF Enable programming. This is enabled by default for supported CPU type. The options are **Auto**, Disabled, and Enabled.

Memory Configuration Menu

► Memory Configuration

This submenu is used to configure the Integrated Memory Controller (IMC) settings.

Enforce DDR Memory Frequency POR

Select Enforce POR to enforce Plan of Record (POR) restrictions for DDR memory frequency and voltage programming. The options are **Enforce POR**, Enforce Stretch Goals, and Disabled.

Host Memory Frequency

Use this feature to set the maximum memory frequency for onboard memory modules. The options are **Auto**, 4800, 5200, 5600, 6000, 6400, 7200, and 8000. Please note that the available options are CPU-dependent.

Global Scrambling

Select Enabled to enable data scrambling to enhance system performance and data integrity. The options are Disabled and **Enabled**.

Memory Topology Menu

▶ **Memory Topology**

This submenu displays the information of onboard memory modules as detected by the BIOS, for example:

P1-DIMMA1: 5600MT/s Hynix SRx8 16GB RDIMM

Memory Map Menu

▶ **Memory Map**

Intel(R) Flat Memory Mode Support

Enable this feature to allow hardware-managed data movement between DDR5 and CXL memory, making total memory capacity visible to your system. The options are **Disabled** and **Enabled**.

DDR CXL Heterogeneous Interleave Support

Select **Enabled** to support heterogeneous interleaving for physical DDR5 and CXL memory. The options are **Disabled** and **Enabled**.

Memory RAS Configuration Menu

▶ **Memory RAS Configuration**

Use this submenu to configure the memory mirroring, Reliability Availability Serviceability (RAS) settings.

Mirror Mode

Use this feature to configure the mirror mode settings for all 1LM/2LM memory modules in the system, which will create a duplicate copy of data stored in the memory to increase memory security, but it will reduce the memory capacity into half. The options are **Disabled** and **Full Mirror Mode**.

Note: This feature is available when "UEFI ARM Mirror" is set to **Disabled**.

UEFI ARM Mirror

If this feature is set to **Enabled**, mirror mode configuration settings for UEFI-based Address Range memory will be enabled upon system boot. This will create a duplicate copy of data stored in the memory to increase memory security, but it will reduce the memory capacity into half. The options are **Disabled** and **Enabled**. The Address Range Mirroring (ARM) feature supports partial memory mirroring. This feature is CPU-dependent.

Note: This feature is available when "Mirror Mode" is set to Disabled.

Mirror TAD0

Use this feature to enable the mirror mode on the entire memory for Target Address Decoder 0 (TAD0). The options are **Disabled** and Enabled. This feature is CPU-dependent.

Note: This feature is available when "Mirror Mode" is set to Disabled.

ARM Mirror Percentage (Available when "UEFI ARM Mirror" is set to Enabled)

Use this feature to set the percentage of memory space to be used for UEFI ARM mirroring for memory security enhancement. The default setting is **2500**.

Correctable Error Threshold

Use this feature to specify the threshold value for correctable memory-error logging, which sets a limit on the maximum number of events that can be logged in the memory error log at a given time. The default setting is **512**.

Note: This feature is available when "Memory PFA Support" is set to Disabled.

Leaky Bucket Low Bit

Use this feature to set the Low Bit value for the Leaky Bucket algorithm, which is used to check the data transmissions between CPU sockets and the memory controller. The default setting is **12**.

Leaky Bucket High Bit

Use this feature to set the High Bit value for the Leaky Bucket algorithm, which is used to check the data transmissions between CPU sockets and the memory controller. The default setting is **13**.

ADDDC Sparing (Available when populating 1Rx4, 2Rx4, and 4Rx4 DIMMs and when "Memory PFA Support" is set to Disabled)

Select Enabled for Adaptive Double Device Data Correction (ADDDC) support, which will not only provide memory error checking and correction but will also prevent the system from issuing a performance penalty before a device fails. Note that virtual lockstep mode will only start to work for ADDDC after a faulty DRAM module is spared. The options are Disabled and **Enabled**.

DDR PPR Type

Post Package Repair (PPR) is a new feature available for the DDR4/DDR5 technology. PPR provides additional spare capacity within a DDR4/DDR5 DRAM module that is used to replace faulty cell areas detected during system boot. PPR offers two types of memory repairs. Soft

Post Package Repair (sPPR) provides a quick, temporary fix on a raw element in a bank group of a DDR4/DDR5 DRAM device, while hard Post Package Repair (hPPR) will take a longer time to provide a permanent repair on a raw element. The options are PPR Disabled, **Hard PPR**, and Soft PPR.

Note: This feature is available when "Memory PFA Support" is set to Disabled.

Enhanced PPR

Use this feature to set advanced memory test. Select Enabled to always execute for every boot. The options are **Disabled**, Enabled, and Persistent.

Memory PFA Support (Available when the DCMS key is activated)

Select Enabled to enable memory Predictive Failure Analysis (PFA) support. PFA can be used to avoid uncorrectable faults on the same memory page. The options are **Disabled** and Enabled.

Security Configuration Menu

► Security Configuration

Memory Encryption (TME) [Outputs]

The following information is displayed.

- MSE activation state
- MK-TME activation state
- CI activation state
- Cryptographic Algorithm configured

Memory Encryption (TME) [Inputs]

Memory Encryption (TME)

Select Enabled for Intel Total Memory Encryption (TME) support to enhance memory data security. The options are **Disabled** and Enabled.

Total Memory Encryption Multi-Tenant (TME-MT)

Use this feature to support tenant-provided (SW-provided) keys. The options are **Disabled** and Enabled.

Memory Integrity

Use this feature to enable TME-MT memory integrity protection for memory transactions. The options are **Disabled** and Enabled.

The following information is displayed.

- KEY stock amount
- TME-MT key ID bits

TME Encryption Algorithm

Use this feature to set the TME encryption algorithm. The options are AES-XTS-128 and **AES-XTS-256**.

Trust Domain Extensions (TDX) [Outputs]

The following information is displayed.

- TDX activation state

Trust Domain Extensions (TDX) [Inputs]

Software Guard Extensions (SGX) [Inputs]

The following features are available when your motherboard supports SGX.

Note: To support SGX features, DIMM population must be symmetric across Integrated Memory Controllers (IMCs) and eight DIMMs per socket at least. For each memory controller, populating the first slots (Px-DIMMX1 or DIMMX1 depending on the motherboard design) in all channels is required.

TDX Memory Population for Intel Xeon 6700-Series Processors with E-Cores (1DPC)									
IMC#	IMC7	IMC6	IMC5	IMC4	CPU	IMC0	IMC1	IMC2	IMC3
Channel	DIMMH1	DIMMG1	DIMMF1	DIMME1		DIMMA1	DIMMB1	DIMMC1	DIMMD1
	Slot 1	Slot 1	Slot 1	Slot 1		Slot 1	Slot 1	Slot 1	Slot 1
8	DDR5	DDR5	DDR5	DDR5		DDR5	DDR5	DDR5	DDR5

TDX Memory Population for Intel Xeon 6700/6500-Series Processors with P-Cores (1DPC)									
IMC#	IMC7	IMC6	IMC5	IMC4	CPU	IMC0	IMC1	IMC2	IMC3
Channel	DIMMH1	DIMMG1	DIMMF1	DIMME1		DIMMA1	DIMMB1	DIMMC1	DIMMD1
	Slot 1	Slot 1	Slot 1	Slot 1		Slot 1	Slot 1	Slot 1	Slot 1
8	DDR5	DDR5	DDR5	DDR5		DDR5	DDR5	DDR5	DDR5

Trust Domain Extensions - Connect (TDX Connect) (Available when "Trust Domain Extensions (TDX)" is set to Enabled)

Use this feature to enable Intel TDX Connect support to improve I/O virtualization by removing the need to establish a secure TD-Device transport-level session. The options are **Disabled** and **Enabled**. This feature is CPU-dependent.

TDX Secure Arbitration Mode Loader (SEAM Loader) (Available when your motherboard supports Intel TDX and when "Trust Domain Extensions (TDX)" is set to Enabled)

The SEAM Loader (SEAMLDR) is used to load and update Intel TDX modules into the SEAM memory range by verifying the digital signature. The options are **Disabled** and **Enabled**.

TME-MT/TDX Key Split (Available when "Trust Domain Extensions (TDX)" is set to Enabled)

Use this feature to set the number of bits for TDX. The other bits will be used by TME-MT. The default setting is 1.

The following information is displayed when "Trust Domain Extensions (TDX)" is set to Enabled.

- TME-MT Keys:
- TDX Keys:

 Processor Reserved Memory [Capabilities]

The following information is displayed.

- PRMRR Min Size per domain
- PRMRR Max Size per domain

Processor Reserved Memory [Outputs]

The following information is displayed.

- PRMRR Size per domain
- PRM Size per socket
- PRM Size per system

Software Guard Extensions (SGX) [Outputs]

The following information is displayed when your motherboard supports SGX.

- SGX activation state
- SGX error code [HEX]

Software Guard Extensions (SGX) [Inputs]

The following features are available when your motherboard supports SGX.

Note: To support SGX features, DIMM population must be symmetric across Integrated Memory Controllers (IMCs) and eight DIMMs per socket at least. For each memory controller, populating the first slots (Px-DIMMX1 or DIMMX1 depending on the motherboard design) in all channels is required.

TDX Memory Population for Intel Xeon 6700-Series Processors with E-Cores (1DPC)									
IMC#	IMC7	IMC6	IMC5	IMC4	CPU	IMC0	IMC1	IMC2	IMC3
Channel	DIMMH1	DIMMG1	DIMMF1	DIMME1		DIMMA1	DIMMB1	DIMMC1	DIMMD1
	Slot 1	Slot 1	Slot 1	Slot 1		Slot 1	Slot 1	Slot 1	Slot 1
8	DDR5	DDR5	DDR5	DDR5			DDR5	DDR5	DDR5

TDX Memory Population for Intel Xeon 6700/6500-Series Processors with P-Cores (1DPC)

IMC#	IMC7	IMC6	IMC5	IMC4	CPU	IMC0	IMC1	IMC2	IMC3
Channel	DIMMH1	DIMMG1	DIMMF1	DIMME1		DIMMA1	DIMMB1	DIMMC1	DIMMD1
	Slot 1	Slot 1	Slot 1	Slot 1		Slot 1	Slot 1	Slot 1	Slot 1
8	DDR5	DDR5	DDR5	DDR5		DDR5	DDR5	DDR5	DDR5

SGX Factory Reset

Use this feature to perform an SGX factory reset to delete all registration data and force an Initial Platform Establishment flow. Reboot the system for the changes to take effect. The options are **Disabled** and Enabled.

SW Guard Extensions (SGX)

Use this feature to enable Intel Software Guard Extensions (SGX) support. Intel SGX is a set of extensions that increases the security of application code and data by using enclaves in memory to protect sensitive information. The options are **Disabled** and Enabled.

SGX Package Info In-Band Access

Setting this feature to Enabled is required before the BIOS provides software with the key blobs, which are generated for each CPU package. The options are **Disabled** and Enabled.

SGX PRMRR Size Requested (Available when "SW Guard Extensions (SGX)" is set to Enabled)

Use this feature to set the Processor Reserved Memory Range Register (PRMRR) size. The options are **Auto**, 128M, 256M, 512M, 1G, 2G, 4G, 8G, 16G, 32G, 64G, 128G, 256G, and 512G. Please note that the available options are based on your motherboard features, memory size, and memory map.

SGX QoS (Available when "SW Guard Extensions (SGX)" is set to Enabled)

Use this feature to enable Intel SGX Quality of Service (QoS) support. QoS can enhance network performance by prioritizing network traffic. The options are Disabled and **Enabled**.

Select Owner EPOCH Input Type (Available when "SW Guard Extensions (SGX)" is set to Enabled)

Owner EPOCH is used as a parameter to add personal entropy into the key derivation process. A correct Owner EPOCH is required to have access to personal data previously sealed by other platform users. There are two Owner EPOCH modes. One is New Random Owner EPOCH, and the other is manually entered by the user. Each EPOCH is 64-bit. The options are **SGX Owner EPOCH deactivated**, Change to New Random Owner EPOCHs, and Manual User Defined Owner EPOCHs.

Note: Changing the Owner EPOCH value will lose the data in enclaves.

Software Guard Extensions Epoch 0

Use this feature to enter the EPOCH value. The default setting is **0**.

Note: This feature is available when "SW Guard Extensions (SGX)" is set to Enabled. This feature is NOT available when "Select Owner EPOCH Input Type" is set to SGX Owner EPOCH deactivated.

Software Guard Extensions Epoch 1

Use this feature to enter the EPOCH value. The default setting is **0**.

Note: This feature is available when "SW Guard Extensions (SGX)" is set to Enabled. This feature is NOT available when "Select Owner EPOCH Input Type" is set to SGX Owner EPOCH deactivated.

SGXLEPUBKEYHASHx Write Enable (Available when "SW Guard Extensions (SGX)" is set to Enabled)

Use this feature to enable writes to SGXLEPUBKEYHASH[3..0] from OS/SW. The options are Disabled and **Enabled**. Only those CPUs that support Intel SGX Flexible Launch Control (FLC) feature have SGXLEPUBKEYHASH, which contains the hash of the public key for the SGX Launch Enclave (LE) to be signed with.

SGXLEPUBKEYHASH0 (Available when both "SW Guard Extensions (SGX)" and "SGXLEPUBKEYHASHx Write Enable" are set to Enabled)

Use this feature to enter the bytes 0–7 of SGX Launch Enclave Public Key Hash.

SGXLEPUBKEYHASH1 (Available when both "SW Guard Extensions (SGX)" and "SGXLEPUBKEYHASHx Write Enable" are set to Enabled)

Use this feature to enter the bytes 8–15 of SGX Launch Enclave Public Key Hash.

SGXLEPUBKEYHASH2 (Available when both "SW Guard Extensions (SGX)" and "SGXLEPUBKEYHASHx Write Enable" are set to Enabled)

Use this feature to enter the bytes 16–23 of SGX Launch Enclave Public Key Hash.

SGXLEPUBKEYHASH3 (Available when both "SW Guard Extensions (SGX)" and "SGXLEPUBKEYHASHx Write Enable" are set to Enabled)

Use this feature to enter the bytes 24–31 of SGX Launch Enclave Public Key Hash.

SGX Auto MP Registration (Available when "SW Guard Extensions (SGX)" is set to Enabled)

Use this feature to enable/disable SGX Auto Multi-Package Registration Agent (MPA) running automatically at boot time. The options are **Disabled** and Enabled.

I/O Configuration Menu

► I/O Configuration

PCIe Completion Timeout

Use this feature to set the PCIe completion timeout. The options are 50us to 50ms, 50us to 100us, 1ms to 10ms, 16ms to 55ms, 65ms to 210ms, **260ms to 900ms**, 1s to 3.5s, and Disabled.

PCIe ASPM Support (Global)

Use this feature to disable the Active State Power Management (ASPM) support for all PCIe root ports. The options are **Disabled** and Auto.

PRM Feature Control

Use this feature to enable the Platform Runtime Mechanism (PRM). The PRM is a mechanism to reduce the System Management Mode (SMM) usages and to provide an alternate means to invoke native code through the Advanced Configuration and Power Interface (ACPI) context of runtime events. The options are **Disabled** and Enabled.

Equalization Bypass To Highest Rate

Set this feature to Enabled to reduce the link training time for PCIe 5.0 device by skipping equalization of intermediate data rates. The options are Disabled and **Enabled**.

NVMe Mode Switch

When this feature is set to Auto, VMD support will be automatically enabled when a VROC key is detected by the BIOS. The options are Manual, VMD, and **Auto**.

PCIe PLL SSC

Select Enabled for PCIe Spread Spectrum Clocking (SSC) support, which allows the BIOS to monitor and attempt to reduce the level of electromagnetic interference caused by the components whenever needed. The options are **Disabled** and Enabled.

CPU1 Configuration Menu

► CPU1 Configuration

► **PCI Express 0 / PCI Express 1 / PCI Express 2 / PCI Express 3 / PCI Express 4 / PCI Express 5**

Note: The number of PCIe slots and the slot naming can differ depending on the PCIe devices connected to your motherboard.

Intel VMD Technology

When this feature is set to Enabled, VMD support will be automatically enabled when a VROC key is detected by the BIOS. The options are **Disabled** and Enabled.

Notes:

- This feature is available when "NVMe Mode Switch" is set to Manual.
- After you've enabled VMD in the BIOS on a PCIe slot, this PCIe slot will be dedicated for VMD use only, and it will no longer support any PCIe device. To re-activate this slot for PCIe use, disable VMD in the BIOS.

Bifurcation

This feature is CPU-dependent. Use this feature to configure the PCIe Bifurcation setting for the PCIe port you specified. The options are **Auto**, x4x4x4x4, x4x4x8, x8x4x4, x8x8, and x16.

► PCI Express 5 Port A/Port C/Port E/Port G

Note: The number of PCIe slots and the slot naming can differ depending on the PCIe devices connected to your motherboard.

Requested Link Speed

Use this feature to configure the link speed for the PCIe port you specified. The options are **Auto**, Gen 1 (2.5 GT/s), Gen 2 (5 GT/s), Gen 3 (8 GT/s), Gen 4 (16 GT/s), and Gen 5 (32 GT/s).

The following information is displayed.

- Max Link Width
- Current Link Width
- Current Link Speed

Data Link Feature Exchange

Use this feature to enable data link feature negotiation in the Data Link Feature Capabilities (DLFCAP) register. The options are Disabled and **Enabled**.

PCIe Port Max Payload Size

Use this feature to configure the maximum payload size supported in Direct Media Interface (DMI) device capabilities register for the device installed in the PCIe port. The options are 128B, 256B, 512B, and **Auto**.

MCTP

Enable this feature, Management Component Transport Protocol (MCTP), to support communications between devices in a platform management subsystem. MCTP's underlying device buses include SMBus/I²C, serial links, PCIe, and USB. The options are Disabled and **Enabled**.

Equalization Bypass To Highest Rate

Set this feature to Enabled to reduce the link training time for PCIe 5.0 device by skipping equalization of intermediate data rates. The options are Disabled and **Enabled**.

Intel VMD Technology

When this feature is set to Enabled, VMD support will be automatically enabled when a VROC key is detected by the BIOS. The options are **Disabled** and Enabled.

Intel VT for Directed I/O (VT-d) Menu

► Intel VT for Directed I/O (VT-d)

Note: This submenu is NOT available when "Workload Profile" is set to Virtualization.

Pre-boot DMA Protection

Select Enabled to establish DMA protection during pre-boot processing by setting DMA_CTRL_PLATFORM_OPT_IN_FLAG in the DMAR ACPI table. The options are **Enabled** and Disabled. (DMA is the abbreviation for Direct Memory Access. DMAR is the abbreviation for DMA Remapping Reporting.)

PCIe ACSCTL

Select Enabled to program ACS control to Chipset PCIe Root Port bridges. Select Disabled to program ACS control to all PCIe Root Port bridges. The options are Enabled and **Disabled**.

PCIe Leaky Bucket Configuration Menu

► PCIe Leaky Bucket Configuration

Gen2 Link Degradation

Use this feature to enable PCIe Gen2 link degradation. The options are Disabled and **Enabled**.

Note: The default setting is Enabled when your motherboard supports PCIe Gen2 link. Otherwise, the default setting is Disabled.

Gen3 Link Degradation

Use this feature to enable PCIe Gen3 link degradation. The options are Disabled and **Enabled**.

Note: The default setting is Enabled when your motherboard supports PCIe Gen3 link. Otherwise, the default setting is Disabled.

Gen4 Link Degradation

Use this feature to enable PCIe Gen4 link degradation. The options are Disabled and **Enabled**.

Note: The default setting is Enabled when your motherboard supports PCIe Gen4 link. Otherwise, the default setting is Disabled.

Gen5 Link Degradation

Use this feature to enable PCIe Gen5 link degradation. The options are Disabled and **Enabled**.

Note: The default setting is Enabled when your motherboard supports PCIe Gen5 link. Otherwise, the default setting is Disabled.

Trusted Computing Menu

► Trusted Computing

When the TPM 2.0 (either onboard or external) is detected by your system, the following information is displayed.

- TPM 2.0 Device Found
- Firmware Version:
- Vendor:

Note: This submenu is available when the TPM 2.0 (either onboard or external) is detected by the BIOS.

Security Device Support

Select Enabled to enable BIOS support for onboard security devices, which are not displayed in the OS. If this feature is set to Enabled, TCG EFI protocol and INT1A interface will not be available. The options are Disabled and **Enabled**.

When "Security Device Support" is set to Enabled and the TPM 2.0 (either onboard or external) is detected by the BIOS, the following information is displayed.

- Active PCR banks
- Available PCR banks

Note: The following features are available when the TPM 2.0 (either onboard or external) is detected by the BIOS.

SHA-1 PCR Bank (Available when "Security Device Support" is set to Enabled)

Select Enabled to enable SHA-1 PCR Bank support to enhance system integrity and data security. The options are Disabled and **Enabled**.

SHA256 PCR Bank (Available when "Security Device Support" is set to Enabled)

Select Enabled to enable SHA256 PCR Bank support to enhance system integrity and data security. The options are Disabled and **Enabled**.

SHA384 PCR Bank (Available when "Security Device Support" is set to Enabled)

Select Enabled to enable SHA384 PCR Bank support to enhance system integrity and data security. The options are **Disabled** and Enabled.

Pending Operation (Available when "Security Device Support" is set to Enabled)

Use this feature to schedule a TPM-related operation to be performed by the security TPM (either onboard or external) at the next system boot to enhance system data integrity. The options are **None** and TPM Clear.

Note: If this feature is used, your system will reboot to carry out a pending TPM operation.

Platform Hierarchy (Available when "Security Device Support" is set to Enabled)

Select Enabled for TPM Platform Hierarchy support, which allows the manufacturer to utilize the cryptographic algorithm to define a constant key or a fixed set of keys to be used for initial system boot. These early boot codes are shipped with the platform and are included in the list of "public keys." During system boot, the platform firmware uses the trusted public keys to verify a digital signature in an attempt to manage and control the security of the platform firmware used in a host system via the TPM (either onboard or external). The options are Disabled and **Enabled**.

Storage Hierarchy (Available when "Security Device Support" is set to Enabled)

Select Enabled for TPM Storage Hierarchy support that is intended to be used for non-privacy-sensitive operations by a platform owner such as an IT professional or the end user. Storage Hierarchy has an owner policy and an authorization value, both of which can be set and are held constant (-rarely changed) through reboots. This hierarchy can be cleared or changed independently of the other hierarchies. The options are Disabled and **Enabled**.

Endorsement Hierarchy (Available when "Security Device Support" is set to Enabled)

Select Enabled for Endorsement Hierarchy support, which contains separate controls to address the user's privacy concerns because the primary keys in the hierarchy are certified by the TPM key or by a manufacturer with restrictions on how an authentic TPM (either onboard or external) that is attached to an authentic platform can be accessed and used. A primary key can be encrypted and certified with a certificate created by using TPM2_ActivateCredential, which allows the user to independently enable "flag, policy, and authorization values" without involving other hierarchies. A user with privacy concerns can disable the endorsement hierarchy while still using the storage hierarchy for TPM applications, permitting the platform software to use the TPM. The options are Disabled and **Enabled**.

PH Randomization

Select Enabled for Platform Hierarchy (PH) Randomization support, which is used only during the platform developmental stage. This feature cannot be enabled in the production platforms. The options are **Disabled** and Enabled.

Supermicro BIOS-Based TPM Provision Support

Set this feature to Enabled to unlock the TPM. Save settings and exit the BIOS Setup utility. The Non-volatile (NV) indexes can be deleted after the system reboot. The options are **Disabled** and Enabled.

ACPI Settings Menu

▶ ACPI Settings

NUMA

Use this feature to enable Non-Uniform Memory Access (NUMA) support to minimize memory access latencies. The options are Disabled and **Enabled**. This feature is CPU-dependent.

Virtual NUMA

Enable this feature to optimize the memory-access performance for VMware virtual machines. The options are **Disabled** and Enabled.

Number of Virtual NUMA Nodes (Available when "Virtual NUMA" is set to Enabled)

This feature displays the number of virtual NUMA nodes. A NUMA architecture divides hardware resources (including processors, memory, and I/O buses) into groups, called NUMA nodes. This feature indicates the available number of virtual NUMA nodes that can be assigned to the virtual machine. By default, this setting is automatically adjusted to match the physical NUMA topology.

WHEA Support

Select Enabled to support the Windows Hardware Error Architecture (WHEA) platform and provide a common infrastructure for the system to handle hardware errors within the Windows OS environment to reduce system crashes and to enhance system recovery and health monitoring. The options are Disabled and **Enabled**.

Super IO Configuration Menu

► Super IO Configuration

The following information is displayed.

- Super IO Chip

Note: This submenu is available when your system supports this feature.

Serial Port 1 Configuration Menu

► Serial Port 1 Configuration

Serial Port 1

Select Enabled to enable serial port 1. The options are Disabled and **Enabled**.

Device Settings (Available when "Serial Port 1" above is set to Enabled)

This feature displays the base I/O port address and the Interrupt Request address of serial port 1.

Change Settings (Available when "Serial Port 1" above is set to Enabled)

Use this feature to specify the base I/O port address and the Interrupt Request address of serial port 1. Select Auto for the BIOS to automatically assign the base I/O and IRQ address to serial port 1. The options are **Auto**, (IO=3F8h; IRQ=4;), (IO=3F8h; IRQ=3,4,5,6,7,9,10,11,12;), (IO=2F8h; IRQ=3,4,5,6,7,9,10,11,12;), (IO=3E8h; IRQ=3,4,5,6,7,9,10,11,12;), and (IO=2E8h; IRQ=3,4,5,6,7,9,10,11,12;).

Serial Port 2 Configuration Menu

► Serial Port 2 Configuration

Note: It can be "Serial Port 2 Configuration" or "SOL Configuration" based on your system support.

Serial Port 2/SOL ("Serial Port 2" or "SOL" based on your system support)

Select Enabled to enable serial port 2 (or SOL). The options are Disabled and **Enabled**.

Device Settings (Available when "Serial Port 2/SOL" above is set to Enabled)

This feature displays the base I/O port address and the Interrupt Request address of serial port 2 (or SOL).

Change Settings (Available when "Serial Port 2/SOL" above is set to Enabled)

Use this feature to specify the base I/O port address and the Interrupt Request address of serial port 2 (or SOL). Select Auto for the BIOS to automatically assign the base I/O and IRQ address to serial port 2 (or SOL). The options are **Auto**, (IO=2F8h; IRQ=3;), (IO=3F8h; IRQ=3,4,5,6,7,9,10,11,12;), (IO=2F8h; IRQ=3,4,5,6,7,9,10,11,12;), (IO=3E8h; IRQ=3,4,5,6,7,9,10,11,12;), and (IO=2E8h; IRQ=3,4,5,6,7,9,10,11,12;).

Serial Port 2 Attribute (Available for Serial Port 2 only)

Select SOL to use serial port 2 as a Serial Over LAN (SOL) port for console redirection. The options are **SOL** and **COM**.

Serial Port Console Redirection Menu

► Serial Port Console Redirection

COM1 (Available when your system supports the serial port of COM1)**Console Redirection**

Select Enabled to enable COM port 1 for Console Redirection, which allows a client machine to be connected to a host machine at a remote site for networking. The options are **Disabled** and **Enabled**.

Note: This feature will be set to Enabled if there is no BMC support.

SOL/COM2

Note: This feature is available when your system supports serial port of SOL and/or COM2. The "SOL/COM2" here indicates a shared serial port, and SOL is used as the default.

Console Redirection

Select Enabled to use the SOL/COM2 port for Console Redirection. The options are **Disabled** and **Enabled**.

► Console Redirection Settings

Note: This submenu is available when "Console Redirection" for COM1 or SOL/COM2 is set to Enabled.

Terminal Type

Use this feature to select the target terminal emulation type for Console Redirection. Select VT100 to use the ASCII Character set. Select VT100+ to add color and function key support. Select ANSI to use the Extended ASCII Character Set. Select VT-UTF8 to use UTF8 encoding to map Unicode characters into one or more bytes. The options are VT100, **VT100+**, VT-UTF8, and ANSI.

Bits Per Second

Use this feature to set the transmission speed for a serial port used in Console Redirection. Make sure that the same speed is used in the host computer and the client computer. A lower transmission speed may be required for long and busy lines. The options are 9600, 19200, 38400, 57600, and **115200** (bits per second).

Data Bits

Use this feature to set the data transmission size for Console Redirection. The options are 7 and 8 (bits).

Parity

A parity bit can be sent along with regular data bits to detect data transmission errors. Select Even if the parity bit is set to 0 and the number of 1s in data bits is even. Select Odd if the parity bit is set to 0 and the number of 1s in data bits is odd. Select None if you do not want to send a parity bit with your data bits in transmission. Select Mark to add a mark as a parity bit to be sent along with the data bits. Select Space to add a space as a parity bit to be sent with your data bits. The options are **None**, Even, Odd, Mark, and Space.

Stop Bits

A stop bit indicates the end of a serial data packet. Select 1 (stop bit) for standard serial data communication. Select 2 (stop bits) if slower devices are used. The options are 1 and 2.

Flow Control

Use this feature to set the flow control for Console Redirection to prevent data loss caused by buffer overflow. Send a "Stop" signal to stop sending data when the receiving buffer is full. Send a "Start" signal to start sending data when the receiving buffer is empty. The options are **None** and Hardware RTS/CTS.

VT-UTF8 Combo Key Support

Select Enabled to enable VT-UTF8 Combination Key support for ANSI/VT100 terminals. The options are Disabled and **Enabled**.

Recorder Mode

Select Enabled to capture the data displayed on a terminal and send it as text messages to a remote server. The options are **Disabled** and Enabled.

Resolution 100x31

Select Enabled for extended-terminal resolution support. The options are Disabled and **Enabled**.

Putty KeyPad

Use this feature to select function key and keypad settings on Putty, which is a terminal emulator designed for the Windows OS. The options are **VT100**, LINUX, XTERMR6, SCO, ESCN, and VT400.

► Console Redirection Settings

Note: This submenu is available when "Console Redirection EMS" is set to Enabled.

Out-of-Band Mgmt Port

The feature selects a serial port in a client server to be used by the Microsoft Windows Emergency Management Services (EMS) to communicate with a remote host server. The options are **COM1** and SOL/COM2. Please note that the option of SOL/COM2 indicates a shared serial port. SOL is available with BMC support.

Terminal Type EMS

Use this feature to select the target terminal emulation type for Console Redirection. Select VT100 to use the ASCII character set. Select VT100+ to add color and function key support. Select ANSI to use the extended ASCII character set. Select VT-UTF8 to use UTF8 encoding to map Unicode characters into one or more bytes. The options are VT100, VT100+, **VT-UTF8**, and ANSI.

Bits Per Second EMS

This feature sets the transmission speed for a serial port used in Console Redirection. Make sure that the same speed is used in the host computer and the client computer. A lower transmission speed may be required for long and busy lines. The options are 9600, 19200, 57600, and **115200** (bits per second).

Flow Control EMS

Use this feature to set the flow control for Console Redirection to prevent data loss caused by buffer overflow. Send a "Stop" signal to stop sending data when the receiving buffer is full. Send a "Start" signal to start sending data when the receiving buffer is empty. The options are **None**, Hardware RTS/CTS, and Software Xon/Xoff.

The following information is displayed.

- **Data Bits EMS**
- **Parity EMS**
- **Stop Bits EMS**

Network Stack Configuration Menu

► Network Stack Configuration

Network Stack

Select Enabled to enable Preboot Execution Environment (PXE) or Unified Extensible Firmware Interface (UEFI) for network stack support. The options are Disabled and **Enabled**.

IPv4 PXE Support (Available when "Network Stack" is set to Enabled)

Select Enabled to enable IPv4 PXE boot support. If this feature is disabled, it will not create the IPv4 PXE boot option. The options are Disabled and **Enabled**.

IPv4 HTTP Support (Available when "Network Stack" is set to Enabled)

Select Enabled to enable IPv4 HTTP boot support. If this feature is disabled, it will not create the IPv4 HTTP boot option. The options are **Disabled** and Enabled.

IPv6 PXE Support (Available when "Network Stack" is set to Enabled)

Select Enabled to enable IPv6 PXE boot support. If this feature is disabled, it will not create the IPv6 PXE boot option. The options are Disabled and **Enabled**.

IPv6 HTTP Support (Available when "Network Stack" is set to Enabled)

Select Enabled to enable IPv6 HTTP boot support. If this feature is disabled, it will not create the IPv6 HTTP boot option. The options are **Disabled** and Enabled.

PXE Boot Wait Time (Available when "Network Stack" is set to Enabled)

Use this feature to set the wait time (in seconds) upon which the system BIOS will wait for you to press the <ESC> key to abort PXE boot instead of proceeding with PXE boot by connecting to a network server immediately. Press the <+> or <-> key on your keyboard to change the value. The default setting is **0**.

Media Detect Count (Available when "Network Stack" is set to Enabled)

Use this feature to set the wait time (in seconds) for the BIOS ROM to detect the presence of a LAN media either via the Internet connection or via a LAN port. Press the <+> or <-> key on your keyboard to change the value. The default setting is **1**.

MAC:(MAC address)-IPv4 Network Configuration Menu

▶ MAC:(MAC address)-IPv4 Network Configuration

Configured

Enable this feature to configure network addresses for DHCP, local IP address, local netmask, local gateway, and local DNS server. The options are **Disabled** and **Enabled**.

Enable DHCP (Available when "Configured" is set to Enabled)

Select **Enabled** to support Dynamic Host Configuration Protocol (DHCP), which allows the BIOS to search for a DHCP server attached to the network and request the next available IP address for this computer. The options are **Disabled** and **Enabled**.

Local IP Address (Available when "Configured" is set to Enabled and "Enable DHCP" is set to Disabled)

Use this feature to enter an IP address for the local machine.

Local NetMask (Available when "Configured" is set to Enabled and "Enable DHCP" is set to Disabled)

Use this feature to set the netmask for the local machine.

Local Gateway (Available when "Configured" is set to Enabled and "Enable DHCP" is set to Disabled)

Use this feature to set the gateway address for the local machine.

Local DNS Servers (Available when "Configured" is set to Enabled and "Enable DHCP" is set to Disabled)

Use this feature to set the Domain Name System (DNS) server address for the local machine.

Save Changes and Exit

Press <Enter> to save changes and exit.

MAC:(MAC address)-IPv6 Network Configuration Menu

▶ MAC:(MAC address)-IPv6 Network Configuration

▶ Enter Configuration Menu

The following information is displayed.

- Interface Name
- Interface Type
- MAC address

- Host address
- Route Table
- Gateway addresses
- DNS addresses

Interface ID

Use this feature to change/enter the 64-bit alternative interface ID for the device. The string format is colon separated. The default setting is the MAC address above.

DAD Transmit Count

Use this feature to set the number of consecutive neighbor solicitation messages that have been sent while performing duplicate address detection on a tentative address. The default setting is **1**.

Policy

Use this feature to select how the policy is to be configured. The options are **automatic** and **manual**.

► Advanced Configuration

Note: This submenu is available when "Policy" is set to manual.

New IPv6 address: Use this feature to enter the IPv6 address for the local machine.

New Gateway addresses: Use this feature to set the gateway address for the local machine.

New DNS addresses: Use this feature to set the DNS server address for the local machine.

Commit Changes and Exit: Press <Enter> to save changes and exit.

Discard Changes and Exit: Press <Enter> to discard changes and exit.

Save Changes and Exit

Press <Enter> to save changes and exit.

PCIe/PCI/PnP Configuration Menu

► PCIe/PCI/PnP Configuration

The following information is displayed.

- PCI Bus Driver Version

PCI Devices Common Settings:

Re-Size BAR Support

Use this feature to enable the Resizable BAR support. Resizable BAR is a PCIe interface technology that allows the CPU to access the entire frame buffer. With this technology, your system will be able to handle multiple CPU to GPU transfers simultaneously rather than queuing, which can improve the frame rate performance. The options are **Disabled** and **Enabled**.

SR-IOV Support (Unavailable when "Workload Profile" is set to Virtualization)

Select **Enabled** for Single-Root IO Virtualization support. The options are **Disabled** and **Enabled**.

ARI Support

Select **Enabled** for Alternative Routing-ID Interpretation (ARI) support. The options are **Disabled** and **Enabled**.

MMCFG Base

This feature determines how the lowest Memory Mapped Configuration (MMCFG) base is assigned to onboard PCI devices. The options are 1G, 1.5G, 1.75G, 2G, 2.25G, 3G, and **Auto**. The options of 2G and 2.25G are not available when the MMCFG size is 2G. The option of 3G is not available when the MMCFG size is 1G or 2G.

MMCFG Size

Use this feature to set the MMCFG size. The options are 64M, 128M, 256M, 512M, 1G, 2G, and **Auto**. Note that the MMCFG size is based on the memory populated.

MMIO High Base

Use this feature to select the base memory size according to memory-address mapping for the I/O hub. The options are 248T, 120T, 88T, 60T, 30T, 56T, 40T, 32T, 24T, 16T, 4T, 2T, 1T, 512G, 3584T, and **Auto**. The options of 248T, 120T, 88T, 60T, 30T, and 3584T are CPU-dependent.

MMIO High Granularity Size

Use this feature to select the high memory size according to memory-address mapping for the I/O hub. The options are 1G, 4G, 16G, 32G, 64G, 256G, and **1024G**. This feature is motherboard-dependent.

Bus Master Enable

If this feature is set to **Enabled**, the PCI Bus Driver will enable the Bus Master Attribute for DMA transactions. If this feature is set to **Disabled**, the PCI Bus Driver will disable the Bus Master Attribute for Pre-Boot DMA protection. The options are **Disabled** and **Enabled**.

NVMe Firmware Source

Use this feature to select the NVMe firmware to support system boot. The options are Vendor Defined Firmware and **AMI Native Support**. The option of Vendor Defined Firmware is pre-installed on the drive and may resolve errata or enable innovative functions for the drive. The default option, AMI Native Support, is offered by the BIOS with a generic method.

VGA Priority

Use this feature to select the graphics device to be used as the primary video display for system boot. The options are **Onboard** and Offboard.

Onboard Video Option ROM

Select EFI to boot the computer using the Extensible Firmware Interface (EFI) device installed on the onboard video port. The options are Disabled and **EFI**.

PCI / PCIX / PCIe Slot 1–6 OPROM / M.2-C1 / M.2 C-2 / Onboard NVMe1 Option ROM / Onboard NVMe2 Option ROM / Onboard NVMe3 Option ROM / Onboard NVMe4 Option ROM

Note: The number of slots and slot naming vary based on your motherboard features.

Select EFI to boot the computer using the EFI device installed on the PCIe slot specified. The options are Disabled and **EFI**.

Onboard LAN1 Option ROM

Select EFI to boot the computer using the EFI device installed on LAN port 1. The options are Disabled and **EFI**.

Note: This feature is available when your motherboard supports onboard LAN ports.

HTTP Boot Configuration Menu

► HTTP Boot Configuration

HTTP Boot Policy

Use this feature to set the HTTP boot policy. The options are Apply to all LANs, **Apply to each LAN**, and Boot Priority #1 instantly.

HTTPS Boot Checks Hostname

Important: Disabling "HTTPS Boot Checks Hostname" is a violation of RFC 6125 and may expose you to Man-in-the-Middle Attacks. Supermicro is not responsible for any and all security risks incurred by you disabling this feature.

Enable this feature for HTTPS boot to check the hostname of the TLS certificates to see if it matches the host name provided by the remote server. The options are **Enabled** and Disabled (WARNING: Security Risk!!).

Priority of HTTP Boot

Instance of Priority 1: (Available when your motherboard supports this feature)

This feature sets the rank target port. The default setting is **1**.

Select IPv4 or IPv6

This feature specifies which connection the target LAN port should boot from. The options are **IPv4** and IPv6.

Boot Description

Use this feature to enter a boot description, which cannot be longer than 75 characters. Please be sure to enter a boot description; otherwise, the boot option for the URI cannot be created.

Boot URI

Enter a Boot Uniform Research Identifier (URI) with 128 characters or shorter. This Boot URI determines how IPv4 Boot Option and IPv6 Boot Option will be created.

Instance of Priority 2: (Available when your motherboard supports this feature)

This feature sets the rank target port. The default setting is **0**.

Select IPv4 or IPv6 (Unavailable when "Instance of Priority 2:" above is set to 0)

This feature specifies which connection the target LAN port should boot from. The options are **IPv4** and IPv6.

Boot Description (Unavailable when "Instance of Priority 2:" above is set to 0)

Use this feature to enter a boot description, which cannot be longer than 75 characters. Please be sure to enter a boot description; otherwise, the boot option for the URI cannot be created.

Boot URI (Unavailable when "Instance of Priority 2:" above is set to 0)

Enter a Boot URI with 128 characters or shorter. This Boot URI determines how IPv4 Boot Option and IPv6 Boot Option will be created.

Supermicro KMS Server Configuration Menu

► Supermicro KMS Server Configuration

Note: Be sure to configure all the features in the submenu of Supermicro KMS Server Configuration and the feature of "KMS Security Policy" in the submenu of Super-Guardians Configuration so that your system can communicate with the KMS server.

Supermicro KMS Server IP address

Use this feature to set the Supermicro Key Management Service (KMS) server IPv4 address in dotted-decimal notation.

Second Supermicro KMS Server IP address

Use this feature to set the second Supermicro KMS server IPv4 address in dotted-decimal notation.

Supermicro KMS TCP Port number

Use this feature to set the TCP port number used in the Supermicro KMS server. The valid range is 100–9999. The default setting is **5696**. Do not change the default setting unless a different TCP port number has been specified and used in the Supermicro KMS server.

KMS Time Out

Use this feature to enter the KMS server connecting time-out (in seconds). The default setting is **5** (seconds).

TimeZone

Use this feature to set the correct time zone. The default setting is **0** (not specified).

Client UserName

Press <Enter> to set the client identity (UserName). The length is 0–63 characters.

Client Password

Press <Enter> to set the client identity (Password). The length is 0–31 characters.

► CA Certificate

► Client Certificate

► Client Private Key

Use the three features above to enroll factory defaults or load the KMS Transport Layer Security (TLS) certificates, which are generated by the KMS server, from the file stored in the USB flash drive as shown below.



Private Key Password (Available when "Client Private Key" above has been set)

Use this feature to change the private key password.

Super-Guardians Configuration Menu

▶ Super-Guardians Configuration

Super-Guardians Protection Policy

Use this feature to enable the Super-Guardians Protection Policy. The options are **Storage**, **System**, and **System and Storage**. Set this feature to **Storage** to protect and have secure access to the Trusted Computing Group (TCG) NVMe devices with the Authentication-Key (AK). Set this feature to **System** to protect and have secure access to your system/motherboard with the AK. Set this feature to **System and Storage** to protect and have secure access to your system/motherboard/storage devices with the AK.

KMS Security Policy (Available when "TPM Security Policy" and "USB Security Policy" are set to Disabled)

Set this feature to Enabled to enable the KMS Security Policy. When this feature has not previously been set to Enabled, the options are **Disabled** and Enabled. Changes take effect after you save settings and reboot the system.

When this feature has previously been set to Enabled, the options are **Enabled**, Reset, and Key Rotation. Set this feature to Key Rotation to obtain an existing AK from the KMS server and create a new AK. To disable the KMS Security Policy, set this feature to Reset. When this feature is set to Reset, the system and TCG NVMe devices chosen in "Super-Guardians Protection Policy" will be in the unprotected mode.

Notes:

- Be sure that the KMS server is ready before configuring this feature.
- Use the professional KMS server solutions (e.g., Thales Server) or the Supermicro PyKMIP Software Package to establish the KMS server.

KMS Server Retry Count (Available when "TPM Security Policy" and "USB Security Policy" are set to Disabled)

Use this feature to specify how many times the system will attempt reconnecting to the KMS server. The valid range is 0–10. Press the <+> or <-> key on your keyboard to change the value. The default setting is **5**. If the value is 0, the system will retry infinitely.

TPM Security Policy (Available when "KMS Security Policy" and "USB Security Policy" are set to Disabled)

Set this feature to Enabled to enable the TPM Security Policy. When this feature has not previously been set to Enabled, the options are **Disabled** and Enabled. Changes take effect after you save settings and reboot the system.

When this feature has previously been set to Enabled, the options are **Enabled** and Reset. To disable the TPM Security Policy, set this feature to Reset. When this feature is set to Reset, the system and TCG NVMe devices chosen in "Super-Guardians Protection Policy" will be in the unprotected mode.

Load Authentication-Key (Available when "KMS Security Policy," "TPM Security Policy," and "USB Security Policy" are set to Disabled)

The options are **Disabled** and Enabled. Set this feature to Enabled. Changes take effect after you save settings and reboot the system. While booting, the BIOS will automatically load the Authentication-Key (filename: TPMAuth.bin) from the USB flash drive. Afterwards, the default setting will be set to Disabled by the BIOS.

Notes:

- Be sure to connect a USB flash drive with the Authentication-Key (filename: TPMAuth.bin) to your system before the system reboot.
- Be sure to save the Authentication-Key (filename: TPMAuth.bin) to the USB flash drive and keep a backup. Load the Authentication-Key (filename: TPMAuth.bin) after the TPM (either onboard or external) is detected by your system. Otherwise, the TPM function can not work properly.

Save Authentication-Key (Available when "TPM Security Policy" is set to Enabled)

The options are **Disabled** and Enabled. Set this feature to Enabled. Changes take effect after you save settings and reboot the system. While booting, the BIOS will automatically save the Authentication-Key (filename: TPMAuth.bin) to the USB flash drive. Afterwards, the default setting will be set to Disabled by the BIOS.

Note: Be sure to connect a USB flash drive to your system before the system reboot.

USB Security Policy (Available when "KMS Security Policy" and "TPM Security Policy" are set to Disabled)

Use this feature to enable the USB Security Policy. The options are **Disabled** and Enabled. Set this feature to Enabled. Changes take effect after you save settings and reboot the system. Connect a USB flash drive to your system before the system reboot. While booting, the BIOS will automatically create the USB Authentication-Key (filename: USBAuth.bin) and save it to the USB flash drive.

When this feature has been previously set to Enabled, the options are **Enabled** and Reset. To disable the USB Security Policy, set this feature to Reset. When this feature is set to Reset, the system and TCG NVMe devices chosen in "Super-Guardians Protection Policy" will be in the unprotected mode.

Note: Be sure to connect a USB flash drive to your system before configuring this feature. Save the USB Authentication-Key (filename: USBAuth.bin) to the USB flash drive and keep a backup.

System Diagnostics Configuration Menu

► System Diagnostics Configuration

Launch System Diagnostics

Set this feature to Launch Once to launch system diagnostics on next system boot. The options are **Disabled** and Launch Once.

Note: Pressing <F7> during system bootup can also launch system diagnostics.

Intel(R) Ethernet Controller Menu

► Intel(R) Ethernet Controller (Ethernet controller) - (MAC address)

Notes:

- The Ethernet controller and MAC address shown above are based on your system features.
- This submenu is available when "Onboard LAN1 Option ROM" is set to EFI.

► Firmware Image Properties

The following information is displayed.

- Option ROM version
- Unique NVM/EEPROM ID
- NVM Version

► NIC Configuration

Link Speed

Use this feature to set the connection speed of a selected LAN port. The options are **Auto Negotiated**, 10 Mbps Half, 10 Mbps Full, 100 Mbps Half, and 100 Mbps Full.

Wake On LAN

Set this feature to support system wake-up via the selected LAN port. If this feature is set to Enabled, the LAN port selected will be enabled when the system is powered on. The options are Disabled and **Enabled**.

Legacy Virtual LAN ID

This feature specifies the VLAN ID used for PXE VLAN Mode. The valid VLAN ID range is from 10 to 4094. PXE VLAN is disabled if the VLAN ID is set to 0.

Note: This setting is only applicable when the System ROM boots in Legacy BIOS Mode.

Blink LEDs

Use this feature to identify the physical network port by blinking the associated LED. The default setting is **0** (up to 15 seconds).

The following information is displayed.

- UEFI Driver
- Adapter PBA
- Device Name
- Chip Type
- PCI Device ID
- PCI Address
- Link Status
- MAC Address
- Virtual MAC Address

TLS Authenticate Configuration Menu

▶ TLS Authenticate Configuration

Use this submenu to configure Transport Layer Security (TLS) settings.

▶ Server CA Configuration

Use this feature to configure the client certificate that is to be used by the server.

▶ Enroll Certification

Use this feature to enroll the certificate in the system.

▶ Enroll Certification Using File

Use this feature to enroll the security certificate in the system by using a file.

▶ Commit Changes and Exit

Use this feature to save all changes and exit TLS settings.

▶ Discard Changes and Exit

Use this feature to discard all changes and exit TLS settings.

▶ Delete Certification

Use this feature to delete the certificate if a certificate has been enrolled in the system.

▶ Client Certification Configuration

Asmedia AHCI Controller

▶ Asmedia AHCI Controller

The following information is displayed.

- SATA Port 0
- SATA Port 1
- SATA Port 2
- SATA Port 3

Driver Health Menu

▶ Driver Health

This feature displays the health information of the drivers installed in your system, including LAN controllers, as detected by the BIOS. Select one and press <Enter> to see the details.

Note: This section is provided for reference only, for the driver health status will differ depending on the drivers installed in your system. It's also based on your system configuration and the environment that your system is operating in.

4.4 Event Logs

Use this menu to configure Event Logs settings.

Note: After making any changes in this section, please be sure to reboot the system for the changes to take effect.

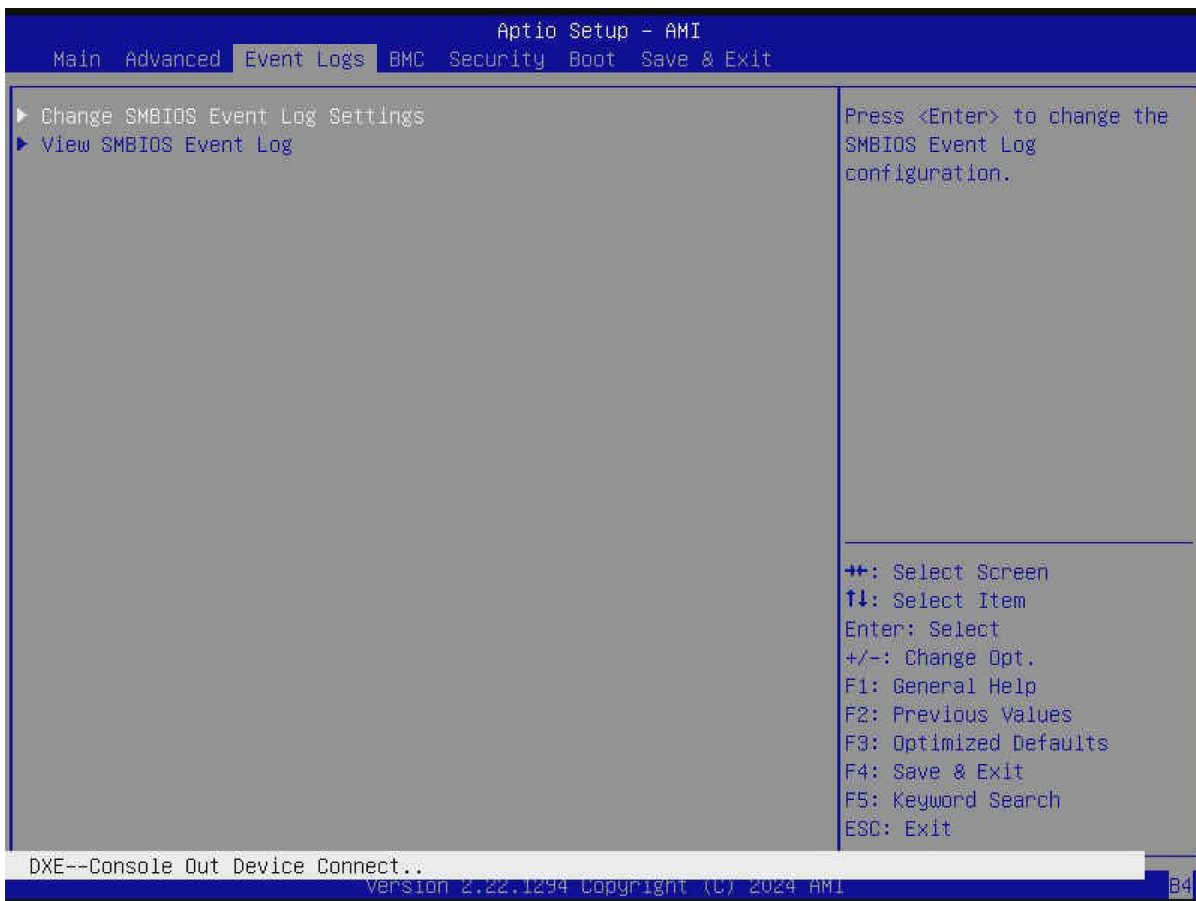


Figure 4-3. Event Logs Screen

► Change SMBIOS Event Log Settings

Note: Reboot the system for the changes in this section to take effect.

Enabling/Disabling Options

SMBIOS Event Log

Select Enabled to enable System Management BIOS (SMBIOS) Event Logging during system boot. The options are Disabled and **Enabled**.

Erasing Settings

Erase Event Log (Available when "SMBIOS Event Log" is set to Enabled)

Select No to keep the event log without erasing it upon next system bootup. Select (Yes, Next reset) to erase the event log upon next system reboot. The options are **No**, (Yes, Next reset), and (Yes, Every reset).

When Log is Full (Available when "SMBIOS Event Log" is set to Enabled)

Select Erase Immediately to immediately erase all errors in the SMBIOS event log when the event log is full. Select Do Nothing for the system to do nothing when the SMBIOS event log is full. The options are **Do Nothing** and Erase Immediately.

SMBIOS Event Log Standard Settings

Log System Boot Event (Available when "SMBIOS Event Log" is set to Enabled)

Select Enabled to log system boot events. The options are Enabled and **Disabled**.

MECI (Available when "SMBIOS Event Log" is set to Enabled)

Enter the increment value for the multiple event counter. Enter a number between 1 and 255. The default setting is **1**. (MECI is the abbreviation for Multiple Event Count Increment.)

METW (Available when "SMBIOS Event Log" is set to Enabled)

Use this feature to determine how long (in minutes) should the multiple event counter wait before generating a new event log. Enter a number between 0 and 99. The default value is **60**. (METW is the abbreviation for Multiple Event Count Time Window.)

► View SMBIOS Event Log

Use this feature to view the event in the system event log. Select this feature and press <Enter> to view the status of an event in the log. The following information is displayed: DATE / TIME / ERROR CODE / SEVERITY.

4.5 BMC

Use this menu to configure Baseboard Management Console (BMC) settings.

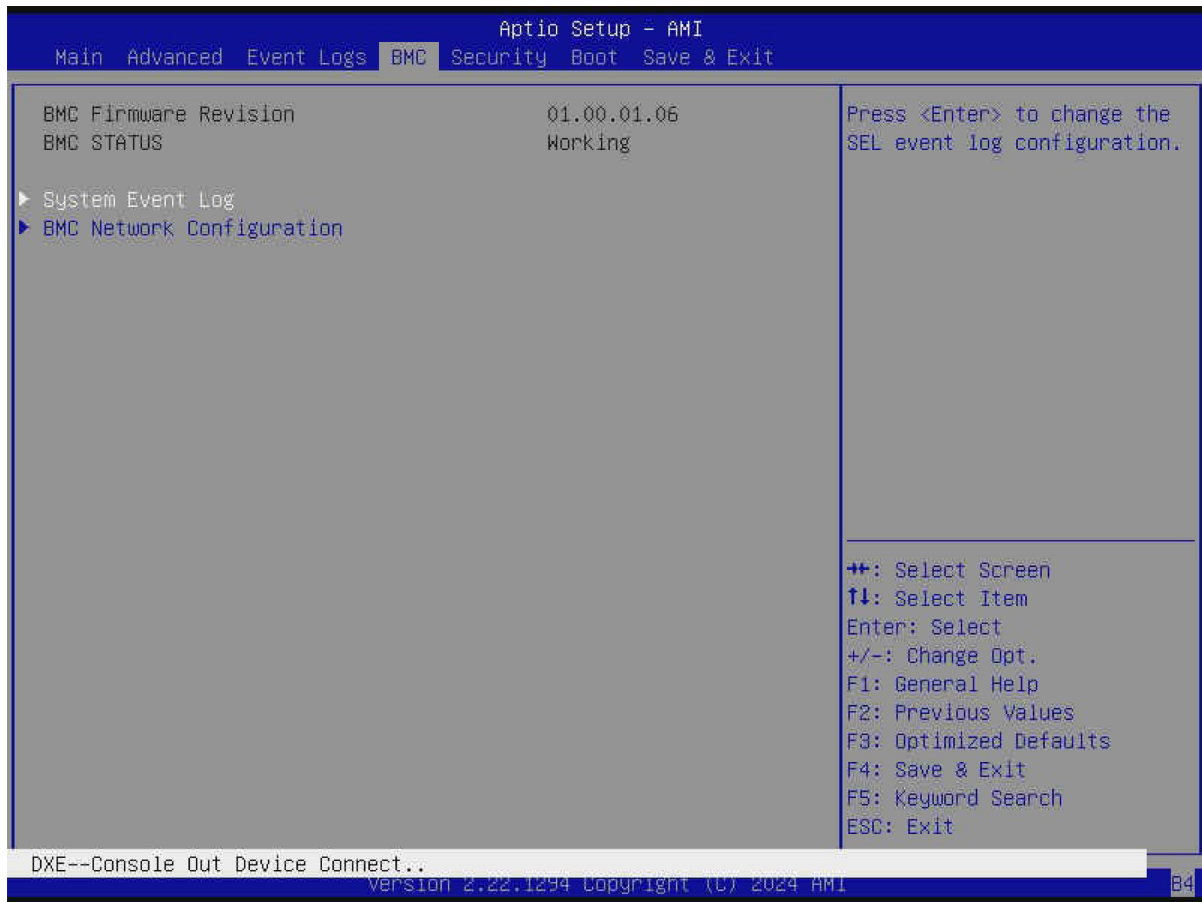


Figure 4-4. BMC Screen

BMC Firmware Revision

This feature indicates the BMC firmware revision used in this system.

BMC STATUS

This feature indicates the status of the BMC firmware installed in this system.

System Event Log Menu

► System Event Log

Note: All values changed in this submenu do not take effect until computer is restarted.

Enabling/Disabling Options

SEL Components

Select Enabled to enable all system event logging upon system boot. The options are Disabled and **Enabled**.

Erasing Settings

Erase SEL (Available when "SEL Components" is set to Enabled)

Select (Yes, On next reset) to erase all system event logs upon next system boot. Select (Yes, On every reset) to erase all system event logs upon each system reboot. Select No to keep all system event logs after each system reboot. The options are **No**, (Yes, On next reset), and (Yes, On every reset).

When SEL is Full (Available when "SEL Components" is set to Enabled)

This feature defines what the BIOS should do when the system event log is full. Select Erase Immediately to erase all events in the log when the system event log is full. The options are **Do Nothing** and Erase Immediately.

BMC Network Configuration Menu

► BMC Network Configuration

Update BMC LAN Configuration

Select Yes for the BIOS to implement all IP/MAC address changes upon next system boot. The options are **No** and Yes.

Configure IPv4 Support

BMC LAN Selection

This feature displays the type of the BMC LAN.

BMC Network Link Status:

This feature displays the status of the BMC network link for this system.

Configuration Address Source (Available when "Update BMC LAN Configuration" is set to Yes)

Use this feature to select the source of the IPv4 connection. If Static is selected, note the IP address of the IPv4 connection and enter it to the system manually in the field. If DHCP is

selected, the BIOS will search for a Dynamic Host Configuration Protocol (DHCP) server in the network that is attached to and request the next available IP address for this computer. The options are Static and **DHCP**.

Station IP Address

This feature displays the Station IP address in decimal and in dotted quad form (i.e., 172.29.176.131). It is available for configuration when "Configuration Address Source" above is set to Static.

Subnet Mask

This feature displays the sub-network that this computer belongs to. It is available for configuration when "Configuration Address Source" above is set to Static.

Station MAC Address

This feature displays the Station MAC address for this computer. MAC addresses are six two-digit hexadecimal numbers.

Gateway IP Address

This feature displays the Gateway IP address for this computer. This should be in decimal and in dotted quad form (i.e., 172.29.0.1). It is available for configuration when "Configuration Address Source" above is set to Static.

Configure IPv6 Support

IPv6 Address Status

This feature displays the status of the IPv6 address.

IPv6 Support (Available when "Update BMC LAN Configuration" is set to Yes)

Use this feature to enable IPv6 support. The options are **Enabled** and Disabled.

Configuration Address Source (Available when "IPv6 Support" is set to Enabled)

Use this feature to select the source of the IPv6 connection. If Static Configuration is selected, note the IP address of IPv6 connection and enter it to the system manually in the field. If the other two options are selected, the BIOS will search for a DHCP server in the network that is attached to and request the next available IP address for this computer. The options are Static Configuration, **DHCPv6 Stateless**, and DHCPv6 Stateful.

IPv6 Address ("Static," "DHCPv6 Stateless," or "DHCPv6 Stateful," depending on the option you selected for "Configuration Address Source" above)

This feature displays the station IPv6 address. It is available for configuration when "Configuration Address Source" above is set to Static Configuration.

Prefix Length

This feature displays the prefix length. It is available for configuration when "Configuration Address Source" above is set to Static Configuration.

Gateway IP

This feature displays the IPv6 gateway IP address. It is available for configuration when "Configuration Address Source" above is set to Static Configuration.

Advanced Settings (Available when "Configuration Address Source" is set to DHCPv6 Stateless)

Use this feature to set the DNS server IP. The default setting allows this system to obtain the DNS server IP automatically. The options are **Auto obtain DNS server IP** and Manually obtain DNS server IP.

Preferred DNS server IP (Available when "Advanced Settings" above is set to Manually obtain DNS server IP)

This feature displays the preferred DNS server IP. It can be configured via Redfish.

Alternative DNS server IP (Available when "Advanced Settings" above is set to Manually obtain DNS server IP)

This feature displays the alternative DNS server IP. It can be configured via Redfish.

Configure VLAN Support

Lan channel 1**VLAN Support (Available when "Update BMC LAN Configuration" is set to Yes)**

Use this feature to enable the virtual LAN (VLAN) support. The options are Enabled and Disabled.

VLAN ID (Available when "VLAN Support" is set to Enabled)

Use this feature to create a new VLAN ID. The valid range is 1–4094. The default setting is 1.

4.6 Security

Use this menu to configure the following security settings for the system.

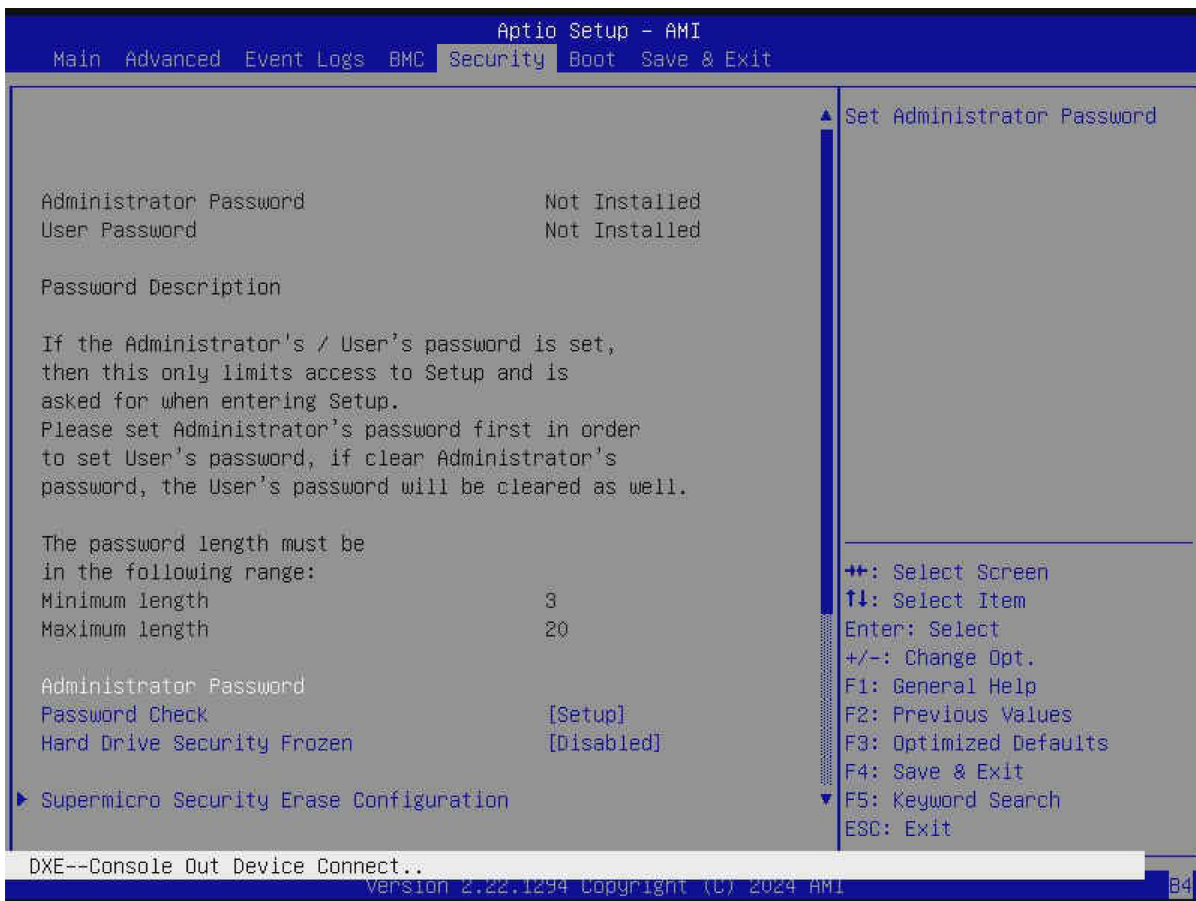


Figure 4-5. Security Screen

Disable Block Sid and Freeze Lock (Available when your storage devices support TCG)

Select Enabled to allow SID authentication to be performed in TCG storage devices. The options are **Disabled** and Enabled.

The following information is displayed:

- Administrator Password
- User Password
- Password Description

Administrator Password

This feature indicates if an administrator password has been installed. Use this feature to set the administrator password, which is required to enter the BIOS Setup utility. The length of the password can be between three and 20 characters long.

User Password (Available when "Administrator Password" has been set)

This feature indicates if a user password has been installed. Use this feature to set the user password which is required to enter the BIOS Setup utility. The length of the password can be between three and 20 characters long.

Password Check

Select Setup for the system to check for a password upon entering the BIOS Setup utility. Select Always for the system to check for the passwords needed at bootup and upon entering the BIOS Setup utility. The options are **Setup** and Always.

Hard Drive Security Frozen

Select Enabled to freeze the Lock Security feature for HDD to protect key data in hard drives from being altered. The options are **Disabled** and Enabled.

Lockdown Mode (Available when the DCMS key is activated)

Select Enabled to support the Lockdown Mode, which prevents the existing data or keys stored in the system from being altered or changed in an effort to preserve system integrity and security. The options are **Disabled** and Enabled.

Secure Boot Menu

► Secure Boot

The following information is displayed:

- System Mode
- Secure Boot

Note: For detailed instructions on configuring Security Boot settings, refer to the Security Boot Configuration User's Guide at <https://www.supermicro.com/support/manuals>.

Secure Boot

Select Enabled to configure Secure Boot settings. The options are **Disabled** and Enabled.

Secure Boot Mode

Use this feature to select the desired secure boot mode for the system. The options are Standard and **Custom**.

► Enter Audit Mode

Select Ok to enter the Audit Mode workflow. It will result in erasing the Platform Key (PK) variables and resetting the system to the Setup/Audit Mode.

Note: This submenu is available when "Secure Boot Mode" is set to Custom.

▶ Enter Deployed Mode / Exit Deployed Mode

Select Ok to reset system to the User Mode or to the Deployed Mode.

Note: This submenu is available when "Secure Boot Mode" is set to Custom.

▶ Key Management

The following information is displayed:

- Vendor Keys

Note: This submenu is available when "Secure Boot Mode" is set to Custom.

Provision Factory Defaults

Select Enabled to install provision factory default settings after a platform reset while the system is in the Setup Mode. The options are **Disabled** and Enabled.

▶ Restore Factory Keys

Select Yes to restore manufacturer default keys to ensure system security. The options are **Yes** and No. Selecting Yes will reset system to the User Mode.

Note: This submenu is available when any secure keys have been installed.

▶ Reset To Setup Mode

This feature resets the system to the Setup Mode. The options are **Yes** and No.

Note: This submenu is available when any secure keys have been installed.

▶ Enroll Efi Image

This feature allows the Efi image to run in the secure boot mode and enroll the SHA256 Hash certificate of a PE image into the Authorized Signature Database (DB).

▶ Export Secure Boot Variables

This feature exports the NVRAM contents of secure boot variables to a storage device. The options are **Yes** and No.

Note: This submenu is available when any secure keys have been installed.

Secure Boot variable / Size / Keys / Key Source

▶ Platform Key (PK)

Use this feature to enter and configure a set of values to be used as platform firmware keys for the system. These values also indicate the sizes, key numbers, and the sources of the authorized signatures. Select Update to update the platform key.

▶ Key Exchange Keys (KEK)

Use this feature to enter and configure a set of values to be used as Key Exchange Keys for the system. These values also indicate the sizes, key numbers, and the sources of the authorized signatures. Select Update to update the Key Exchange Keys. Select Append to append the Key Exchange Keys.

▶ Authorized Signatures (db)

Use this feature to enter and configure a set of values to be used as Authorized Signatures for the system. These values also indicate the sizes, key numbers, and sources of the authorized signatures. Select Update to update the Authorized Signatures. Select Append to append the new Authorized Signatures.

▶ Forbidden Signatures (dbx)

Use this feature to enter and configure a set of values to be used as Forbidden Signatures for the system. These values also indicate sizes, key numbers, and key sources of the forbidden signatures. Select Update to update the Forbidden Signatures. Select Append to append the Forbidden Signature.

▶ Authorized TimeStamps (dbt)

Use this feature to set and save the timestamps for the Authorized Signatures, which will indicate the time when these signatures are entered into the system. These values also indicate sizes, keys, and key sources of the authorized timestamps. Select Update to update the Authorized TimeStamps. Select Append to append the Authorized TimeStamps.

► **OsRecovery Signatures (dbr)**

Use this feature to set and save the Authorized Signatures used for OS recovery. Select Update to update the OsRecovery Signatures. These values also indicate sizes, keys, and key sources of the OsRecovery Signatures. Select Append to append the OsRecovery Signatures.

4.7 Boot

Use this menu to configure Boot settings.

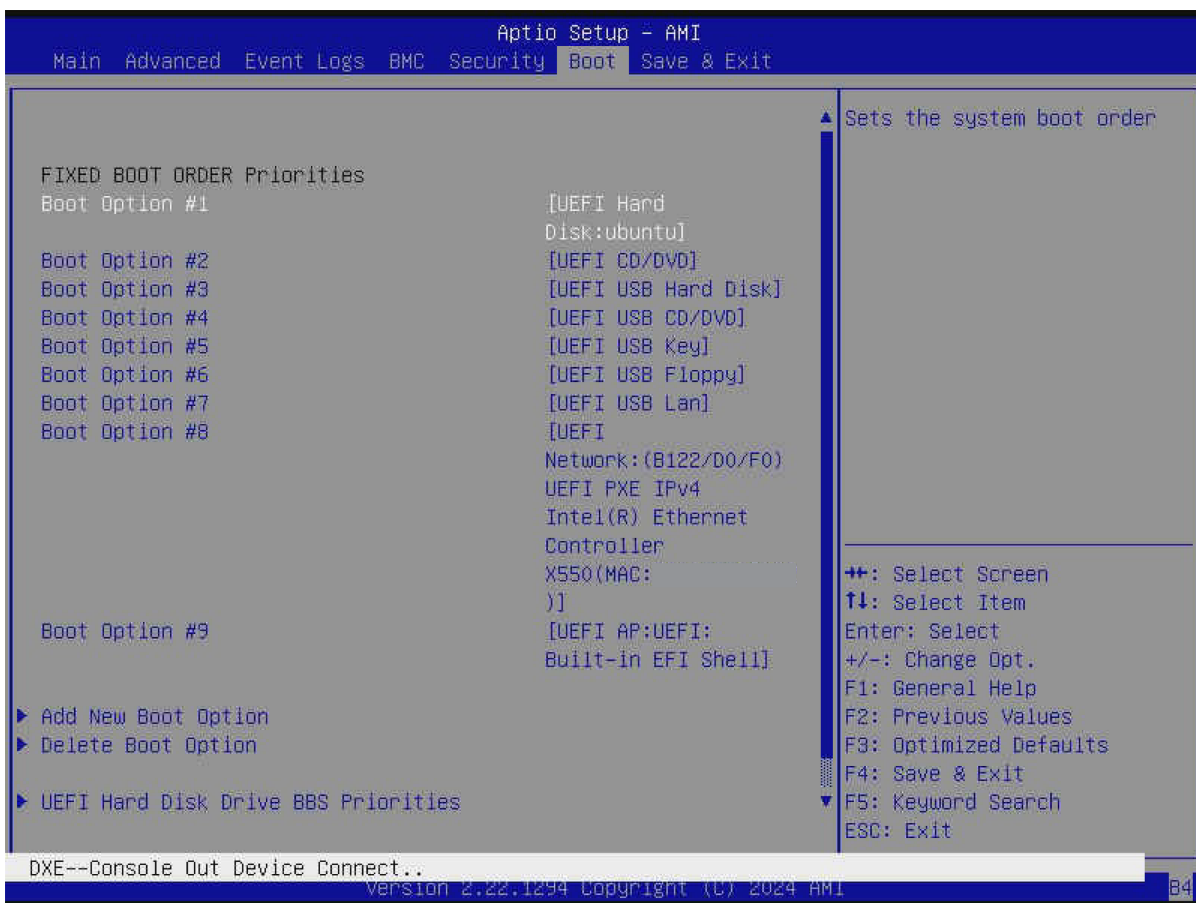


Figure 4-6. Boot Screen

FIXED BOOT ORDER Priorities

Use this feature to prioritize the order of a bootable device from which the system will boot. Press <Enter> on each item sequentially to select the device.

- Boot Option #1 – Boot Option #9

► Add New Boot Option

Use this feature to add a new boot option to the boot priority features for system boot.

Note: This submenu is available when any storage device is detected by the BIOS.

Add boot option

Use this feature to specify the name for the new boot option.

Path for boot option

Use this feature to enter the path for the new boot option in the format fsx:\path\filename.efi.

Boot option File Path

Use this feature to specify the file path for the new boot option.

Create

After setting the name and the file path for the boot option, press <Enter> to create the new boot option in the boot priority list.

▶ Delete Boot Option

Use this feature to select a boot device to delete from the boot priority list.

Delete Boot Option

Use this feature to remove an EFI boot option from the boot priority list.

▶ UEFI NETWORK Drive BBS Priorities

Use this feature to set the system boot order of detected devices.

▶ UEFI Application Boot Priorities

Use this feature to set the system boot order of detected devices.

4.8 Save & Exit

Select Save & Exit from the BIOS Setup screen to configure the settings below.

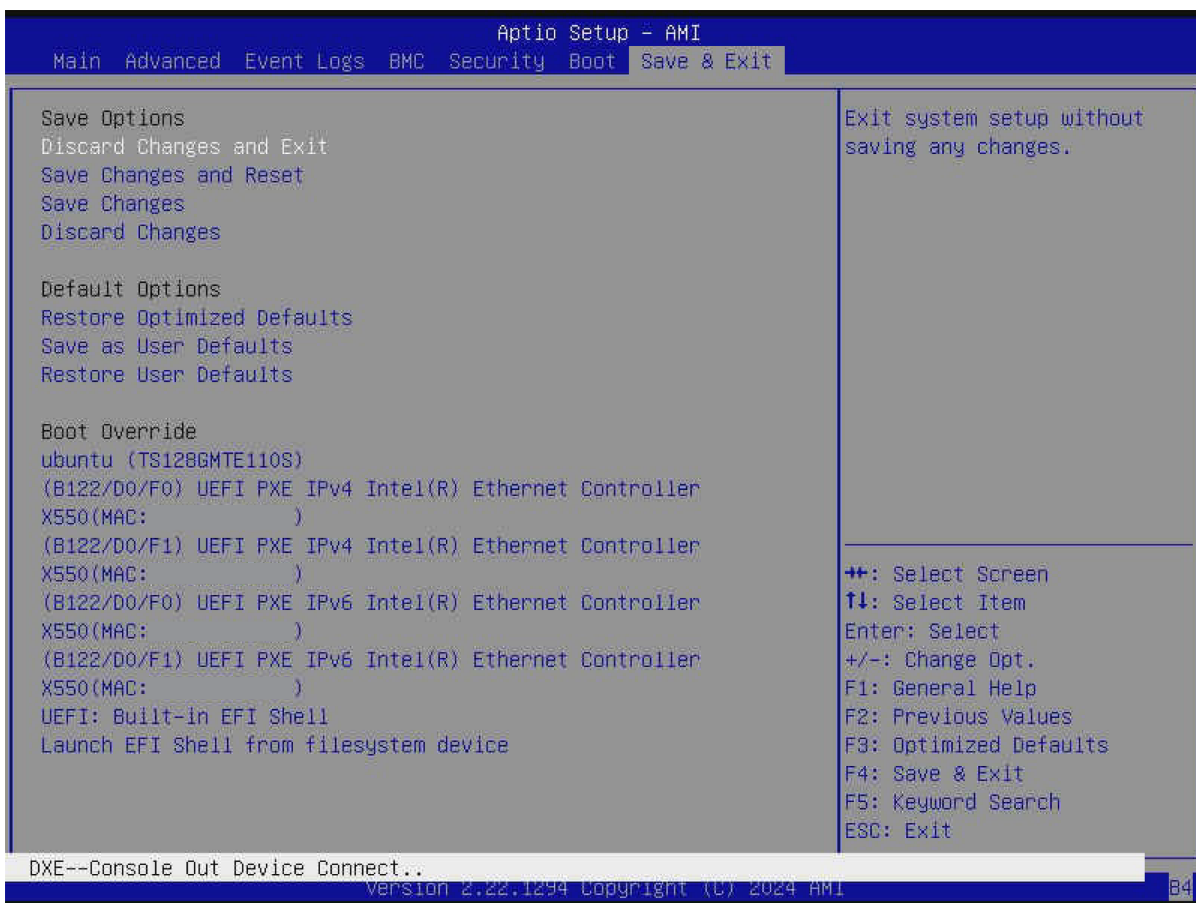


Figure 4-7. Save & Exit Screen

Save Options

Discard Changes and Exit

Use this feature to exit from the BIOS Setup utility without making any permanent changes to the system configuration and reboot the computer.

Save Changes and Reset

On completing the system configuration changes, use this feature to exit the BIOS Setup utility and reboot the computer for the new system configuration parameters to take effect.

Save Changes

On completing the system configuration changes, use this feature to save all changes made. This will not reset (reboot) the system.

Discard Changes

Select this feature and press <Enter> to discard all changes made and return to the BIOS Setup utility.

Default Options**Restore Optimized Defaults**

Select this feature and press <Enter> to load manufacturer optimized default settings, which are intended for maximum system performance but not for maximum stability.

Note: After pressing <Enter>, reboot the system for the changes to take effect, which ensures that this system has the optimized default settings.

Save as User Defaults

Select this feature and press <Enter> to save all changes as the default values specified to the BIOS Setup utility for future use.

Restore User Defaults

Select this feature and press <Enter> to retrieve user-defined default settings that have been saved previously.

Boot Override

Note: Use this section to override the Boot priorities sequence in the Boot menu, and immediately boot the system with a device specified here instead of the one specified in the boot list. This is a one-time boot override.

Launch EFI Shell from filesystem device

Use this feature to launch the EFI shell application (Shell.efi) from one of the available filesystem devices. A filesystem is a virtual, logical, or physical system for organizing, managing, and accessing the files and directories on devices such as SSDs, HDDs, or other storage devices.

Appendix A:

Software

After the motherboard has been installed, you can install the Operating System (OS), configure RAID settings, and install the drivers.

Microsoft Windows OS Installation

If you will be using RAID, you must configure RAID settings before installing the Windows OS and the RAID driver. Refer to the RAID Configuration User Guides posted on our website at <https://www.supermicro.com/support/manuals>.

Installing the OS

1. Create a method to access the Microsoft Windows installation ISO file. That can be a USB flash or media drive, or the BMC KVM console.
2. Retrieve the proper drivers. Go to the Supermicro web page for your motherboard and click on "Download the Latest Drivers and Utilities," select the proper driver, and copy it to a USB flash drive.
3. Boot from a bootable device with Windows OS installation. You can see a bootable device list by pressing <F11> during the system bootup.

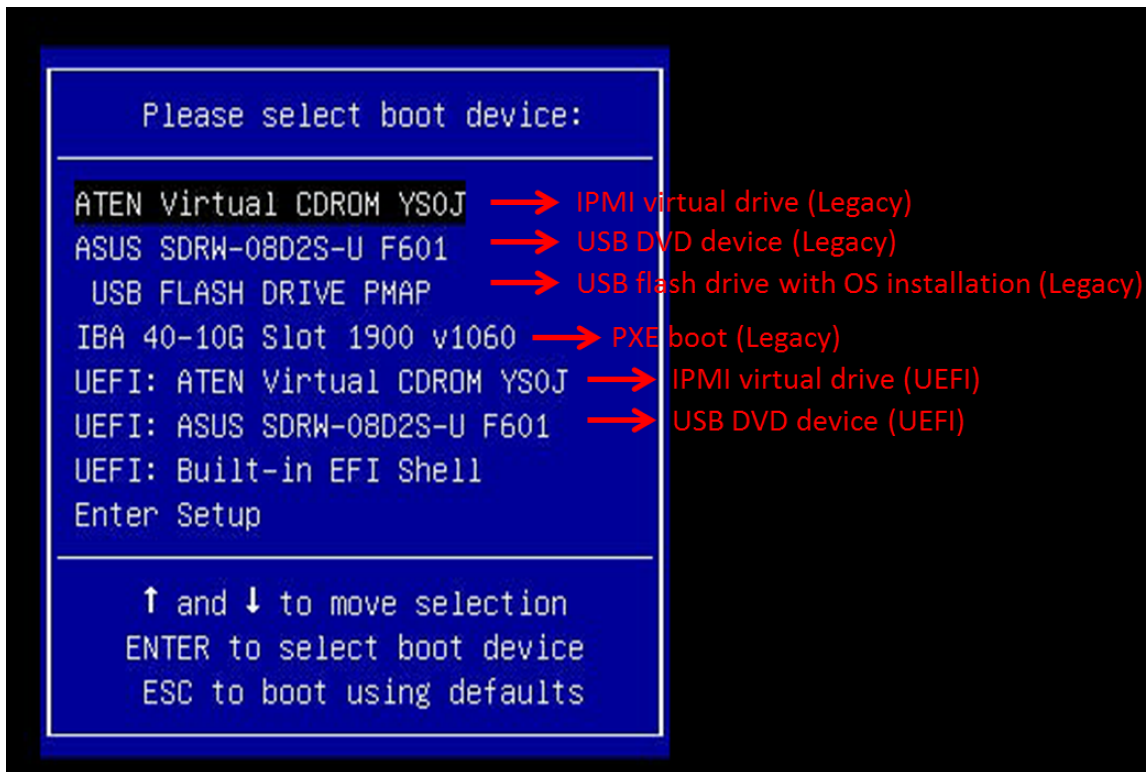


Figure A-1. Selecting the Boot Device

4. During Windows Setup, continue to the dialog box where you select the drives on which to install Windows. If the disk you want to use is not listed, click on the “Load driver” link at the bottom left corner.

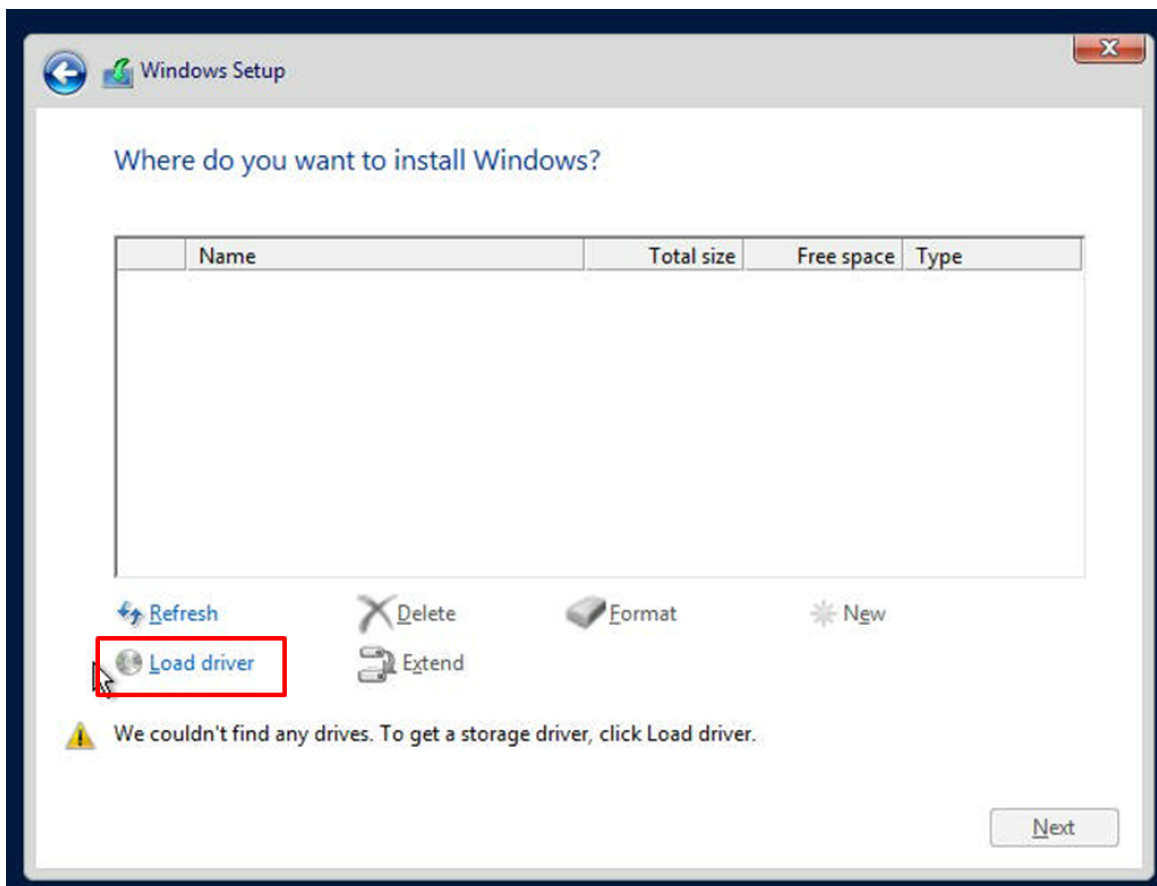


Figure A-2. Loading the Driver Link

To load the driver, browse the USB flash drive for the proper driver files.

5. Once all devices are specified, continue with the installation.
6. After the Windows OS installation has completed, the system will automatically reboot multiple times for system updates.

Driver Installation

The Supermicro website contains drivers and utilities for your system at the following page:

<https://www.supermicro.com/wdl>.

Some of these drivers and utilities must be installed, such as the chipset driver. After accessing the website, go into the CDR_Images (in the parent directory of the above link) and locate the ISO file for your motherboard. Download this file to a USB flash or media drive. You may also use a utility to extract the ISO file if preferred.

Another option is to go to the Supermicro website at <https://www.supermicro.com>. Find the product page for your motherboard and download the latest drivers and utilities. Insert the flash drive or disk, and the screenshot shown below should appear.

Note: Click the icons showing a hand writing on paper to view the readme files for each item. Click the computer icons to the right of these items to install each item (from top to bottom) one at a time. After installing each item, you must reboot the system before moving on to the next item on the list. The bottom icon with a CD on it allows you to view the entire contents.

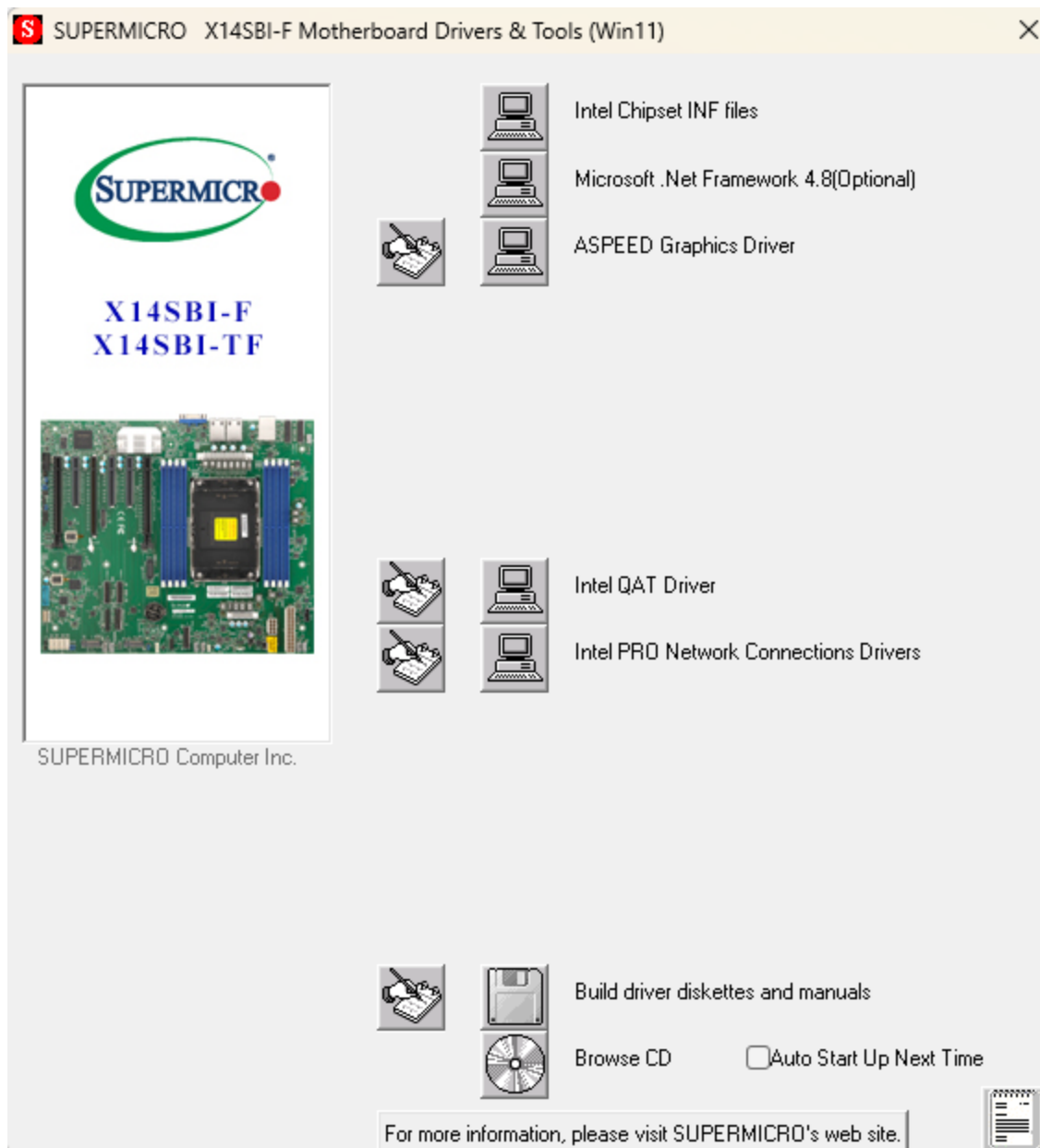


Figure A-3. Driver & Tools Installation Screen

BMC

The X14SBI-F/-TF motherboard provides remote access, monitoring, and management through the baseboard management controller (BMC) and other management controllers distributed among different system modules. There are several BIOS settings that are related to BMC. For general documentation and information on BMC, visit our website at the following page:

<https://www.supermicro.com/en/solutions/management-software/bmc-resources>

BMC ADMIN User Password

For security, each system is assigned a unique default BMC password for the ADMIN user. The password can be found on a sticker on the motherboard and a sticker on the chassis, for Supermicro chassis. The sticker also displays the BMC MAC address. If necessary, the password can be reset using the Supermicro IPMICFG tool.



Figure A-4. BMC Password Label

Appendix B:

Standardized Warning Statements

The following statements are industry standard warnings, provided to warn the user of situations which have the potential for bodily injury. Should you have questions or experience difficulty, contact Supermicro's Technical Support department for assistance. Only certified technicians should attempt to install or configure components.

Read this section in its entirety before installing or configuring components in the Supermicro motherboard.

These warnings may also be found on our website at the following page:

https://www.supermicro.com/about/policies/safety_information.cfm

Battery Handling



CAUTION There is risk of explosion if the battery is replaced by an incorrect type. Replace the battery only with the same or equivalent type recommended by the manufacturer. Dispose of used batteries according to the manufacturer's instructions.

警告!

バッテリーを間違ったタイプに交換すると爆発の危険があります。交換する電池はメーカーが推奨する型、または同等のものを使用下さい。使用済電池は製造元の指示に従って処分して下さい。

警告!

如果更换的电池类型不正确。请只使用同类电池或制造商推荐的功能相当的电池更换原有电池。请按制造商的说明处理废旧电池。

警告!

如果更換的電池類型不正確。請使用製造商建議之相同或功能相當的電池更換原有電池。請按照製造商的說明指示處理廢棄舊電池。

WARNUNG!

Es besteht Explosionsgefahr, wenn die Batterie durch einen falschen Typ ersetzt wird. Ersetzen Sie die Batterie nur durch den gleichen oder vom Hersteller empfohlenen Batterietyp. Entsorgen Sie die benutzten Batterien nach den Anweisungen des Herstellers.

¡ADVERTENCIA!

Existe riesgo de explosión si la batería se reemplaza por un tipo incorrecto. Reemplazar la batería exclusivamente con el mismo tipo o el equivalente recomendado por el fabricante. Desechar las baterías gastadas según las instrucciones del fabricante.

ATTENTION!

Il existe un risque d'explosion si la batterie est remplacée par un type incorrect. Ne la remplacer que par une pile de type semblable ou équivalent, recommandée par le fabricant. Jeter les piles usagées conformément aux instructions du fabricant.

אזהרה!

קיימת סכנת פיצוץ אם הסוללה תוחלף בסוג שגוי. יש להחליף את הסוללה בסוג התואם מחברת יצרן מומלצת. סילוק הסוללות המשומשות יש לבצע לפי הוראות היצרן.

تحذير!

هناك خطر الانفجار إذا تم استبدال البطارية بنوع غير صحيح
اسحبذال البطارية
فقط بنفس النوع أو ما يعادلها مما أوصت به الشركة المصنعة
جخلص من البطاريات المسحمة وفقاً لعليمات الشركة الصانعة

경고!

배터리를 잘못된 종류로 교체하면 폭발의 위험이 있습니다. 기존 배터리와 동일하거나 제조사에서 권장하는 동등한 종류의 배터리로만 교체해야 합니다. 제조사의 안내에 따라 사용된 배터리를 처리하여 주십시오.

WAARSCHUWING!

Er bestaat explosiegevaar als de batterij wordt vervangen door een verkeerd type. Vervang de batterij slechts met hetzelfde of een equivalent type die door de fabrikant aanbevolen wordt. Gebruikte batterijen dienen overeenkomstig fabrieksvoorschriften afgevoerd te worden.

Product Disposal

Warning! Ultimate disposal of this product should be handled according to all national laws and regulations.

警告!

この製品を廃棄処分する場合、国の関係する全ての法律・条例に従い処理する必要があります。

警告!

本产品的废弃处理应根据所有国家的法律和规章进行。

警告!

本產品的廢棄處理應根據所有國家的法律和規章進行。

Warnung!

Die Entsorgung dieses Produkts sollte gemäß allen Bestimmungen und Gesetzen des Landes erfolgen.

¡Advertencia!

Al deshacerse por completo de este producto debe seguir todas las leyes y reglamentos nacionales.

Attention!

La mise au rebut ou le recyclage de ce produit sont généralement soumis à des lois et/ou directives de respect de l'environnement. Renseignez-vous auprès de l'organisme compétent.

אזהרה!

סילוק סופי של מוצר זה חייב להיות בהתאם להנחיות וחוקי המדינה.

تحذير!

عند التخلص النهائي من هذا المنتج ينبغي التعامل معه وفقا لجميع القوانين واللوائح الوطنية

경고!

이 제품은 해당 국가의 관련 법규 및 규정에 따라 폐기되어야 합니다.

Waarschuwing!

De uiteindelijke verwijdering van dit product dient te geschieden in overeenstemming met alle nationale wetten en reglementen.