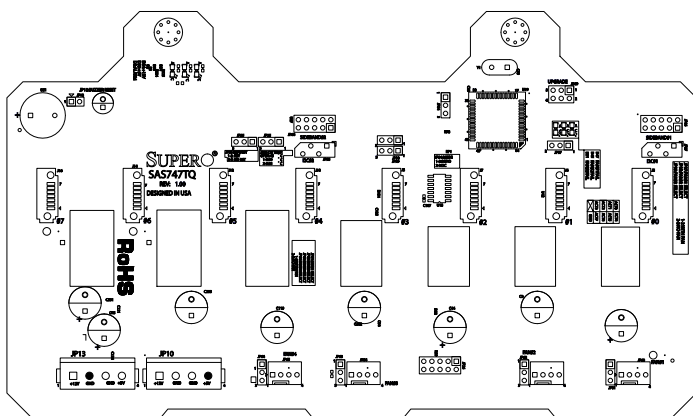


SUPERO[®]



SAS-747TQ BACKPLANE

USER'S GUIDE

Rev. 1.0

The information in this User's Manual has been carefully reviewed and is believed to be accurate. The vendor assumes no responsibility for any inaccuracies that may be contained in this document, makes no commitment to update or to keep current the information in this manual, or to notify any person or organization of the updates. **Please Note: For the most up-to-date version of this manual, please see our web site at www.supermicro.com.**

Super Micro Computer, Inc. ("Supermicro") reserves the right to make changes to the product described in this manual at any time and without notice. This product, including software, if any, and documentation may not, in whole or in part, be copied, photocopied, reproduced, translated or reduced to any medium or machine without prior written consent.

IN NO EVENT WILL SUPERMICRO BE LIABLE FOR DIRECT, INDIRECT, SPECIAL, INCIDENTAL, SPECULATIVE OR CONSEQUENTIAL DAMAGES ARISING FROM THE USE OR INABILITY TO USE THIS PRODUCT OR DOCUMENTATION, EVEN IF ADVISED OF THE POSSIBILITY OF SUCH DAMAGES. IN PARTICULAR, SUPERMICRO SHALL NOT HAVE LIABILITY FOR ANY HARDWARE, SOFTWARE, OR DATA STORED OR USED WITH THE PRODUCT, INCLUDING THE COSTS OF REPAIRING, REPLACING, INTEGRATING, INSTALLING OR RECOVERING SUCH HARDWARE, SOFTWARE, OR DATA.

Any disputes arising between manufacturer and customer shall be governed by the laws of Santa Clara County in the State of California, USA. The State of California, County of Santa Clara shall be the exclusive venue for the resolution of any such disputes. Super Micro's total liability for all claims will not exceed the price paid for the hardware product.

California Best Management Practices Regulations for Perchlorate Materials: This Perchlorate warning applies only to products containing CR (Manganese Dioxide) Lithium coin cells. "Perchlorate Material-special handling may apply. See www.dtsc.ca.gov/hazardouswaste/perchlorate"

WARNING: Handling of lead solder materials used in this product may expose you to lead, a chemical known to the State of California to cause birth defects and other reproductive harm.

Manual Revision 1.0
Release Date: July 24, 2009

Unless you request and receive written permission from Super Micro Computer, Inc., you may not copy any part of this document.

Information in this document is subject to change without notice. Other products and companies referred to herein are trademarks or registered trademarks of their respective companies or mark holders.

Copyright © 2009 by Super Micro Computer, Inc.
All rights reserved.
Printed in the United States of America

Table of Contents

Contacting Supermicro.....	iv
Returning Merchandise for Service.....	v
Chapter 1 Safety Guidelines	1-1
1-1 ESD Safety Guidelines	1-1
1-2 General Safety Guidelines	1-1
1-3 An Important Note to Users	1-2
1-4 Introduction to the SAS-747TQ Backplane.....	1-2
Chapter 2 Jumper Settings and Pin Definitions.....	2-1
2-1 Front Connectors and Jumpers	2-1
Front Components	2-1
2-2 Front Connector and Pin Definitions.....	2-2
2-3 Front Jumper Locations and Pin Definitions.....	2-4
Fan Jumper Settings.....	2-5
I ² C and SGPIO Modes and Jumper Settings	2-6
2-4 Front LED Indicators	2-7
2-5 Rear Connectors and LED Indicators	2-8

Contacting Supermicro

Headquarters

Address: Super Micro Computer, Inc.
980 Rock Ave.
San Jose, CA 95131 U.S.A.

Tel: +1 (408) 503-8000
Fax: +1 (408) 503-8008
Email: marketing@supermicro.com (General Information)
support@supermicro.com (Technical Support)

Web Site: www.supermicro.com

Europe

Address: Super Micro Computer B.V.
Het Sterrenbeeld 28, 5215 ML
's-Hertogenbosch, The Netherlands

Tel: +31 (0) 73-6400390
Fax: +31 (0) 73-6416525
Email: sales@supermicro.nl (General Information)
support@supermicro.nl (Technical Support)
rma@supermicro.nl (Customer Support)

Asia-Pacific

Address: Super Micro Computer, Inc.
4F, No. 232-1, Liancheng Rd.
Chung-Ho 235, Taipei County
Taiwan, R.O.C.

Tel: +886-(2) 8226-3990
Fax: +886-(2) 8226-3991
Web Site: www.supermicro.com.tw

Technical Support:
Email: support@supermicro.com.tw
Tel: 886-2-8226-1900

Returning Merchandise for Service

A receipt or copy of your invoice marked with the date of purchase is required before any warranty service will be rendered. You can obtain service by calling your vendor for a Returned Merchandise Authorization (RMA) number. When returning to the manufacturer, the RMA number should be prominently displayed on the outside of the shipping carton, and mailed prepaid or hand-carried. Shipping and handling charges will be applied for all orders that must be mailed when service is complete.

For faster service, RMA authorizations may be requested online (<http://www.supermicro.com/support/rma/>).

Whenever possible, repack the backplane in the original Supermicro box, using the original packaging materials. If these are no longer available, be sure to pack the backplane in an anti-static bag and inside the box. Make sure that there is enough packaging material surrounding the backplane so that it does not become damaged during shipping.

This warranty only covers normal consumer use and does not cover damages incurred in shipping or from failure due to the alteration, misuse, abuse or improper maintenance of products.

During the warranty period, contact your distributor first for any product problems.

Notes

Chapter 1

Safety Guidelines

To avoid personal injury and property damage, carefully follow all the safety steps listed below when accessing your system or handling the components.

1-1 ESD Safety Guidelines

Electrostatic Discharge (ESD) can damage electronic components. To prevent damage to your system, it is important to handle it very carefully. The following measures are generally sufficient to protect your equipment from ESD.

- Use a grounded wrist strap designed to prevent static discharge.
- Touch a grounded metal object before removing a component from the antistatic bag.
- Handle the backplane by its edges only; do not touch its components, peripheral chips, memory modules or gold contacts.
- When handling chips or modules, avoid touching their pins.
- Put the card and peripherals back into their antistatic bags when not in use.

1-2 General Safety Guidelines

- Always disconnect power cables before installing or removing any components from the computer, including the backplane.
- Disconnect the power cable before installing or removing any cables from the backplane.
- Make sure that the backplane is securely and properly installed on the motherboard to prevent damage to the system due to power shortage.

1-3 An Important Note to Users

- All images and layouts shown in this user's guide are based upon the latest revision available at the time of publishing. The card you have received may or may not look exactly the same as the graphics shown in this manual.

1-4 Introduction to the SAS-747TQ Backplane

The SAS-747TQ backplane has been designed to utilize the most up-to-date technology available, providing your system with reliable, high-quality performance.

This manual reflects SAS-747TQ Revision 1.00, the most current release available at the time of publication. Always refer to the Supermicro Web site at www.supermicro.com for the latest updates, compatible parts and supported configurations.

Chapter 2

Jumper Settings and Pin Definitions

2-1 Front Connectors and Jumpers

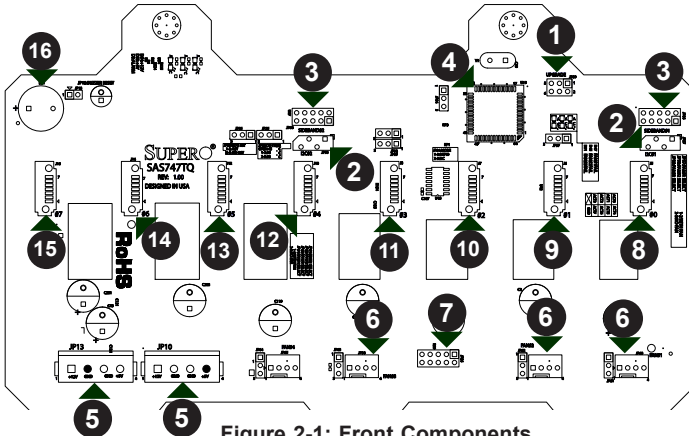


Figure 2-1: Front Components
Front Components

Front Jumpers and Components

- | | |
|---|----------------------|
| 1. Upgrade Connector: JP69 | 9. SAS Port #1: J6 |
| 2. I ² C Connector#1: JP37 and I ² C Connector#2 JP95 | 10. SAS Port #2: J7 |
| 3. Sideband Connector#1: JP66 and Sideband Connector#2: JP68 | 11. SAS Port #3: J8 |
| 4. Chip: MG9072 | 12. SAS Port #4: J10 |
| 5. Power Connectors: (4-pin): JP10 and JP13 | 13. SAS Port #5: J12 |
| 6. Fan Connectors: JP54, JP56, and JP60 | 14. SAS Port #6: J14 |
| 7. ACT_IN #0-7: JP26 | 15. SAS Port #7: J16 |
| 8. SAS Port #0: J5 | 16. Buzzer: BZ1 |

2-2 Front Connector and Pin Definitions

1. Upgrade Connector

The upgrade connector, designated JP69, is used for manufacturer's diagnostic purposes only.

2. I²C Connectors

The I²C connectors, designated JP37 and JP95, are used to monitor HDD activity and status. See the table on the right for pin definitions.

I ² C Connector Pin Definitions	
Pin#	Definition
1	Data
2	Ground
3	Clock
4	No Connection

3. Sideband Headers

The sideband headers are designated JP66 and JP68. For SES-2 to work properly, you must connect an 8-pin sideband cable. See the table to the right for pin definitions.

NOTE: SGPIO is the default setting for this backplane.

Sideband Headers			
Pin #	Definition	Pin #	Definition
2	SGPIO: SDIN I²C: Backplane Addressing (SB5)	1	Controller ID (SB6)
4	SGPIO: SDOUT I²C: Reset (SB4)	3	GND (SB2)
6	GND (SB3)	5	SGPIO: SLOAD I²C: SDA (SB1)
8	Backplane ID (SB7)	7	SGPIO: SCLOCK I²C: SCL (SB0)
10	No Connection	9	No Connection

4. MG9072 Chip

The MG9072 is an enclosure management chip that supports the SES-2 controller and SES-2 protocols.

5. Backplane Main Power Connectors

The 4-pin connectors, designated JP66 and JP68 provide power to the backplane. See the table on the right for pin definitions.

Backplane Main Power 4-Pin Connector	
Pin#	Definition
1	+12V
2 and 3	Ground
4	+5V

6. Fan Connectors

The 4-pin connectors, designated JP54, JP56, and JP60 provide power to the fans. See the table on the right for pin definitions.

Fan Connectors	
Pin#	Definition
1	Ground
2	+12V
3	Tachometer
4	Empty

7. Activity LED Header

The activity LED header, designated JP26, is used to indicate the activity status of each SAS drive. The Activity LED Header is located on the front panel. For the Activity LED Header to work properly, connect using a 10-pin LED cable.

SAS Activity LED Header Pin Definitions			
Pin #	Definition	Pin #	Definition
1	ACT IN#0	6	ACT IN#4
2	ACT IN#1	7	ACT IN#5
3	ACT IN#2	8	ACT IN#6
4	ACT IN#3	9	ACT IN#7
5	Empty	10	Ground

8-15. SAS Ports

The SAS ports are used to connect the SAS drive cables. The 8 ports are designated #0 - #7. Each port is also compatible with SATA drives.

2-3 Front Jumper Locations and Pin Definitions

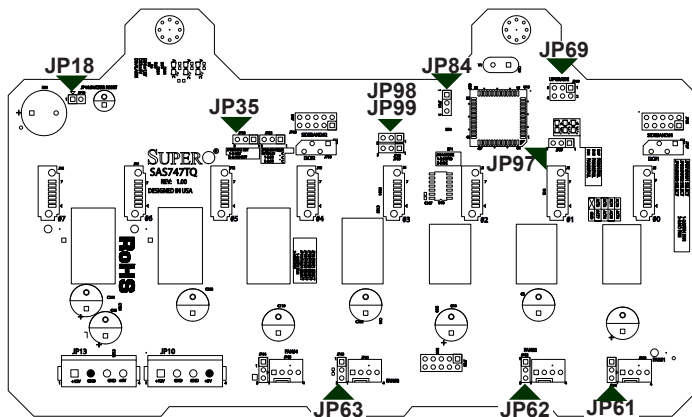
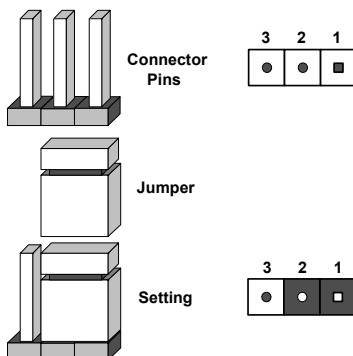


Figure 2-2: Jumper Locations

Explanation of Jumpers

To modify the operation of the backplane, jumpers can be used to choose between optional settings. Jumpers create shorts between two pins to change the function of the connector. Pin 1 is identified with a square solder pad on the printed circuit board. Note: On two pin jumpers, "Closed" means the jumper is on and "Open" means the jumper is off the pins.



Jumper Settings		
Jumper	Jumper Settings	Note
JP35	1-2: Reset 2-3: No reset	MG9072 chip reset

Socket Settings		
Socket	Socket Setting	Note
JP18	Connected to front panel	Buzzer reset* Press once to disable buzzer Press twice to enable buzzer

*The buzzer sound indicates that a condition requiring immediate attention has occurred.

The buzzer alarm is triggered by the following conditions:

1. Hard drive failure
2. Fan failure
3. System temperature over 45° Celsius.

Fan Jumper Settings

This backplane can use up to three fans. To utilize each fan, you must configure **both jumpers** as instructed below.

Fan Jumper Settings		
Jumper	Jumper Settings	Note
JP61	1-2:Enabled 2-3:Disabled	FAN #1 enable/disable
JP97	1-2:Enabled 2-3:Disabled	FAN #1 selection for MG9072 chip
JP62	1-2:Enabled 2-3:Disabled	FAN #2 enable/disable
JP98	1-2:Enabled 2-3:Disabled	FAN #2 selection for MG9072 chip
JP63	1-2:Enabled 2-3:Disabled	FAN #3 enable/disable
JP99	1-2:Enabled 2-3:Disabled	FAN #3 selection for MG9072 chip

I²C and SGPIO Modes and Jumper Settings

This backplane can utilize I²C or SGPIO. SGPIO is the default mode and can be used without making changes to your jumpers. The following information details which jumpers must be configured to use I²C mode or restore your backplane to SGPIO mode.

SGPIO and I²C Jumper Settings (Default)			
Jumper	SGPIO Jumper Setting (Default)	I²C Jumper Setting	Note
JP84	1-2	2-3	Controller ID #1

2-4 Front LED Indicators

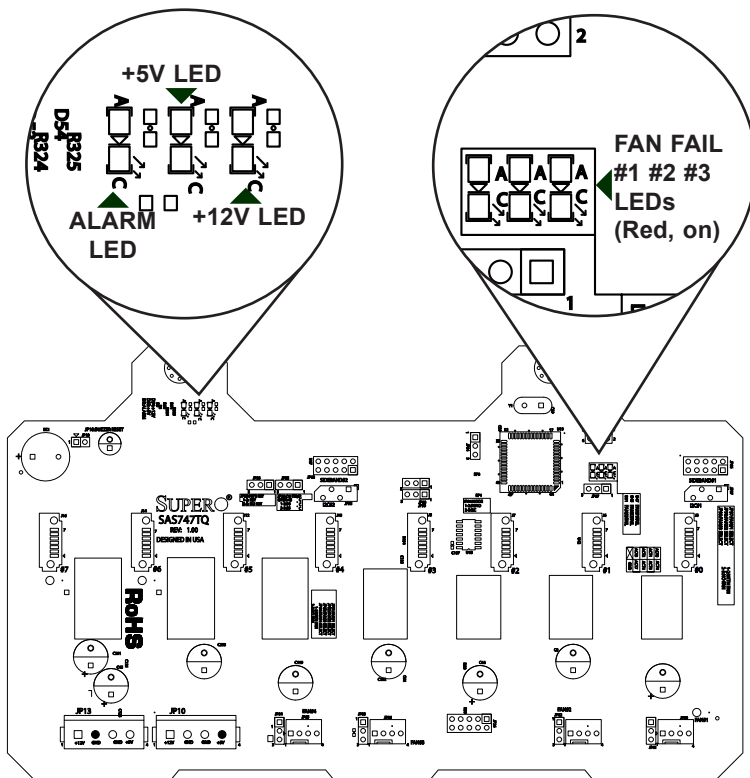


Figure 2-3: Front LEDs

Front LED Indicators		
LED	Normal State	Specification
Fan #1 fail	Off	Failure in Fan #1 (Red light on, steady)
Fan #2 fail	Off	Failure in Fan #2 (Red light on, steady)
Fan #3 fail	Off	Failure in Fan #3 (Red light on, steady)
Alarm #1	Off	Overheat/drive failure
+5V	On	Backplane power failure. Light is on during normal operation.
+12V	On	Backplane power failure. Light is on during normal operation.

2-5 Rear Connectors and LED Indicators

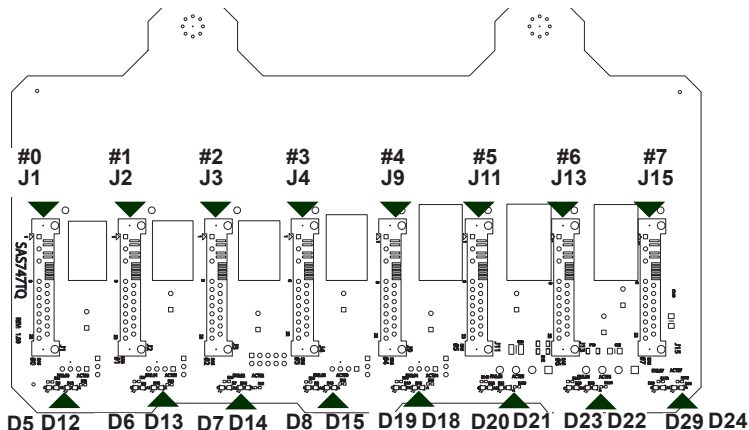


Figure 2-4: Rear Connectors

Rear SAS/SATA Connectors	
Rear Connector	SAS Drive Number
#0	SAS/SATA HDD #0
#1	SAS/SATA HDD #1
#2	SAS/SATA HDD #2
#3	SAS/SATA HDD #3
#4	SAS/SATA HDD #4
#5	SAS/SATA HDD #5
#6	SAS/SATA HDD #6
#7	SAS/SATA HDD #7

Rear LED Indicators		
Rear LED	Hard Drive Activity	Failure LED
#0	D12	D5
#1	D13	D6
#2	D14	D7
#3	D15	D8
#4	D18	D19
#5	D21	D20
#6	D22	D23
#7	D24	D29

Notes

Disclaimer (cont.)

The products sold by Supermicro are not intended for and will not be used in life support systems, medical equipment, nuclear facilities or systems, aircraft, aircraft devices, aircraft/emergency communication devices or other critical systems whose failure to perform be reasonably expected to result in significant injury or loss of life or catastrophic property damage. Accordingly, Supermicro disclaims any and all liability, and should buyer use or sell such products for use in such ultra-hazardous applications, it does so entirely at its own risk. Furthermore, buyer agrees to fully indemnify, defend and hold Supermicro harmless for and against any and all claims, demands, actions, litigation, and proceedings of any kind arising out of or related to such ultra-hazardous use or sale.