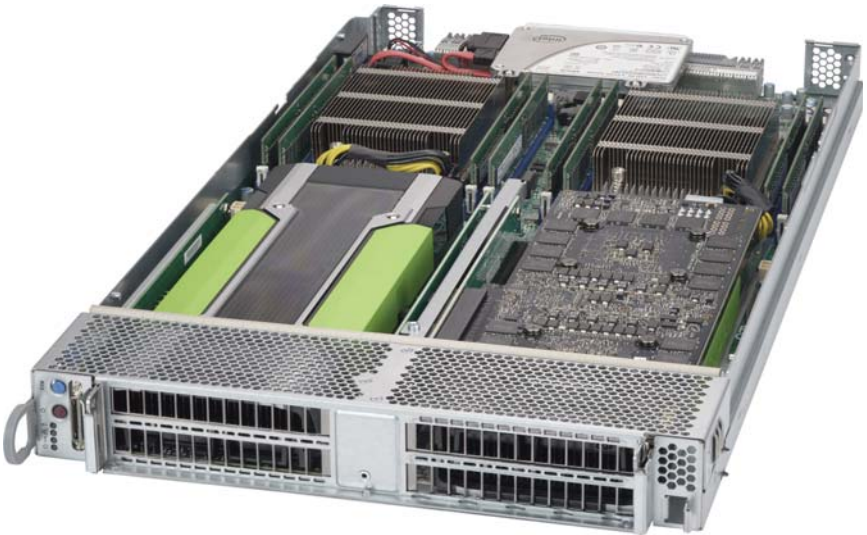




# **SBI-7128RG-X/F/F2 SuperBlade Server Module®**



## **USER'S MANUAL**

Revision 1.0

The information in this User's Manual has been carefully reviewed and is believed to be accurate. The vendor assumes no responsibility for any inaccuracies that may be contained in this document, makes no commitment to update or to keep current the information in this manual, or to notify any person or organization of the updates. **Please Note: For the most up-to-date version of this manual, please see our web site at [www.supermicro.com](http://www.supermicro.com).**

Super Micro Computer, Inc. ("Supermicro") reserves the right to make changes to the product described in this manual at any time and without notice. This product, including software and documentation, is the property of Supermicro and/or its licensors, and is supplied only under a license. Any use or reproduction of this product is not allowed, except as expressly permitted by the terms of said license.

IN NO EVENT WILL SUPERMICRO BE LIABLE FOR DIRECT, INDIRECT, SPECIAL, INCIDENTAL, SPECULATIVE OR CONSEQUENTIAL DAMAGES ARISING FROM THE USE OR INABILITY TO USE THIS PRODUCT OR DOCUMENTATION, EVEN IF ADVISED OF THE POSSIBILITY OF SUCH DAMAGES. IN PARTICULAR, SUPERMICRO SHALL NOT HAVE LIABILITY FOR ANY HARDWARE, SOFTWARE, OR DATA STORED OR USED WITH THE PRODUCT, INCLUDING THE COSTS OF REPAIRING, REPLACING, INTEGRATING, INSTALLING OR RECOVERING SUCH HARDWARE, SOFTWARE, OR DATA.

Any disputes arising between manufacturer and customer shall be governed by the laws of Santa Clara County in the State of California, USA. The State of California, County of Santa Clara shall be the exclusive venue for the resolution of any such disputes. Super Micro's total liability for all claims will not exceed the price paid for the hardware product.

FCC Statement: This equipment has been tested and found to comply with the limits for a Class A digital device pursuant to Part 15 of the FCC Rules. These limits are designed to provide reasonable protection against harmful interference when the equipment is operated in a commercial environment. This equipment generates, uses, and can radiate radio frequency energy and, if not installed and used in accordance with the manufacturer's instruction manual, may cause harmful interference with radio communications. Operation of this equipment in a residential area is likely to cause harmful interference, in which case you will be required to correct the interference at your own expense.

California Best Management Practices Regulations for Perchlorate Materials: This Perchlorate warning applies only to products containing CR (Manganese Dioxide) Lithium coin cells. Perchlorate Material-special handling may apply. See [www.dtsc.ca.gov/hazardouswaste/perchlorate](http://www.dtsc.ca.gov/hazardouswaste/perchlorate) for further details.

**WARNING: HANDLING OF LEAD SOLDER MATERIALS USED IN THIS PRODUCT MAY EXPOSE YOU TO LEAD, A CHEMICAL KNOWN TO THE STATE OF CALIFORNIA TO CAUSE BIRTH DEFECTS AND OTHER REPRODUCTIVE HARM.**

Manual Revision 1.0  
Release Date: March 31, 2016

Unless you request and receive written permission from Super Micro Computer, Inc., you may not copy any part of this document.

Information in this document is subject to change without notice. Other products and companies referred to herein are trademarks or registered trademarks of their respective companies or mark holders.

Copyright © 2016 by Super Micro Computer, Inc.  
All rights reserved.

**Printed in the United States of America**

---

---

# Preface

## About this Manual

This manual is written for professional system integrators, Information Technology professionals, service personnel and technicians. It provides information for the installation and use of Supermicro's SBI-7128RG-X/F/F2 SuperBlade server module. Installation and maintenance should be performed by experienced professionals only.

## Manual Organization

### Chapter 1: Introduction

The first chapter provides a checklist of the main components included with the SBI-7128RG-X/F/F2 SuperBlade server module and describes its main features.

### Chapter 2: System Safety

You should familiarize yourself with this chapter for a general overview of safety precautions that should be followed when installing and servicing the SBI-7128RG-X/F/F2 SuperBlade server module.

### Chapter 3: Setup and Installation

Refer to this chapter for details on installing the SBI-7128RG-X/F/F2 SuperBlade server module into the Superblade chassis. Other sections cover the installation and placement of memory modules and the installation of hard disk drives into the blade module.

### Chapter 4: Blade Module Features

This chapter covers features and component information about the SBI-7128RG-X/F/F2 SuperBlade server module. Included here are descriptions and information for mainboard components, connectors, LEDs and other features of the blade module.

### Chapter 5: BIOS

BIOS setup is covered in this chapter for the SBI-7128RG-X/F/F2 SuperBlade server module.

### Appendix A: BIOS POST Codes

BIOS POST Codes for the SBI-7128RG-X/F/F2 SuperBlade server module are explained in this appendix.

## Notes

---

---

# Table of Contents

<b>Chapter 1 Introduction</b> .....	1-1
1-1 Overview.....	1-1
1-2 Product Checklist of Typical Components.....	1-2
1-3 Blade Module Features.....	1-2
Processors.....	1-2
Memory.....	1-3
Storage.....	1-3
Density.....	1-3
GPU/Xeon Phi Modules.....	1-3
1-4 Contacting Supermicro.....	1-4
<b>Chapter 2 Standardized Warning Statements</b> .....	2-1
2-1 About Standardized Warning Statements.....	2-1
Warning Definition.....	2-1
Installation Instructions.....	2-3
Circuit Breaker.....	2-4
Power Disconnection Warning.....	2-5
Equipment Installation.....	2-6
Restricted Area.....	2-7
Battery Handling.....	2-9
Redundant Power Supplies.....	2-10
Backplane Voltage.....	2-11
Comply with Local and National Electrical Codes.....	2-12
Product Disposal.....	2-13
Hot Swap Fan Warning.....	2-14
Power Cable and AC Adapter.....	2-15
<b>Chapter 3 Setup and Installation</b> .....	3-1
3-1 Overview.....	3-1
3-2 Installing Blade Modules.....	3-1
Powering Up a Blade Unit.....	3-1
Powering Down a Blade Unit.....	3-1
Removing a Blade Unit from the Enclosure.....	3-1
Removing/Replacing the Blade Cover.....	3-2
Installing a Blade Unit into the Enclosure.....	3-2
3-3 Processor Installation.....	3-4

Removing a Processor.....	3-4
Installing a Processor.....	3-5
3-4 Onboard Battery Installation.....	3-10
3-5 Memory Installation.....	3-10
Populating Memory Slots.....	3-10
DIMM Installation.....	3-11
3-6 Hard Drive Installation.....	3-12
3-7 Installing GPU Expansion Cards.....	3-13
<b>Chapter 4 Blade Module Features.....</b>	<b>4-1</b>
4-1 Control Panel.....	4-2
Power Button.....	4-3
KVM Button.....	4-3
LED Indicators.....	4-3
KVM Connector.....	4-3
4-2 B10DRG-TP/IBF/IBF2 Serverboard.....	4-4
Jumpers.....	4-6
CMOS Clear.....	4-6
USB Port Connector.....	4-6
4-3 Blade Unit Components.....	4-7
Memory Support.....	4-8
Hard Disk Drives.....	4-8
Blade Power Consumption Page.....	4-9
<b>Chapter 5 BIOS.....</b>	<b>5-1</b>
5-1 Introduction.....	5-1
System BIOS.....	5-1
How To Change the Configuration Data.....	5-1
Starting the Setup Utility.....	5-1
5-2 BIOS Updates.....	5-2
Flashing BIOS.....	5-2
5-3 Running Setup.....	5-3
5-4 Main BIOS Setup.....	5-4
5-5 Advanced Setup.....	5-5
5-6 Event Logs Setup.....	5-20
5-7 IPMI Setup.....	5-21
5-8 Security.....	5-22
5-9 Boot.....	5-22

5-10 Save & Exit..... 5-23

**Appendix A AMI UEFI BIOS POST Codes.....A-1**

A-1 Checkpoint Ranges .....A-1

A-2 Standard Checkpoints .....A-2

A-3 OEM-Reserved Checkpoint Ranges .....A-9

## Notes

---

---

# Chapter 1

## Introduction

### 1-1 Overview

The SBI-7128RG-X/F/F2 SuperBlade server module is a compact self-contained server that connects into a pre-cabled enclosure that provides power, cooling, management and networking functions. One enclosure for the SBI-7128RG-X/F/F2 SuperBlade server module can hold ten blade units.

The difference between the three blade servers covered in this manual is in their communication ports as shown in the table below:

SuperBlade server module SuperBlade Server Module

MB SKU	System SKU	Communication Ports
B10DRG-TP	SBI-7128RG-X	Two 10GbE onboard LAN ports
B10DRG-IBF	SBI-7128RG-F	Single FDR (56Gbps) InfiniBand onboard ports
B10DRG-IBF2	SBI-7128RG-F2	Dual FDR (56Gbps) InfiniBand onboard ports

In this manual, “blade system” refers to the entire system (including the enclosure and blades units), “blade” or “blade unit” refers to a single blade module and “blade enclosure” is the chassis that the blades, power supplies and modules are housed in.

Please refer to our web site for information on operating systems that have been certified for use with the SuperBlade ([www.supermicro.com/products/superblade/](http://www.supermicro.com/products/superblade/)).

**Note:** For your system to work properly, please follow the links below to download all necessary drivers/utilities and the user’s manual for your server.

- Supermicro product manuals: <http://www.supermicro.com/support/manuals/>
- Product drivers and utilities: <ftp://ftp.supermicro.com>
- Product safety information: [http://www.supermicro.com/about/policies/safety\\_information.cfm](http://www.supermicro.com/about/policies/safety_information.cfm)
- If you have any questions, please contact our support team at: **support@supermicor.com**

**NOTE:** A complete list of safety warnings is provided on the Supermicro web site at [http://www.supermicro.com/about/policies/safety\\_information.cfm](http://www.supermicro.com/about/policies/safety_information.cfm).

## 1-2 Product Checklist of Typical Components

Your blade module ships with its mainboard already installed in its chassis. Memory, hard disk drives/SATA DOM drives, Graphic Processor Units (GPU) and the Central Processor Units (CPU) must all be installed by the user after shipment. See [Chapter 3: "Setup and Installation"](#) on [page 3-1](#) for details on installation of these components.

## 1-3 Blade Module Features

[Table 1-1](#) lists the main features of the SBI-7128RG-X/F/F2 SuperBlade server module. See the proceeding section for components typically included in a blade system and other optional components. Specific details on the SBI-7128RG-X/F/F2 SuperBlade server module is found in [Chapter 4: "Blade Module Features"](#) on [page 4-1](#).

**Table 1-1. SBI-7427RG Blade Specification Features**

Mainboard	B10DRG-TP/IBF/IBF2 (proprietary form factor) Chassis Dimensions (HxWxD): 11.32" x 1.67" x 20.5"
Processors	Single or dual Intel™ Xeon® E5-2600 V3/V4 series 2011-pin (LGA 2011 Socket R) processors. Please refer to our web site for a complete listing of supported processors.
FSB Speed	QPI up to 9.6 GT/s bus speed
Chipset	Intel C610
Graphics Controller	Aspeed AST 2400 VGA graphic controller
BIOS	128 Mb SPI Flash EEPROM with AMI® BIOS
Memory Capacity	Supports up to 512 GB of RDIMM and 1 TB of LRDIMM DDR4 2400/2133 MHz speed SDRAM in eight (8) 240-pin DIMM sockets
Expansion Slots	Two (2) PCI-E 3.0 x16 expansion slots

### Processors

The SBI-7128RG-X/F/F2 SuperBlade server module supports up to dual Intel Xeon E5-2600 V3/V4 series 2011-pin (LGA 2011 Socket R) processors.

Refer to the Supermicro web site for a complete listing of supported processors (<http://www.supermicro.com/products/superblade>). Please note that you will need to check the detailed specifications of a particular blade module for a list of the CPUs it supports.

Details on installation of the processor into the SBI-7128RG-X/F/F2 SuperBlade server module are found in [Chapter 3: "Setup and Installation"](#) on [page 3-1](#).

## Memory

The SBI-7128RG-X/F/F2 SuperBlade server module has eight (8) 240-pin DIMM sockets that can support up to 1 TB of DDR4 2400/2133 MHz speed SDRAM. Both interleaved and non-interleaved memory are supported, so you may populate any number of DIMM slots.

Please refer to the Supermicro web site for a list of supported memory ([www.supermicro.com/products/superblade](http://www.supermicro.com/products/superblade)). The detailed specifications for a blade module will contain a link to a list of recommended memory sizes and manufacturers.

Details on installation of memory modules into the SBI-7128RG-X/F/F2 SuperBlade server module are found in [Chapter 3: "Setup and Installation" on page 3-1](#).

## Storage

The SBI-7128RG-X/F/F2 SuperBlade server module includes two SATA-DOM or one SSD drive that you may use as a storage device for files or an operating system. Optionally you may use the PCI-E slots to support up to eight SATA3 HDD's plus one SSD drive when no GPUs are installed in the system.

## Density

A maximum of ten blade modules may be installed into a single blade enclosure. Each blade enclosure is a 7U form factor, so a standard 42U rack may accommodate up to six enclosures with 60 blade modules, or the equivalent of 60 1U servers. With the inclusion of six CMM modules, twelve Gigabit Ethernet switches and twelve InfiniBand switches, this would occupy up to 90U space in a conventional 1U server configuration.

[Figure 1-4](#) displays a view of a full rack with six blade enclosures in it, each with ten blades to an enclosure.

## GPU/Xeon Phi Modules

The SBI-7128RG-X/F/F2 blade module allows you to install one or two Intel Xeon Phi modules, or alternately one or two Tesla Kepler GPU modules. See [Section 3-7: Installing GPU Expansion Cards on page 3-13](#) for details on installation.

## 1-4 Contacting Supermicro

### Headquarters

Address: Super Micro Computer, Inc.  
980 Rock Ave.  
San Jose, CA 95131 U.S.A.

Tel: +1 (408) 503-8000

Fax: +1 (408) 503-8008

Email: [marketing@supermicro.com](mailto:marketing@supermicro.com) (General Information)  
[support@supermicro.com](mailto:support@supermicro.com) (Technical Support)

Web Site: [www.supermicro.com](http://www.supermicro.com)

### Europe

Address: Super Micro Computer B.V.  
Het Sterrenbeeld 28, 5215 ML  
's-Hertogenbosch, The Netherlands

Tel: +31 (0) 73-6400390

Fax: +31 (0) 73-6416525

Email: [sales@supermicro.nl](mailto:sales@supermicro.nl) (General Information)  
[support@supermicro.nl](mailto:support@supermicro.nl) (Technical Support)  
[rma@supermicro.nl](mailto:rma@supermicro.nl) (Customer Support)

### Asia-Pacific

Address: Super Micro Computer, Inc.  
3F, No. 150, Jian 1st Rd.  
Zhonghe Dist., New Taipei City 23511  
Taiwan (R.O.C)

Tel: +886-(2) 8226-3990

Fax: +886-(2) 8226-3992

Web Site: [www.supermicro.com.tw](http://www.supermicro.com.tw)

Technical Support:

Email: [support@supermicro.com.tw](mailto:support@supermicro.com.tw)

Tel: +886-(2)-8226-3990

---

---

# Chapter 2

## Standardized Warning Statements

### 2-1 About Standardized Warning Statements

The following statements are industry standard warnings, provided to warn the user of situations which have the potential for bodily injury. Should you have questions or experience difficulty, contact Supermicro's Technical Support department for assistance. Only certified technicians should attempt to install or configure components.

Read this appendix in its entirety before installing or configuring components in the Supermicro chassis

These warnings may also be found on our web site at [http://www.supermicro.com/about/policies/safety\\_information.cfm](http://www.supermicro.com/about/policies/safety_information.cfm).

#### Warning Definition



##### Warning!

This warning symbol means danger. You are in a situation that could cause bodily injury. Before you work on any equipment, be aware of the hazards involved with electrical circuitry and be familiar with standard practices for preventing accidents.

##### 警告の定義

この警告サインは危険を意味します。

人身事故につながる可能性がありますので、いずれの機器でも動作させる前に、電気回路に含まれる危険性に注意して、標準的な事故防止策に精通して下さい。

此警告符号代表危險。

您正處於可能受到嚴重傷害的工作環境中。在您使用設備開始工作之前，必須充分意識到觸電的危險，並熟練掌握防止事故發生的標準工作程序。請根據每項警告結尾的聲明號碼找到此設備的安全性警告說明的翻譯文本。

此警告符號代表危險。

您正處於可能身體可能會受損傷的工作環境中。在您使用任何設備之前，請注意觸電的危險，並且要熟悉預防事故發生的標準工作程序。請依照每一注意事項後的號碼找到相關的翻譯說明內容。

## Warnung

### WICHTIGE SICHERHEITSHINWEISE

Dieses Warnsymbol bedeutet Gefahr. Sie befinden sich in einer Situation, die zu Verletzungen führen kann. Machen Sie sich vor der Arbeit mit Geräten mit den Gefahren elektrischer Schaltungen und den üblichen Verfahren zur Vorbeugung vor Unfällen vertraut. Suchen Sie mit der am Ende jeder Warnung angegebenen Anweisungsnummer nach der jeweiligen Übersetzung in den übersetzten Sicherheitshinweisen, die zusammen mit diesem Gerät ausgeliefert wurden.

BEWAHREN SIE DIESE HINWEISE GUT AUF.

### INSTRUCCIONES IMPORTANTES DE SEGURIDAD

Este símbolo de aviso indica peligro. Existe riesgo para su integridad física. Antes de manipular cualquier equipo, considere los riesgos de la corriente eléctrica y familiarícese con los procedimientos estándar de prevención de accidentes. Al final de cada advertencia encontrará el número que le ayudará a encontrar el texto traducido en el apartado de traducciones que acompaña a este dispositivo.

GUARDE ESTAS INSTRUCCIONES.

### IMPORTANTES INFORMATIONS DE SÉCURITÉ

Ce symbole d'avertissement indique un danger. Vous vous trouvez dans une situation pouvant entraîner des blessures ou des dommages corporels. Avant de travailler sur un équipement, soyez conscient des dangers liés aux circuits électriques et familiarisez-vous avec les procédures couramment utilisées pour éviter les accidents. Pour prendre connaissance des traductions des avertissements figurant dans les consignes de sécurité traduites qui accompagnent cet appareil, référez-vous au numéro de l'instruction situé à la fin de chaque avertissement.

CONSERVEZ CES INFORMATIONS.

### תקנתן הצהרות אזהרה

הצהרות הבאות הן אזהרות על פי תקני התעשייה, על מנת להזהיר את המשתמש מפני חבלה פיזית אפשרית. במידה ויש שאלות או היתקלות בבעיה כלשהי, יש ליצור קשר עם מחלקת תמיכה טכנית של סופרמיקרו. טכנאים מוסמכים בלבד רשאים להתקין או להגדיר את הרכיבים.

יש לקרוא את הנספח במלואו לפני התקנת או הגדרת הרכיבים במארזי סופרמיקרו.

تحذير! هذا الرمز يعني خطر انك في حالة يمكن أن تتسبب في اصابة جسدية .  
قبل أن تعمل على أي معدات، كن على علم بالمخاطر الناجمة عن الدوائر  
الكهربائية

وكن على دراية بالممارسات الوقائية لمنع وقوع أي حوادث  
استخدم رقم البيان المنصوص في نهاية كل تحذير للعثور ترجمتها

안전을 위한 주의사항

경고!

이 경고 기호는 위험이 있음을 알려 줍니다. 작업자의 신체에 부상을 야기 할 수 있는 상태에 있게 됩니다. 모든 장비에 대한 작업을 수행하기 전에 전기회로와 관련된 위험 요소들을 확인하시고 사전에 사고를 방지할 수 있도록 표준 작업절차를 준수해 주시기 바랍니다.

해당 번역문을 찾기 위해 각 경고의 마지막 부분에 제공된 경고문 번호를 참조하십시오

### **BELANGRIJKE VEILIGHEIDSINSTRUCTIES**

Dit waarschuwings symbool betekent gevaar. U verkeert in een situatie die lichamelijk letsel kan veroorzaken. Voordat u aan enige apparatuur gaat werken, dient u zich bewust te zijn van de bij een elektrische installatie betrokken risico's en dient u op de hoogte te zijn van de standaard procedures om ongelukken te voorkomen. Gebruik de nummers aan het eind van elke waarschuwing om deze te herleiden naar de desbetreffende locatie.

BEWAAR DEZE INSTRUCTIES

### **Installation Instructions**



#### **Warning!**

Read the installation instructions before connecting the system to the power source.

#### **設置手順書**

システムを電源に接続する前に、設置手順書をお読み下さい。

警告

将此系统连接电源前，请先阅读安装说明。

警告

將系統與電源連接前，請先閱讀安裝說明。

#### **Warnung**

Vor dem Anschließen des Systems an die Stromquelle die Installationsanweisungen lesen.

#### **¡Advertencia!**

Lea las instrucciones de instalación antes de conectar el sistema a la red de alimentación.

#### **Attention**

Avant de brancher le système sur la source d'alimentation, consulter les directives d'installation.

יש לקרוא את הוראות התקנה לפני חיבור המערכת למקור מתח.

اقر إرشادات التركيب قبل توصيل النظام إلى مصدر للطاقة  
시스템을 전원에 연결하기 전에 설치 안내를 읽어주십시오.

### Waarschuwing

Raadpleeg de installatie-instructies voordat u het systeem op de voedingsbron aansluit.

### Circuit Breaker



#### Warning!

This product relies on the building's installation for short-circuit (overcurrent) protection. Ensure that the protective device is rated not greater than: 250 V, 20 A.

サーキット・ブレーカー

この製品は、短絡（過電流）保護装置がある建物での設置を前提としています。

保護装置の定格が 250 V、20 A を超えないことを確認下さい。

#### 警告

此产品的短路（过载电流）保护由建筑物的供电系统提供，确保短路保护设备的额定电流不大于 250V,20A。

#### 警告

此產品的短路（過載電流）保護由建築物的供電系統提供，確保短路保護設備的額定電流不大於 250V,20A。

#### Warnung

Dieses Produkt ist darauf angewiesen, dass im Gebäude ein Kurzschluss- bzw. Überstromschutz installiert ist. Stellen Sie sicher, dass der Nennwert der Schutzvorrichtung nicht mehr als: 250 V, 20 A beträgt.

#### ¡Advertencia!

Este equipo utiliza el sistema de protección contra cortocircuitos (o sobrecorrientes) del edificio. Asegúrese de que el dispositivo de protección no sea superior a: 250 V, 20 A.

#### Attention

Pour ce qui est de la protection contre les courts-circuits (surtension), ce produit dépend de l'installation électrique du local. Vérifiez que le courant nominal du dispositif de protection n'est pas supérieur à :250 V, 20 A.

מוצר זה מסתמך על הגנה המותקנת במבנים למניעת קצר חשמלי. יש לוודא כי  
המכשיר המגן מפני הקצר החשמלי הוא לא יותר מ-250 V, 20 A

هذا المنتج يعتمد على معدات الحماية من الدوائر القصيرة التي تم تثبيتها في  
المبنى  
تأكد من أن تقييم الجهاز الوقائي ليس أكثر من: 20A, 250V

경고 !

이 제품은 전원의 단락 (과전류) 방지에 대해서 전적으로 건물의 관련 설비에 의존합니다. 보호장치의 정격이 반드시 250V(볼트), 20A(암페어)를 초과하지 않도록 해야 합니다.

### Waarschuwing

Dit product is afhankelijk van de kortsluitbeveiliging (overspanning) van uw elektrische installatie. Controleer of het beveiligde apparaat niet groter gedimensioneerd is dan 220V, 20A.

### Power Disconnection Warning



#### Warning!

The system must be disconnected from all sources of power and the power cord removed from the power supply module(s) before accessing the chassis interior to install or remove system components.

#### 電源切斷の警告

システムコンポーネントの取り付けまたは取り外しのために、シャーシ内部にアクセスするには、

システムの電源はすべてのソースから切斷され、電源コードは電源モジュールから取り外す必要があります。

#### 警告

在你打开机箱并安装或移除内部器件前，必須將系統完全斷電，並移除電源線。

#### 警告

在您打開機殼安裝或移除內部元件前，必須將系統完全斷電，並移除電源線。

#### Warnung

Das System muss von allen Quellen der Energie und vom Netzanschlusskabel getrennt sein, das von den Spg.Versorgungsteilmodulen entfernt wird, bevor es auf den Chassisinnenraum zurückgreift, um Systemsbestandteile anzubringen oder zu entfernen.

**¡Advertencia!**

El sistema debe ser disconnected de todas las fuentes de energía y del cable eléctrico quitado de los módulos de fuente de alimentación antes de tener acceso el interior del chasis para instalar o para quitar componentes de sistema.

**Attention**

Le système doit être débranché de toutes les sources de puissance ainsi que de son cordon d'alimentation secteur avant d'accéder à l'intérieur du châssis pour installer ou enlever des composants de système.

**אזהרה מפני ניתוק חשמלי**

**!אזהרה!**

יש לנתק את המערכת מכל מקורות החשמל ויש להסיר את כבל החשמלי מהספק לפני גישה לחלק הפנימי של המארז לצורך התקנת או הסרת רכיבים.

يجب فصل النظام من جميع مصادر الطاقة وإزالة سلك الكهرباء من وحدة امداد الطاقة قبل

الوصول إلى المناطق الداخلية للهيكل لتثبيت أو إزالة مكونات الجهاز

경고 !

시스템에 부품들을 장착하거나 제거하기 위해서는 채시 내부에 접근하기 전에 반드시 전원 공급장치로부터 연결되어있는 모든 전원과 전기코드를 분리해주어야 합니다.

**Waarschuwing**

Voordat u toegang neemt tot het binnenwerk van de behuizing voor het installeren of verwijderen van systeem onderdelen, dient u alle spanningsbronnen en alle stroomkabels aangesloten op de voeding(en) van de behuizing te verwijderen.

**Equipment Installation**



**Warning!**

Only trained and qualified personnel should be allowed to install, replace, or service this equipment.

**機器の設置**

トレーニングを受け認定された人だけがこの装置の設置、交換、またはサービスを許可されています。

**警告**

只有经过培训且具有资格的人员才能进行此设备的安装、更换和维修。

**警告**

只有經過受訓且具資格人員才可安裝、更換與維修此設備。

**Warnung**

Das Installieren, Ersetzen oder Bedienen dieser Ausrüstung sollte nur geschultem, qualifiziertem Personal gestattet werden.

**¡Advertencia!**

Solamente el personal calificado debe instalar, reemplazar o utilizar este equipo.

**Attention**

Il est vivement recommandé de confier l'installation, le remplacement et la maintenance de ces équipements à des personnels qualifiés et expérimentés.

**אזהרה!**

צוות מוסמך בלבד רשאי להתקין, להחליף את הציוד או לתת שירות עבור הציוד.

يجب أن يسمح فقط للموظفين المؤهلين والمدربين لتكيب واستبدال أو خدمة هذا الجهاز  
경고!

훈련을 받고 공인된 기술자만이 이 장비의 설치, 교체 또는 서비스를 수행할 수 있습니다.

**Waarschuwing**

Deze apparatuur mag alleen worden geïnstalleerd, vervangen of hersteld door geschoold en gekwalificeerd personeel.

**Restricted Area**



**Warning!**

This unit is intended for installation in restricted access areas. A restricted access area can be accessed only through the use of a special tool, lock and key, or other means of security. (This warning does not apply to workstations).

**アクセス制限区域**

このユニットは、アクセス制限区域に設置されることを想定しています。

アクセス制限区域は、特別なツール、鍵と錠前、その他のセキュリティの手段を用いてのみ出入りが可能です。

**警告**

此部件应安装在限制进出的场所，限制进出的场所指只能通过使用特殊工具、锁和钥匙或其它安全手段进出的场所。

**警告**

此裝置僅限安裝於進出管制區域，進出管制區域係指僅能以特殊工具、鎖頭及鑰匙或其他安全方式才能進入的區域。

### Warnung

Diese Einheit ist zur Installation in Bereichen mit beschränktem Zutritt vorgesehen. Der Zutritt zu derartigen Bereichen ist nur mit einem Spezialwerkzeug, Schloss und Schlüssel oder einer sonstigen Sicherheitsvorkehrung möglich.

### ¡Advertencia!

Esta unidad ha sido diseñada para instalación en áreas de acceso restringido. Sólo puede obtenerse acceso a una de estas áreas mediante la utilización de una herramienta especial, cerradura con llave u otro medio de seguridad.

### Attention

Cet appareil doit être installée dans des zones d'accès réservés. L'accès à une zone d'accès réservé n'est possible qu'en utilisant un outil spécial, un mécanisme de verrouillage et une clé, ou tout autre moyen de sécurité.

### אזור עם גישה מוגבלת

#### אזהרה!

יש להתקין את היחידה באזורים שיש בהם הגבלת גישה. הגישה ניתנת בעזרת כלי אבטחה בלבד (מפתח, מנעול וכד').

تم تخصيص هذه الوحدة لتركيبها في مناطق محظورة .  
يمكن الوصول إلى منطقة محظورة فقط من خلال استخدام أداة خاصة،  
قفل ومفتاح أو أي وسيلة أخرى للأمان

경고 !

이 장치는 접근이 제한된 구역에 설치하도록 되어있습니다. 특수도구, 잠금 장치 및 키, 또는 기타 보안 수단을 통해서만 접근 제한 구역에 들어갈 수 있습니다.

### Waarschuwing

Dit apparaat is bedoeld voor installatie in gebieden met een beperkte toegang. Toegang tot dergelijke gebieden kunnen alleen verkregen worden door gebruik te maken van speciaal gereedschap, slot en sleutel of andere veiligheidsmaatregelen.

## Battery Handling



### Warning!

There is the danger of explosion if the battery is replaced incorrectly. Replace the battery only with the same or equivalent type recommended by the manufacturer. Dispose of used batteries according to the manufacturer's instructions.

### 電池の取り扱い

電池交換が正しく行われなかった場合、破裂の危険性があります。交換する電池はメーカーが推奨する型、または同等のものを使用下さい。使用済電池は製造元の指示に従って処分して下さい。

### 警告

電池更換不當會有爆炸危險。請只使用同類電池或製造商推薦的功能相當的電池更換原有電池。請按製造商的說明處理廢舊電池。

### 警告

電池更換不當會有爆炸危險。請使用製造商建議之相同或功能相當的電池更換原有電池。請按照製造商的說明指示處理廢棄舊電池。

### Warnung

Bei Einsetzen einer falschen Batterie besteht Explosionsgefahr. Ersetzen Sie die Batterie nur durch den gleichen oder vom Hersteller empfohlenen Batterietyp. Entsorgen Sie die benutzten Batterien nach den Anweisungen des Herstellers.

### Attention

Danger d'explosion si la pile n'est pas remplacée correctement. Ne la remplacer que par une pile de type semblable ou équivalent, recommandée par le fabricant. Jeter les piles usagées conformément aux instructions du fabricant.

### ¡Advertencia!

Existe peligro de explosión si la batería se reemplaza de manera incorrecta. Reemplazar la batería exclusivamente con el mismo tipo o el equivalente recomendado por el fabricante. Desechar las baterías gastadas según las instrucciones del fabricante.

### אזהרה!

קיימת סכנת פיצוץ של הסוללה במידה והוחלפה בדרך לא תקינה. יש להחליף את הסוללה בסוג התואם מחברת יצרן מומלצת.

סילוק הסוללות המשומשות יש לבצע לפי הוראות היצרן.

هناك خطر من انفجار في حالة استبدال البطارية بطريقة غير صحيحة فعليك استبدال البطارية

فقط بنفس النوع أو ما يعادلها كما أوصت به الشركة المصنعة تخلص من البطاريات المستعملة وفقا لتعليمات الشركة الصانعة

경고!

배터리가 올바르게 교체되지 않으면 폭발의 위험이 있습니다. 기존 배터리와 동일하거나 제조사에서 권장하는 동등한 종류의 배터리로만 교체해야 합니다. 제조사의 안내에 따라 사용된 배터리를 처리하여 주십시오.

### Waarschuwing

Er is ontploffingsgevaar indien de batterij verkeerd vervangen wordt. Vervang de batterij slechts met hetzelfde of een equivalent type die door de fabrikant aanbevolen wordt. Gebruikte batterijen dienen overeenkomstig fabrieksvoorschriften afgevoerd te worden.

## Redundant Power Supplies



### Warning!

This unit might have more than one power supply connection. All connections must be removed to de-energize the unit.

### 冗長電源装置

このユニットは複数の電源装置が接続されている場合があります。

ユニットの電源を切るためには、すべての接続を取り外さなければなりません。

### 警告

此部件连接的电源可能不止一个，必须将所有电源断开才能停止给该部件供电。

### 警告

此裝置連接的電源可能不只一個，必須切斷所有電源才能停止對該裝置的供電。

### Warnung

Dieses Gerät kann mehr als eine Stromzufuhr haben. Um sicherzustellen, dass der Einheit kein Strom zugeführt wird, müssen alle Verbindungen entfernt werden.

### ¡Advertencia!

Puede que esta unidad tenga más de una conexión para fuentes de alimentación. Para cortar por completo el suministro de energía, deben desconectarse todas las conexiones.

### Attention

Cette unité peut avoir plus d'une connexion d'alimentation. Pour supprimer toute tension et tout courant électrique de l'unité, toutes les connexions d'alimentation doivent être débranchées.

**אם קיים יותר מספק אחד**

**אזהרה!**

ליחידה יש יותר מחיבור אחד של ספק. יש להסיר את כל החיבורים על מנת לרוקן את היחידה.

قد يكون لهذا الجهاز عدة اتصالات بوحدات امداد الطاقة.  
يجب إزالة كافة الاتصالات لعزل الوحدة عن الكهرباء

경고 !

이 장치에는 한 개 이상의 전원 공급 단자가 연결되어 있을 수 있습니다. 이 장치에 전원을 차단하기 위해서는 모든 연결 단자를 제거해야만 합니다.

### Waarschuwing

Deze eenheid kan meer dan één stroomtoevoeraansluiting bevatten. Alle aansluitingen dienen verwijderd te worden om het apparaat stroomloos te maken

### Backplane Voltage



#### Warning!

Hazardous voltage or energy is present on the backplane when the system is operating. Use caution when servicing.

バックプレーンの電圧

システムの稼働中は危険な電圧または電力が、バックプレーン上にかかっています。

修理する際には注意ください。

警告

当系统正在进行时，背板上有很危险的电压或能量，进行维修时务必小心。

警告

當系統正在進行時，背板上有危險的電壓或能量，進行維修時務必小心。

### Warnung

Wenn das System in Betrieb ist, treten auf der Rückwandplatine gefährliche Spannungen oder Energien auf. Vorsicht bei der Wartung.

### ¡Advertencia!

Quando el sistema está en funcionamiento, el voltaje del plano trasero es peligroso. Tenga cuidado cuando lo revise.

### Attention

Lorsque le système est en fonctionnement, des tensions électriques circulent sur le fond de panier. Prendre des précautions lors de la maintenance.

מתח בפנל האחורי

אזהרה !

קיימת סכנת מתח בפנל האחורי בזמן תפעול המערכת. יש להיזהר במהלך העבודה.

هناك خطر من التيار الكهربائي أو الطاقة الموجودة على اللوحة  
عندما يكون النظام يعمل كن حذرا عند خدمة هذا الجهاز

경고 !

시스템이 동작 중일 때 후면판 (Backplane) 에는 위험한 전압이나 에너지가 발생 합니다. 서비스 작업 시 주의하십시오 .

### Waarschuwing

Een gevaarlijke spanning of energie is aanwezig op de backplane wanneer het systeem in gebruik is. Voorzichtigheid is geboden tijdens het onderhoud.

## Comply with Local and National Electrical Codes



### Warning!

Installation of the equipment must comply with local and national electrical codes.

地方および国の電気規格に準拠

機器の取り付けはその地方および国の電気規格に準拠する必要があります。

警告

设备安装必须符合本地与本国电气法规。

警告

設備安裝必須符合本地與本國電氣法規。

### Warnung

Die Installation der Geräte muss den Sicherheitsstandards entsprechen.

### ¡Advertencia!

La instalacion del equipo debe cumplir con las normas de electricidad locales y nacionales.

### Attention

L'équipement doit être installé conformément aux normes électriques nationales et locales.

## תיאום חוקי החשמל הארצי

אזהרה !

התקנת הציוד חייבת להיות תואמת לחוקי החשמל המקומיים והארציים.

تركيب المعدات الكهربائية يجب أن يمتثل للقوانين المحلية والوطنية المتعلقة  
بالكهرباء

경고!

현 지역 및 국가의 전기 규정에 따라 장비를 설치해야 합니다.

### Waarschuwing

Bij installatie van de apparatuur moet worden voldaan aan de lokale en nationale elektriciteitsvoorschriften.

## Product Disposal



### Warning!

Ultimate disposal of this product should be handled according to all national laws and regulations.

### 製品の廃棄

この製品を廃棄処分する場合、国の関係する全ての法律・条例に従い処理する必要があります。

### 警告

本产品的废弃处理应根据所有国家的法律和规章进行。

### 警告

本產品的廢棄處理應根據所有國家的法律和規章進行。

### Warnung

Die Entsorgung dieses Produkts sollte gemäß allen Bestimmungen und Gesetzen des Landes erfolgen.

### ¡Advertencia!

Al deshacerse por completo de este producto debe seguir todas las leyes y reglamentos nacionales.

### Attention

La mise au rebut ou le recyclage de ce produit sont généralement soumis à des lois et/ou directives de respect de l'environnement. Renseignez-vous auprès de l'organisme compétent.

## סילוק המוצר

אזהרה!

סילוק סופי של מוצר זה חייב להיות בהתאם להנחיות וחוקי המדינה.

عند التخلص النهائي من هذا المنتج ينبغي التعامل معه وفقا لجميع القوانين واللوائح الوطنية

경고!

이 제품은 해당 국가의 관련 법규 및 규정에 따라 폐기되어야 합니다.

### Waarschuwing

De uiteindelijke verwijdering van dit product dient te geschieden in overeenstemming met alle nationale wetten en reglementen.

## Hot Swap Fan Warning



### Warning!

The fans might still be turning when you remove the fan assembly from the chassis. Keep fingers, screwdrivers, and other objects away from the openings in the fan assembly's housing.

### ファン・ホットスワップの警告

シャーシから冷却ファン装置を取り外した際、ファンがまだ回転している可能性があります。ファンの開口部に、指、ドライバー、およびその他のものを近づけないで下さい。

### 警告

当您从机架移除风扇装置，风扇可能仍在转动。小心不要将手指、螺丝起子和其他物品太靠近风扇。

### 警告

當您從機架移除風扇裝置，風扇可能仍在轉動。小心不要將手指、螺絲起子和其他物品太靠近風扇。

### Warnung

Die Lüfter drehen sich u. U. noch, wenn die Lüfterbaugruppe aus dem Chassis genommen wird. Halten Sie Finger, Schraubendreher und andere Gegenstände von den Öffnungen des Lüftergehäuses entfernt.

### ¡Advertencia!

Los ventiladores podran dar vuelta cuando usted quite ell montaje del ventilador del chasis. Mandtenga los dedos, los destornilladores y todos los objetos lejos de las aberturas del ventilador

### Attention

Il est possible que les ventilateurs soient toujours en rotation lorsque vous retirerez le bloc ventilateur du châssis. Prenez garde à ce que doigts, tournevis et autres objets soient éloignés du logement du bloc ventilateur.

! אזהרה

כאשר מסירים את חלקי המאוורר מהמארו, יתכן והמאווררים עדיין עובדים. יש להרחיק למרחק בטוח את האצבעות וכלי עבודה שונים מהפתחים בתוך המאוורר

من الممكن أن المراوح لا تزال تدور عند إزالة كتلة المروحة من الهيكل يجب إبقاء الأصابع ومفكات البراغي وغيرها من الأشياء بعيدا عن الفتحات في كتلة المروحة.

경고 !

새시로부터 팬 조립품을 제거할 때 팬은 여전히 회전하고 있을 수 있습니다. 팬 조립품 외관의 열려있는 부분들로부터 손가락 및 스크류드라이버, 다른 물체들이 가까이 하지 않도록 배치해 주십시오.

### Waarschuwing

Het is mogelijk dat de ventilator nog draait tijdens het verwijderen van het ventilatorsamenstel uit het chassis. Houd uw vingers, schroevendraaiers en eventuele andere voorwerpen uit de buurt van de openingen in de ventilatorbehuizing.

## Power Cable and AC Adapter



### Warning!

When installing the product, use the provided or designated connection cables, power cables and AC adaptors. Using any other cables and adaptors could cause a malfunction or a fire. Electrical Appliance and Material Safety Law prohibits the use of UL or CSA -certified cables (that have UL/CSA shown on the code) for any other electrical devices than products designated by Supermicro only.

### 電源コードと AC アダプター

製品を設置する場合、提供または指定された接続ケーブル、電源コードと AC アダプターを使用下さい。他のケーブルやアダプタを使用すると故障や火災の原因になることがあります。電気用品安全法は、UL または CSA 認定のケーブル (UL/CSE マークがコードに表記) を Supermicro が指定する製品以外に使用することを禁止しています。

### 警告

安装此产品时,请使用本身提供的或指定的连接线,电源线和电源适配器.使用其它线材或适配器可能会引起故障或火灾。除了 Supermicro 所指定的产品,电气用品和材料安全法律规定禁止使用未经 UL 或 CSA 认证的线材。(线材上会显示 UL/CSA 符号)。

### 警告

安裝此產品時,請使用本身提供的或指定的連接線,電源線和電源適配器.使用其它線材或適配器可能會引起故障或火災。除了 Supermicro 所指定的產品,電氣用品和材料安全法律規定禁止使用未經 UL 或 CSA 認證的線材。(線材上會顯示 UL/CSA 符號)。

## Warnung

Bei der Installation des Produkts, die zur Verfügung gestellten oder benannt Anschlusskabel, Stromkabel und Netzteile. Verwendung anderer Kabel und Adapter kann zu einer Fehlfunktion oder ein Brand entstehen. Elektrische Geräte und Material Safety Law verbietet die Verwendung von UL-oder CSA-zertifizierte Kabel, UL oder CSA auf der Code für alle anderen elektrischen Geräte als Produkte von Supermicro nur bezeichnet gezeigt haben.

## ¡Advertencia!

Al instalar el producto, utilice los cables de conexión previstos o designados, los cables y adaptadores de CA. La utilización de otros cables y adaptadores podría ocasionar un mal funcionamiento o un incendio. Aparatos Eléctricos y la Ley de Seguridad del Material prohíbe el uso de UL o CSA cables certificados que tienen UL o CSA se muestra en el código de otros dispositivos eléctricos que los productos designados por Supermicro solamente.

## Attention

Lors de l'installation du produit, utilisez les bables de connection fournis ou désigné. L'utilisation d'autres cables et adaptateurs peut provoquer un dysfonctionnement ou un incendie. Appareils électroménagers et de loi sur la sécurité Matériel interdit l'utilisation de UL ou CSA câbles certifiés qui ont UL ou CSA indiqué sur le code pour tous les autres appareils électriques que les produits désignés par Supermicro seulement.

## חשמליים ומתאמי AC

אזהרה!

כאשר מתקינים את המוצר, יש להשתמש בכבלים, ספקים ומתאמים AC אשר נועדו וסופקו לשם כך. שימוש בכל כבל או מתאם אחר יכול לגרום לתקלה או קצר חשמלי. על פי חוקי שימוש במכשירי חשמל וחוקי בטיחות, קיים איסור להשתמש בכבלים המוסמכים ב- UL או ב- CSA (כשאר מופיע עליהם קוד של UL/CSA) עבור כל מוצר חשמלי אחר שלא צוין על ידי סופרקמיקרו בלבד.

عند تركيب الجهاز يجب استخدام كابلات التوصيل، والكابلات الكهربائية

ومحولات التيار المتردد

التي . أن استخدام أي كابلات ومحولات أخرى يتسبب في حدوث عطل أو حريق.

تم توفيرها لك مع المنتج

الأجهزة الكهربائية ومواد قانون السلامة يحظر استخدام الكابلات UL أو CSA

معتمدة من قبل

لأي أجهزة كهربائية أخرى غير المنتجات المعينة من قبل Supermicro

(التي تحمل علامة UL/CSA)

### 경고 !

제품을 설치할 때에는 제공되거나 지정된 연결케이블과 전원케이블, AC 어댑터를 사용해야 합니다. 그 밖의 다른 케이블들이나 어댑터들은 고장 또는 화재의 원인이 될 수 있습니다. 전기용품안전법 (Electrical Appliance and Material Safety Law) 은 슈퍼마이크로에서 지정한 제품들 외에는 그 밖의 다른 전기 장치들을 위한 UL 또는 CSA 에서 인증한 케이블 (전선 위에 UL/CSA 가 표시) 들의 사용을 금지합니다.

### **Waarschuwing**

Bij het installeren van het product, gebruik de meegeleverde of aangewezen kabels, stroomkabels en adapters. Het gebruik van andere kabels en adapters kan leiden tot een storing of een brand. Elektrisch apparaat en veiligheidsinformatiebladen wet verbiedt het gebruik van UL of CSA gecertificeerde kabels die UL of CSA die op de code voor andere elektrische apparaten dan de producten die door Supermicro alleen.

## Notes

# Chapter 3

## Setup and Installation

### 3-1 Overview

This chapter covers the setup and installation of the blade module and its components.

### 3-2 Installing Blade Modules

Up to ten SBI-7128RG-X/F/F2 SuperBlade server modules may be installed into a single blade enclosure (depending upon your enclosure and blade). Blade modules with Windows and Linux operating systems may be mixed together in the same blade enclosure.

#### Powering Up a Blade Unit

Each blade unit may be powered on and off independently from the rest of the blades installed in the same enclosure. A blade unit may be powered up in two ways:

- Press the power button on the blade unit to power up each blade, one at a time.
- Use IPMIView or the web-browser based management utility to apply power using either a CMM module, or by the use of the onboard BMC chip in the blade module.

#### Powering Down a Blade Unit

A blade unit may be powered down in either of the following ways:

- Press the power button on the blade unit.
- Use IPMIView or the web-browser based management utility to power down (if you have Operator or Admin privileges on the CMM).
- Use IPMItool when connected to the CMM to power down (if you have Operator or Admin privileges on the CMM).

#### Removing a Blade Unit from the Enclosure

Although the blade system may continue to run, individual blades should always be powered down before removing them from the enclosure.

##### *Removing a Blade Unit from the Enclosure*

1. Power down the blade unit (see "[Powering Down a Blade Unit](#)" above).
2. Squeeze both handles to depress the red sections then pull out both handles completely and use them to pull the blade unit from the enclosure.

**NOTE:** Blade Modules can be Hot-Plugged from the enclosure.

## Removing/Replacing the Blade Cover

The blade cover must be removed to access the mainboard when you need to install or remove processors, memory units, the onboard battery and so on.

### *Removing/Replacing the Blade Cover*

1. Remove the blade unit from the enclosure (see "[Removing a Blade Unit from the Enclosure](#)" above).
2. Remove the retaining screw from the top of the blade cover, then depress the two buttons on the cover while pushing the cover toward the rear of the blade unit. When it stops, lift the cover off the blade unit.
3. To replace the cover, fit the six grooves in the cover into the studs in the sides of the blade, then slide the cover toward the front of the blade to lock it into place. Rescrew the blade cover retaining screw back into place.

## Installing a Blade Unit into the Enclosure

Make sure the cover of the blade unit has been replaced first before installing a blade unit in the enclosure.

### *Installing a Blade Unit into the Enclosure*

1. Slowly push the blade unit into its bay with the handles fully pulled out (see [Figure 3-1](#)).
2. When the blade stops, it will lock into place in the enclosure from the locking tabs (see [Figure 3-2](#)).

**NOTE:** Blade Modules can be Hot-Plugged into the enclosure.

**WARNING: Use extreme caution when inserting a blade module into the enclosure.** If the blade's power connector becomes damaged, it can damage pins on other blade bays that it is inserted into.

**NOTE:** The below illustrations in [Figure 3-1](#) and [Figure 3-2](#) demonstrate the removal and insertion for all Supermicro blade modules. Your blade module or enclosure may appear different than illustrated but uses the same handles and method of insertion.

**Figure 3-1. Inserting a Blade into the Enclosure**

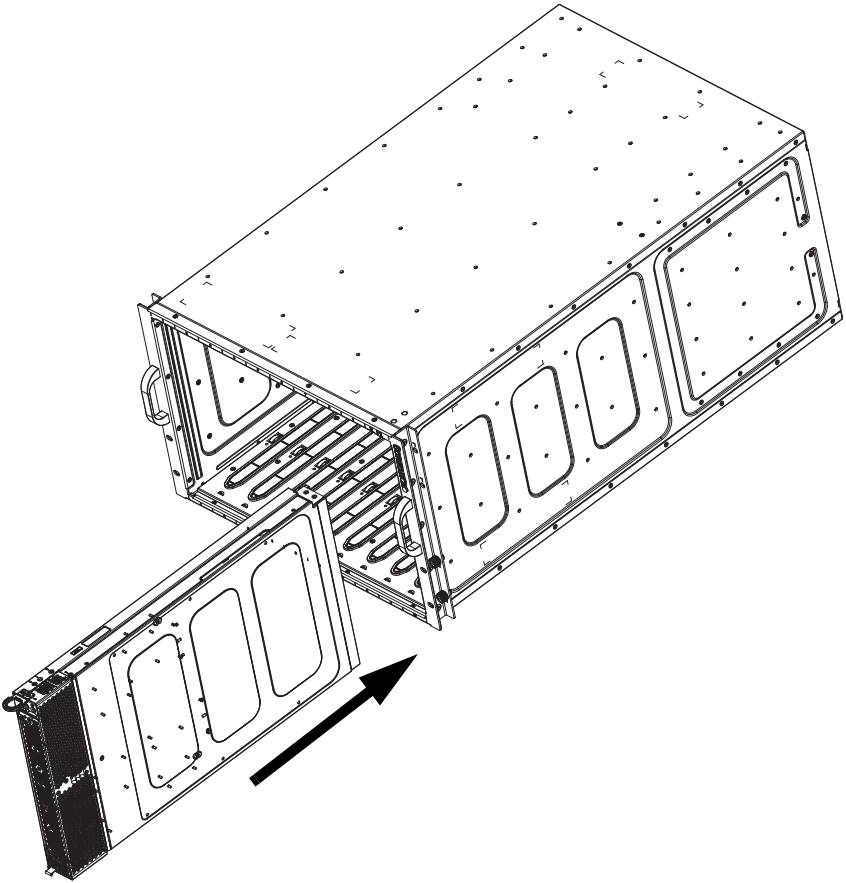
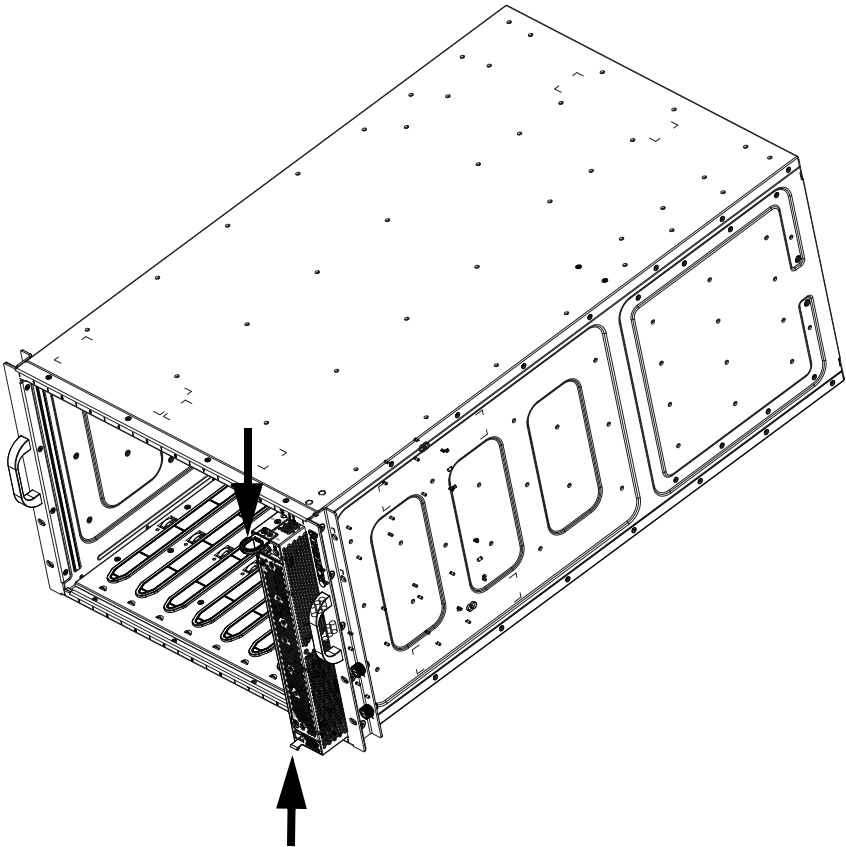


Figure 3-2. Locking the Blade into Position



### 3-3 Processor Installation

One or two processors may be installed to the mainboard of each blade unit. See [Chapter 1](#) for general information on the features of the blade unit and the [Supernano web site](#) for further details including processor, memory and operating system support.

**WARNING:** This action should only be performed by a trained service technician. Allow the processor heatsink to cool before removing it.

#### Removing a Processor

**WARNING:** This action should only be performed by a trained service technician.

### **Removing a Processor**

1. Power down and remove the blade unit from the enclosure (see [Section 3-2: Installing Blade Modules on page 3-1](#) for details).
2. Remove the cover of the blade unit (see ["Removing/Replacing the Blade Cover" on page 3-2](#)).
3. Loosen the four screws that secure the heatsink to the mainboard.
4. Remove the heatsink by *gently* rotating it back-and-forth sideways with your fingers to release it from the processor. Set the heatsink aside and upside-down so that nothing comes into contact with the thermal grease on its underside.
5. Raise the lever of the processor socket up until the processor is released from the socket, then lift the silver cover plate and remove the processor.
6. Reapply plastic socket covers to the LGA2011 sockets to prevent pin damage.

### **Installing a Processor**

**WARNING:** When handling the processor package, avoid placing direct pressure on the label area.

**WARNING:** Always connect the power cord last, and always remove it before adding, removing or changing any hardware components. Make sure that you install the processor into the CPU socket before you install the CPU heatsink.

**WARNING: Important!** If you buy a CPU separately, make sure that you use an Intel-certified multi-directional heatsink only.

**Caution:** When receiving a server board without a processor pre-installed, make sure that the plastic CPU socket cap is in place and none of the socket pins are bent; otherwise, contact your retailer immediately.

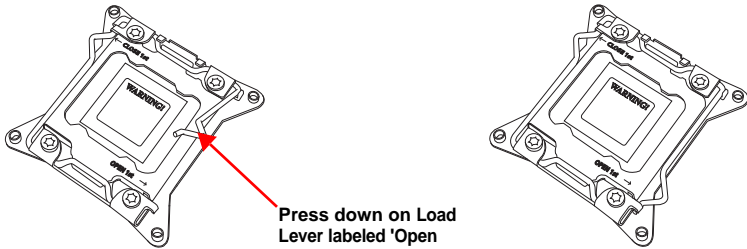
**NOTE:** Make sure to install the system board into the chassis before you install the CPU heatsink.

**NOTE:** Refer to the Supermicro website for updates on CPU support.

### Installing a Processor

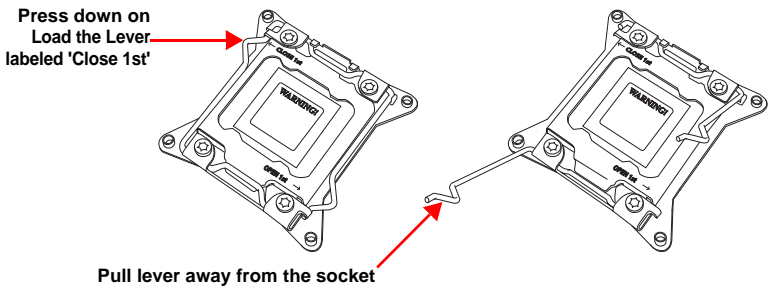
1. There are two load levers on the LGA2011 socket. To open the socket cover, first press and release the load lever labeled 'Open 1st' (Figure 3-3).

Figure 3-3. Open First Load Lever



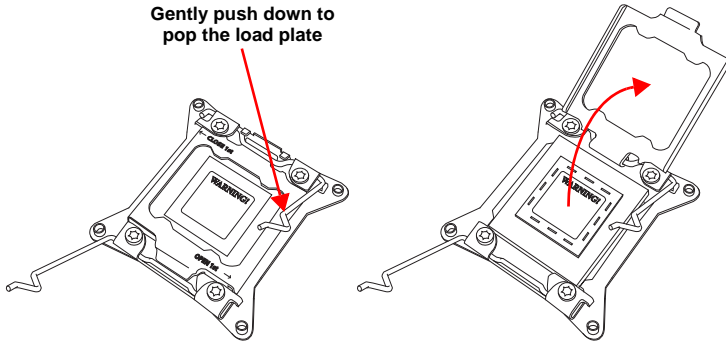
2. Press the second load lever labeled 'Close 1st' to release the load plate that covers the CPU socket from its locking position (Figure 3-4).

Figure 3-4. Close First Load Lever



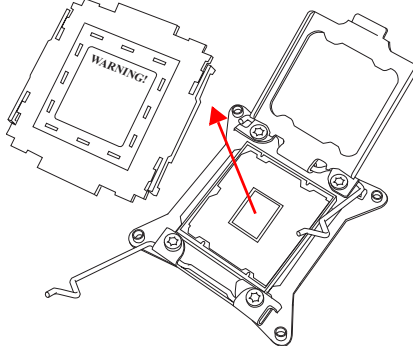
3. With the lever labeled 'Close 1st' fully retracted, gently push down on the 'Open 1st' lever to open the load plate. Lift the load plate to open it completely (Figure 3-5).

**Figure 3-5. Opening the Load Plate**



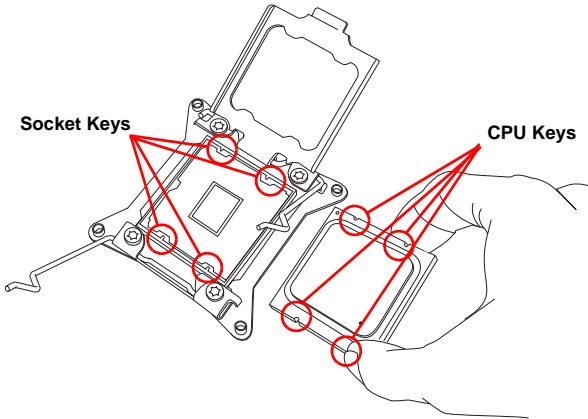
4. Using your thumb and the index finger, remove the 'WARNING' plastic cap from the socket (Figure 3-6).

**Figure 3-6. Removing the Warning Plastic Cap**



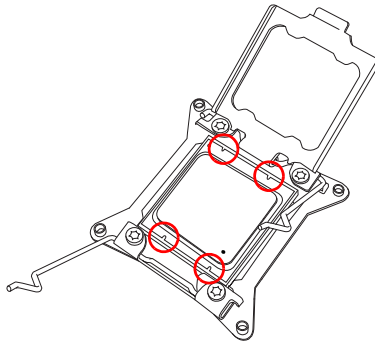
5. Use your thumb and index finger to hold the CPU on its edges. Align the CPU keys, which are semi-circle cutouts, against the socket keys (Figure 3-7).

**Figure 3-7. Aligning CPU Keys with Socket Keys**



6. Once the keys are aligned, carefully lower the CPU straight down into the socket (Figure 3-8). Do not drop the CPU on the socket. Do not move the CPU horizontally or vertically. Do not rub the CPU against the surface or against any pins of the socket to avoid damaging the CPU or the socket.

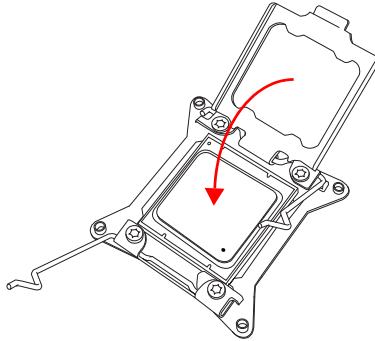
**Figure 3-8. Lowering the CPU into the Socket**



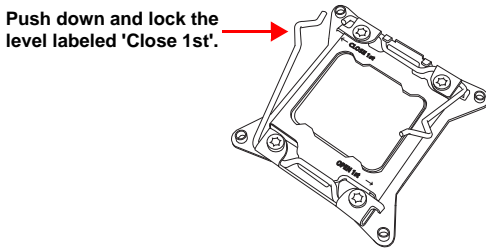
**Caution:** You can only install the CPU inside the socket in one direction. Make sure that the CPU is properly inserted into the CPU socket before closing the load plate. If it doesn't close properly, do not force it as it may damage your CPU. Instead, open the load plate again and double-check that the CPU is aligned properly.

7. With the CPU inside the socket, inspect the four corners of the CPU to make sure that the CPU is properly installed.
8. Close the load plate with the CPU inside the socket ([Figure 3-9](#)). Lock the lever labeled 'Close 1st' first ([Figure 3-10](#)), then lock the lever labeled 'Open 1st' second ([Figure 3-11](#)). Use your thumb to gently push the load levers down to the lever locks.

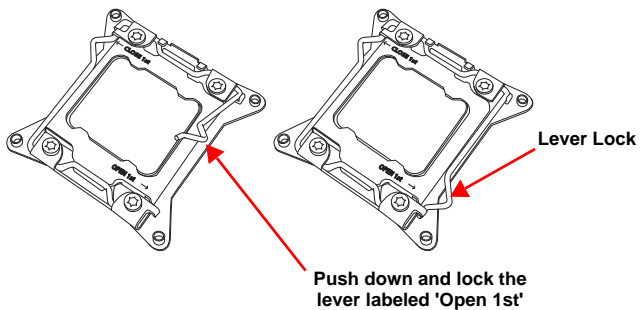
**Figure 3-9. Closing the Load Plate**



**Figure 3-10. Locking the Close First Lever**



**Figure 3-11. Locking the Open 1st Lever**

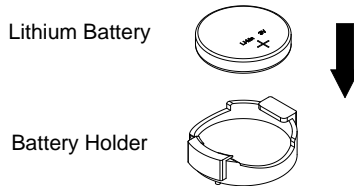


### 3-4 Onboard Battery Installation

A battery is included on the mainboard to supply certain volatile memory components with power when power has been removed from the blade module. If this battery dies, it must be replaced with an equivalent CR2032 Lithium 3V battery. Dispose of used batteries according to the manufacturer's instructions. See [Figure 3-12](#) for a diagram of installing a new onboard battery.

**WARNING:** There is a danger of explosion if the onboard battery is installed upside down, which reverses its polarities.

**Figure 3-12. Installing the Onboard CR2032 Battery**



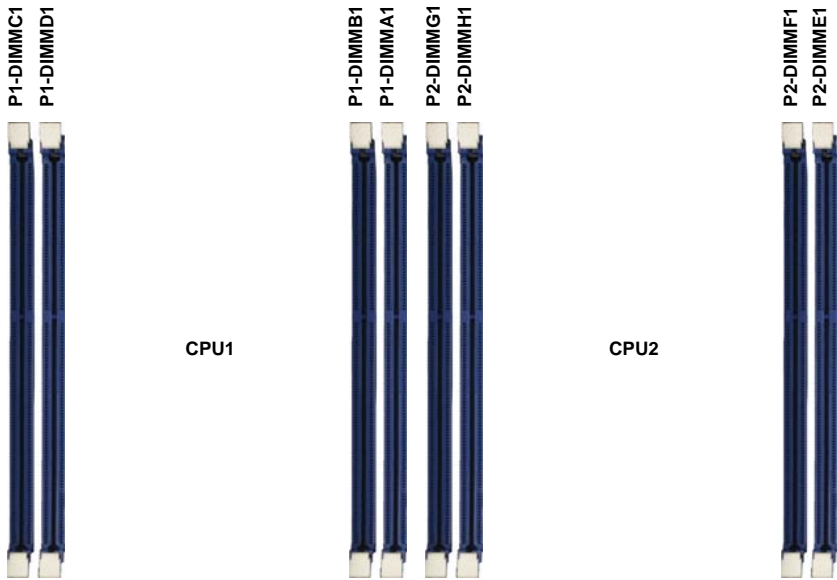
### 3-5 Memory Installation

The mainboard of each blade unit must be populated with DIMMs (Dual In-line Memory Modules) to provide system memory. **The DIMMs should all be of the same size and speed and from the same Super Micro authorized manufacturer due to compatibility issues.** See details below on supported memory and our web site ([www.supermicro.com/products/superblade](http://www.supermicro.com/products/superblade) for recommended memory.

#### Populating Memory Slots

The mainboard of a SBI-7128RG-X/F/F2 blade module has eight (8) memory slots, depending upon the blade model. For optimized memory bandwidth it is strongly recommended that **ALL** memory slots in this SuperBlade server module be populated by DIMMs. DIMM layout is shown in [Figure 3-13](#) on the next page.

Figure 3-13. 8-Slot DIMM Numbering



**NOTE:** Though multiple DIMM memory module types and speeds may be supported, you need to use DIMM memory modules of the same speed and type.

## DIMM Installation

**WARNING:** Exercise extreme care when installing or removing DIMM modules to prevent any possible damage.

### *Installing DIMM Memory Modules*

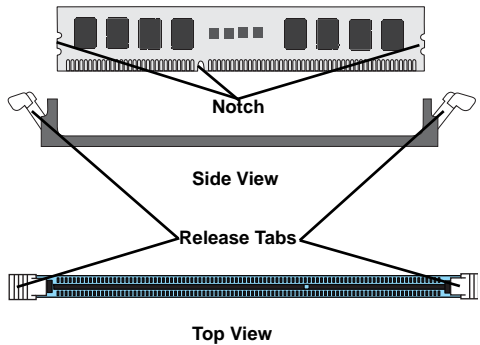
1. Power down the blade module (see ["Powering Down a Blade Unit" on page 3-1](#)).
2. Remove the blade from the enclosure and the cover from the blade (see ["Removing/Replacing the Blade Cover" on page 3-2](#)).
3. Insert each DIMM vertically into its slot, starting with slots 1A and 2A. Pay attention to the notch along the bottom of the module to prevent inserting the DIMM incorrectly (see [Figure 3-14](#)).

**Figure 3-14. Installing a DIMM into a Memory Slot**

**To Install:** Insert module vertically and press down until it snaps into place. Pay attention to the bottom notch.

**To Remove:** Use your thumbs to gently push each release tab outward to free the DIMM from the slot.

**Note:** The notch should align with the receptive key point on the slot.



4. Gently press down on the DIMM until it snaps into place in the slot. Repeat for all modules.
5. Replace the air shroud and the blade cover and install the blade module back into the enclosure.
6. Power up the blade unit (see ["Powering Up a Blade Unit" on page 3-1](#)).

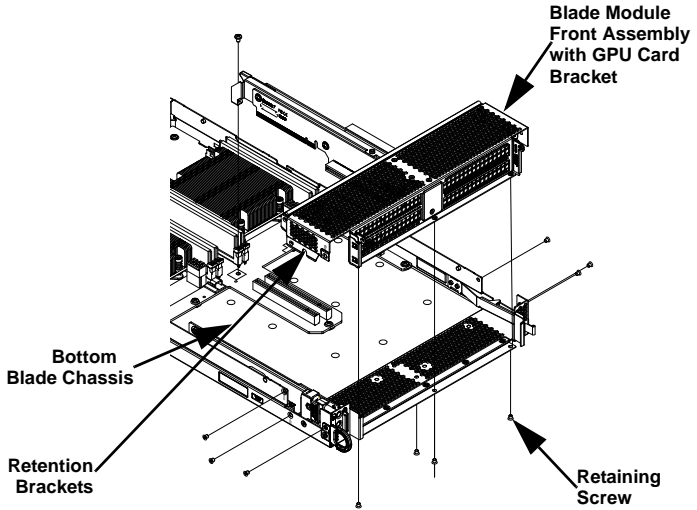
## 3-6 Hard Drive Installation

The SBI-7128RG-X/F/F2 SuperBlade server module includes two SATA-DOM or one SSD drive that you may use as a storage device for files or an operating system. Optionally you may use the PCI-E slots to support up to eight SATA3 HDD's plus one SSD drive when no GPUs are installed in the system. See ["Hard Disk Drives" on page 4-8](#) for more details.

## 3-7 Installing GPU Expansion Cards

If you need to install GPU extension cards into the SBI-7128RG-X/F/F2 blade module, then you must first remove the top cover, and then the Blade Module Front Assembly and GPU PCI-E Expansion Card Bracket first (see [Figure 3-15](#)). Use the procedure below to install GPU cards to the blade module.

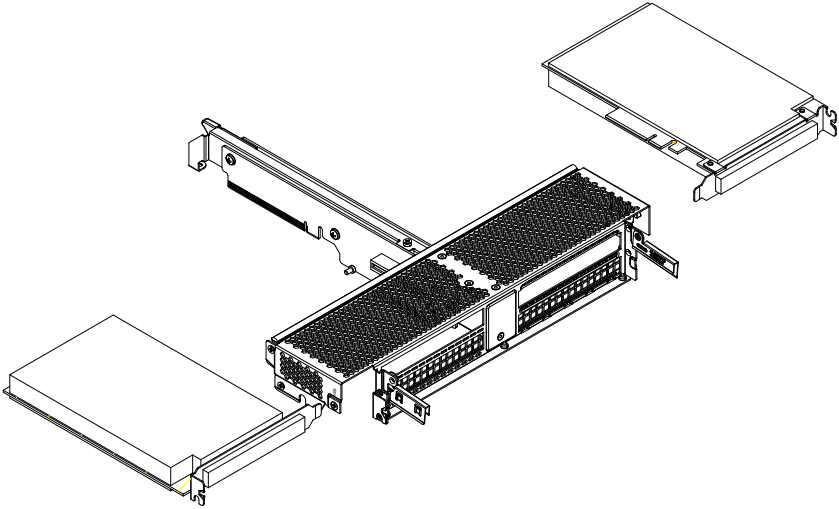
**Figure 3-15. Reassembling the Front Blade Assembly and Top Cover**



***Installing GPU Cards in the Blade Module***

1. Unscrew the retaining screw on the top cover of the blade module and remove the top cover from the module.
2. Remove the retaining screws for the module's riser card and Blade Module front assembly and lift off the front assembly (see [Figure 3-16](#)).

**Figure 3-16. Blade Module Front Assembly**



3. Remove the two retention brackets from the rear of the assembly by removing their four retaining screws and detaching them.
4. Slide the end of the front I/O plate into the reserved I/O slot while inserting the GPU modules into their respective PCI-E slot(s).
5. Reattach the retention brackets with their screws back on the rear of the GPU Modules.
6. The completed Front blade assembly will have the GPU cards connected to the retention brackets and to the riser card's PCI-E connectors for the completed assembly.
7. Reattach the front blade assembly back into the blade module. Resecure it with its fourteen (14) retaining screws and screw the two retention bracket screws to the GPUs and the serverboard (see [step 2. on page 3-14](#)).
8. Install the two GPU card power cables for each GPU card. One end attaches to the GPU card's 8-pin socket, the other end attaches to the power socket on the blade module's serverboard.
9. Replace the top cover and secure it with its one retention screw.

## Notes

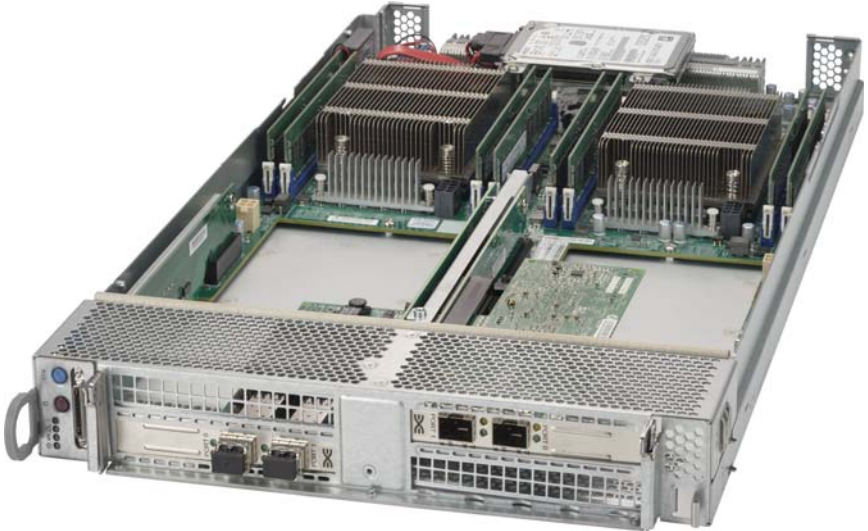
---

---

# Chapter 4

## Blade Module Features

**Figure 4-1. SBI-7128RG-X/F/F2 SuperBlade Server Module Front View**



This chapter describes the SBI-7128RG-X/F/F2 SuperBlade server module. Installation and maintenance should be performed by experienced technicians only.

See [Figure 4-1](#) for a front view of the blade unit and [Table 4-1](#) for its features.

**Table 4-1. SBI-7128RG-X/F/F2 SuperBlade Server Module Features**

Feature	Description
Processors	Supports single or dual 2011-pin (LGA 2011 Socket R) Intel Xeon E5-2600 V3/V4 series processors
Memory	Supports up to 512 GB of RDIMM and 1 TB of LRDIMM DDR4 2400/2133 MHz speed SDRAM in eight (8) 240-pin DIMM sockets
Expansion Slots	Two (2) PCI-E 3.0 x16 expansion slots
Ports	KVM port (1), SATA DOM ports (2)
Features	Aspeed AST 2400 VGA graphic controller, IPMI 2.0, KVM over IP, Virtual Media over LAN

## 4-1 Control Panel

Each blade has a similar control panel (Figure 4-2) with power on/off button, a KVM connector, a KVM button and four LEDs on the top front of the unit. The numbers mentioned in Figure 4-2 are described in Table 4-2.

Figure 4-2. Blade Control Panel

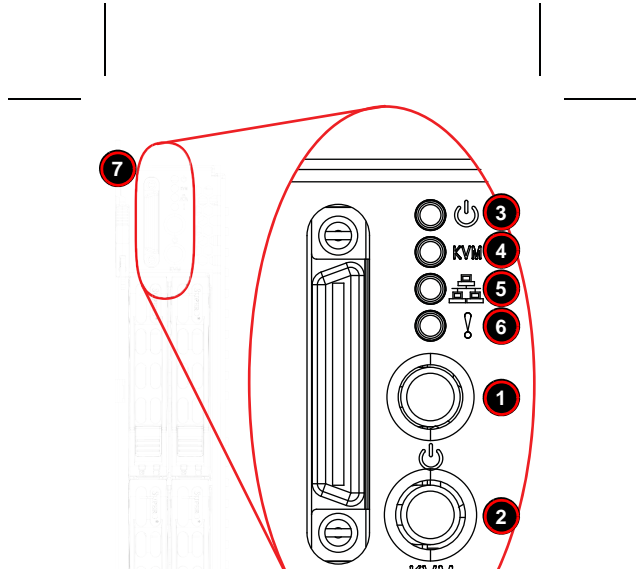


Table 4-2. Blade Control Panel

Item	Function	State	Description
1	Power Button	N/A	Turns blade module on and off
2	KVM Button	N/A	Initiates KVM function
3	Power LED	Green/Amber/Red	See Table 4-3 for details.
4	KVM/UID LED	Blue/Flashing Blue	See Table 4-3 for details.
5	Network/IB LED	Flashing Green/Flashing Orange	See Table 4-3 for details.
6	System Fault LED	Red	See Table 4-3 for details.
7	KVM Connector	N/A	Connector for SUV/KVM cable

## Power Button

Each blade has its own power button so that individual blade units within the enclosure may be turned on or off independently of the others. Press the power button (#1) to turn on the blade server. The power LED (#3) will turn green. To turn off, press and hold the power button for >4 seconds and the power LED will turn orange.

## KVM Button

KVM stands for Keyboard/Video/Mouse. With KVM, a user can control multiple blades with a single keyboard/video/mouse setup. Connect your keyboard, mouse and monitor to the USB and VGA connectors on the CMM module, then push the KVM button on the control panel of the blade module you wish to access.

## LED Indicators

Blade module LEDs are described below in [Table 4-3](#).

**Table 4-3. Blade Module LED Indicators**

LED	State	Description
Power LED	Green	Power On
	Amber	Standby
	Red	Power Failure <sup>a</sup>
KVM/UID LED (Blue)	Steady On	Indicates that KVM has been initialized on this blade module
	Flashing	Serves as a UID indicator (the UID function is activated with a management program)
Network LED (Green)	Flashing Green	Flashes on and off to indicate traffic (Tx and Rx data) on the LAN connection to this blade module.
Network LED (Orange)	Flashing Orange	Flashes on and off to indicate traffic over the InfiniBand module (when present in the system).
System Fault LED (Red)	Steady On	This LED illuminates red when a fatal error occurs. This may be the result of a memory error, a VGA error or any other fatal error that prevents the operating system from booting up.

- a. In the event of a power failure, the N+1 Redundant Power Supply (if included in your system's configuration) picks up the system load to provide uninterrupted operation. The failed power supply should be replaced with a new one as soon as possible.

## KVM Connector

Alternatively, you may connect a KVM cable (CBL-0218L, with a keyboard/video/mouse attached) to the KVM connector (#7) of the blade you wish to access. To switch to another blade, disconnect the cable then reconnect it to the new blade. See the *Web-based Management Utility User's Manual* on your Superblade system CD-ROM for further details on using the KVM function remotely.

## 4-2 B10DRG-TP/IBF/IBF2 Serverboard

The serverboard of the SBI-7128RG-X/F/F2 blade unit is a proprietary design, which is based on the Intel C610 chipset. See [Figure 4-4](#) for a block diagram of this chipset, [Figure 4-3](#) for a view of the B10DRG-TP/IBF/IBF2 serverboard and [Figure 4-5](#) for an exploded view diagram of the blade unit.

Figure 4-3. B10DRG-TP/IBF/IBF2 Serverboard

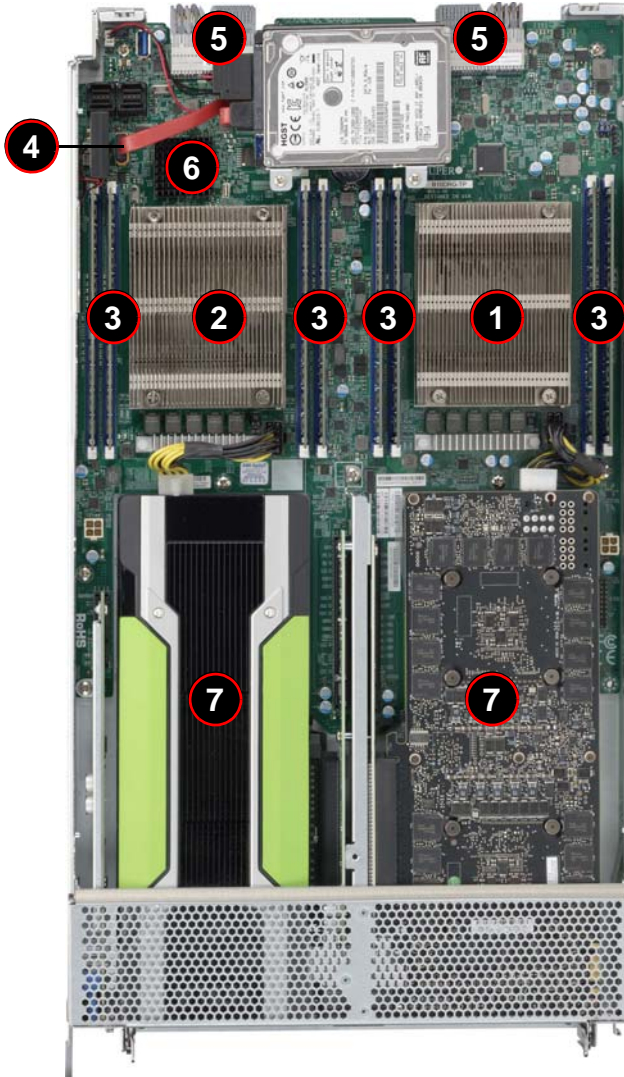
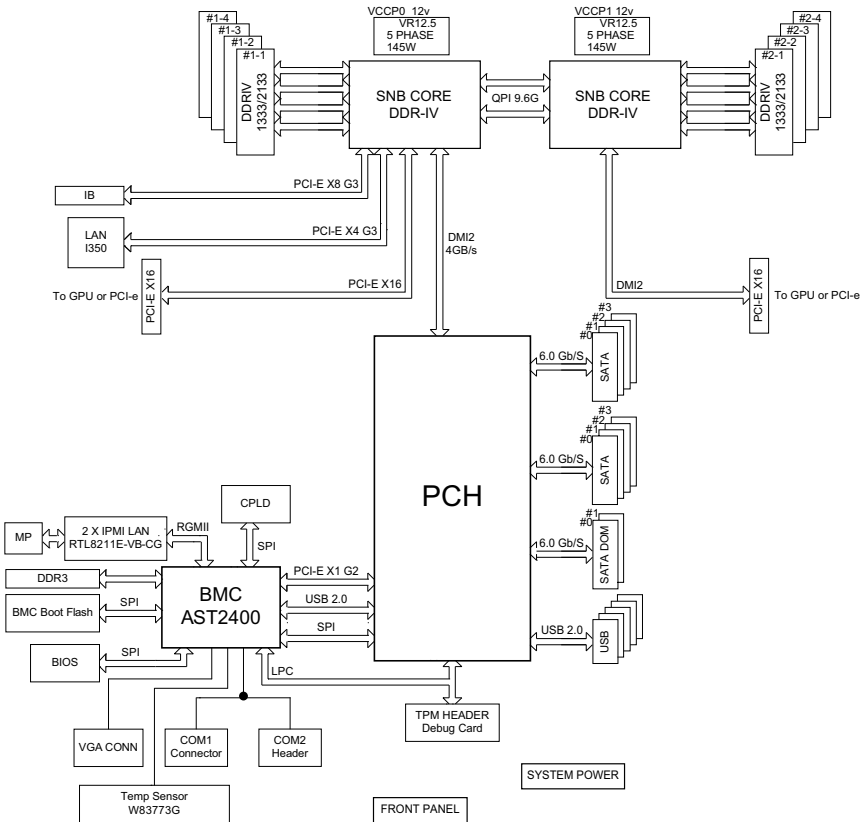


Table 4-4. B10DRG-TP/IBF/IBF2 serverboard Layout

Item	Description
1	LGA 2011 CPU2 Socket
2	LGA 2011 CPU1 Socket
3	DIMM Slots (see <a href="#">Figure 3-13: "8-Slot DIMM Numbering" on page 3-11</a> for details)
4	SATA Ports
5	Gbx Connectors (for power and logic to backplane)
6	Intel C610
7	PCI-E 3.0 x16 Expansion Slot (with GPU card)

Figure 4-4. Intel C610 Chipset Block Diagram



## Jumpers

The jumpers present on the serverboard are used by the manufacturer only; there are no jumpers used to configure the operation of the serverboard.

## CMOS Clear

JBT1 is used to clear CMOS and will also clear any passwords. JBT1 consists of two contact pads located near the BIOS chip.

### *Clearing CMOS*

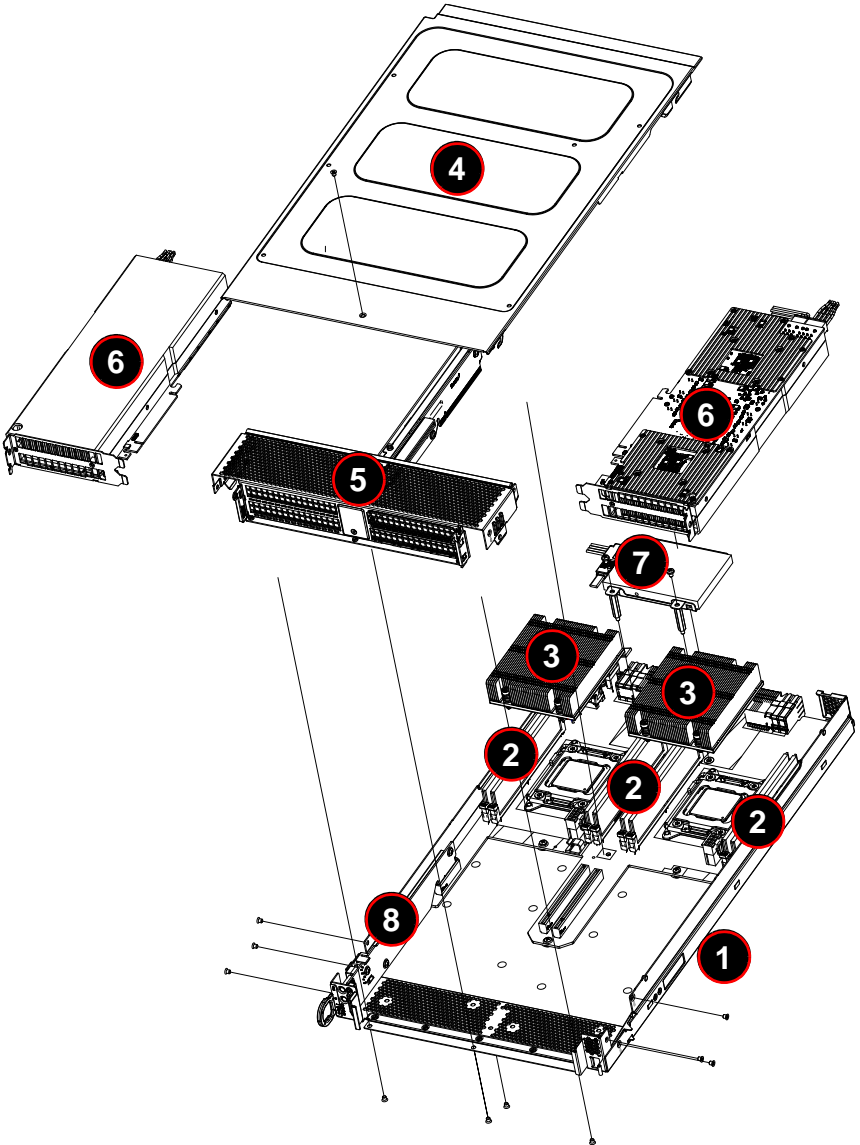
1. First power down the blade and remove it from the enclosure.
2. Remove the blade cover to access the serverboard (see ["Removing/Replacing the Blade Cover" on page 3-2](#) for further details). Short the CMOS pads with a metal object such as a small screwdriver.
3. Replace the cover, install the blade back into the enclosure and power it on.

## USB Port Connector

The SBI-7128RG-X/F/F2 blade module includes two internal SATA3 ports that you may use for connecting SATA3 devices to the blade module when the top blade cover is removed.

### 4-3 Blade Unit Components

Figure 4-5. Exploded View of SBI-7128RG-X/F/2 SuperBlade Server Module



Main components of the SBI-7128RG-X/F/F2 SuperBlade server module are shown in [Figure 4-5](#) and described in [Table 4-5](#).

**Table 4-5. Main Components of SBI-7128RG-X/F/F2 SuperBlade Server Module**

Item	Description
1	Blade Unit/Module
2	DIMMs (system memory) slots for up to eight (8) DIMMs
3	CPU Heatsinks (2)
4	Top Cover
5	PCI-E 3.0 x16 GPU Expansion Card Bracket and Blade Module Front Assembly
6	GPU Module
7	SSD Bracket
8	KVM Module

## Memory Support

The SBI-7128RG-X/F/F2 SuperBlade server module supports up to 1 TB of DDR4 2400/2133 MHz speed SDRAM in eight (8) DIMM sockets. See [Section 3-5: Memory Installation on page 3-10](#) for further details on serverboard memory installation.

## Hard Disk Drives

The SBI-7128RG-X/F/F2 blade module contains no hard disk drives or drive carriers. The SBI-7128RG-X/F/F2 blade module however does include two SATA ports for either a two SATA-DOM or one SSD drive. Optionally, you may use the PCI-E slots to support up to eight SATA3 HDD's plus one SSD drive when no GPU's are installed in the system.

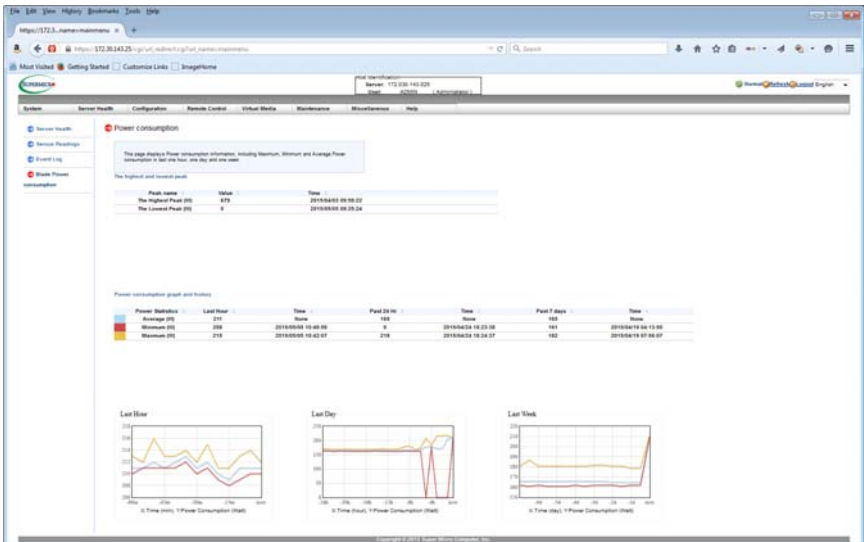
**WARNING:** Enterprise level hard disk drives are recommended for use in Supermicro chassis and servers. For information on recommended HDDs, visit the Supermicro Web site at <http://www.supermicro.com/products/nfo/storage.cfm>.

## Blade Power Consumption Page

Using the Web-based Management Utility from the CMM module you may use the System Health - Blade Power Consumption page to view graphs and other information about the power consumption of each SBI-7128RG-X/F/F2 blade in your system (Figure).

For more details on the Web-based Management Utility see <http://www.supermicro.com/products/superblade/management/> on the Supermicro Website.

**Figure 4-6. System Health - Blade Power Consumption Page**



## Notes

---

---

# Chapter 5

## BIOS

### 5-1 Introduction

This chapter describes the BIOS for Intel SuperBlade modules. The Intel Blade modules use a 128 Mb SPI Flash EEPROM with AMI® BIOS that is stored in a flash chip. This BIOS can be easily upgraded using a floppy disk-based program.

**NOTE:** Due to periodic changes to the BIOS, some settings may have been added or deleted and might not yet be recorded in this manual. Please refer to the <http://www.supermicro.com/products/SuperBlade/module/> web site for further details on BIOS setup and the BIOS menus for your SuperBlade blade module.

#### System BIOS

BIOS stands for Basic Input Output System. The 128 Mb SPI Flash EEPROM with AMI® BIOS flash chip stores the system parameters, types of disk drives, video displays, etc. in the CMOS. The CMOS memory requires very little electrical power. When the blade unit is turned off, a backup battery provides power to the BIOS flash chip, enabling it to retain system parameters. Each time the blade is powered on it is configured with the values stored in the BIOS ROM by the system BIOS, which gains control at boot up.

#### How To Change the Configuration Data

The CMOS information that determines the system parameters may be changed by entering the BIOS Setup utility. This Setup utility can be accessed by pressing the <DELETE> key at the appropriate time during system boot. (See "[Starting the Setup Utility](#)" below.)

#### Starting the Setup Utility

Normally, the only visible POST (Power-On Self-Test) routine is the memory test. As the memory is being tested, press the <DELETE> key to enter the main menu of the BIOS Setup utility. From the main menu, you can access the other setup screens, such as the Security and Power menus.

**WARNING:** To prevent possible boot failure, do not shut down or reset the system while updating the BIOS.

## 5-2 BIOS Updates

It may be necessary to update the BIOS used in the blade modules on occasion. However, it is recommended that you not update BIOS if you are not experiencing problems with a blade module.

Updated BIOS files are located on our web site([www.supermicro.com/products/superblade/](http://www.supermicro.com/products/superblade/)). Please check the current BIOS revision and make sure it is newer than your current BIOS before downloading.

There are several methods you may use to upgrade (flash) your BIOS. After downloading the appropriate BIOS file (in a zip file format), follow one of the methods described below to flash the new BIOS.

### Flashing BIOS

Use the procedures below to “Flash” your BIOS with a new update using the KVM dongle, USB ports on the CMM module or by use of a Floppy disk.

#### ***Flashing a BIOS using the KVM Dongle:***

For this method, you must use a KVM “dongle” cable (CBL-0218L, included with the system).

1. Copy the contents of the zip file to a bootable USB pen drive.
2. Connect the KVM dongle (CBL-0218L) to the KVM connector at the front of the blade you will be flashing the BIOS to.
3. Connect your bootable USB pen drive to one of the two USB slots on the KVM dongle.
4. Boot to the USB pen drive and go to the directory where you saved the contents of the zip file.
5. Type **flash filename.rom** (replace *filename.rom* by the actual ROM file name).

#### ***Flashing a BIOS using the USB Ports on the CMM:***

1. Copy the contents of the zip file to a bootable USB pen drive.
2. Connect your bootable USB pen drive to one of the two USB slots on the CMM (located on the back side of the enclosure).
3. Boot to the USB pen drive and go to the directory where you saved the contents of the zip file.
4. Type **flash filename.rom** (replace *filename.rom* by the actual ROM file name).

#### ***Flashing a BIOS using a Floppy Image File***

This method must be performed remotely.

1. Copy the image file from the zip file to your desktop.
2. Use the web browser or IPMIView to access your CMM remotely using its IP Address.

3. Go to the VIRTUAL MEDIA menu and select FLOPPY IMAGE UPLOAD.
4. BROWSE or OPEN to locate the \*.img file on your desktop and select it.
5. Press the UPLOAD button and wait a few seconds for the image to upload to the CMM.
6. Once the upload finishes, turn on the blade module and press <DEL> to enter the BIOS setup utility.
7. In the BOOT MENU, bring **USB LS120: PEPPCMM VIRTUAL DISC 1** to the top of the boot priority list.
8. Exit while saving the changes. The blade module will boot to the virtual media (floppy image) **A:\>**.
9. Type **flash filename.rom**.

**NOTE:** Replace *filename.rom* by the actual ROM file name (such as **B8DTE142.rom** for example) in the command.

## 5-3 Running Setup

**NOTE:** Default settings are in **bold** text unless otherwise noted.

The BIOS setup options described in this section are selected by choosing the appropriate text from the MAIN BIOS SETUP screen. All displayed text is described in this section, although the screen display is often all you need to understand how to set the options.

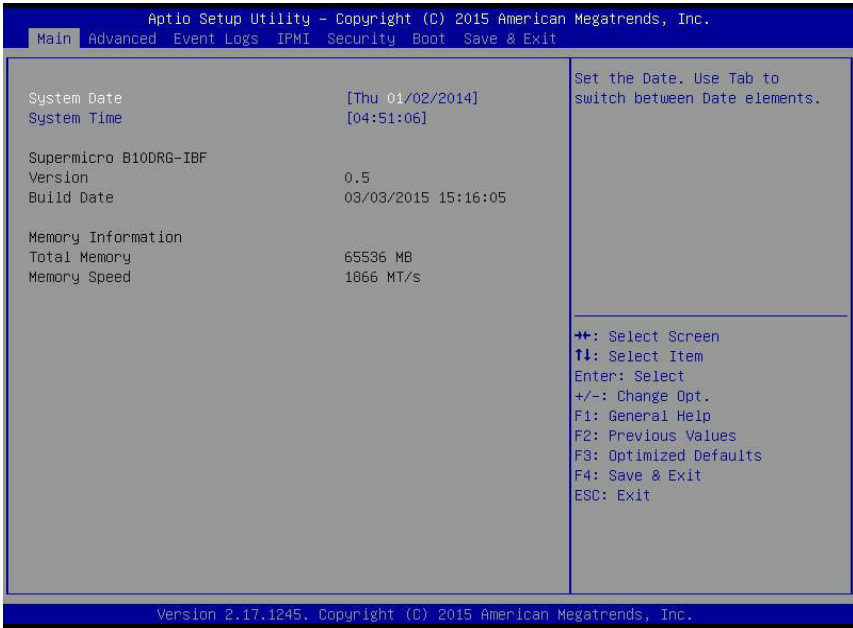
When you first power on the computer, the BIOS is immediately activated.

While the BIOS is in control, the Setup program can be activated in one of two ways:

1. By pressing <DELETE> immediately after turning the system on, or
2. When the message **Press the <Delete> key to enter Setup** appears briefly at the bottom of the screen during the POST, press the <DELETE> key to activate the main SETUP menu:

## 5-4 Main BIOS Setup

Figure 5-1. BIOS Setup Screen



All Main Setup options are described in this section.

Use the UP/DOWN arrow keys to move among the different settings in each menu. Use the LEFT/RIGHT arrow keys to change the options for each setting.

Press the <ESC> key to exit the CMOS SETUP menu. The next section describes in detail how to navigate through the menus.

Items that use sub-menus are indicated with the ► icon. With the item highlighted, press the <ENTER> key to access the submenu.

Menu options found in the MAIN BIOS SETUP menu are described in [Table 5-1](#).

Table 5-1. Main BIOS Setup Menu Options

Menu Option	Description
System Date	Using the arrow keys, highlight the month, day and year fields, and enter the correct data for the system date. Press the <Enter> key to save the data.
System Time	To set the system date and time, key in the correct information in the appropriate fields. Then press the <Enter> key to save the data.
BIOS Information	BIOS static display information including the motherboard number, SMC version, SMC Build Date and Total Memory is also shown on the screen.

## 5-5 Advanced Setup

Choose **Advanced** from the BIOS Setup Utility main menu with the arrow keys to display the **ADVANCED SETUP** menu. The items with a triangle beside them are sub-menus that can be accessed by highlighting the item and pressing <ENTER>. Options for PIR settings are displayed by highlighting the setting option using the arrow keys and pressing <ENTER>.

Table 5-2 describes all sub-menus found in the **ADVANCED SETUP** menu.

**Table 5-2. Advanced Setup Menu Options**

Sub-menu	Description
▶ Boot Feature	See Table 5-3 for a description of BIOS setup menu options in this sub-menu.
▶ CPU Configuration	See Table 5-4 for a description of BIOS setup menu options in this sub-menu.
▶ Chipset Configuration	See Table 5-5 for a description of BIOS setup menu options in this sub-menu.
▶ SATA Configuration	See Table 5-6 for a description of BIOS setup menu options in this sub-menu.
▶ sSATA Configuration	See Table 5-7 for a description of BIOS setup menu options in this sub-menu.
▶ Server ME Information	See Table 5-8 for a description of BIOS setup menu options in this sub-menu.
▶ PCIe/PCI/PnP Configuration	See Table 5-9 for a description of BIOS setup menu options in this sub-menu.
▶ Super IO Configuration	See Table 5-10 for a description of BIOS setup menu options in this sub-menu.
▶ Serial Port Console Redirection	See Table 5-11 for a description of BIOS setup menu options in this sub-menu.
▶ ACPI Settings	See Table 5-12 for a description of BIOS setup menu options in this sub-menu.
▶ iSCSI Configuration	See Table 5-13 for a description of BIOS setup menu options in this sub-menu.

**Table 5-3. Boot Feature Submenu**

Menu Option	Description
Quiet Boot	When Disabled the BIOS displays normal POST messages. When <b>Enabled</b> the BIOS displays an OEM Logo instead of POST messages.
AddOn ROM Display Mode	This setting sets the display mode for Option ROM. Options include <b>Force BIOS</b> or Keep Current.
Bootup NUM-Lock	This setting selects the Power-On state for Numlock. Options include <b>On</b> or Off.
Wait for 'F1' If Error	When enabled, the system will wait for the F1 key to be pressed if an error occurs. Options are <b>Enabled</b> or Disabled.
Interrupt 19 Capture	When enabled this setting allows option ROMs to trap Interrupt 19. Options include <b>Immediate</b> or Postponed.

**Table 5-3. Boot Feature Submenu (Continued)**

Menu Option	Description
Re-try Boot	This setting, when enabled, allows your system to re-try booting up again if it fails. Options include Enabled and <b>Disabled</b> .
Watch Dog Timer	This setting allows the system to restart when it is not active more than 5 minutes. Option include Enabled and <b>Disabled</b> .
Power Button Function	This setting specifies the power button's function when pressed. Option include 4 Seconds Override or <b>Instant Off</b> .
Restore on AC Power Loss	This setting specifies what the system will do when power is restored after an AC power loss to the system. Options include <b>Stay Off</b> (system power remains off after power loss), Power-On (system power turns on after power loss) or Last State (allows the system to resume its last state before the power loss).

**Table 5-4. CPU Configuration Submenu**

Menu Option	Description
▶Socket 1 CPU Information	These submenus, when selected, shows information on the Socket 1/ Socket 2 processors and other information including Processor ID, Processor Frequency, Processor Min and Max Ratio, L1/L2/L3 Cache RAM and Processor 0/1 version. The information shown is read only and cannot be changed.
▶Socket 2 CPU Information	
Clock Spread Spectrum	This setting enables or disables spread spectrum modulation. Options are Enabled and <b>Disabled</b> .
Hyper-threading (ALL)	This setting is <b>Enabled</b> for Windows XP and Linux (OS optimized for Hyper-threading technology), and Disabled for other OSES (any OS not optimized for Hyper-threading technology). When Disabled, only one thread per enabled core is enabled.
Cores Enabled	This setting selects the number of cores to enable in each processor package. Options include <b>0</b> , 1, 2, 3 and 4.
Execute Disable Bit	XD can prevent certain classes of malicious buffer overflow attacks when combined with a supporting OS such as Windows Server 2003 SP1, Windows XP SP2, SuSE Linux 9.2 or RedHat Enterprise 3 Update 3. Options include <b>Enabled</b> or Disabled.
PPIN Control	Use this setting to unlock and enable/disable PPIN control for your system. Options include <b>Unlock/Enable</b> and Unlock/Disable.
Hardware Prefetcher	If set to <b>Enabled</b> , the hardware prefetcher will prefetch streams of data and instructions from the main memory to the L2 cache in the forward or backward manner to improve CPU performance. Options are <b>Enabled</b> and Disabled. For UP platforms leave it enabled. for DP/MP servers, this setting may be used to tune performance to the specific application.
Adjacent Cache Prefetch	The CPU fetches the cache line for 64-bytes if this option is set to Disabled. The CPU fetches both cache lines for 128-bytes as comprised if <b>Enabled</b> . For UP platforms leave it enabled. for DP/MP servers, this setting may be used to tune performance to the specific application.

Table 5-4. CPU Configuration Submenu (Continued)

Menu Option	Description
DCU Streamer Prefetcher	For UP platforms, leave this option <b>Enabled</b> . For DP/MP servers, this option may be used to tune performance to the specific application. Options are <b>Enabled</b> or Disabled.
DCU IP Prefetcher	This setting <b>Enables</b> or Disables prefetch of the next L1 line based upon sequential load history.
Direct Cache Access (DCA)	Use this setting to enable Direct Cache Access. Options include Disable, Enable or <b>Auto</b> .
X2APIC	Use this setting to Enable or <b>Disable</b> extended APIC support.
AES-NI	Use this setting to <b>Enable</b> or Disable AES-NI support.
Intel® Virtualization Technology	Select <b>Enabled</b> to use this Virtualization Technology feature to allow one platform to run multiple operating systems and applications in independent partitions, creating multiple “virtual” systems in one physical computer system. The options are <b>Enabled</b> and Disabled. Please refer to the <a href="#">Intel website</a> for further detailed information. <b>NOTE:</b> A full reset of the system is required when you change this setting.
▶ Advanced Power Management Configuration	Power management options and information is displayed on this submenu. In addition to the options in this submenu, information is displayed for Factory Long Duration Power Limit, Factory Long Duration Maintained and Recommended Short Duration Power.
Power Technology	This option enables power management features. Options include Disable, <b>Energy Efficient</b> and Custom. Selecting “Custom” allows you to either Enable or Disable the following sub-menus and their settings: <ul style="list-style-type: none"> <li>• CPU P State Control</li> <li>• CPU C State Control</li> <li>• CPU T State Control</li> </ul>
▶ CPU P State Control	This sub-menu allows you to configure CPU P State Control settings.
EIST (P-States)	When this setting is <b>Enabled</b> , the OS sets CPU frequency according to the load. When Disabled, the CPU frequency is set at maximum non-turbo.
Turbo Mode	Turbo mode allows a CPU logical processor to execute a higher frequency when enough power is available to not exceed CPU defined limits. Options include <b>Enabled</b> and Disabled.
P-state Coordination	Use this setting to configure P-state coordination. Options include <b>HW_ALL</b> , SW_ALL and SW_ANY. HW_ALL (hardware) coordination is recommended over SW_ALL and SW_ANY (software coordination).
▶ CPU C State Control	This sub-menu allows you to configure CPU C State Control settings.
Package C State Limit	Use this setting to specify the Package C State Limit. Options include C0/ C1 State, C2 State, C6 (non-retention) State, <b>C6 (Retention) State</b> , No Limit.
CPU C3 Report	This setting allows you to <b>Disable</b> or Enable the CPU C3 (ACPI C2) report to the OS. It is recommended that this setting be disabled.
CPU C6 Report	This setting allows you to Disable or <b>Enable</b> the CPU C3 (ACPI C2) report to the OS. It is recommended that this setting be enabled.

Table 5-4. CPU Configuration Submenu (Continued)

Menu Option	Description
Enhanced Halt State (C1E)	Use this setting to enable the Enhanced C1E State of the CPU. This only takes effect after a reboot of the system. Options include <b>Enabled</b> or <b>Disabled</b> .
▶CPU T State Control	This sub-menu allows you to configure CPU T State Control settings.
ACPI T-States	Use this setting to <b>Enable</b> or <b>Disable</b> CPU throttling by the OS in order to reduce power consumption.
▶Socket RAPL Config	This sub-menu allows you to configure Socket RAPL Configuration settings.
FAST_RAPL_NSTR IKE_PL2_DUTY_CY CLE	This setting provides you a FAST_RAPL_NSTRIKE_PL2_DUTY_CYCLE value between 25 (10%) - 64 (25%). Use the "+" or "-" key on your keyboard's number pad to select a value.
Turbo Pwr Limit Lock	Use this setting to <b>Enable</b> or <b>Disable</b> the locking of the turbo settings. When enabled, the TURBO_POWER_LIMIT MSR will be locked and a reset will be required to unlock the register.
Long Pwr Limit Ovrdr	Use this setting to <b>Enable</b> or <b>Disable</b> Long Term Power Limit override. If this option is disabled, the BIOS will program the default values for Long Duration Power Limit and Long Duration Time Window settings.
Long Dur Pwr Limit	This setting is for the Turbo Mode Long Duration Power Limit (Power Limit 1) in Watts. The value may vary from 0 to Fused value. If the value is 0, then the fused value will be programmed. A value greater than fused TDP value will not be programmed. Use the "+" or "-" key on your keyboard's number pad to select a value.
Long Dur Time Window	This setting is for the Long Duration Time Window (Power Limit 1) value in seconds. The value may vary from 0 to 56, with the default being 1. This setting indicates the time window over which the TDP value should be maintained. If the value is 0, the Fused value will be programmed. Use the "+" or "-" key on your keyboard's number pad to select a value.
Pkg Clmp Lim1	This setting is for the Packaging Clamping Limit1. You may specify the value to be between P1 and P0 or <b>Below P1</b> for this setting.
Short Dur Pwr Limit En	Use this setting to <b>Enable</b> or <b>Disable</b> the Short Duration Power Limit (Power Limit 2).
Short Dur Pwr Limit	Use this setting to specify the Short Duration Power Limit (Power Limit 2) value in Watts. The value may vary from 0 to 32767. Use the "+" or "-" key on your keyboard's number pad to select a value.  If the value is 0, the BIOS will program this value as 125%*TDP. The processor applies the control policies such that the package power does not exceed this limit.
Pkg Clmp Lim2	This setting is for the Packaging Clamping Limit2. You may specify the value to be between P1 and P0 or <b>Below P1</b> for this setting.
▶DRAM RAPL Configuration	This sub-menu allows you to configure DRAM RAPL Configuration settings.
DRAM RAPL Baseline	This setting allows you to enable the DRAM RAPL Baseline and its mode. Options include <b>Disable</b> , <b>DRAM RAPL Mode 0</b> and <b>DRAM RAPL Mode 1</b> .

Table 5-4. CPU Configuration Submenu (Continued)

Menu Option	Description
Override BW_LIMIT_TF	This setting allows you to custom tune BW_LIMIT_TF when DRAM RAPL is enabled. Use the "+" or "-" key on your keyboard's number pad to select a value.
DRAM RAPL Extended Range	Use this setting to <b>Enable</b> or Disable the DRAM RAPL Extended Range for your system.

Table 5-5. Chipset Configuration Sub-menu

Menu Option	Description
▶North Bridge Configuration	This sub-menu configures North Bridge features and shows configuration information.
▶IOH Configuration	This sub-menu configures Intel VT-d and Intel I/OAT in your system and configures IOU PCIe port bifurcation controls.
EV DFX Features	Use this setting to <b>Enable</b> or Disable allowing DFX Lock Bits to remain clear.
▶IIO0 Configuration	This sub-menu allows you to set IIO0 Configuration.
IOU2 (IIO PCIe Port 1)	Selects PCIe port Bifurcation for PCIe Port 1. Options include x4x4, x8 or <b>Auto</b> .
IOU0 (IIO PCIe Port 2)	Selects PCIe port Bifurcation for PCIe Port 2. Options include x4x4x4x4, x4x4x8, x8x4x4, <b>x8x8</b> , x16 or Auto.
IOU1 (IIO PCIe Port 3)	Selects PCIe port Bifurcation for PCIe Port 3. Options include <b>x4x4x4x4</b> , x4x4x8, x8x4x4, x8x8, x16 or Auto.
No PCIe port active ECO	Use this for workaround settings when no PCIe port is active. Options include <b>PCU Squelch Exit Ignore Option</b> or Reset the SQ FLOP by CSR Option.
▶Socket 0 PcieD001F0- Port 0/DMI	Use this sub-menu for settings related to PCI Express Ports.
Link Speed	This setting specifies the link speed for the PCI-E port. Options include <b>Auto</b> , Gen 1 (2.5 GT/s) or Gen 2 (5 GT/s)
PCI-E Port DeEmphasis	This setting allows you to de-emphasize control for this PCI-E port. Options include <b>-6.0 dB</b> or -3.5 dB.
PCI-e Port Link Information	This is static information for your PCI-E link and includes PCI-E Port Link Status, PCI-E Port Link Max and PCI-E Port Link Speed.
PCI-E Port L0s Exit Latency	This setting allows you to specify the length of time this port requires to complete transition from L0s to L0. The default and only option is <b>4uS-8uS</b> .
PCI-E Port L1 Exit Latency	This setting allows you to specify the length of time this port requires to complete transition from L1 to L0. The options include <1uS, 1uS - 2uS, 2uS - 4uS, 4uS - 8uS, <b>8uS - 16uS</b> , 16uS - 32uS, 32uS - 64uS and >64uS.
Fatal Err Over	This setting enables you to force fatal error propagation to the IIO core error logic for this port. Options include Enable and <b>Disable</b> .

**Table 5-5. Chipset Configuration Sub-menu (Continued)**

Menu Option	Description
Non-Fatal Err Over	This setting enables you to force non-fatal error propagation to the IIO core error logic for this port. Options include Enable and <b>Disable</b> .
Corr Err Over	This setting enables you to force correctable error propagation to the IIO core error logic for this port. Options include Enable and <b>Disable</b> .
L0s Support	When this setting is <b>Disabled</b> , the IIO never puts its transmitter in the Los state.
►Socket 0 PcieD01F0-Port 1A/2A/2C/2D/3A	Use this submenu for settings related to PCI Express Ports.
PCI-E Port	This setting has two options: <b>Auto</b> , Enable and Disable. In Auto mode the BIOS will remove the EXP port if there is no device or errors on that device and the device is not HP capable. Disable is used to disable the port and hide its CFG space.
Hot Plug Capable	This setting specifies if the link is considered Hot Plug capable. Options include <b>Disable</b> and Enable.
PCI-E Port Link	This setting disables the link so that no training occurs but the CFG space is still active. Options include <b>Enable</b> and Disable.
Link Speed	This setting specifies the Link Speed used. Options include <b>Auto</b> , Gen 1 (2.5 GT/s), Gen 2 (5 GT/s) and Gen 3 (8 GT/s).
PCI-E Port DeEmphasis	This setting is used to de-emphasize control for this PCIe port. Options include <b>-6.0 dB</b> and -3.5 dB.
PCI-E Port L0s Exit Latency	This setting specifies the length of time this port requires to complete transition from L0s to L0. The default and only setting is <b>4uS - 8uS</b> .
PCI-E Port L1 Exit Latency	This setting specifies the length of time this port requires to complete transition from L1 to L0. The available options are <1uS, 1uS - 2uS, 2uS - 4uS, 4uS - 8uS, <b>8us- 16uS</b> , 16uS - 32uS, 32uS - 64uS and >64uS.
Fatal Err Over	This setting enables forcing of fatal error propagation to the IIO core error logic for this port. Options include <b>Disable</b> and Enable.
Non-Fatal Err Over	This setting enables forcing of non-fatal error propagation to the IIO core error logic for this port. Options include <b>Disable</b> and Enable.
Corr Err Over	This setting enables forcing of correctable error propagation to the IIO core error logic for this port. Options include <b>Disable</b> and Enable.
L0s Support	When disabled, IIO never puts its transmitter in L0s state. Options include only <b>Disable</b> .
PM ACPI Mode	When <b>Disabled</b> , MSI is generated on PM event. When Enabled, an HPGPE message is generated.
Gen3 Eq Mode	This setting lets you specify the PCIe Gen3 Adaptive Equalization Mode for your system. Options include <b>Auto</b> , Enable Phase 0/1/2/3, Disable Phase 0/1.2/3, Enable Phase 1 Only, Enabled Phase 0/1 Only, Advanced and Enabled MMM Offset West.
Gen3 Spec Mode	This setting lets you specify the PCIe Gen Spec Mode. Options include <b>Auto</b> , 0.70 July, 0.70 Sept and 0.71 Sept.

Table 5-5. Chipset Configuration Sub-menu (Continued)

Menu Option	Description
Gen3 Phase2 Mode	This setting lets you specify the Gen3 Phase2 Mode. Options include <b>Hardware Adaptive</b> and Manual.
Gen3 DN Tx Preset	This setting lets you specify the Gen3 DN Tx Preset setting. Options include <b>Auto</b> and P0 ~ P9 options.
Gen3 DN Rx Preset Hint	This setting allows you to specify the PCIe Gen3 Downstream Rx Preset Hint setting. Options include <b>Auto</b> and P0 ~ P6 options.
Gen3 UP Tx Preset	This setting lets you specify the Gen3 UP Tx Preset setting. Options include <b>Auto</b> and P0 ~ P9 options.
Non-Transparent Bridge PCIe Port D	This setting configures the port as <b>Transparent Bridge</b> , NTB to NTB or NTB to RP for legacy IIO on A0 Sil.
Hide Port?	Use this setting to force the system to hide this root port from the OS. Options include <b>No</b> and Yes.
►IIO1 Configuration	This sub-menu configures Integrated I/O 1 Configuration.
IIO2 (IIO PCIe Port 1)	This setting selects the PCIe port bifurcation for PCIe Slot 1. Options include x4x4, x8 or <b>Auto</b> .
IIO0 (IIO PCIe Port 2)	This setting selects the PCIe port bifurcation for PCIe Slot 2. Options include x4x4x4x4, x4x4x8, x8x4x4, x8x8, x16 or <b>Auto</b> .
IIO1 (IIO PCIe Port 3)	This setting selects the PCIe port bifurcation for PCIe Slot 3. Options include x4x4x4x4, x4x4x8, x8x4x4, x8x8, <b>x16</b> or Auto.
No PCIe Port Active ECO	This setting is a workaround setting when no PCIe port is active. Options include <b>PCU Squelch Exit Ignore Option</b> and Reset the SQ FLOP by CSR Option.
►IOAT Configuration	This sub-menu configures all IOAT configuration options.
Enable IOAT	This setting allows you <b>Enable</b> or Disable IOAT devices.
No Snoop	Use this setting to Enable or <b>Disable</b> No Snoop for each CB device.
Relaxed Ordering	Use this setting to Enable or <b>Disable</b> Relaxed Ordering.
►Intel VT for Directed I/O (VT-d)	This sub-menu configures all VT-d configuration options.
Intel VT for Directed I/O (VT-d)	This setting allows you <b>Enable</b> or Disable Intel Virtualization Technology for Directed I/O (VT-d) by reporting the I/O device assignment to VMM through DMAR ACPI tables.
Interrupt Remapping	Use this setting to <b>Enable</b> or Disable VT-d Interrupt Remapping Support.
►QPI Configuration	This sub-menu statically displays Current QPI Link Speed and Current QPI Link Freq as well as providing options for Isoc, QPI Link Speed Mode and QPI Link Frequency Select.

**Table 5-5. Chipset Configuration Sub-menu (Continued)**

Menu Option	Description
▶QPI General Configuration	This submenu contains settings for the QPI General Configuration.
▶QPI Status	This submenu contains static information for the QPI status of your system.
Link Frequency Select	This setting allows you to select the QPI Link Frequency. Options include 6.4GB/s, 8.0GB/s, 9.6GB/s, <b>Auto</b> and Auto Limited.
Link L0p Enable	This setting allows you to either <b>Enable</b> or Disable Link L0p.
Link L1 Enable	This setting allows you to either <b>Enable</b> or Disable Link L1.
COD Enable	This setting allows you to either Enable or <b>Disable</b> COD.
Early Snoop	This setting allows you enable or disable Early Snoop. Options include Disable, Enable and <b>Auto</b> .
Isoc Mode	This setting allows you to either Enable or <b>Disable</b> Isoc Mode.
▶Memory Configuration	This submenu displays static Memory Configuration information (Current Memory Mode, Current Memory Speed, Mirroring and Sparring), DIMM Information and other option settings.
Enforce POR	This setting is used to enable enforcement of PDR restrictions for DDR4 frequency and voltage programming. Options include <b>Enabled</b> and Disabled.
Memory Frequency	This sets the maximum frequency selections in Mhz. Options include <b>Auto</b> and Mhz speeds from 1333 through 3200. <b>Note:</b> Do not select <i>Reserved</i> from the options list.
Data Scrambling	This setting enables data scrambling. Options include <b>Auto</b> , Disabled and Enabled.
DRAM RAPL Baseline	This setting allows you to select DRAM RAPL Baseline enabled and baseline mode for your system. Options include Disabled, DRAM RAPL Mode0 and <b>DRAM RAPL MODE1</b> .
Set Throttling Mode	Use this setting to configure Thermal Throttling Mode. Options include Disabled and <b>CLTT</b> .
Socket Interleave Below 4GB	This setting splits the 0-4GB address space between two sockets so that both sockets get a chunk of local memory below 4GB. Options include <b>Disable</b> and Enable.
A7 Mode	This setting <b>Enables</b> or Disables A7 Mode.
▶DIMM Information	DIMM presence and size information is shown in this submenu when selected.
▶Memory RAS Configuration	This submenu is used to configure Memory RAS.
RAS Mode	Use this setting to enable/disable RAS modes. Enabling Sparring and Mirroring is not supported. If enabled, sparing will be selected. Options include <b>Disable</b> , Mirror and Lockstep Mode.
Memory Rank Sparring	Use this setting to Enable or <b>Disable</b> Memory Rank Sparring.

Table 5-5. Chipset Configuration Sub-menu (Continued)

Menu Option	Description
Patrol Scrub	This setting allows you to either <b>Enable</b> or Disable Patrol Scrub for your system.
Patrol Scrub Interval	This setting selects the number of hours (1-24) required to complete full scrub. A value of zero means auto. To set the value use the "+" or "-" buttons of the number pad on your keyboard. Default is <b>24</b> .
Demand Scrub	This setting allows you to <b>Enable</b> or Disable the Demand Scrubbing in your system.
Device Tagging	This setting allows you to Enable or <b>Disable</b> the Device Tagging in your system.
► South Bridge Configuration	This sub-menu static displays PCH Information (chipset Name, Stepping and USB Devices), and allows you to configure other South Bridge features.
Legacy USB Support	This setting allows you to enable the use of Legacy USB devices. If this option is set to Auto, legacy USB support will be automatically enabled if a legacy USB device is installed on the mainboard, and disabled if no USB devices are connected. The options include Disabled, <b>Enabled</b> and Auto.
XHCI Hand-off	This setting is a workaround for OSES without XHCI hand-off support. The XHCI ownership change should be claimed by the XHCI driver. Options include <b>Enabled</b> or Disabled.
EHCI Hand-off	This setting is a workaround for OSES without EHCI hand-off support. The EHCI ownership change should be claimed by the EHCI driver. Options include Enabled or <b>Disabled</b> .
Port 60/64 Emulation	This setting <b>Enables</b> or Disables I/O port 60h/64h emulation support. This should be enabled for the complete USB keyboard legacy support for non-USB aware OSES.
USB 3.0 Support	Use this setting to enable or disable USB 3.0 support for your system. Options include Smart Auto, Auto, Enabled and <b>Disabled</b> .
EHCI1	This setting controls the USB EHCI1 (USB 2.0) functions. One EHCI controller must always be enabled. Options include <b>Enable</b> or Disable.
EHCI2	This setting controls the USB EHCI2 (USB 2.0) functions. One EHCI controller must always be enabled. Options include <b>Enable</b> or Disable.

**Table 5-6. SATA Configuration Sub-menu**

Menu Option	Description
SATA Controller	This setting allows you to <b>Enable</b> or Disable the SATA device.
Configure SATA as	Use this setting to select the SATA mode you desire. Options include IDE, <b>AHCI</b> and RAID.
Support Aggressive Link Power Mana	Use this setting to <b>Enable</b> or Disable SALP.
SATA Port 0-5 Settings	For each of the ports you many configure the settings listed below.
Spin Up Device	This setting allows you to Enable or <b>Disable</b> the Spin up Device for the system. If enabled for any ports staggered spin up will be performed and only the drives that have this option enabled will spin up at boot. Otherwise all drives spin up at boot if this setting is disabled.
SATA Device Type	This setting allows you to identify that the SATA port is connected to either a Solid State Drive or a <b>Hard Disk Drive</b> .

**Table 5-7. sSATA Configuration Sub-menu**

Menu Option	Description
sSATA Controller	This setting allows you to <b>Enable</b> or Disable the SATA controller.
Configure sSATA as	Use this setting to select the SATA mode you desire. Options include IDE, <b>AHCI</b> and RAID.
Support Aggressive Link Power Mana	Use this setting to <b>Enable</b> or Disable SALP.
sSATA Port 0-3 Settings	For each of the ports you many configure the settings listed below.
Spin Up Device	This setting allows you to Enable or <b>Disable</b> the Spin up Device for the system. If enabled for any ports staggered spin up will be performed and only the drives that have this option enabled will spin up at boot. Otherwise all drives spin up at boot if this setting is disabled.
SATA Device Type	This setting allows you to identify that the SATA port is connected to either a Solid State Drive or a <b>Hard Disk Drive</b> .

**Table 5-8. Server ME Information Sub-menu**

Menu Option	Description
General ME Configuration Information	General ME configuration information is displayed at the top of this screen.
Altitude	The altitude of the platform location above sea level, expressed in meters, is set using the keyboard's number pad "+" or "-" keys. Use the default <b>80000000</b> value if the altitude is unknown.
MCTP Bus Owner	This setting is for specifying the MCTP bus owner location on PCIe. Values can be [15:8] bus, [7:3] device or [2:0] function. If <b>0</b> , then the sending bus owner is disabled.

Table 5-9. PCIe/PCI/PnP Configuration Sub-menu

Menu Option	Description
PCI Latency Timer	Use this feature to set the latency Timer of each PCI device installed on a PCI bus. Select 32 to set the PCI latency to 32 PCI clock cycles. The options are <b>32 PCI Bus Clocks</b> , 64 PCI Bus Clocks, 96 PCI Bus Clocks, 128 PCI Bus Clocks, 160 PCI Bus Clocks, 192 PCI Bus Clocks, 224 PCI Bus Clocks and 248 PCI Bus Clocks.
PERR# Generation	Select Enabled to allow a PCI device to generate a PERR number for a PCI Bus Signal Error Event. The options are <b>Disabled</b> and Enabled.
SERR# Generation	Select Enabled to allow a PCI device to generate an SERR number for a PCI Bus Signal Error Event. The options are Enabled and <b>Disabled</b> .
PCI PERR/SERR Support	This setting Enables or <b>Disables</b> the runtime event for SERR/PERR errors.
Above 4G Decoding (Available if the system supports 64-bit PCI decoding)	Select Enabled to decode a 64-bit PCI device in the space above 4G Address. The options are <b>Enabled</b> and Disabled.
SR-IOV Support	If the system has SR-IOV capable PCIe device, this option Enables or <b>Disables</b> single root I/O virtualization support.
Maximum Payload	Select Auto to allow the system BIOS to automatically set the maximum payload value for a PCI-E device to enhance system performance. The options are <b>Auto</b> , 128 Bytes, 256 Bytes, 512 Bytes, 1024 Bytes, 2048 Bytes, and 4096 Bytes.
Maximum Read Request	Select Auto to allow the system BIOS to automatically set the maximum Read Request size for a PCI-E device to enhance system performance. The options are <b>Auto</b> , 128 Bytes, 256 Bytes, 512 Bytes, 1024 Bytes, 2048 Bytes, and 4096 Bytes.
ASPM Support	This feature allows the user to set the Active State Power Management (ASPM) level for a PCI-E device. Select Force L0 to force all PCI-E links to operate at L0 state. Select Auto to allow the system BIOS to automatically set the ASPM level for the system. Select Disabled to disable ASPM support. The options are <b>Disabled</b> , Force L0, and Auto. Enabling ASPM support may cause some PCI-E devices to fail!
MMIOHBase	This setting must specify a number between 4032 - 4078. Options include <b>56T</b> , 48T, 24T, 2T, 512G and 256G.
MMIO High Size	This setting allocates MMIOH size per CPU. Options include <b>256G</b> , 128G, 512G and 1024G.
CPU1 Slot 1PCI-E x8 OPROM	This setting enables or disables the PCIe Slot OPROM option.Options include Disabled, <b>Legacy</b> or EFI.
CPU1 Slot 2 PCI-E x16 OPROM	This setting enables or disables the PCIe Slot OPROM option.Options include Disabled, <b>Legacy</b> or EFI.
Onboard Video OPROM	Use this setting to control the execution of UEFI and Legacy Video OPROM on your system. Options include Disabled, <b>Legacy</b> or EFI.
VGA Priority	This setting decides the priority between <b>Onboard</b> and the first Offboard video device found.

**Table 5-9. PCIe/PCI/PnP Configuration Sub-menu (Continued)**

Menu Option	Description
Onboard LAN Option ROM Type	Select the onboard LAN option ROM type from this setting. Options include <b>Legacy</b> and <b>EFI</b> .
Onboard LAN 1 OPROM	This setting enables or disables Onboard LAN 1 Option ROM. Options include <b>PXE</b> , <b>iSCSI</b> or <b>Disabled</b> .
Onboard LAN 2 OPROM	This setting enables or disables Onboard LAN 2 Option ROM. Options include <b>PXE</b> or <b>Disabled</b> .
Network Stack	This setting Enables or <b>Disables</b> the UEFI Network Stack.

**Table 5-10. SuperIO Configuration Sub-menu**

Menu Option	Description
Super IO Chip	This static display shows the name of the Super IO chip installed for your system.
► Serial Port 1/2 Configuration	This submenu allows you to configure Serial Port 1.
Serial Port	Select Enabled to enable the a selected onboard serial port. The options are <b>Enabled</b> and <b>Disabled</b> .
Device Settings	This item displays the status of a serial part specified by the user.
Change Settings (Available for Serial Port 2 only)	This feature specifies the base I/O port address and the Interrupt Request address of a serial port specified by the user. Select Auto to allow the BIOS to automatically assign the base I/O and IRQ address.  The options for Serial Port 1 are <b>Auto</b> , (IO=3F8h; IRQ=4), (IO=3F8h; IRQ=3, 4, 5, 6, 7, 9, 10, 11, 12), (IO=2F8h; IRQ=3, 4, 5, 6, 7, 9, 10, 11, 12), (IO=3E8h; IRQ=3, 4, 5, 6, 7, 9, 10, 11, 12) and (IO=2E8h; IRQ=3, 4, 5, 6, 7, 9, 10, 11, 12).  The options for Serial Port 2 are <b>Auto</b> , (IO=2F8h; IRQ=3), (IO=3F8h; IRQ=3, 4, 5, 6, 7, 9, 10, 11, 12), (IO=2F8h; IRQ=3, 4, 5, 6, 7, 9, 10, 11, 12), (IO=3E8h; IRQ=3, 4, 5, 6, 7, 9, 10, 11, 12) and (IO=2E8h; IRQ=3, 4, 5, 6, 7, 9, 10, 11, 12).
Device Mode	Use this feature to set the optimal setting for a super I/O device. The options are <b>24MHz/13</b> and <b>24MHz</b> .
Serial Port 2 Attribute (Available for Serial Port 2 only)	This feature specifies the attribute of Serial Port 1. The options are <b>SOL</b> and <b>COM</b> .

Table 5-11. Serial Port Console Redirection Sub-menu

Menu Option	Description
<b>COM1 Console Redirection, COM2/SOL/Legacy Console Redirection Sub-menus</b>	
Console Redirection	Select Enabled to enable console redirection support for a serial port specified by the user. The options are Enabled and <b>Disabled</b> .
► Console Redirection Settings	This submenu allows the user to specify how the host computer will exchange data with the client computer, which is the remote computer used by the user.
Terminal Type	This feature allows the user to select the target terminal emulation type for Console Redirection. Select VT100 to use the ASCII Character set. Select VT100+ to add color and function key support. Select ANSI to use the Extended ASCII Character Set. Select VT-UTF8 to use UTF8 encoding to map Unicode characters into one or more bytes. The options are ANSI, VT100, <b>VT100+</b> , and VT-UTF8.
Bits Per second	Use this feature to set the transmission speed for a serial port used in Console Redirection. Make sure that the same speed is used in the host computer and the client computer. A lower transmission speed may be required for long and busy lines. The options are 9600, 19200, 38400, 57600 and <b>115200</b> (bits per second).
Data Bits	Use this feature to set the data transmission size for Console Redirection. The options are 7 Bits and <b>8 Bits</b> .
Parity	A parity bit can be sent along with regular data bits to detect data transmission errors. Select Even if the parity bit is set to 0, and the number of 1's in data bits is even. Select Odd if the parity bit is set to 0, and the number of 1's in data bits is odd. Select None if you do not want to send a parity bit with your data bits in transmission. Select Mark to add a mark as a parity bit to be sent along with the data bits. Select Space to add a Space as a parity bit to be sent with your data bits. The options are <b>None</b> , Even, Odd, Mark and Space.
Stop Bits	A stop bit indicates the end of a serial data packet. Select 1 Stop Bit for standard serial data communication. Select 2 Stop Bits if slower devices are used. The options are 1 and 2.
Flow Control	Use this feature to set the flow control for Console Redirection to prevent data loss caused by buffer overflow. Send a "Stop" signal to stop sending data when the receiving buffer is full. Send a "Start" signal to start sending data when the receiving buffer is empty. The options are <b>None</b> and Hardware RTS/CTS.
VT-UTF8 Combo Key Support	Select Enabled to enable VT-UTF8 Combination Key support for ANSI/VT100 terminals. The options are <b>Enabled</b> and Disabled.
Recorder Mode	Select Enabled to capture the data displayed on a terminal and send it as text messages to a remote server. The options are <b>Disabled</b> and Enabled.
Resolution 100x31	Select Enabled for extended-terminal resolution support. The options are Disabled and <b>Enabled</b> .
Legacy OS Redirection Resolution	Use this feature to select the number of rows and columns used in Console Redirection for legacy OS support. The options are 80x24 and <b>80x25</b> .

**Table 5-11. Serial Port Console Redirection Sub-menu (Continued)**

Menu Option	Description
Putty KeyPad	This feature selects the settings for Function Keys and KeyPad used for Putty, which is a terminal emulator designed for the Windows OS. The options are <b>VT100</b> , LINUX, XTERMR6, SC0, ESCN, and VT400.
Redirection After BIOS Post	Use this feature to enable or disable legacy console redirection after BIOS POST. When set to Bootloader, legacy console redirection is disabled before booting the OS. When set to Always Enable, legacy console redirection remains enabled when booting the OS. The options are <b>Always Enable</b> and Bootloader.
▶ Legacy Console Redirection Settings	This submenu allows the user to specify how the host computer will exchange data with the client computer, which is the remote computer used by the user.
Legacy Serial Redirection Port (for Legacy Console Redirection only)	Use this setting to select a COM port to display redirection of Legacy OS and Legacy OPROM messages. Options include <b>COM1 Console Redirection</b> or COM2/SOL Console Redirection.
<b>Serial Port for Out-of-Band Management/Windows Emergency Management Services (EMS)</b>	
Console Redirection (for EMS)	Select Enabled to use a COM Port selected by the user for Console Redirection. The options are Enabled and <b>Disabled</b> .
▶ Console Redirection Settings (for EMS)	This submenu allows the user to specify how the host computer will exchange data with the client computer, which is the remote computer used by the user.
Out-of-Band Management Port	The feature selects a serial port used by the Microsoft Windows Emergency Management Services (EMS) to communicate with a remote server. The options are <b>COM1 Console Redirection</b> and COM2/SOL Console Redirection.
Terminal Type	This feature allows the user to select the target terminal emulation type for Console Redirection. Select VT100 to use the ASCII character set. Select VT100+ to add color and function key support. Select ANSI to use the extended ASCII character set. Select VT-UTF8 to use UTF8 encoding to map Unicode characters into one or more bytes. The options are ANSI, VT100, VT100+, and <b>VT-UTF8</b> .
Bits Per Second	This item sets the transmission speed for a serial port used in Console Redirection. Make sure that the same speed is used in the host computer and the client computer. A lower transmission speed may be required for long and busy lines. The options are 9600, 19200, 57600, and <b>115200</b> (bits per second).
Flow Control	This feature allows the user to set the flow control for Console Redirection to prevent data loss caused by buffer overflow. Send a "Stop" signal to stop sending data when the receiving buffer is full. Send a "Start" signal to start sending data when the receiving buffer is empty. The options are <b>None</b> , Hardware RTS/CTS, and Software Xon/Xoff.
Data Bits, Parity, Stop Bits	The status of each item above is displayed.

**Table 5-12. ACPI Settings Sub-menu**

Menu Option	Description
WHEA Support	Use this setting to <b>Enable</b> or Disable WHEA ACPI support.
High Precision Timer	Use this setting to <b>Enable</b> or Disable the High Precision Event Timer.
NUMA	Use this setting to <b>Enable</b> or Disable NUMA support.

**Table 5-13. iSCSI Configuration Sub-menu**

Menu Option	Description
iSCSI Initiator Name	Use this setting to enter a unique name of the iSCSI Initiator. Only IQN format is accepted. Range is from 4 to 223.

## 5-6 Event Logs Setup

Choose **Event Logs Setup** from the BIOS Setup main menu with the arrow keys to bring up the EVENT LOGS SETUP menu. Event Logs setup options are displayed by highlighting the setting using the arrow keys and pressing <ENTER>. All Event Logs Setup BIOS settings are described in [Table 5-14](#) below.

**Table 5-14. Event Logs Menu**

Menu Option	Description
►Change SMBIOS Event Log Settings	This sub-menu allows you to change the SMBIOS Event Log configuration settings.
SMBIOS Event Log	Change this setting to enable or disable all features of the SMBIOS Event Logging during system boot. The options are <b>Enabled</b> and <b>Disabled</b> .
Runtime Error Logging Support	This setting <b>Enables</b> or Disables Runtime Error Logging Support.
Memory Corrected Error Enabling	This setting <b>Enables</b> or Disables Corrected Memory Error Logging.
PCI-Ex Error Enable	This setting Enables or <b>Disables</b> PCI-Ex Error Logging.
Memory Corr. Error Threshold	Use this setting to set the Corrected Memory Error Logging Threshold using the keyboard's "+" or "-" keys. Default is <b>10</b> .
Erase Event Log	If No is selected, data stored in the event log will not be erased. Select Yes, Next Reset, data in the event log will be erased upon next system reboot. Select Yes, Every Reset, data in the event log will be erased upon every system reboot. The options are <b>No</b> , Yes, Next reset, and Yes, Every reset.
When Log is Full	Select Erase Immediately for all messages to be automatically erased from the event log when the event log memory is full. The options are <b>Do Nothing</b> and Erase Immediately.
Log System Boot Event	This option toggles the System Boot Event logging to enabled or disabled. The options are <b>Disabled</b> and Enabled.
MECI	The Multiple Event Count Increment (MECI) counter counts the number of occurrences that a duplicate event must happen before the MECI counter is incremented. This is a numeric value. The default value is <b>1</b> .
METW	The Multiple Event Time Window (METW) defines number of minutes must pass between duplicate log events before MECI is incremented. This is in minutes, from 0 to 99. The default value is <b>60</b> .
►View SMBIOS Event Log	This section displays the contents of the SMBIOS Event Log. It provides a date, time, error code and severity with a brief description of each event.

## 5-7 IPMI Setup

Choose **IPMI Setup** from the BIOS Setup main menu with the arrow keys to bring up the IPMI SETUP menu. IPMI setup options are displayed by highlighting the setting using the arrow keys and pressing <ENTER>. All IPMI Setup BIOS settings are described in [Table 5-15](#) below.

**Table 5-15. IPMI Menu**

Menu Option	Description
IPMI Information	IPMI Firmware Revision and IPMI Status information are statically displayed at the top of this menu.
▶ System Event Log	Selecting this submenu displays settings for changing the SEL Event Log configuration.
SEL Components	Change this setting to <b>Enable</b> or Disable all features of the System Event Logging during boot-up.
Erase SEL	Use this setting for erasing the SEL. Options are <b>No</b> , Yes On Next Reset and Yes On Every Reset.
When SEL is Full	Use this setting to choose options for reactions to a full SEL. Options include <b>Do Nothing</b> and Erase Immediately.
Log EFI Status Codes	Use this setting to <b>Enable</b> or Disable logging of EFI status codes, log only error codes or only progress codes
▶ BMC Network Configuration	Use this submenu to configure BMC network parameters.
Update IPMI LAN Configuration	Specify Yes or <b>No</b> for the BIOS to use this setting for IPMI in the next boot-up.
Configuration Address Source	This setting allows you to configure LAN channel parameters Statically or Dynamically (by BIOS or BMC). Unspecified option will not modify any BMC network parameters during the BIOS phase. Options are <b>DHCP</b> (dynamic) or Static.
BMC Network Configuration Information	The submenu contains static display information for the Station IP Address, Subnet Mask, Station MAC Address and Gateway IP Address.

## 5-8 Security

Choose **Security** from the BIOS Setup main menu with the arrow keys to bring up the SECURITY SETUP menu. Security setting options are displayed by highlighting the setting using the arrow keys and pressing <ENTER>. All Security BIOS settings are described in [Table 5-16](#) below.

**Table 5-16. Security Menu Options**

Menu Option	Description
Administrator Password	This allows you to create an administrator password for the system.
User Password	This allows you to create user password for the system.

## 5-9 Boot

Choose **Boot** from the 128 Mb SPI Flash EEPROM with AMI® BIOS BIOS Setup Utility main menu with the arrow keys to bring up the BOOT SETUP menu. Security setting options are displayed by highlighting the setting using the arrow keys and pressing <ENTER>. All Security BIOS settings are described in [Table 5-17](#) below.

**Table 5-17. Boot Setup Menu Options**

Menu Option	Description
Boot Mode Select	Use this setting to select the boot mode used. Options include Legacy, UEFI and Dual.
Fixed Boot Order Priority: Boot Option # List	This option list allows you to specify the sequence of priority for the boot device (such as hard disk drives, USB devices, CD-ROM drives, Network drives and so on). Press <Enter> for each boot option and a list of available boot devices will display for you to choose. Each installed boot device can be set to a specific Boot Option number or to Disabled. <b>NOTE:</b> A device enclosed in parenthesis has been disabled in the corresponding type menu.
▶Delete Boot Option	This submenu allows you to remove an EFI boot option form the boot order.
▶Delete Driver Option	This submenu allows you to remove an EFI driver option form the driver order.
▶Hard Disk Drive BBS Priorities	This submenu allows you to set the order of the legacy devices in this group for setting the boot order.
▶Network Device BBS Priorities	This submenu allows you to set the order of the legacy devices in this group for setting the boot order.
▶CDROM/DVD Device BBS Priorities	This submenu allows you to set the order of the legacy devices in this group for setting the boot order.
▶UEFI Application Boot Priorities	This submenu allows you to set the order of the legacy devices in this group for setting the boot order.

## 5-10 Save & Exit

Choose **SAVE & EXIT** from the 128 Mb SPI Flash EEPROM with AMI® BIOS BIOS Setup Utility main menu with the arrow keys to display the **SAVE & EXIT SETUP** menu. All Exit BIOS settings are described in [Table 5-18](#) below.

**Table 5-18. Exit Menu Options**

Menu Option	Description
Discard Changes and Exit	Highlight this item and hit <ENTER> to exit the BIOS Setup utility without saving any changes you may have made. Any changes you have made to the BIOS Setup will not take effect upon system bootup.
Save Changes and Exit	Highlight this item and hit <ENTER> to save any changes you made and to exit the BIOS Setup utility. The system will reboot and implement the changes you have made to the BIOS Setup.
Save Changes	Highlight this item and hit <ENTER> to save changes done so far to any of the setup options.
Discard Changes	Highlight this item and hit <ENTER> to discard (cancel) any changes you made. You will remain in the Setup utility.
Restore Defaults	Highlight this item and hit <ENTER> to load the default settings for all items in the BIOS Setup. These are the safest settings to use and are designed for maximum system performance, but may not work best for all computer applications.
Save as Users Defaults	Highlight this item and hit <ENTER> to save changes done so far as user defaults.
Restore User Defaults	Highlight this item and hit <ENTER> to restore the user defaults to all the setup options.
Boot Override	For each boot device you have the option of saving the configuration for it and exiting.

## Notes

---

---

# Appendix A

## AMI UEFI BIOS POST Codes

A status code is a data value used to indicate progress during the boot phase. A subset of these status codes, known commonly as checkpoints, indicate common phases of the BIOS boot process.

Checkpoints are typically output to I/O port 80h, but Aptio 4.x core can be configured to send status codes to a variety of sources. Aptio 4.x core outputs checkpoints throughout the boot process to indicate the task the system is currently executing. Checkpoints are very useful in aiding software developers or technicians in debugging problems that occur during the pre-boot process.

### A-1 Checkpoint Ranges

Table A-1. Checkpoint Ranges

Status Code Range	Description
0x01 – 0x0B	SEC execution
0x0C – 0x0F	SEC errors
0x10 – 0x2F	PEI execution up to and including memory detection
0x30 – 0x4F	PEI execution after memory detection
0x50 – 0x5F	PEI errors
0x60 – 0x8F	DXE execution up to BDS
0x90 – 0xCF	BDS execution
0xD0 – 0xDF	DXE errors
0xE0 – 0xE8	S3 Resume (PEI)
0xE9 – 0xEF	S3 Resume errors (PEI)
0xF0 – 0xF8	Recovery (PEI)
0xF9 – 0xFF	Recovery errors (PEI)

## A-2 Standard Checkpoints

Table A-2. SEC Phase

Codes	Description
<b>Status Code</b>	
0x00	Not Used
<b>Progress Codes</b>	
0x01	Power on. Reset type detection (soft/hard).
0x02	AP initialization before microcode loading
0x03	North Bridge initialization before microcode loading
0x04	South Bridge initialization before microcode loading
0x05	OEM initialization before microcode loading
0x06	Microcode loading
0x07	AP initialization after microcode loading
0x08	North Bridge initialization after microcode loading
0x09	South Bridge initialization after microcode loading
0x0A	OEM initialization after microcode loading
0x0B	Cache initialization
0x0C – 0x0D	Reserved for future AMI SEC error codes
0x0E	Microcode not found
0x0F	Microcode not loaded

Table A-3. PEI Phase

Status Codes	Description
<b>Progress Codes</b>	
0x10	PEI Core is started
0x11	Pre-memory CPU initialization is started
0x12	Pre-memory CPU initialization (CPU module specific)
0x13	Pre-memory CPU initialization (CPU module specific)
0x14	Pre-memory CPU initialization (CPU module specific)
0x15	Pre-memory North Bridge initialization is started
0x16	Pre-Memory North Bridge initialization (North Bridge module specific)
0x17	Pre-Memory North Bridge initialization (North Bridge module specific)
0x18	Pre-Memory North Bridge initialization (North Bridge module specific)
0x19	Pre-memory South Bridge initialization is started

Table A-3. PEI Phase

Status Codes	Description
0x1A	Pre-memory South Bridge initialization (South Bridge module specific)
0x1B	Pre-memory South Bridge initialization (South Bridge module specific)
0x1C	Pre-memory South Bridge initialization (South Bridge module specific)
0x1D – 0x2A	OEM pre-memory initialization codes
0x2B	Memory initialization. Serial Presence Detect (SPD) data reading
0x2C	Memory initialization. Memory presence detection
0x2D	Memory initialization. Programming memory timing information
0x2E	Memory initialization. Configuring memory
0x2F	Memory initialization (other).
0x30	Reserved for ASL (see ASL Status Codes section below)
0x31	Memory Installed
0x32	CPU post-memory initialization is started
0x33	CPU post-memory initialization. Cache initialization
0x34	CPU post-memory initialization. Application Processor(s) (AP) initialization
0x35	CPU post-memory initialization. Boot Strap Processor (BSP) selection
0x36	CPU post-memory initialization. System Management Mode (SMM) initialization
0x37	Post-Memory North Bridge initialization is started
0x38	Post-Memory North Bridge initialization (North Bridge module specific)
0x39	Post-Memory North Bridge initialization (North Bridge module specific)
0x3A	Post-Memory North Bridge initialization (North Bridge module specific)
0x3B	Post-Memory South Bridge initialization is started
0x3C	Post-Memory South Bridge initialization (South Bridge module specific)
0x3D	Post-Memory South Bridge initialization (South Bridge module specific)
0x3E	Post-Memory South Bridge initialization (South Bridge module specific)
0x3F-0x4E	OEM post memory initialization codes
0x4F	DXE IPL is started
<b>PEI Error Codes</b>	
0x50	Memory initialization error. Invalid memory type or incompatible memory speed
0x51	Memory initialization error. SPD reading has failed
0x52	Memory initialization error. Invalid memory size or memory modules do not match.
0x53	Memory initialization error. No usable memory detected

**Table A-3. PEI Phase**

Status Codes	Description
0x54	Unspecified memory initialization error.
0x55	Memory not installed
0x56	Invalid CPU type or Speed
0x57	CPU mismatch
0x58	CPU self test failed or possible CPU cache error
0x59	CPU micro-code is not found or micro-code update is failed
0x5A	Internal CPU error
0x5B	reset PPI is not available
0x5C-0x5F	Reserved for future AML error codes
<b>S3 Resume Progress Codes</b>	
0xE0	S3 Resume is started (S3 Resume PPI is called by the DXE IPL)
0xE1	S3 Boot Script execution
0xE2	Video repost
0xE3	OS S3 wake vector call
0xE4-0xE7	Reserved for future AML progress codes
<b>S3 Resume Error Codes</b>	
0xE8	S3 Resume Failed
0xE9	S3 Resume PPI not Found
0xEA	S3 Resume Boot Script Error
0xEB	S3 OS Wake Error
0xEC-0xEF	Reserved for future AML error codes
<b>Recovery Progress Codes</b>	
0xF0	Recovery condition triggered by firmware (Auto recovery)
0xF1	Recovery condition triggered by user (Forced recovery)
0xF2	Recovery process started
0xF3	Recovery firmware image is found
0xF4	Recovery firmware image is loaded
0xF5-0xF7	Reserved for future AML progress codes
<b>Recovery Error Codes</b>	
0xF8	Recovery PPI is not available
0xF9	Recovery capsule is not found

Table A-3. PEI Phase

Status Codes	Description
0xFA	Invalid recovery capsule
0xFB – 0xFF	Reserved for future AMI error codes

Table A-4. PEI Beep Codes

# of Beeps	Description
1	Memory not Installed
1	Memory was installed twice (InstallPeiMemory routine in PEI Core called twice)
2	Recovery started
3	DXE IPL was not found
3	DXE Core Firmware Volume was not found
4	Recovery failed
4	S3 Resume failed
7	Reset PPI is not available

Table A-5. DXE Phase

Status Codes	Description
0x60	DXE Core is started
0x61	NVRAM initialization
0x62	Installation of the South Bridge Runtime Services
0x63	CPU DXE initialization is started
0x64	CPU DXE initialization (CPU module specific)
0x65	CPU DXE initialization (CPU module specific)
0x66	CPU DXE initialization (CPU module specific)
0x67	CPU DXE initialization (CPU module specific)
0x68	PCI host bridge initialization
0x69	North Bridge DXE initialization is started
0x6A	North Bridge DXE SMM initialization is started
0x6B	North Bridge DXE initialization (North Bridge module specific)
0x6C	North Bridge DXE initialization (North Bridge module specific)
0x6D	North Bridge DXE initialization (North Bridge module specific)
0x6E	North Bridge DXE initialization (North Bridge module specific)
0x6F	North Bridge DXE initialization (North Bridge module specific)
0x70	South Bridge DXE initialization is started

**Table A-5. DXE Phase**

Status Codes	Description
0x71	South Bridge DXE SMM initialization is started
0x72	South Bridge devices initialization
0x73	South Bridge DXE Initialization (South Bridge module specific)
0x74	South Bridge DXE Initialization (South Bridge module specific)
0x75	South Bridge DXE Initialization (South Bridge module specific)
0x76	South Bridge DXE Initialization (South Bridge module specific)
0x77	South Bridge DXE Initialization (South Bridge module specific)
0x78	ACPI module initialization
0x79	CSM initialization
0x7A – 0x7F	Reserved for future AMI DXE codes
0x80 – 0x8F	OEM DXE initialization codes
0x90	Boot Device Selection (BDS) phase is started
0x91	Driver connecting is started
0x92	PCI Bus initialization is started
0x93	PCI Bus Hot Plug Controller Initialization
0x94	PCI Bus Enumeration
0x95	PCI Bus Request Resources
0x96	PCI Bus Assign Resources
0x97	Console Output devices connect
0x98	Console input devices connect
0x99	Super IO Initialization
0x9A	USB initialization is started
0x9B	USB Reset
0x9C	USB Detect
0x9D	USB Enable
0x9E – 0x9F	Reserved for future AMI codes
0xA0	IDE initialization is started
0xA1	IDE Reset
0xA2	IDE Detect
0xA3	IDE Enable
0xA4	SCSI initialization is started
0xA5	SCSI Reset

Table A-5. DXE Phase

Status Codes	Description
0xA6	SCSI Detect
0xA7	SCSI Enable
0xA8	Setup Verifying Password
0xA9	Start of Setup
0xAA	Reserved for ASL (see ASL Status Codes section below)
0xAB	Setup Input Wait
0xAC	Reserved for ASL (see ASL Status Codes section below)
0xAD	Ready To Boot event
0xAE	Legacy Boot event
0xAF	Exit Boot Services event
0xB0	Runtime Set Virtual Address MAP Begin
0xB1	Runtime Set Virtual Address MAP End
0xB2	Legacy Option ROM Initialization
0xB3	System Reset
0xB4	USB hot plug
0xB5	PCI bus hot plug
0xB6	Clean-up of NVRAM
0xB7	Configuration Reset (reset of NVRAM settings)
0xB8 – 0xBF	Reserved for future AMI codes
0xC0 – 0xCF	OEM BDS initialization codes
<b>DXE Error Codes</b>	
0xD0	CPU initialization error
0xD1	North Bridge initialization error
0xD2	South Bridge initialization error
0xD3	Some of the Architectural Protocols are not available
0xD4	PCI resource allocation error. Out of Resources
0xD5	No Space for Legacy Option ROM
0xD6	No Console Output Devices are found
0xD7	No Console Input Devices are found
0xD8	Invalid password
0xD9	Error loading Boot Option (LoadImage returned error)
0xDA	Boot Option is failed (StartImage returned error)

**Table A-5. DXE Phase**

Status Codes	Description
0xDB	Flash update is failed
0xDC	Reset protocol is not available

**Table A-6. DXE Beep Codes**

# of Beeps	Description
1	Invalid password
4	Some of the Architectural Protocols are not available
5	No Console Output Devices are found
5	No Console Input Devices are found
6	Flash update is failed
7	Reset protocol is not available
8	Platform PCI resource requirements cannot be met

**Table A-7. ACPI/ASL Checkpoints**

Status Codes	Description
0x01	System is entering S1 sleep state
0x02	System is entering S2 sleep state
0x03	System is entering S3 sleep state
0x04	System is entering S4 sleep state
0x05	System is entering S5 sleep state
0x10	System is waking up from the S1 sleep state
0x20	System is waking up from the S2 sleep state
0x30	System is waking up from the S3 sleep state
0x40	System is waking up from the S4 sleep state
0xAC	System has transitioned into ACPI mode. Interrupt controller is in PIC mode.
0xAA	System has transitioned into ACPI mode. Interrupt controller is in APIC mode.

## A-3 OEM-Reserved Checkpoint Ranges

Table A-8. OEM-Reserved Checkpoint Ranges

Status Codes	Description
0x05	OEM SEC initialization before microcode loading
0x0A	OEM SEC initialization after microcode loading
0x1D – 0x2A	OEM pre-memory initialization codes
0x3F – 0x4E	OEM PEI post memory initialization codes
0x80 – 0x8F	OEM DXE initialization codes
0xC0 – 0xCF	OEM BDS initialization codes

## Notes

---

---

# Disclaimer

The products sold by Supermicro are not intended for and will not be used in life support systems, medical equipment, nuclear facilities or systems, aircraft, aircraft devices, aircraft/emergency communication devices or other critical systems whose failure to perform be reasonably expected to result in significant injury or loss of life or catastrophic property damage. Accordingly, Supermicro disclaims any and all liability, and should buyer use or sell such products for use in such ultra-hazardous applications, it does so entirely at its own risk. Furthermore, buyer agrees to fully indemnify, defend and hold Supermicro harmless for and against any and all claims, demands, actions, litigation, and proceedings of any kind arising out of or related to such ultra-hazardous use or sale.

## Notes