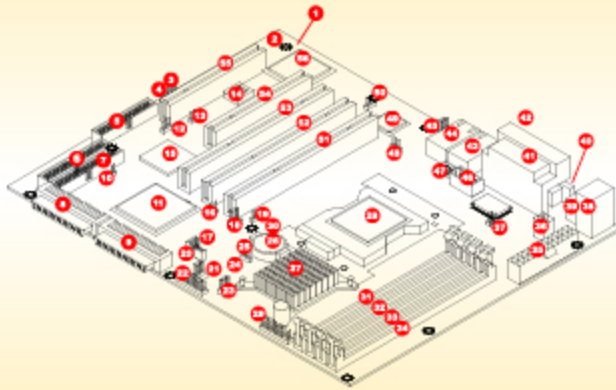


SuperServer 5013S-8/i Serverboard Components



1 Super X5SS8-GM serverboard	18 CPU-fan	38 Keyboard & mouse ports
2 JP20: Main power override	19 JP16: Chassis intrusion header	39 USB 0/1 ports
3 USB 2 ports	20 JPA2*: SCSI CH B termination	40 COM1
4 USB 3 ports	21 Chassis fan	41 Parallel port
5 Floppy conn.	22 JF2: Chini/NM/HD LED/PWR LED headers	42 VGA port
6 IDE#2 conn.	23 CH/Chassis fan	43 10/100Mbps LAN1 port
7 IDE#1 conn.	24 JP15: Fan status select	44 Gigabit LAN2 port
8 JA2*: SCSI CH A connector	25 JP22: System bus speed select	45 Chassis fan
9 JA3*: SCSI CH B connector	26 Battery	46 COM2
10 JPA1*: SCSI CH A termination	27 North bridge	47 JP11: Wake-on-LAN header
11 *Adaptec 7902 SCSI controller	28 CPU socket	48 JP10: 10/100Mbps En/Disable
12 JP3: VGA enable/disable	29 JF1: Front control panel header	49 Broadcom Gigabit chip
13 SW1	30 JBT1: CMOS clear	50 JP27: Gb LAN enable/disable
14 BIOS	31, 32, 33, 34 DDR#1, #2, #3, #4DIMM slots	51, 52, 53 64-bit PCI #1, #2, #3
15 South Bridge	35 J35: ATX power connector	54 32-bit PCI #4
16 JA1*: SCSI enable/disable	36 J50: Processor power connector	55 32-bit PCI #5
17 J36: SMB header	37 JP19: Watch Dog enable/disable	56 ATI Rage XL 4MB

* X5SS8-GM only

Rear Panel Functions



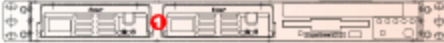
1. AC Power connector
2. PS/2 Mouse and Keyboard ports
3. 2 USB ports
4. 2 COM ports (1 internal)
5. 1 VGA port
6. 2 LAN ports
7. 64/32-bit Expansion slot
8. External High Density SCSI Connector (5013S-8 only)
9. PCI Card Release Latch
10. Printer port

X5SS8/E-GM Quick Reference

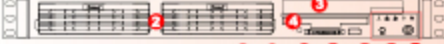
Jumpers	Description	Default Setting
JA1	SCSI Enable/Disable	Pins 1-2 (Enabled)
JBT1	CMOS Clear	Pad
JPA1*/JA2*	SCSI CH A/B Termination	OFF (Terminated)
JP9	VGA Enable/Disable	Pins 1-2 (Enable)
JP10	Mb LAN Enable/Disable	Pins 1-2 (Enabled)
JP15	Fan Status Select	Open (OH Condition)
JP19	Watch Dog Enable/Disable	Open (Disabled)
JP20	Main Power Override	OFF (Normal)
JP22	System Bus Speed Select	Pins 1-2 (Auto)
JP27	Gigabit LAN Enable/Disable	Pins 1-2 (Enabled)

Front Panel Functions

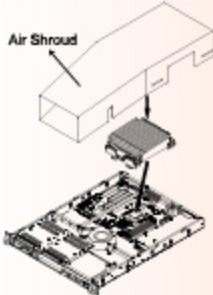
5013S-8



5013S-i



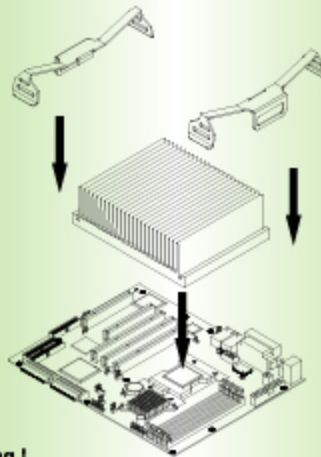
1. Hot-plug SCSI hard drive, SCSI ID 1,0
2. 2 x 3.5" IDE drive bays
3. CD-ROM/diskette drive assembly
4. 1 Slim Floppy drive
5. Overheat: Indicates an overheat condition in the system
6. NIC2: Indicates network activity on LAN2 when flashing
7. NIC1: Indicates network activity on LAN1 when flashing
8. HDD: Indicates HD drive activity.
9. Power: Indicates power is being supplied to the system's power supply units
10. Power button
11. Reset button



An air shroud may have been included with your systems to help channel the cooling air over the processor. Position the air shroud over the heatsink/processor assembly.



Cooling Fan Installation



Warning ! CPU Heat Sink Installation Procedures (For Supermicro SuperServer 1U Systems)

Due to the fact that adequate air flow and proper thermal control are very critical in maintaining 1U system's stability and performance, it is imperative that the proper installation procedures listed below be followed in order to maximize system performance. This is especially critical for 1U Dual Processor Servers with speeds of 1 GHz and above.

- 1) Only those CPU heat sinks that are provided by Supermicro should be used.
- 2) Apply a small amount of silicon compound on the CPU's die.
- 3) Place the CPU heat sink on top of the CPU.
- 4) Place the heat sink spring on top of the CPU heat sink and secure the clip of the spring into its notch. (Make sure the clip position is the same as the picture shown above.)

SUPERMICRO®

To protect the system and components and ensure proper cooling, it is essential that you reinstall the top panel after you have finished working on the system.