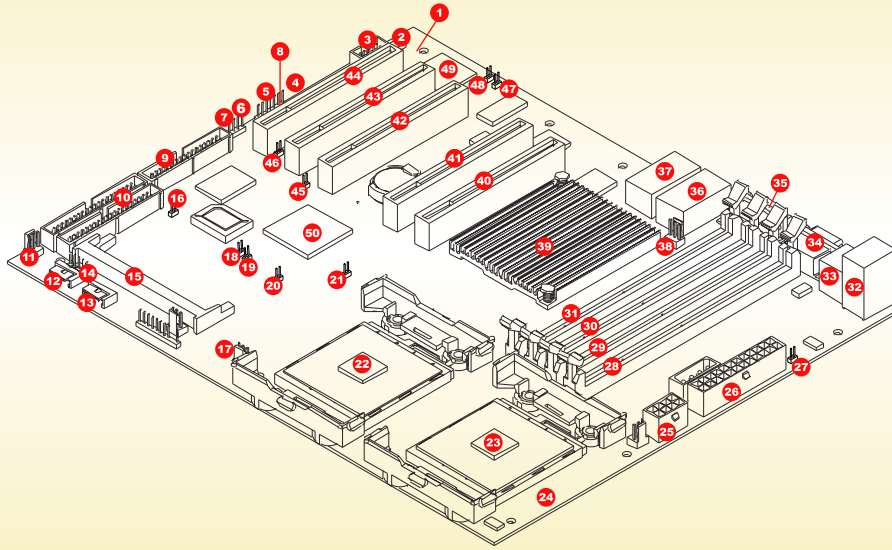


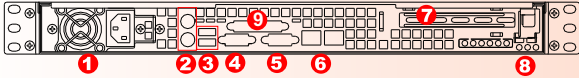
SuperServer 6013A-T Serverboard Components



1 Super X5DPA-TGM+ serverboard	18 J27: USB 4 port	35 VGA port
2 JP4: VGA Enable/Disable	19 JD2: USB 2/3 port	36 LAN port
3 J26: COM2 port	20 JP24: SMBUS	37 Gigabit LAN
4 JBT1: CMOS clear	21 JP39: CPU clock	38 Chassis Fan #5
5 JD1: PWR LED/Speaker header	22 CPU 2 socket	39 MCH: North bridge
6 WOR: Wake-on-Ring header	23 CPU 1 socket	40 PCI #1 slot
7 JL1: Chassis intrusion header	24 CPU fan #1	41 PCI #2 slot
8 Printer port	25 J15: 8-pin power connector	42 PCI #3 slot
9 Floppy port	26 ATX power connector	43 PCI #4 slot
10 IDE #1 & IDE#2 ports	27 JP40: Force power on	44 PCI #5 slot
11 Chassis fan #4	28 DIMM #1A socket	45 JP41: Watch dog
12 SATA #1 port	29 DIMM #1B socket	46 J12: SMBUS header
13 SATA #2 port	30 DIMM #2A socket	47 JP3: LAN Enable/Disable
14 J5: SATA LED header	31 DIMM #2B socket	48 JP6: Gigabit LAN Enable/Disable
15 IPMI port	32 Keyboard & mouse	49 VGA chip
16 JP35: Keylock switch connector	33 USB 0/1 port	50 ICH5R: South bridge
17 CPU fan #2	34 COM1 port	

Rear Panel Functions

6013A-T



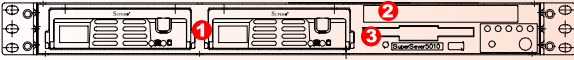
1. AC Power connector
2. PS/2 Mouse and Keyboard ports
3. 2 USB ports
4. 2 COM ports (1 internal)
5. 1 VGA port
6. 2 LAN ports
7. 32-bit Expansion slot
8. PCI Card Release Latch

X5DPA-TGM+ Quick Reference

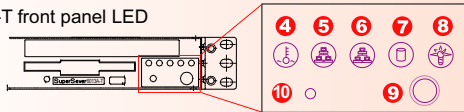
Jumpers	Description	Default Setting
J12	SMBus header	Pins 1-2, 3-4 (Enabled)
JBT1	CMOS clear	Pins 1-2 (Normal)
JD1	PWR LED/Speaker Header	Pins 6-7 (Enabled)
JP3	LAN Enable/Disable	Pins 1-2 (Enabled)
JP6	GLAN Enable/Disable	Pins 1-2 (Enabled)
JP4	VGA Enable/Disable	Pins 1-2 (Enabled)
JP39	CPU Clock	Pins 1-2 (Auto)
JP40	Force Power On	Open (Disabled)
JP41	Watch Dog	Pins 1-2 (Reset)

Front Panel Functions

6013A-T



6013A-T front panel LED



1. Hot-swap Serial ATA drive bays
2. CD-ROM/diskette drive assembly
3. 1 Floppy drive
4. Overheat: Indicates an overheat condition in the system
5. NIC2: Indicates network activity on LAN2 when flashing
6. NIC1: Indicates network activity on LAN1 when flashing
7. HDD: Indicates HD drive activity.
8. Power: Indicates power is being supplied to the system's power supply units
9. Power button
10. Reset button

SUPERMICRO®

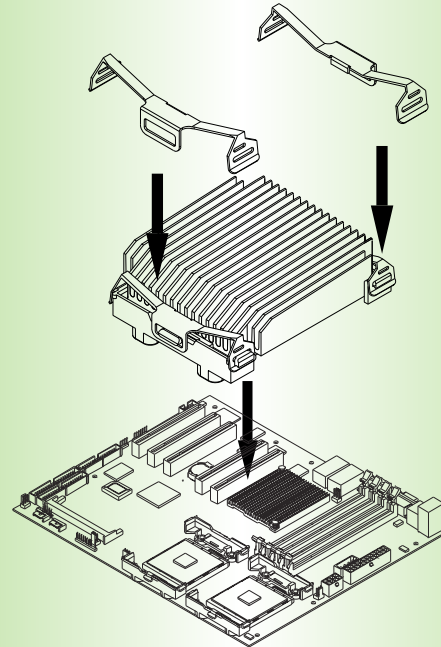


LBL-0113



REV 1.0

Cooling Fan Installation



Warning ! CPU Heatsink Installation Procedures (for Supermicro SuperServer 1U systems)

Since adequate air flow and proper thermal control are very critical in maintaining a 1U system's stability and performance, it is imperative that the proper installation procedures listed below be followed in order to maximize system performance.

- 1) Only CPU heatsinks that are provided by Supermicro should be used.
- 2) Apply a small amount of silicon compound on the CPU's die, if needed
- 3) Place the CPU heatsink spring on the top of the CPU heatsink and secure the clip of the spring into its notch. (Make sure that the clip position is the same as in the picture shown above.)