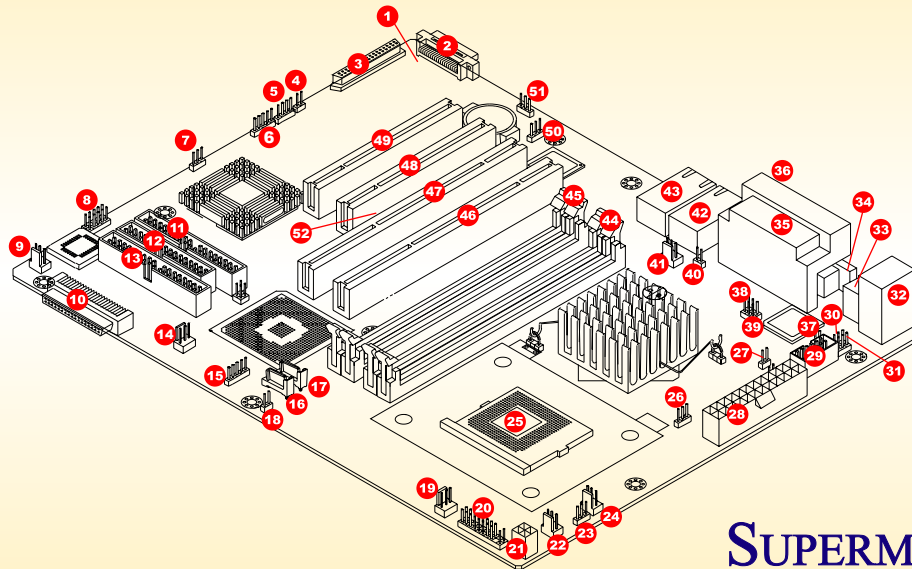


# SuperServer 5013C-M8 Serverboard Components

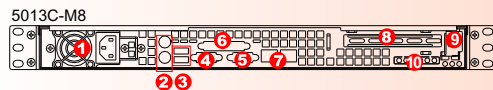


**SUPERMICRO®**

1 P4SC8 serverboard	18 JL1: chassis intrusion header	35 Parallel port
2 Ext. SCSI CH #B port	19 Chassis fan #4	36 VGA port
3 SCSI CH #B	20 JF1: front control panel header	37 WOR: Wake-on-Ring
4 J36: keylock enable/disable	21 J21: +12V 4-pin power connector	38, 39 JP1, JP2: CPU clock speed
5 J18: Speaker enable	22 Chassis fan #1	40 JP3: OH fan force on
6 J37: Serial ATA LED activity header	23 J17: power LED	41 Overheat fan
7 JPA3: SCSI enable/disable	24 CPU fan	42 Gigabit LAN #1
8 USB 3/4 ports	25 CPU 478 mPGA socket	43 Gigabit LAN#2
9 Chassis Fan #3	26 JP8: Watchdog reset	44 Bank 0 (DIMM 0A & 0B)
10 SCSI CH #A	27 J20: ATX power connector	45 Bank 1 (DIMM 1A & 1B)
11 IDE #2	28 JP20: system power force on	46 PCI-X #1
12 Floppy connector	29 COM2	47 PCI-X #2
13 IDE #1	30 JPUSB: USB 1/2 wake-up	48 PCI #1
14 Chassis fan #2	31 JPWAKE: keyboard wake-up	49 PCI #2
15 J16: infrared port	32 Keyboard/mouse ports	50 JPL2: GLAN2 enable/disable
16 SATA 1 port	33 USB 1/2 ports	51 J33: VGA enable/disable
17 SATA 2 port	34 COM1	52 J15: System management bus

\* Note: Interleaved memory requires DDR DIMMs to be installed in pairs

## Rear Panel Functions



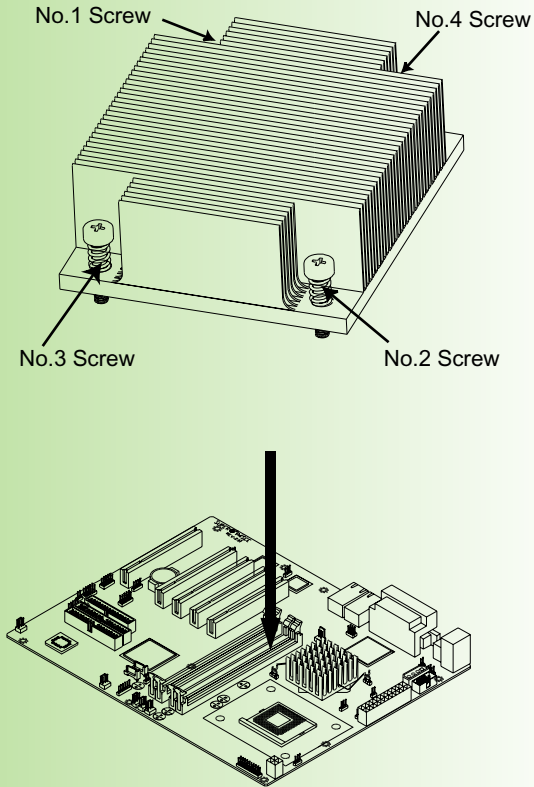
1. AC Power connector
2. PS/2 Mouse and Keyboard ports
3. 2 USB ports
4. 1 COM port (1 internal)
5. 1 VGA port
6. Printer port
7. 2 LAN ports
8. 64-bit PCI-X 66MHz slot
9. PCI Card Release Latch
10. External SCSI

## P4SC8 Quick Reference

Jumpers	Description	Default Setting
J17	Power LED	Closed (On)
JBT1	CMOS Clear	Pad
J18	Speaker	Pins 3-4 (Internal)
J33	VGA Enable/Disable	Pins 1-2 (Enabled)
J36	Keylock Enable/Disable	Open (Disabled)
JP1, JP2	CPU Clock Speed	Pins 1-2 (Auto)
JP3	OH Fan Force On	Closed (On)
JP8	Watch Dog Reset	Pins 1-2 (WD Reset)
JP20	Power Force On	Open (Disabled)
JPA3	SCSI Enable/Disable	Pins 1-2 (Enabled)
JPL2	GLAN2 Enable/Disable	Pins 1-2 (Enabled)
JPUSB	USB 1/2 Wake Up En/Dis	Pins 1-2 (Disabled)
JPWAKE	Keyboard Wake-up	Pins 1-2 (Disabled)

## Heatsink Installation

### SNK-P0002



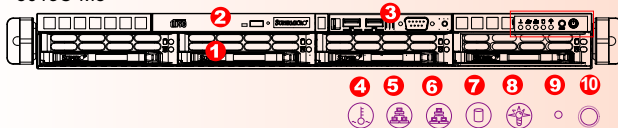
#### Caution!

Do not apply any thermal grease to the heatsink; the required amount of thermal grease has already been applied.

- 1) Only those CPU heatsinks that are provided by Supermicro should be used.
- 2) Do not apply any thermal grease to the heatsink - the required amount has already been applied.
- 3) Place the heatsink on top of the CPU so that the four mounting holes are aligned with those on the chassis.
- 4) Screw in two diagonal screws (ie. the #1 and #2 screws) until just snug (do not fully tighten), then do the same with the remaining two diagonal screws.
- 5) Finish by fully tightening all four screws.

## Front Panel Functions

5013C-M8



1. 4 Hot-swap SCSI drive bays
2. CD-ROM drive
3. Front side 2 USB & 1 COM port
4. Overheat: Indicates an overheat condition in the system
5. NIC2: Indicates network activity on LAN2 when flashing
6. NIC1: Indicates network activity on LAN1 when flashing
7. HDD: Indicates HD drive activity.
8. Power: Indicates power is being supplied to the system's power supply units
9. Reset button
10. Power button



LBL-0119



REV 1.0

**SUPERMICR**®