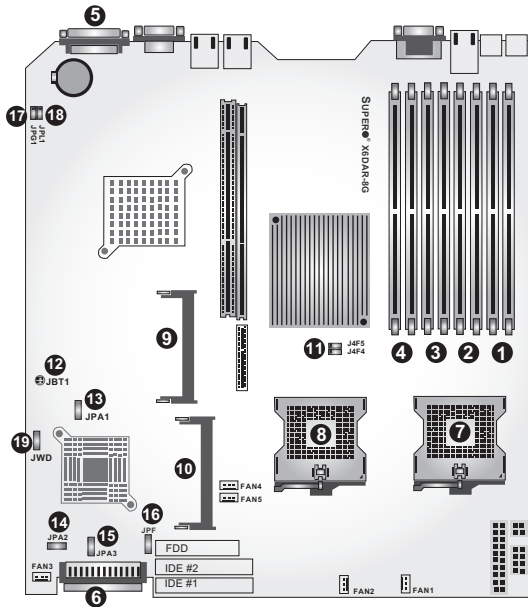


SuperServer 6014A-8 Serverboard Description



- 1 DIMM 1A & 1B
- 2 DIMM 2A & 2B
- 3 DIMM 3A & 3B
- 4 DIMM 4A & 4B
- 5 Ext. SCSI port
- 6 Int. SCSI port
- 7 CPU#1 socket
- 8 CPU#2 socket
- 9 ZCR socket
- 10 IPMI 2.0 socket

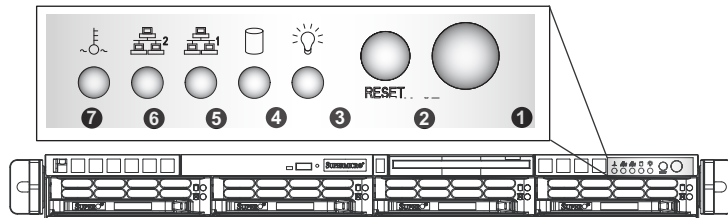
Jumper	Description	Default Setting
11 J4F4/J4F5	Memory Speed Select	Closed (DDR333)
12 JBT1	CMOS Clear	
13 JPA1	SCSI Enable/Disable	Pins 1-2 (Enabled)
14 JPA2	SCSI CH A Term. Enable/Disable	Open (Enabled)
15 JPA3	SCSI CH B Term. Enable/Disable	Open (Enabled)
16 JPF	Power Force On	Open (Disabled)
17 JPG1	VGA Enable/Disable	Pins 1-2 (Enabled)
18 JPL1	GLAN Enable/Disable	Pins 1-2 (Enabled)
19 JWD	Watch Dog	Pins 1-2 (Reset)

* On two pin jumpers, "Closed" means the jumper is on, "Open" means the jumper is off.

For more info go to <http://www.supermicro.com/support>

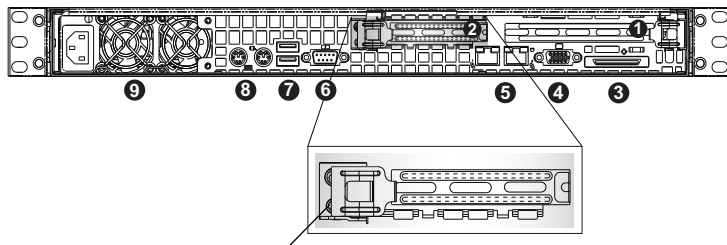


Front Panel LED



- 1 Power Button
- 2 Reset Button
- 3 Power LED
- 4 Device Activity LED
- 5 LAN1 LED
- 6 LAN2 LED
- 7 Overheat & Fan Fail LED (blinking)

Rear Panel



Adjustable for various PCI-Express bracket sizes

- 1 Standard PCI/PCI-X/PCI-Express slot
- 2 Low-profile PCI/PCI-X/PCI-Express slot
- 3 External SCSI Port
- 4 VGA Port
- 5 LAN #2/1 ports
- 6 COM1 Port
- 7 USB 0/1 Port
- 8 Keyboard/Mouse
- 9 Auto-switching Power Supply