



SUPERSERVER[®]
SYS-121C-TN10R



USER'S MANUAL

Revision 1.1c

The information in this User's Manual has been carefully reviewed and is believed to be accurate. The vendor assumes no responsibility for any inaccuracies that may be contained in this document, and makes no commitment to update or to keep current the information in this manual, or to notify any person or organization of the updates. Please Note: For the most up-to-date version of this manual, please see our website at www.supermicro.com.

Super Micro Computer, Inc. ("Supermicro") reserves the right to make changes to the product described in this manual at any time and without notice. This product, including software and documentation, is the property of Supermicro and/or its licensors, and is supplied only under a license. Any use or reproduction of this product is not allowed, except as expressly permitted by the terms of said license.

IN NO EVENT WILL Super Micro Computer, Inc. BE LIABLE FOR DIRECT, INDIRECT, SPECIAL, INCIDENTAL, SPECULATIVE OR CONSEQUENTIAL DAMAGES ARISING FROM THE USE OR INABILITY TO USE THIS PRODUCT OR DOCUMENTATION, EVEN IF ADVISED OF THE POSSIBILITY OF SUCH DAMAGES. IN PARTICULAR, SUPER MICRO COMPUTER, INC. SHALL NOT HAVE LIABILITY FOR ANY HARDWARE, SOFTWARE, OR DATA STORED OR USED WITH THE PRODUCT, INCLUDING THE COSTS OF REPAIRING, REPLACING, INTEGRATING, INSTALLING OR RECOVERING SUCH HARDWARE, SOFTWARE, OR DATA.

Any disputes arising between manufacturer and customer shall be governed by the laws of Santa Clara County in the State of California, USA. The State of California, County of Santa Clara shall be the exclusive venue for the resolution of any such disputes. Supermicro's total liability for all claims will not exceed the price paid for the hardware product.

FCC Statement: This equipment has been tested and found to comply with the limits for a Class A or Class B digital device pursuant to Part 15 of the FCC Rules. These limits are designed to provide reasonable protection against harmful interference when the equipment is operated in industrial environment for Class A device or in residential environment for Class B device. This equipment generates, uses, and can radiate radio frequency energy and, if not installed and used in accordance with the manufacturer's instruction manual, may cause harmful interference with radio communications. Operation of this equipment in a residential area is likely to cause harmful interference, in which case you will be required to correct the interference at your own expense.

California Best Management Practices Regulations for Perchlorate Materials: This Perchlorate warning applies only to products containing CR (Manganese Dioxide) Lithium coin cells. "Perchlorate Material-special handling may apply. See www.dtsc.ca.gov/hazardouswaste/perchlorate.



WARNING: This product can expose you to chemicals including lead, known to the State of California to cause cancer and birth defects or other reproductive harm. For more information, go to www.P65Warnings.ca.gov.

The products sold by Supermicro are not intended for and will not be used in life support systems, medical equipment, nuclear facilities or systems, aircraft, aircraft devices, aircraft/emergency communication devices or other critical systems whose failure to perform be reasonably expected to result in significant injury or loss of life or catastrophic property damage. Accordingly, Supermicro disclaims any and all liability, and should buyer use or sell such products for use in such ultra-hazardous applications, it does so entirely at its own risk. Furthermore, buyer agrees to fully indemnify, defend and hold Supermicro harmless for and against any and all claims, demands, actions, litigation, and proceedings of any kind arising out of or related to such ultra-hazardous use or sale.

Manual Revision 1.1c

Release Date: March 04, 2026

Unless you request and receive written permission from Super Micro Computer, Inc., you may not copy any part of this document. Information in this document is subject to change without notice. Other products and companies referred to herein are trademarks or registered trademarks of their respective companies or mark holders.

Copyright © 2026 by Super Micro Computer, Inc.
All rights reserved.

Printed in the United States of America

Preface

About this Manual

This manual is written for professional system integrators and PC technicians. It provides information for the installation and use of the server. Installation and maintenance should be performed by certified service technicians only.

Please refer to the SYS-121C-TN10R server specifications page on our website for updates on supported memory, processors and operating systems (<https://www.supermicro.com>).

Notes

For your system to work properly, please follow the links below to download all necessary drivers/utilities and the user's manual for your server.

- Supermicro product manuals: <https://www.supermicro.com/support/manuals/>
- Product drivers and utilities: <https://www.supermicro.com/wdl>
- Product safety info: https://www.supermicro.com/about/policies/safety_information.cfm

If you have any questions, please contact our support team at: support@supermicro.com

This manual may be periodically updated without notice. Please check the Supermicro website for possible updates to the manual revision level.

Warnings

Special attention should be given to the following symbols used in this manual.



Warning! Indicates important information given to prevent equipment/property damage or personal injury.



Warning! Indicates high voltage may be encountered when performing a procedure.



Warning! Indicates hazardous moving parts may be encountered while handling a fan or components near a fan.

Contents

Chapter 1 Introduction

| | |
|----------------------------------|----|
| 1.1 Overview..... | 9 |
| Network Connection Options | 9 |
| 1.2 System Features | 10 |
| Front View | 10 |
| Drive Carrier Indicators..... | 10 |
| Control Panel | 11 |
| Rear View..... | 12 |
| Power Supply Indicator..... | 13 |
| Top View..... | 14 |
| 1.3 System Architecture | 15 |
| 1.4 Motherboard Layout | 16 |
| Quick Reference | 17 |
| Motherboard Block Diagram | 19 |
| System Block Diagram..... | 20 |

Chapter 2 Server Installation

| | |
|---|----|
| 2.1 Overview..... | 21 |
| 2.2 Unpacking the System | 21 |
| 2.3 Preparing for Setup | 21 |
| Choosing a Setup Location..... | 21 |
| Rack Precautions | 22 |
| Server Precautions..... | 22 |
| Rack Mounting Considerations | 22 |
| Ambient Operating Temperature..... | 23 |
| Airflow | 23 |
| Mechanical Loading..... | 23 |
| Circuit Overloading | 23 |
| Reliable Ground..... | 23 |
| 2.4 Installing the Rails | 24 |
| Identifying the Rails..... | 24 |
| Installing the Outer Rails onto the Rack..... | 25 |
| 2.5 Installing the Chassis into a Rack..... | 26 |
| Removing the Chassis from the Rack | 27 |

| | |
|---|----|
| Installing the Server into a Telco Rack | 28 |
| Chapter 3 Maintenance and Component Installation | |
| 3.1 Removing Power | 29 |
| 3.2 Accessing the System..... | 30 |
| 3.3 Processor and Heatsink | 31 |
| Processor Overview | 31 |
| Installation Overview | 32 |
| Installation Procedure Overview..... | 32 |
| Assembling the Processor Carrier Assembly..... | 33 |
| Assembling the Processor Heatsink Module | 37 |
| Removing the Socket Cover | 39 |
| Installing the PHM..... | 40 |
| Removing the PHM..... | 43 |
| Removing the Carrier Assembly from the Heatsink | 45 |
| Removing the Processor from the Carrier Assembly | 46 |
| 3.4 Memory..... | 47 |
| Memory Support..... | 47 |
| Memory Population Guidelines | 49 |
| Guidelines Regarding Mixing DIMMs | 49 |
| DIMM Construction | 49 |
| Memory Population Sequence | 49 |
| Installing Memory | 50 |
| 3.5 Motherboard Battery..... | 51 |
| 3.6 Storage Drives..... | 52 |
| Installing Drives..... | 52 |
| Installing M.2 Solid State Drives..... | 54 |
| Hot-Swap for NVMe Drives..... | 55 |
| Checking the Temperature of an NVMe Drive | 56 |
| 3.7 System Cooling | 57 |
| Fans | 57 |
| Air Shrouds | 58 |
| 3.8 Power Supply | 59 |
| Power Supply LEDs..... | 59 |
| 3.9 AIOM Cards..... | 60 |
| 3.10 PCIe Expansion Cards | 61 |

| | |
|--|----|
| PCIe Bifurcation Settings | 63 |
| 3.11 Cable Routing | 64 |
| Chapter 4 Motherboard Connections | |
| 4.1 Power Connections | 67 |
| 4.2 Headers and Connectors | 68 |
| Control Panel | 71 |
| 4.3 Input/Output Ports | 73 |
| 4.4 Jumpers | 74 |
| 4.5 LED Indicators | 75 |
| Chapter 5 Software | |
| 5.1 Microsoft Windows OS Installation | 76 |
| 5.2 Driver Installation | 78 |
| 5.3 BMC | 79 |
| BMC ADMIN User Password | 79 |
| Chapter 6 Optional Components | |
| 6.1 Storage Control Cards | 80 |
| Storage Protocols Supported | 80 |
| 6.2 GPU Support | 81 |
| 6.3 Cable Management Arm | 81 |
| 6.4 TPM Security Module | 83 |
| 6.5 Intel Virtual RAID on CPU (VROC) | 84 |
| Requirements and Restrictions | 84 |
| Supported SSDs and Operating Systems | 84 |
| Additional Information | 85 |
| Hardware Key | 85 |
| Configuring Intel VMD | 86 |
| Configuring VMD Manually | 86 |
| Creating NVMe RAID Configurations | 90 |
| Status Indications | 91 |
| Hot-Swap Drives | 91 |
| Hot-unplug | 91 |
| Hot-plug | 91 |
| Related Information Links | 91 |
| Chapter 7 Troubleshooting and Support | |
| 7.1 Information Resources | 92 |

| | |
|--|-----|
| Website | 92 |
| Direct Links for the SYS-121C-TN10R System..... | 92 |
| Direct Links for General Support and Information | 92 |
| 7.2 BMC Interface | 93 |
| 7.3 Troubleshooting Procedures | 94 |
| General Technique | 94 |
| No Power | 94 |
| No Video | 95 |
| System Boot Failure | 95 |
| Memory Errors | 95 |
| Losing the System Setup Configuration | 95 |
| When the System Becomes Unstable | 95 |
| 7.4 BIOS Error Beep (POST) Codes | 97 |
| Additional BIOS POST Codes | 97 |
| 7.5 Crash Dump Using the BMC Dashboard..... | 98 |
| 7.6 UEFI BIOS Recovery | 99 |
| Overview | 99 |
| Recovering the UEFI BIOS Image..... | 99 |
| Recovering the Main BIOS Block with a USB Device | 99 |
| 7.7 CMOS Clear | 104 |
| 7.8 BMC Reset..... | 104 |
| 7.9 Where to Get Replacement Components | 105 |
| 7.10 Reporting an Issue..... | 105 |
| Technical Support Procedures | 105 |
| Returning Merchandise for Service..... | 105 |
| Vendor Support Filing System | 106 |
| 7.11 Feedback..... | 106 |
| 7.12 Contacting Supermicro..... | 107 |
| Appendix A Standardized Warning Statements for AC Systems | |
| Appendix B System Specifications | |
| BSMI RoHS Statement | 134 |
| Statement of Volatility | 138 |

Contacting Supermicro

Headquarters

Address: Super Micro Computer, Inc.
980 Rock Ave.
San Jose, CA 95131 U.S.A.

Tel: +1 (408) 503-8000

Fax: +1 (408) 503-8008

Email: marketing@supermicro.com (General Information)
Sales-USA@supermicro.com (Sales Inquiries)
Government_Sales-USA@supermicro.com (Gov. Sales Inquiries)
support@supermicro.com (Technical Support)
RMA@supermicro.com (RMA Support)
Webmaster@supermicro.com (Webmaster)

Website: <https://www.supermicro.com>

Europe

Address: Super Micro Computer B.V.
Het Sterrenbeeld 28, 5215 ML
's-Hertogenbosch, The Netherlands

Tel: +31 (0) 73-6400390

Fax: +31 (0) 73-6416525

Email: Sales_Europe@supermicro.com (Sales Inquiries)
Support_Europe@supermicro.com (Technical Support)
RMA_Europe@supermicro.com (RMA Support)

Website: <https://www.supermicro.nl>

Asia-Pacific

Address: Super Micro Computer, Inc.
3F, No. 150, Jian 1st Rd.
Zhonghe Dist., New Taipei City 235
Taiwan (R.O.C)

Tel: +886-(2) 8226-3990

Fax: +886-(2) 8226-3992

Email: Sales-Asia@supermicro.com.tw (Sales Inquiries)
Support@supermicro.com.tw (Technical Support)
RMA@supermicro.com.tw (RMA Support)

Website: <https://www.supermicro.com.tw>

Chapter 1

Introduction

1.1 Overview

This chapter provides an outline of the functions and features of the SuperServer SYS-121C-TN10R. The following provides an overview of the specifications and capabilities.

| System Overview | |
|------------------------|---|
| Motherboard | X13DDW-A |
| Chassis | CSE-LB16TS-R0AWN3 |
| Processors | Dual 4th and 5th Gen Intel Xeon Scalable processors in E (LGA-4677) sockets with four UPIs (16 GT/s max.) and a Thermal Design Power (TDP) of up to 270 W (Support conditions apply to certain CPUs.) |
| Memory | Supports up to 4 TB 3DS RDIMM/RDIMM DDR5 ECC memory - 4th Gen: speeds of up to 4800 MT/s in 16 slots - 5th Gen: speeds of up to 5600 MT/s in 16 slots |
| Storage | Ten 2.5-inch front drive bays (NVMe/SAS/SATA—additional parts needed for some types) Two M.2 NVMe SSDs |
| Expansion Slots | Two PCIe 5.0 x16 full-height, half-length (see Section 3.10 for details) |
| I/O Ports | Two AIOM network modules, PCIe 5.0 x16 (OCP 3.0 NIC) One dedicated BMC LAN port (rear) Two USB 3.0 ports (rear) Two USB 2.0 ports (front) One VGA port (rear) One serial port (rear) |
| System Cooling | Six counter-rotating fans w/ Optimal Fan Speed Control Two air shrouds |
| Power | Two redundant power supplies, default is 860 W, 80Plus Titanium level (<i>Optional</i>) 1200 W, 80Plus Titanium |
| Form Factor | 1U; 17.2" x 1.7" x 23.5" (depth) (43.7 x 4.3 x 60 cm) |

A Quick Reference Guide can be found on the following page of the Supermicro website: <https://www.supermicro.com/en/products/system/Cloud/1U/SYS-121C-TN10R>.

The following safety models associated with the SYS-121C-TN10R have been certified as compliant with UL and CSA: LB16CDC-R8X13, LB16CDC-R12X13, LB16-8, LB16-12.

Network Connection Options

The system accepts many different advanced input/output modules (AIOMs) that provide network connectivity. It supports OCP 3.0 specifications using PCIe Gen 5.0 x16. Options include RJ45, SFP+, OSFP, etc. at 1/10/25/100/200 GbE capabilities, with two or four ports per module, up to two modules. See the product page above for the current options. At <https://www.supermicro.com>, search for the product by model number.

1.2 System Features

The following views of the system display the main features. Refer to Appendix B for additional specifications.

Front View



Figure 1-1. Front View

| Logical Storage Drive Numbers | |
|-------------------------------|--|
| Item | Description |
| 0 | 2.5-inch front drive bay (NVMe**/SAS/SATA)* (see limitation below) |
| 1–9 | 2.5-inch front drive bays (NVMe/SAS/SATA)* |

* Additional parts needed depending on drive type; see the optional parts list

**Following Intel documentation 648608, if using four UPI processors in the server, there is a limitation on PE3 relating to support for PCIe Gen5. For such configurations, the NVMe device in bay #0 is limited to PCIe 4.0.

Drive Carrier Indicators

Each drive carrier has two LED indicators: an activity indicator and a status indicator. For RAID configurations using a controller, the meaning of the status indicator is described in the table below. For OS RAID or non-RAID configurations, some LED indications are not supported, such as hot spare. For VROC configurations, refer to Section 6.5 in this manual.

| Drive Carrier LED Indicators | | | |
|------------------------------|-------|---|---------------------------------------|
| | Color | Blinking Pattern | Behavior for Device |
| Activity LED | Blue | Solid On | Idle SAS/NVMe drive installed |
| | Blue | Blinking | I/O activity |
| | Off | | Idle SATA drive installed |
| Status LED | Red | Solid On | Failure of drive with RSTe support |
| | Red | Blinking at 1 Hz | Rebuild drive with RSTe support |
| | Red | Blinking with two blinks and one stop at 1 Hz | Hot spare for drive with RSTe support |
| | Red | On for five seconds, then off | Power on for drive with RSTe support |
| | Red | Blinking at 4 Hz | Identify drive with RSTe support |
| | Green | Solid on | Safe to remove NVMe drive |
| | Amber | Blinking at 1 Hz | Do not remove NVMe drive |

Control Panel

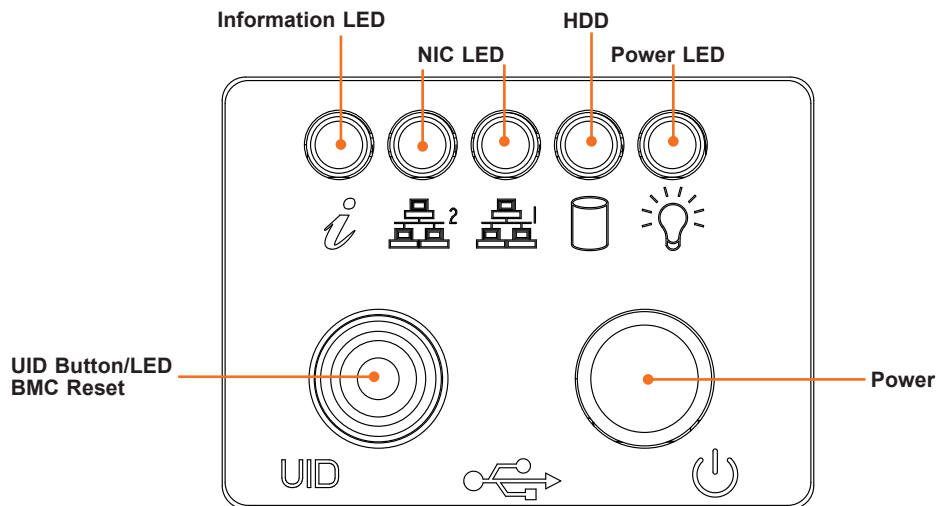


Figure 1-2. Control Panel

| Control Panel Features | |
|------------------------------|---|
| Feature | Description |
| UID button/LED BMC button | The unit identification (UID) button turns on or off the blue light function of the Information LED and a blue LED on the rear of the chassis. This button can also be used to reset the BMC; for details, refer to Section 7.8 in this manual. |
| Information LED | Alerts operator to several states, as noted in the table below. |
| NIC LEDs | Indicates network activity on AIOMs when flashing. NIC LED 1 for odd ports and NIC LED 2 for even ports on both AIOM slots. |
| HDD | Indicates activity on the storage drives when flashing. |
| Power LED | Steady on – Power on Blinking at 4 Hz – Checking BIOS/BMC integrity Blinking at 4 Hz and "i" LED is blue – BIOS firmware updating Two blinks at 4 Hz, one pause 2 Hz and "i" LED blue – BMC firmware updating Blinking at 1 Hz and "i" LED red – Fault detected |
| Power button | The main power switch applies or removes primary power from the power supply to the server but maintains standby power. |

| Information LED | |
|---|---|
| Color, Status | Description |
| Red, solid | An overheating condition has occurred |
| Red, blinking at 1 Hz | Fan failure, check for an inoperative fan |
| Red, blinking at 0.25 Hz | Power failure, check for a non-operational power supply |
| Red, blinking at 10 Hz | CPLD recovery mode error |
| Blue, solid | Unit ID has been activated by switch |
| Blue, blinking at 1 Hz | Unit ID has been activated using the BMC |
| Blue, blinking at 2 Hz, and BMC Heartbeat LED on the motherboard is green | BMC is resetting |

(Table continued on next page)

| Information LED | |
|--|--|
| Color, Status | Description |
| Blue, blinking at 4 Hz | BMC is setting factory defaults |
| Blue, blinking at 10 Hz | BIOS/BMC is recovering or updating |
| Red, blinking at 10 Hz and the rear UID LED is blue, blinking at 10 Hz | CPLD recovery or update is in progress |

Rear View

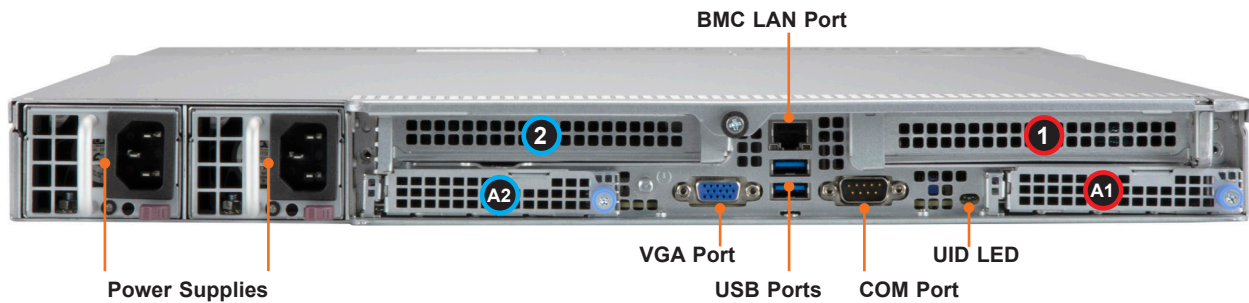


Figure 1-3. System: Rear View

| System Features: Rear | |
|-----------------------|---|
| Feature | Description |
| Power Supplies | Two redundant power supply modules |
| VGA Port | Video port |
| USB Ports | Two USB 3.0 ports |
| BMC LAN Port | Dedicated port to access the BMC; for indicator details, refer to Section 4.5 in this manual. |
| COM Port | Serial port |
| UID LED | Unit identifier indicator light |

| Add-on Card Slots | |
|-------------------|--|
| Item | Description |
| 1 | PCIe 5.0 x16 slot: full-height, half-length (CPU1) |
| 2 | PCIe 5.0 x16 slot: full-height, half-length (CPU2) |
| A1 | PCIe 5.0 x16 OCP 3.0 AIOM slot (CPU1) |
| A2 | PCIe 5.0 x16 OCP 3.0 AIOM slot (CPU2) |

Power Supply Indicator

| Power Supply Indicator | |
|-------------------------------|---|
| LED Color and State | Power Supply Condition |
| Solid Green | Indicates that the power supply is on and working |
| Solid Amber | Indicates system is off (in S5 state) or power supply failure has occurred. For the latter case, the system might need servicing. Contact Supermicro technical support. |
| Off | No AC power to modules |

Top View

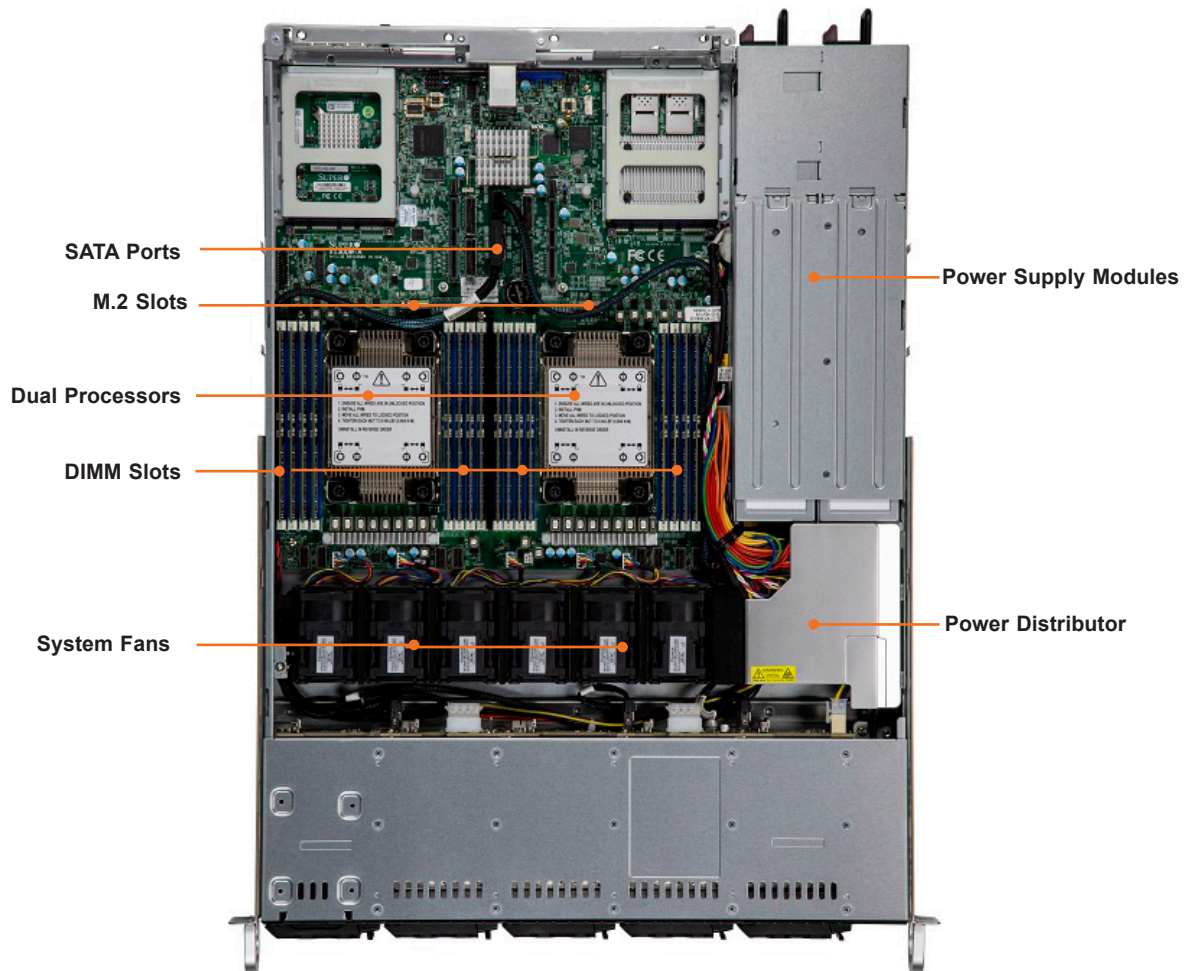


Figure 1-4. System: Top View

| System Features: Top | |
|----------------------|---|
| Feature | Description |
| SATA Ports | Two SATA ports for up to 12 onboard SATA drives |
| M.2 Slots | Two slots for PCIe 5.0 x4 M.2 NVMe (both CPU1) |
| Power Supplies | Dual redundant modules |
| Processors | Dual 4th and 5th Gen Intel Xeon Scalable with heatsinks |
| DIMM Slots | Sixteen memory slots |
| System Fans | Six 4-cm counter-rotating fans with Optimal Fan Speed Control |

1.3 System Architecture

This section shows the locations of the main components of the system.

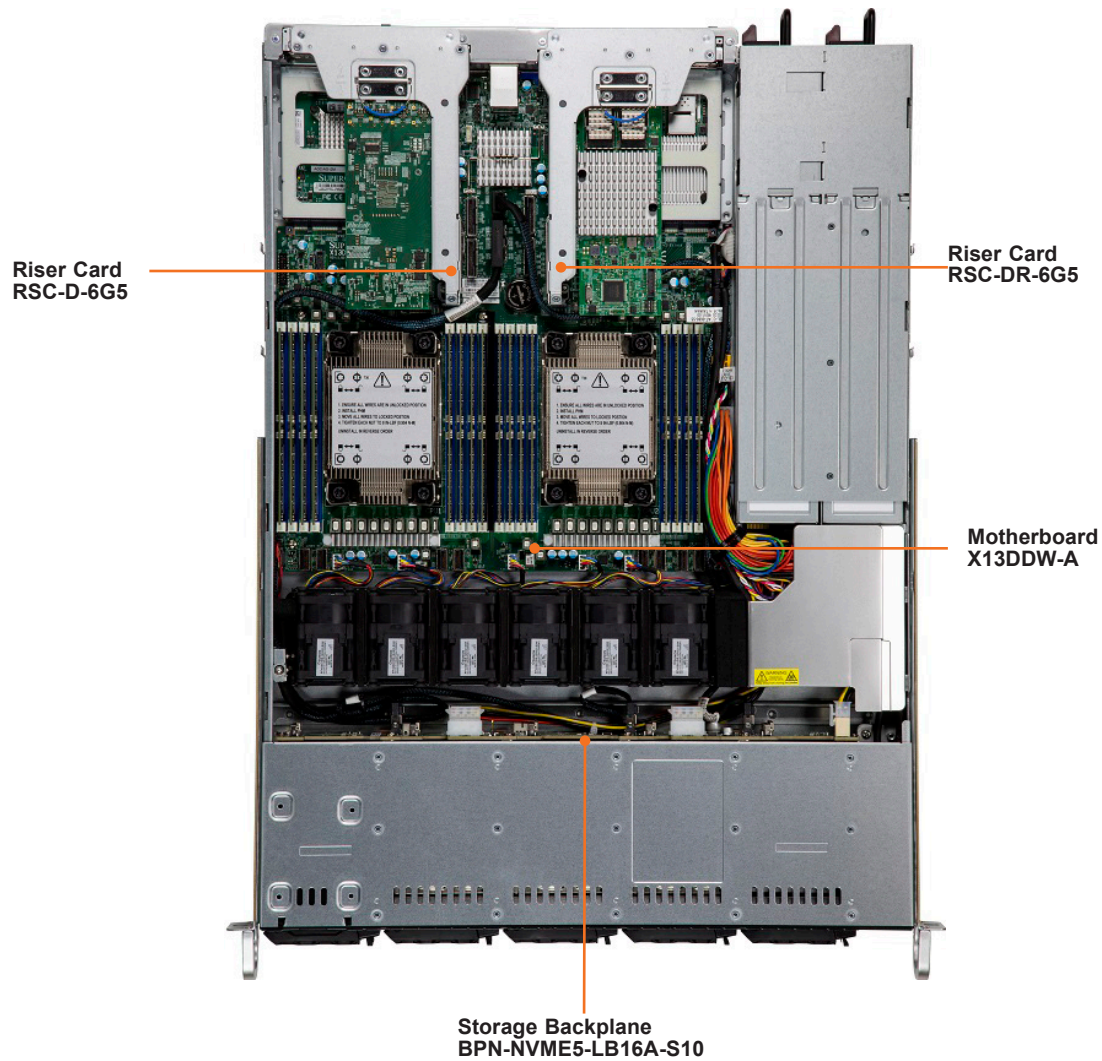


Figure 1-5. Main Component Locations

1.4 Motherboard Layout

Below is a layout of the X13DDW-A motherboard with jumper, connector and LED locations shown. See the table on the following page for descriptions. For detailed descriptions, pinout information and jumper settings, refer to Chapter 4 in this manual or to the motherboard manual at the following URL: <https://www.supermicro.com/en/products/motherboard/X13DDW-A>.

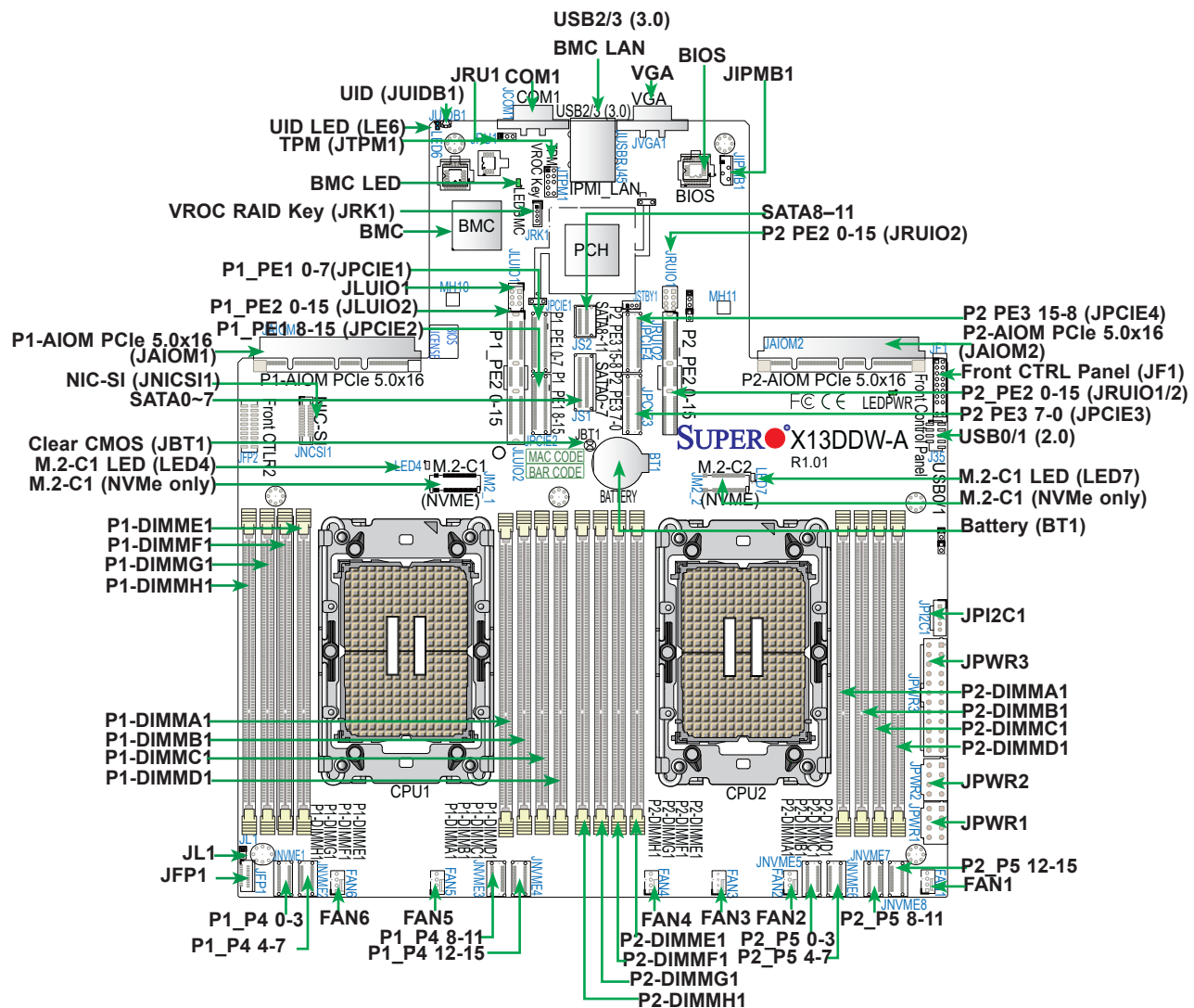


Figure 1-7. Motherboard Layout

Quick Reference

| Jumper | Description | Default Setting |
|--------|-------------------------------------|--------------------------|
| JBT1 | CMOS Clear | Open (Normal) |
| JRU1 | Front Power Signal/Front UID Select | Pins 2–3 (Front UID Use) |

| Connector | Description |
|-------------------------------|---|
| Battery (BT1) | Onboard battery |
| COM1 (JCOM1) | COM Port 1 on the rear I/O panel |
| FAN1–6 | 4-pin cooling fan headers (FAN1–FAN 6) |
| IPMI_LAN (JUSBRJ45) | BMC LAN connector on the rear I/O panel |
| JF1 | Front Control Panel header |
| JFP1 | Front Control Panel header1 (not used in this system) |
| JIPMB1 | 4-pin BMC SMBus header |
| JL1 | Chassis Intrusion header |
| JNCSI1 | NC-SI (Network Controller Sideband Interface) connector (See the note below) |
| JPWR1/JPWR2 | 8-pin power connectors |
| JPWR3 | 24-pin power connector |
| JRK1 (VROC RAID Key) | Intel VROC RAID key header for NVMe RAID support |
| JSTBY1 | 5 V Standby power header |
| JTPM1 | Trusted Platform Module/Port 80 connector |
| JUIDB1 | Unit Identifier (UID) switch/button |
| M.2-C1/M.2-C2 (JM2_1/JM2_2) | M.2 slots for NVMe use only (with support of M-Key 2280) |
| MH10/MH11 | Mounting holes for M.2 SSDs (MH10: for M.2-C1, MH11 for M.2-C2) |
| P1-AIOM PCIe 5.0 x16 (JAIOM1) | SMCI Advanced Input/Output Module (AIOM) PCIe 5.0 x 16 rear I/O connector supported by CPU1 |
| P2-AIOM PCIe 5.0 x16 (JAIOM2) | SMCI Advanced Input/Output Module (AIOM) PCIe 5.0 x 16 rear I/O connector supported by CPU2 |
| P1_PE2 0-15 (JLUIO1/JLUIO2) | PCIe 5.0 x16 left add-on card slot supported by CPU1 |
| P2_PE2 0-15 (JRUIO1/JRUIO2) | PCIe 5.0 x16 right add-on card slot supported by CPU2 |
| P1_PE1 0-7 (JPCIE1) | PCIe 5.0 x8 MCIO connector supported by CPU1 |
| P1_PE1 8-15(JPCIE2) | PCIe 5.0 x8 MCIO connector supported by CPU1 |
| P2_PE3 7-0 (JPCIE3) | PCIe 5.0 x8 MCIO connector supported by CPU2 |
| P2_PE3 15-8 (JPCIE4) | PCIe 5.0 x8 MCIO connector supported by CPU2 |
| P1_PE4 0-3 (JNVME1) | PCIe 5.0 x4 MCIO connector used for NVMe devices supported by CPU1 (See Note 1 below.) |
| P1_PE4 4-7 (JNVME2) | PCIe 5.0 x4 MCIO connector used for NVMe devices supported by CPU1 (See Note 1 below.) |
| P1_PE4 8-11 (JNVME3) | PCIe 5.0 x4 MCIO connector used for NVMe devices supported by CPU1 (See Note 1 below.) |
| P1_PE4 12-15 (JNVME4) | PCIe 5.0 x4 MCIO connector used for NVMe devices supported by CPU1 (See Note 1 below.) |
| P2_PE5 0-3 (JNVME5) | PCIe 5.0 x4 MCIO connector used for NVMe devices supported by CPU2 (See Note 1 below.) |
| P2_PE5 4-7 (JNVME6) | PCIe 5.0 x4 MCIO connector used for NVMe devices supported by CPU2 (See Note 1 below.) |

| Connector | Description |
|------------------------------|--|
| P2_PE5 8-11 (JNVME7) | PCIe 5.0 x4 MCIO connector used for NVMe devices supported by CPU2 (See Note 1 below.) |
| P2_PE5 12-15 (JNVME8) | PCIe 5.0 x4 MCIO connector used for NVMe devices supported by CPU2 (Note 1) |
| PWR I2C (JPI2C1) | Power I ² C SMBus (System Management Bus) header |
| SATA 0–7 (JS1) | SATA 0–7 ports supported by PCH |
| SATA 8–11 (JS2) | SATA 8–11 ports supported by PCH |
| USB 0/1 (USB 2.0) (J35) | USB 2.0 header with support of USB Port1/USB Port2 |
| USB 2/3 (USB 3.0) (JUSBRJ45) | Rear USB 3.0 connector with support for two USB 3.0 connections (USB Port2/USB Port3) |
| VGA (JVGA1) | Rear VGA connector |

| LED | Description | State: Status |
|----------------|---------------------------|--|
| LED6 (UID-LED) | Unit Identifier (UID) LED | Solid Blue: Unit Identified |
| LED4 | M.2-C1 LED | On: M.2-C1 Active |
| LED7 | M.2-C2 LED | On: M.2-C2 Active |
| LEDBMC | BMC Heartbeat LED | Blinking Green: BMC Normal (Active) Solid Green: (During BMC Reset or during a Cold Reboot) |
| LEDPWR | Power LED | LED On: Onboard Power On |

Motherboard Block Diagram

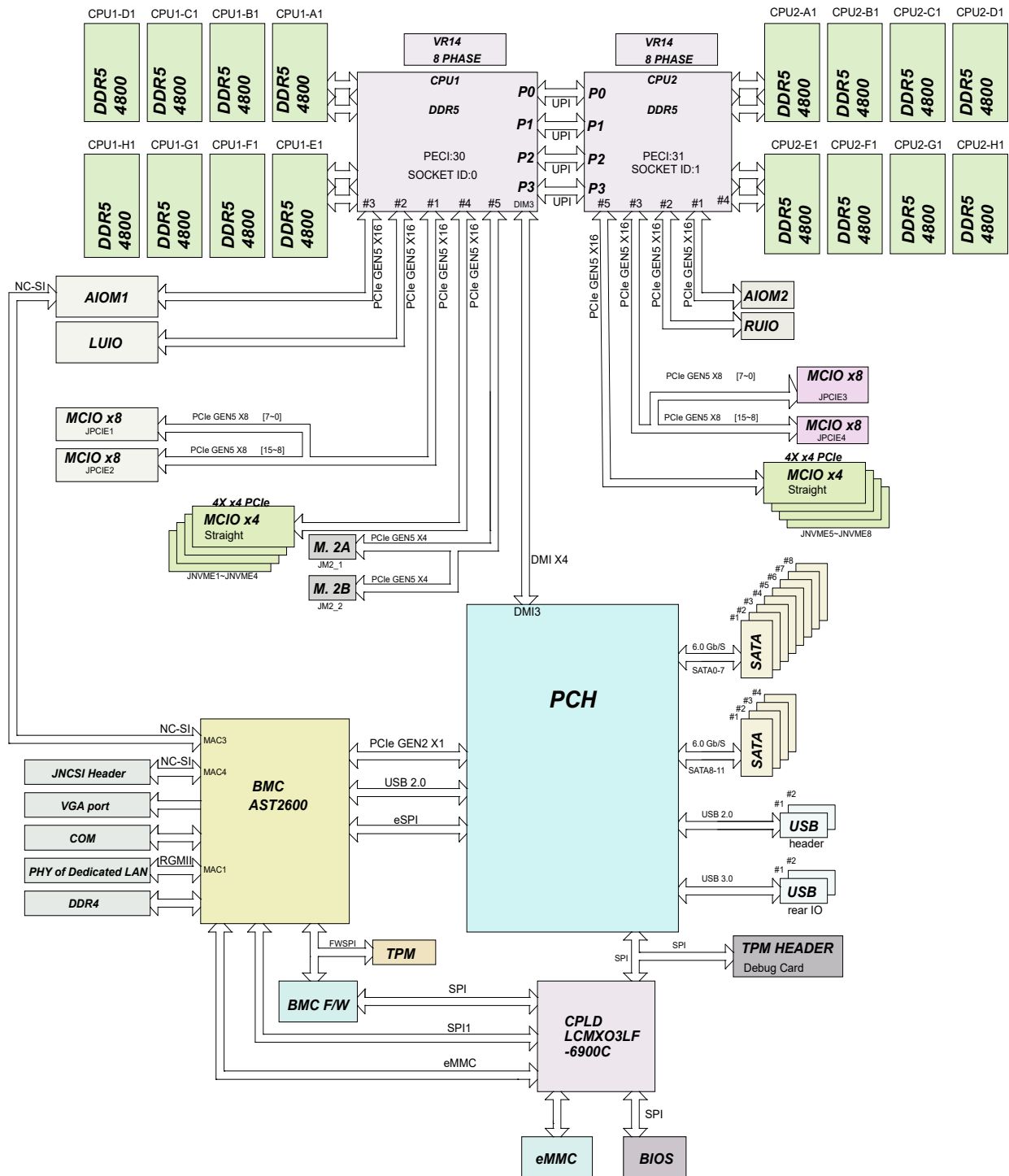


Figure 1-8. Motherboard Block Diagram

System Block Diagram

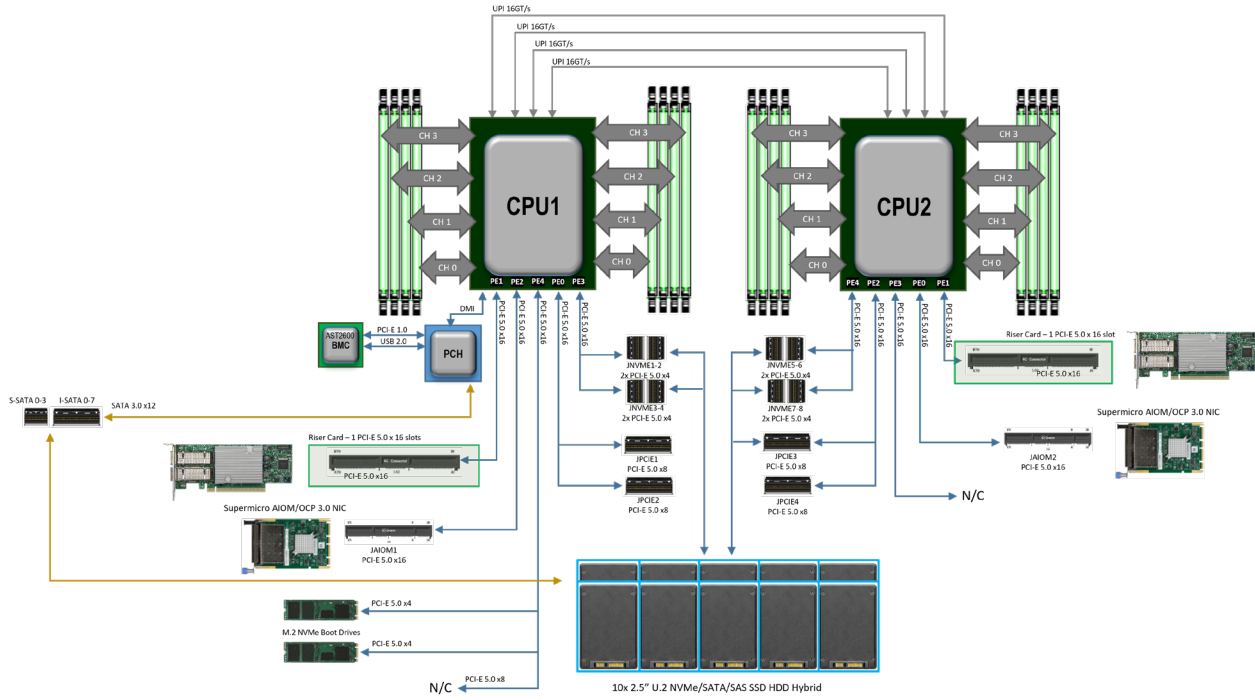


Figure 1-9. System Block Diagram

Chapter 2

Server Installation

2.1 Overview

This chapter provides advice and instructions for mounting your system in a server rack. If your system is not already fully integrated with processors, system memory etc., refer to Chapter 3 of this manual for details on installing those specific components.

Caution: Electrostatic Discharge (ESD) can damage electronic components. To prevent such damage to PCBs (printed circuit boards), it is important to use a grounded wrist strap, handle all PCBs by their edges and keep them in anti-static bags when not in use.

2.2 Unpacking the System

Inspect the box in which the system was shipped, and note if it was damaged. If any equipment appears damaged, file a claim with the carrier.

Decide on a suitable location for the rack unit that will hold the server. It should be situated in a clean, dust-free area that is well ventilated. Avoid areas where heat, electrical noise and electromagnetic fields are generated. It will also require a grounded AC power outlet nearby. Be sure to read the precautions and considerations noted in Appendix A of this manual.

2.3 Preparing for Setup

The box in which the system was shipped should include the rackmount hardware needed to install it into the rack. Please read this section in its entirety before you begin the installation.

Choosing a Setup Location

- The system should be situated in a clean, dust-free area that is well ventilated. Avoid areas where heat, electrical noise and electromagnetic fields are generated.
- Leave enough clearance in front of the rack so that you can open the front door completely (~25 inches) and approximately 30 inches of clearance in the back of the rack to allow sufficient space for airflow and access when servicing.
- This product should be installed only in a Restricted Access Location (dedicated equipment rooms, service closets, etc.).
- This product is not suitable for use with visual display workplace devices according to §2 of the German Ordinance for Work with Visual Display Units.

Rack Precautions

- Ensure that the leveling jacks on the bottom of the rack are extended to the floor so that the full weight of the rack rests on them.
- In single rack installations, stabilizers should be attached to the rack. In multiple rack installations, the racks should be coupled together.
- Always make sure the rack is stable before extending a server or other component from the rack.
- You should extend only one server or component at a time - extending two or more simultaneously may cause the rack to become unstable.

Server Precautions

- Review the electrical and general safety precautions in Appendix A of this manual.
- Determine the placement of each component in the rack *before* you install the rails.
- Install the heaviest server components at the bottom of the rack first and then work your way up.
- Use a regulating uninterruptible power supply (UPS) to protect the server from power surges and voltage spikes and to keep your system operating in case of a power failure.
- Allow any drives and power supply modules to cool before touching them.
- When not servicing, always keep the front door of the rack and all covers/panels on the servers closed to maintain proper cooling.

Rack Mounting Considerations

Important! To prevent bodily injury when mounting or servicing this unit in a rack, you must take special precautions to ensure that the system remains stable. The following guidelines are provided to ensure your safety:

- This unit should be mounted at the bottom of the rack if it is the only unit in the rack.
- When mounting this unit in a partially filled rack, load the rack from the bottom to the top with the heaviest component at the bottom of the rack.
- If the rack is provided with stabilizing devices, install the stabilizers before mounting or servicing the unit in the rack.
- Slide rail mounted equipment is not to be used as a shelf or a work space.

Warning!

Stability hazard. The rack may tip over causing serious personal injury. Before extending the rack to the installation position, read the installation instructions. Do not put any load on the slide-rail mounted equipment in the installation position. Do not leave the slide-rail mounted equipment in the installation position..

Avertissement!

Danger d'instabilité. Le rack peut basculer et provoquer des blessures corporelles graves. Avant d'étendre le rack en position d'installation, lire les instructions d'installation. Ne pas charger l'équipement monté sur rail de glissière en position d'installation.

Ambient Operating Temperature

If installed in a closed or multi-unit rack assembly, the ambient operating temperature of the rack environment may be greater than the room's ambient temperature. Therefore, consideration should be given to installing the equipment in an environment compatible with the manufacturer's maximum rated ambient temperature (TMRA).

Airflow

Equipment should be mounted into a rack so that the amount of airflow required for safe operation is not compromised.

Mechanical Loading

Equipment should be mounted into a rack so that a hazardous condition does not arise due to uneven mechanical loading.

Circuit Overloading

Consideration should be given to the connection of the equipment to the power supply circuitry and the effect that any possible overloading of circuits might have on overcurrent protection and power supply wiring. Appropriate consideration of equipment nameplate ratings should be used when addressing this concern.

Reliable Ground

A reliable ground must be maintained at all times. To ensure this, the rack itself should be grounded. Particular attention should be given to power supply connections other than the direct connections to the branch circuit (i.e. the use of power strips, etc.).

2.4 Installing the Rails

There are a variety of rack units on the market, which may require a slightly different assembly procedure. This rail set fits a rack between 25.6" and 33" deep.

The following is a basic guideline for installing the system into a rack with the rack mounting hardware provided. You should also refer to the installation instructions that came with the specific rack you are using.

If you are installing into a two-post "telco" rack, skip to that section later in this chapter.

Identifying the Rails

The chassis comes with two sets of rack rails, one set for the right side of the chassis and one for the left. Each set consists of an inner rail that is pre-attached to the chassis, an outer rail that attaches to the rack, and a middle rail that slides forward in the outer rail.

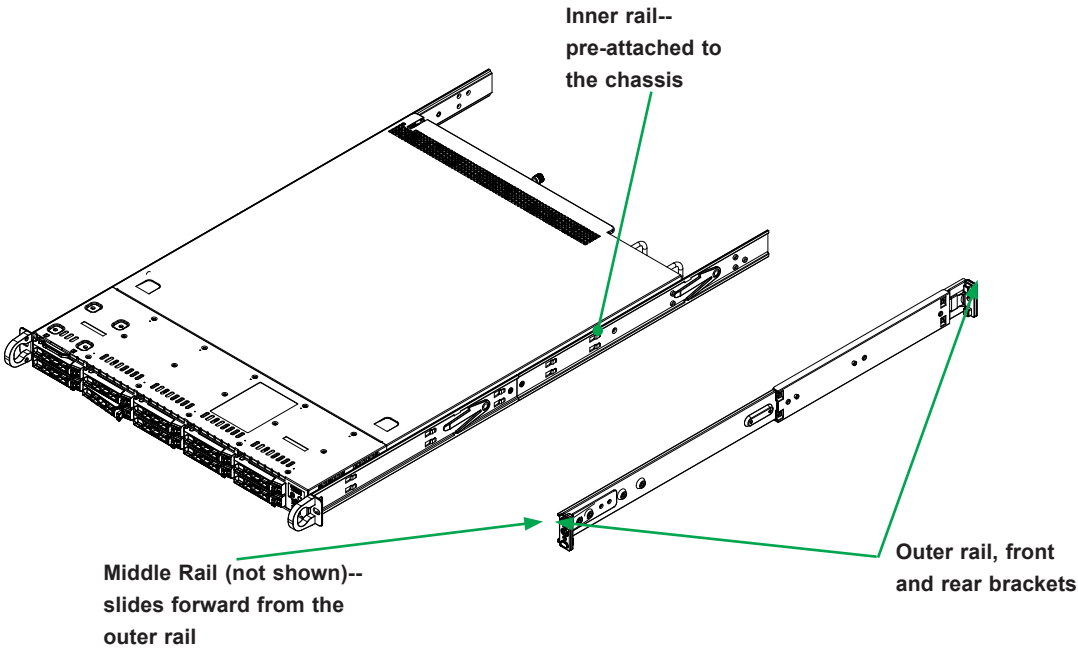


Figure 2-1. Identifying the Sections of the Rack Rails

Installing the Outer Rails onto the Rack

Each end of the assembled outer rail includes a bracket with square pegs to fit into your rack holes. If you have an older rack with round holes, these brackets must be removed, and you must use screws to secure the rail to the rack.

Outer Rail Installation

1. Align the square pegs on the front end of the rail with the square holes on the front of the rack (C). Push the rail into the rack until the quick release bracket snaps into place, securing the rail to the rack. Keep the rail horizontal.
2. Adjust the rail to reach just past the full depth of your rack.
3. Align the square pegs on the rear end of the rail to the holes on the rack (D) and push the rail into the rack until the quick release bracket snaps into place, securing the rail to the rack.

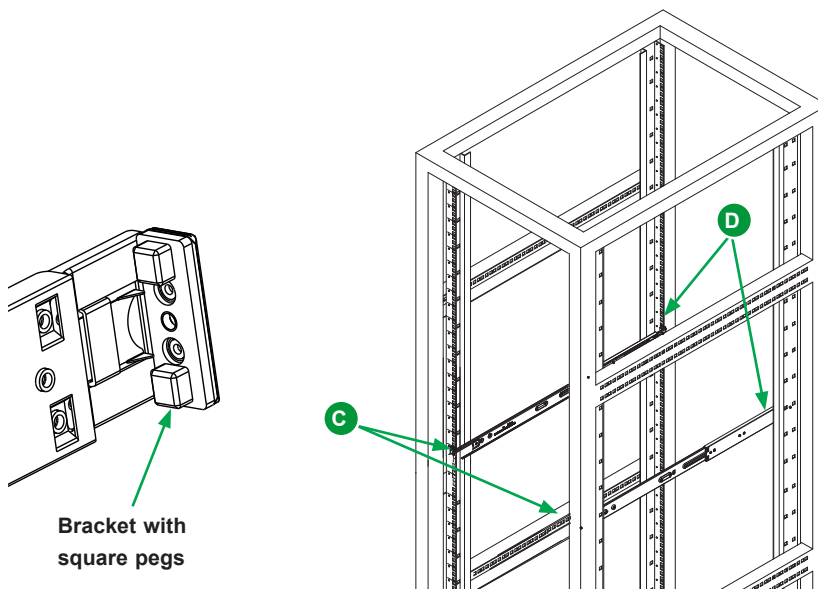


Figure 2-2. Installing the Outer Rails to the Rack

Note: The figure above is for illustrative purposes only. Always install servers at the bottom of the rack first.

2.5 Installing the Chassis into a Rack

Once rails are attached to the chassis and the rack, you can install the server.

1. Pull the middle rail out of the front of the outer rail and make sure that the ball bearing shuttle is locked at the front of the middle rail.
2. Align the rear of the chassis rails with the middle rails and then push evenly on both sides of the chassis until it clicks into the fully extended position.
3. Depress the locking tabs on both sides of the chassis and push the it fully into the rack. The locking tabs should click.
4. Thumb screws may be used to secure the front of the chassis to the rack.

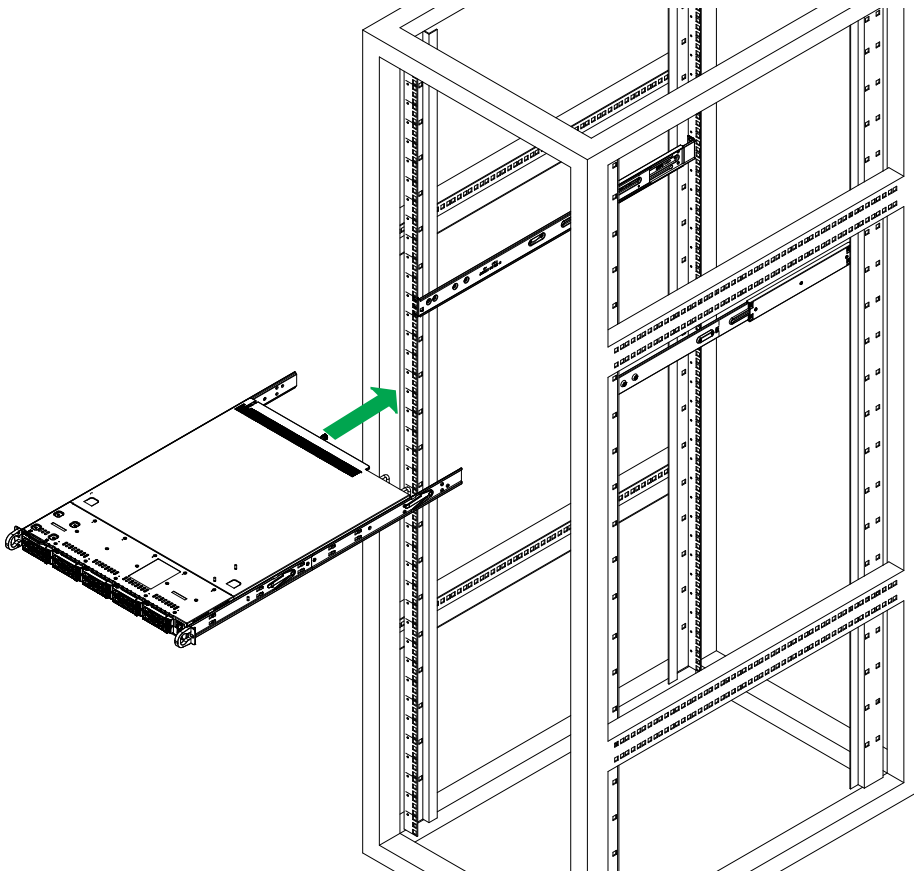


Figure 2-3. Installing the Server into the Rack

Note: Keep the ball bearing shuttle locked at the front of the middle rail during installation. Figure is for illustrative purposes only. Always install servers to the bottom of a rack first.

Removing the Chassis from the Rack

Caution! It is dangerous for a single person to off-load the heavy chassis from the rack without assistance. Be sure to have sufficient assistance supporting the chassis when removing it from the rack. Use a lift.

1. If necessary, loosen the thumb screws on the front of the chassis that hold it in the rack.
2. Pull the chassis forward out the front of the rack until it stops.
3. Press the release latches on each of the inner rails downward simultaneously and continue to pull the chassis forward and out of the rack.

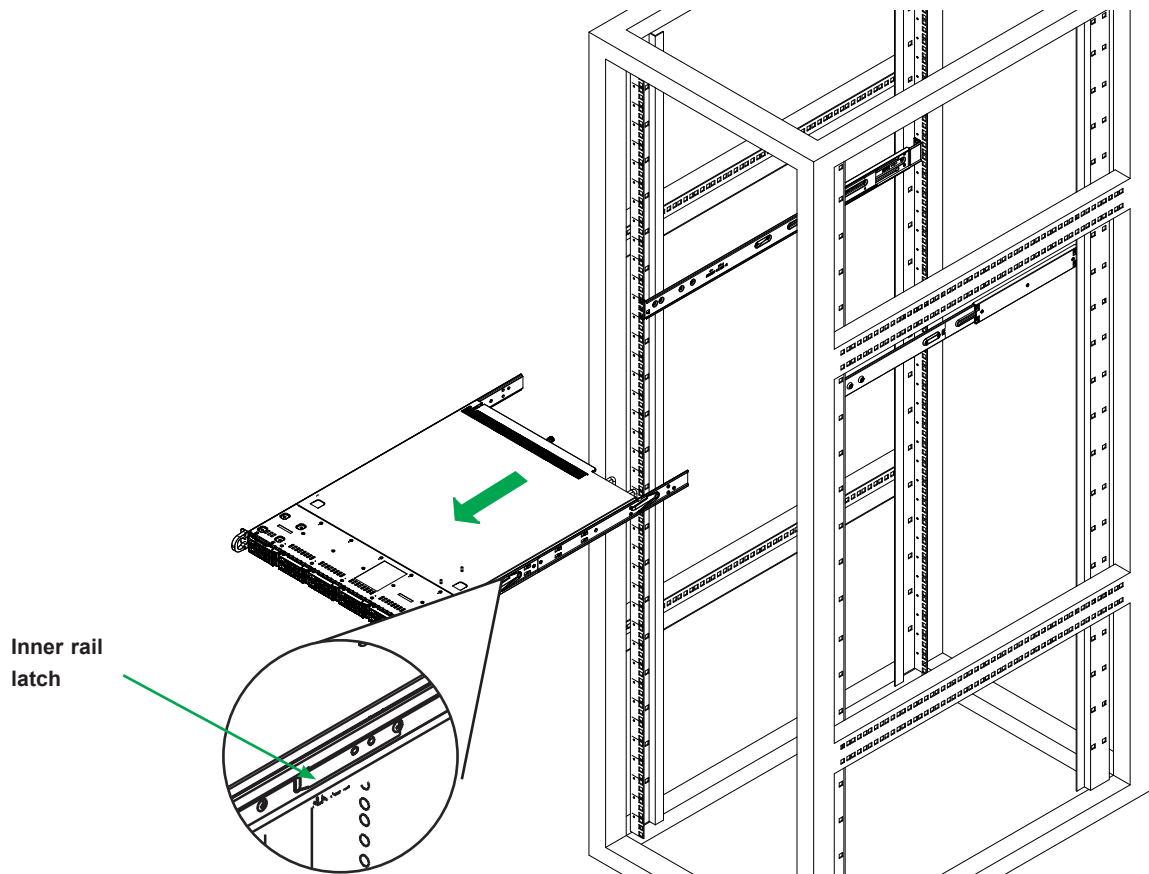


Figure 2-4. Removing the Chassis From the Rack

Installing the Server into a Telco Rack

To install the server into a Telco (or “open”) type rack, use L-shaped brackets (p/n MCP-290-00016-0N) on either side of the chassis (four total).

1. Determine how far the server will extend out from the front of the rack. The chassis should be positioned so that the weight is balanced between front and back.
2. Attach the two front brackets to each side of the chassis, then the two rear brackets positioned with just enough space to accommodate the width of the rack.
3. Finish by sliding the chassis into the rack and tightening the brackets to the rack.

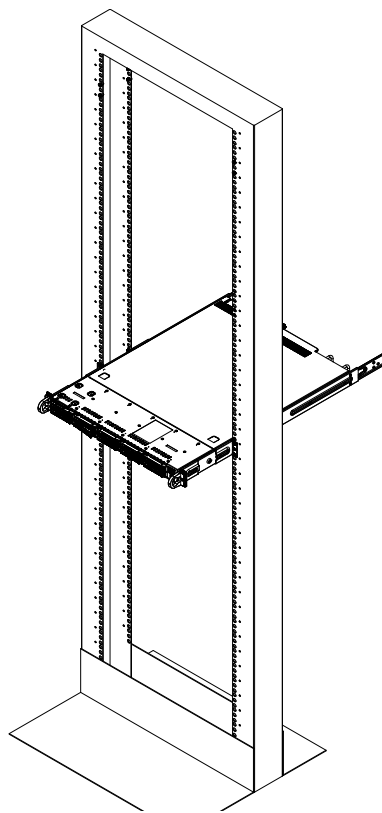


Figure 2-5. Installing the Server into a Telco Rack

Note: The figure above is for illustrative purposes only. Always install servers at the bottom of the rack first.

Chapter 3

Maintenance and Component Installation

This chapter provides instructions on installing and replacing main system components. To prevent compatibility issues, only use components that match the specifications and/or part numbers given.

Installation or replacement of most components require that power first be removed from the system. Please follow the procedures given in each section.

3.1 Removing Power

Use the following procedure to ensure that power has been removed from the system. This step is necessary when removing or installing non hot-swap components or when replacing a non-redundant power supply.

1. Use the operating system to power down the system.
2. After the system has completely shut-down, disconnect the AC power cord(s) from the power strip or outlet. (If your system has more than one power supply, remove the AC power cords from all power supply modules.)
3. Disconnect the power cord(s) from the power supply module(s).

Note: This caution statement applies when changing any component or subsystem that is not hot-swappable/hot-plug.

3.2 Accessing the System

The chassis features a removable top cover for access to the internal components.

Removing the Top Cover

1. Unscrew the thumbscrew at the rear of the cover and slide the cover toward the rear.
2. Lift the top cover up.

Check that all ventilation openings on the top cover and the top of the chassis are clear and unobstructed.

Caution: Except for short periods of time, do not operate the server without the cover in place. The chassis cover must be in place to allow for proper airflow and to prevent overheating.

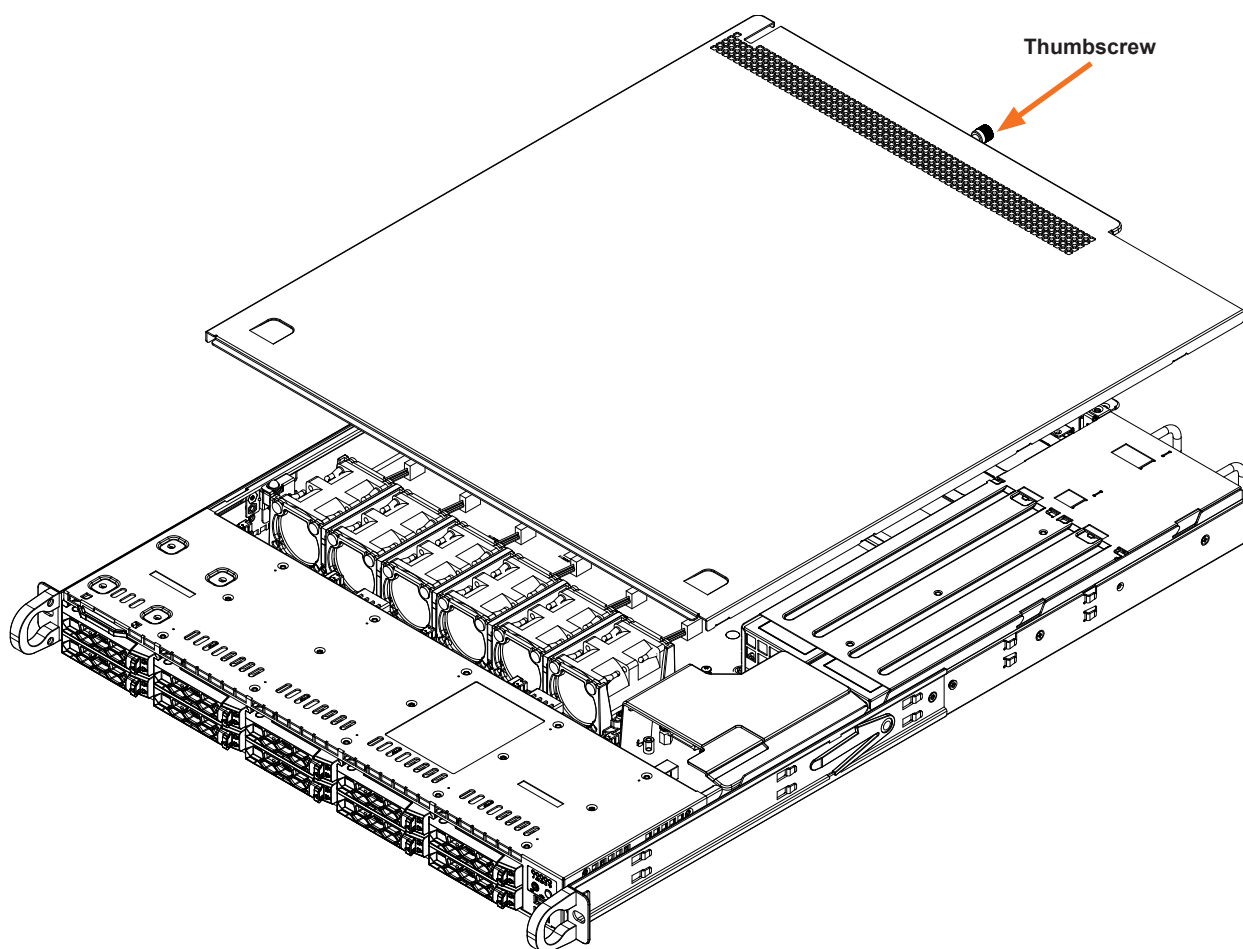
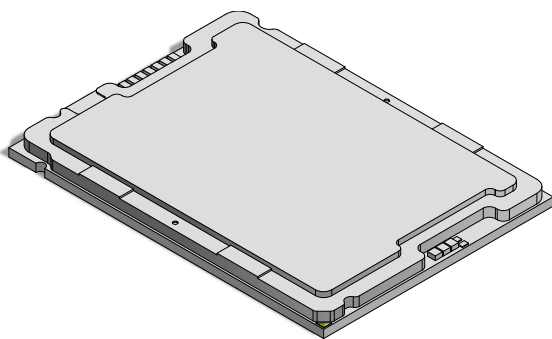


Figure 3-1. Removing the Chassis Cover

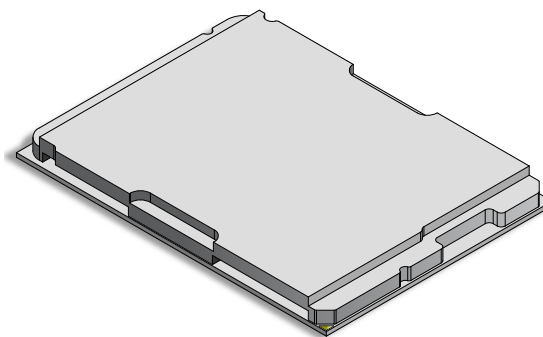
3.3 Processor and Heatsink

Processor Overview

The motherboard supports two versions of the 4th and 5th Gen Intel Xeon Scalable processors. They differ in the number of cores, and each requires a different CPU carrier. The XCC version supports up to 60 cores, and the MCC version supports up to 32 cores. The CPU carriers differ by the presence or absence of shims and levers.



SP XCC



SP MCC

| CPU and Carrier Type | | | | | |
|----------------------|-------|--------------|-------|------|---|
| CPU Type | Cores | Carrier Type | Lever | Shim | Carrier Part Number |
| XCC | 60 | E1A | Yes | No | SKT-1333L-0000-FXC (alt: SKT-1333L-0001-LTS) |
| MCC | 32 | E1B | Yes | Yes | SKT-1424L-001B-FXC (alt: SKT-1424L-001B-LTS) |

Installation Overview

The processor (CPU) and processor carrier should be assembled together first to form the processor carrier assembly. This will be attached to the heatsink to form the processor heatsink module (PHM) before being installed onto the CPU socket.

Notes:

- Use ESD protection.
- The system power cords must be removed from all power supplies.
- Check that the plastic protective cover is on the CPU socket and none of the socket pins are bent. If they are, contact your retailer.
- When handling the processor, avoid touching or placing direct pressure on the LGA lands (gold contacts). Improper installation or socket misalignment can cause serious damage to the processor or socket, which may require manufacturer repairs.
- Refer to the Supermicro website for updates on processor support.

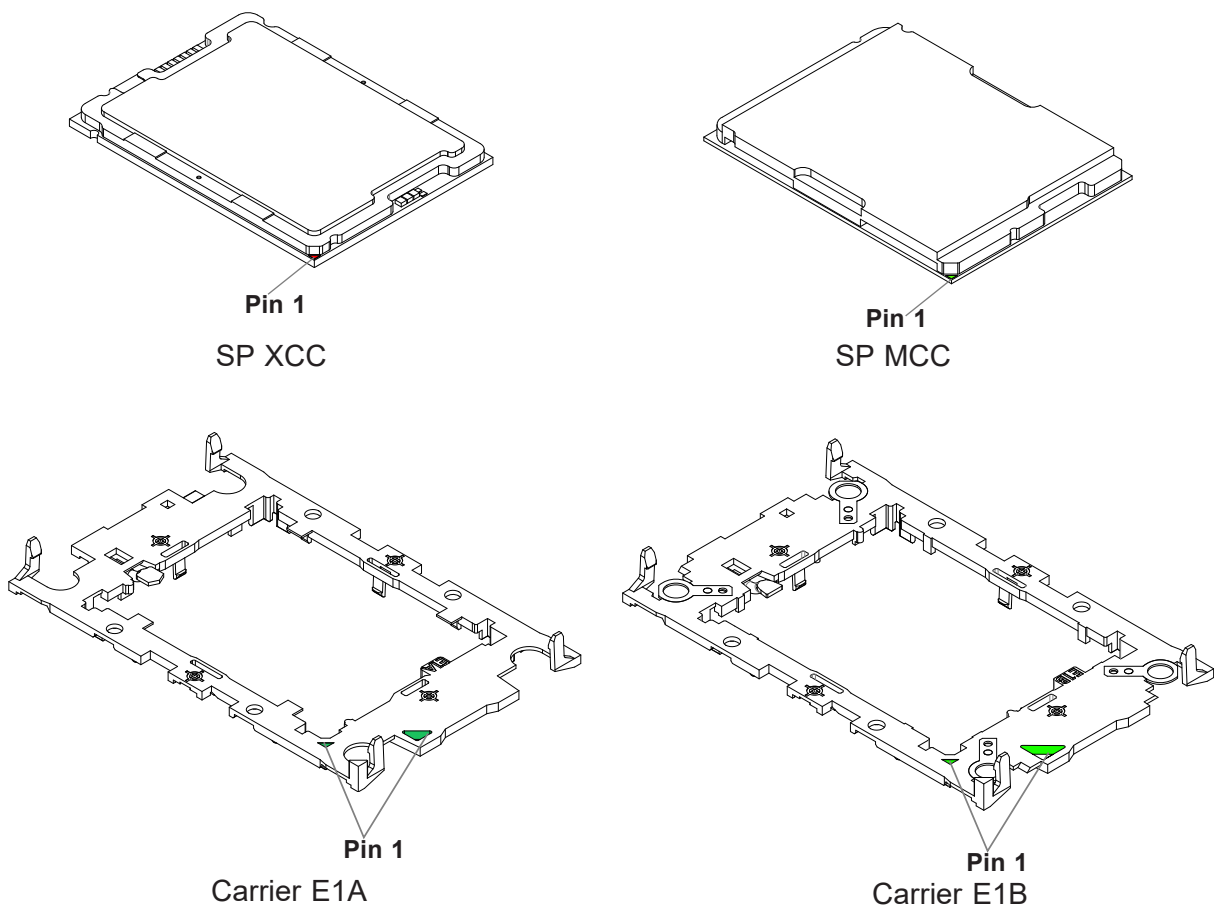
Installation Procedure Overview

After preparing the system, and following ESD precautions, there are four steps to installing the processor and heatsink onto the motherboard.

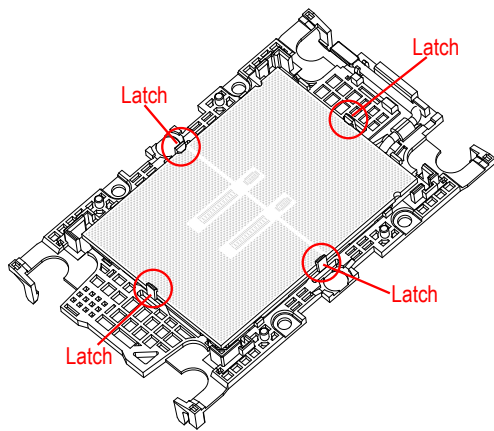
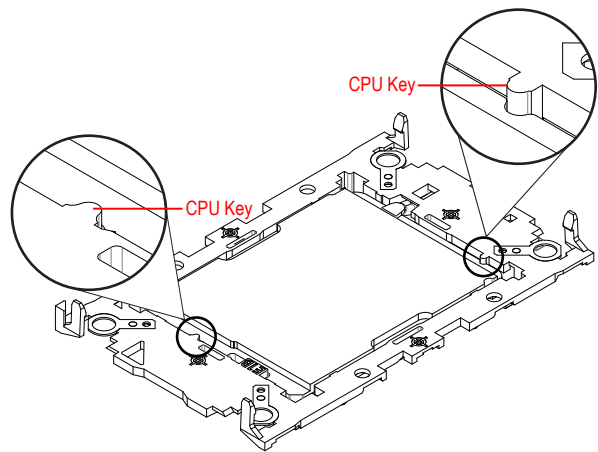
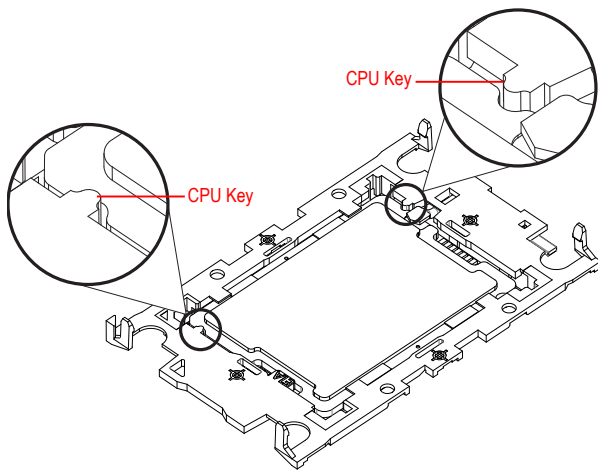
1. Attach the processor to a plastic carrier to create the processor carrier assembly.
2. Attach the processor carrier assembly to the heatsink to create the processor heatsink module (PHM).
3. Remove the socket cover.
4. Install the PHM.

Assembling the Processor Carrier Assembly

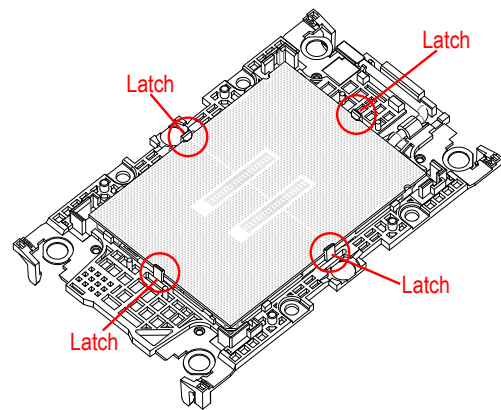
1. Hold the processor with the gold pins (LGA lands) facing down. Locate the gold triangle at the corner of the processor and the corresponding hollowed triangle on the processor carrier as shown below. These triangles indicate the location of pin 1.



2. Turn the processor over (with the gold pins up). Locate the CPU keys on the processor and the four latches on the carrier.

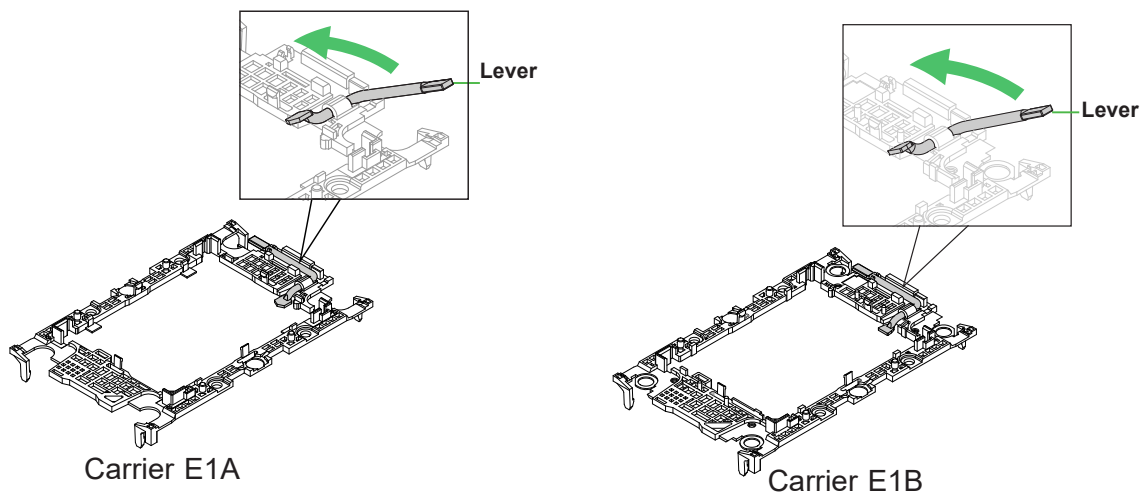


SP XCC

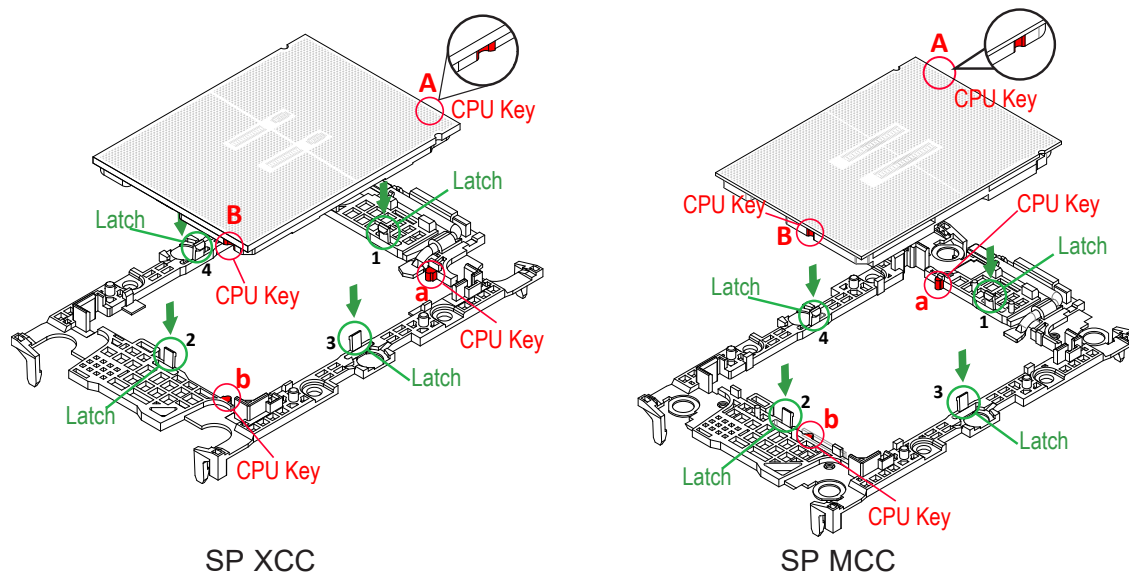


SP MCC

3. Locate the lever on the processor carrier and press it down.

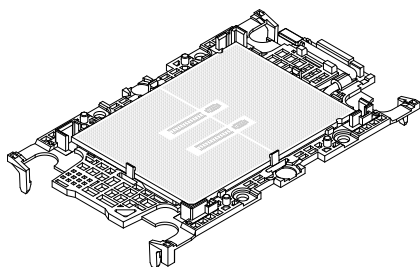
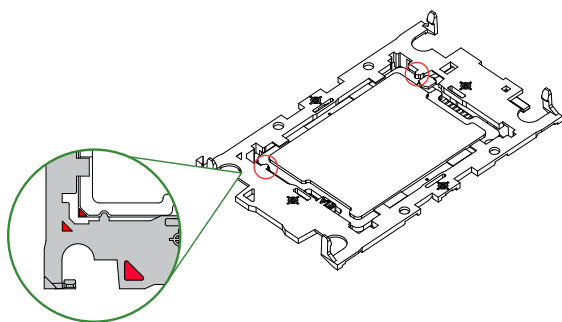


4. Using pin 1 as a guide, carefully align the CPU keys on the processor (A & B) with those on the carrier (a & b).

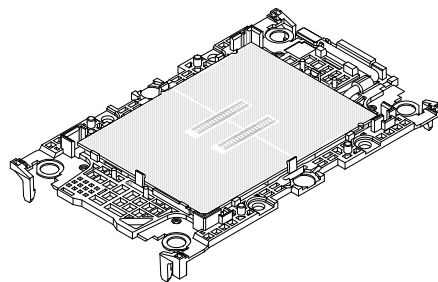
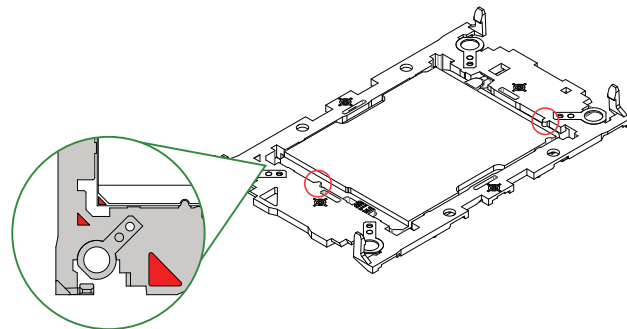


5. Once aligned, carefully insert the CPU into the carrier, making sure that the CPU is secured by latches 1, 2, 3, and 4.

**Processor Carrier Assembly
(Top View)**



SP XCC



SP MCC

**Processor Carrier Assembly
(Component Side)**

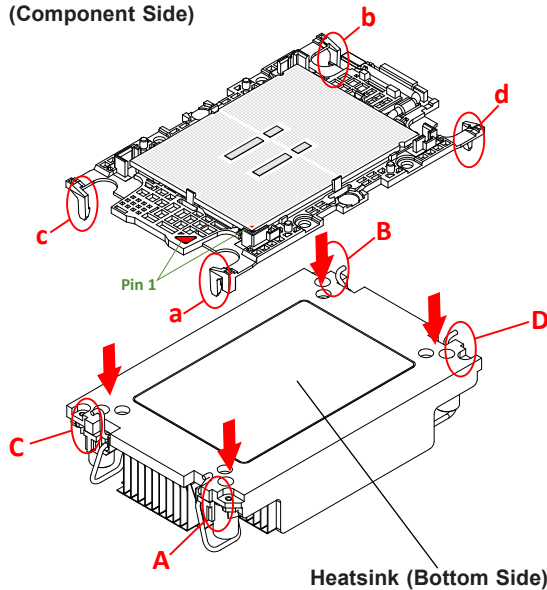
Assembling the Processor Heatsink Module

Thermal grease is pre-applied on a new heatsink. No additional thermal grease is needed. If this is a re-installation, apply the proper amount of thermal grease to the underside of the heatsink.

Assembling the Processor Heatsink Module (PHM)

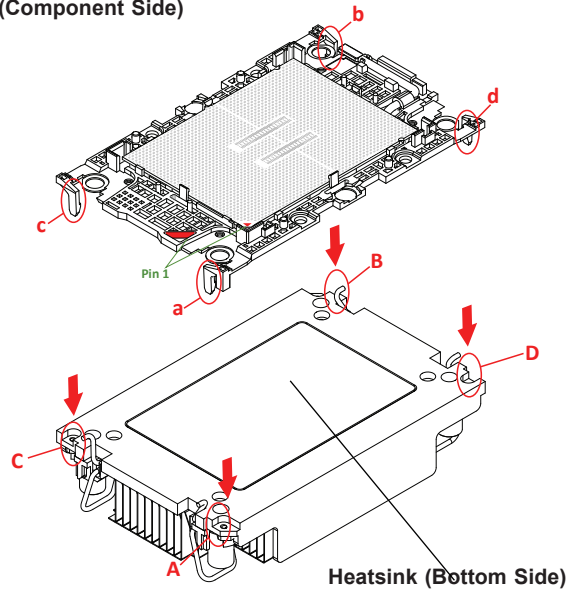
1. Turn the heatsink over with the thermal grease facing up. Pay attention to the two triangle cutouts (A, B) located at the diagonal corners of the heatsink as shown in the drawing below.
2. Hold the processor carrier assembly upside-down to locate the triangles on the processor and the carrier, which indicate pin 1.

Processor Carrier Assembly
(Component Side)



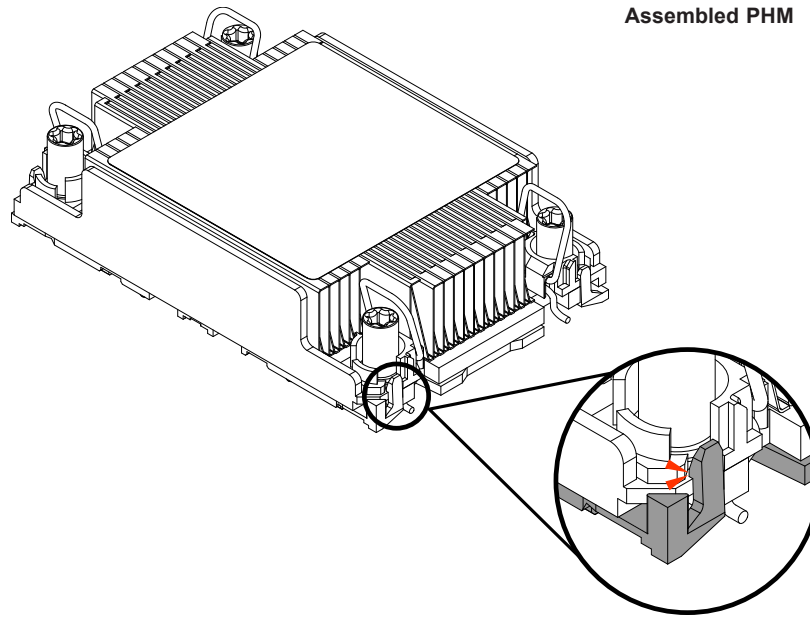
SP XCC

CPU Carrier Assembly
(Component Side)



SP MCC

3. Turn the processor carrier assembly over so that the gold pins are facing up. Locate the two pin 1 locations ("A" on the processor and "a" on the processor carrier assembly).
4. Align "a" on the processor carrier assembly with the triangular cutout "A" on the heatsink along with "b", "c", "d" on the processor assembly with "B", "C", "D" on the heatsink.
5. Once properly aligned, place the heatsink on the processor carrier assembly with all corners matched up, making sure that the four clips are properly securing the heatsink.

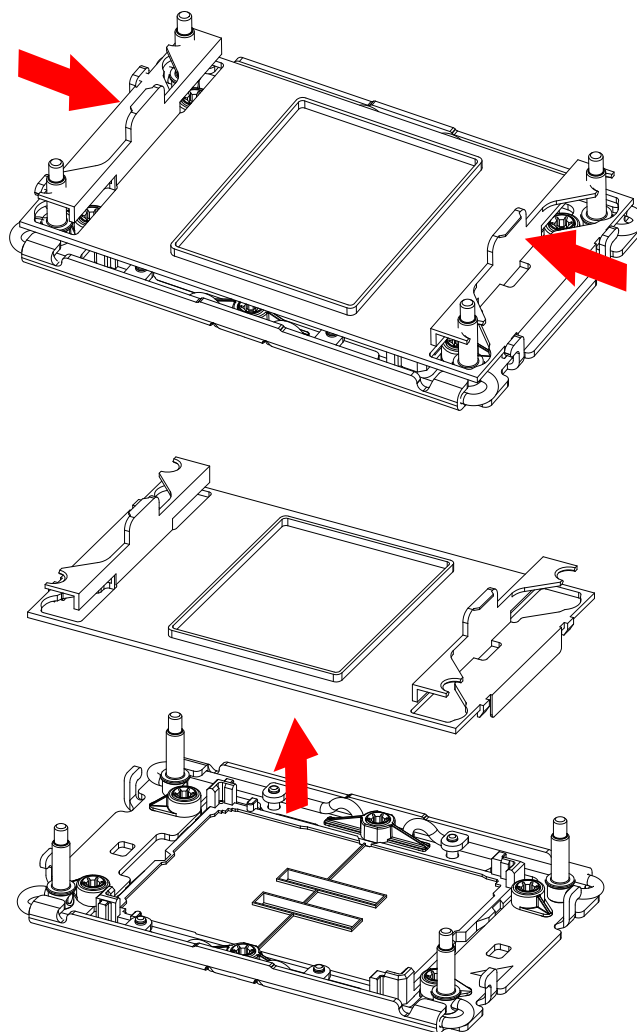


Note: The figure is for illustrative purposes. Your components may differ slightly from the components shown.

Removing the Socket Cover

Remove the plastic protective cover from the socket by gently squeezing the grip tabs and pulling the cover off.

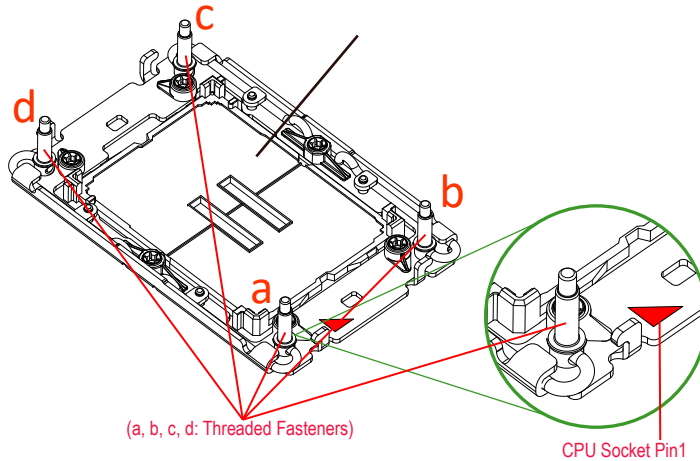
CPU Socket with Plastic Protective Cover



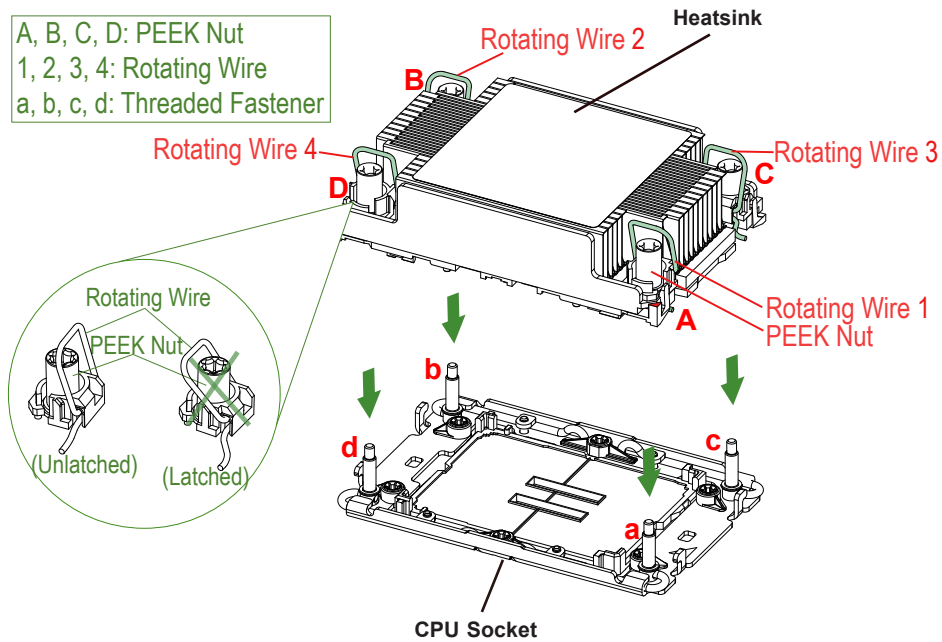
Installing the PHM

To install the PHM into the CPU socket, follow these steps.

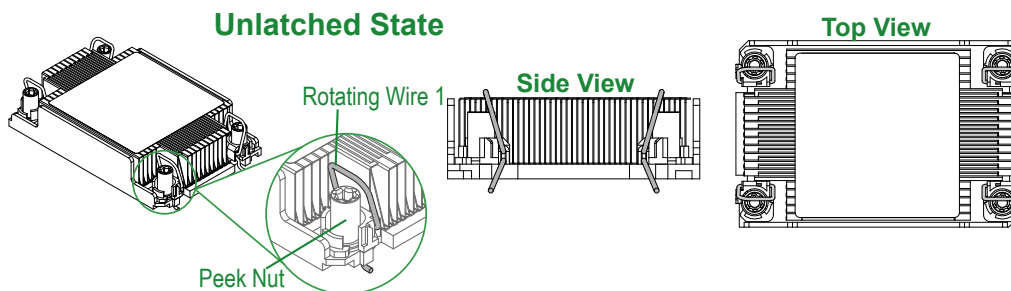
1. Locate four threaded fasteners (a, b, c, d) and Pin 1 on the CPU socket.



2. Locate four PEEK nuts (A, B, C, D) and four rotating wires (1, 2, 3, 4) on the heatsink.



3. Check the rotating wires (1, 2, 3, 4) to make sure that they are in the unlatched position.



4. Align PEEK nut "A" (next to the triangular pin 1 on the heatsink) with threaded fastener "a" on the CPU socket. Then align PEEK nuts "B", "C", "D" on the heatsink with threaded fasteners "b", "c", "d" on the CPU socket.

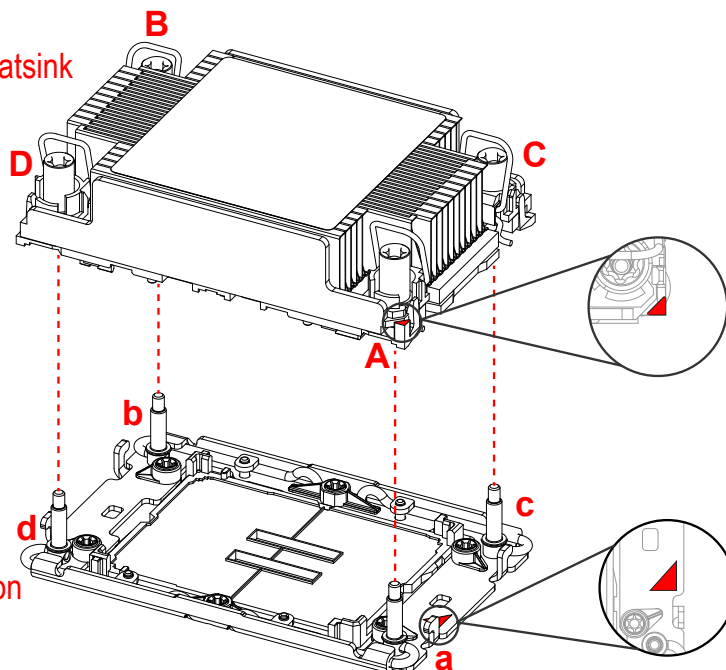
5. Once aligned, gently place the PHM on the CPU socket, making sure that each PEEK nut is properly attached to its corresponding threaded fastener.

A, B, C, D:

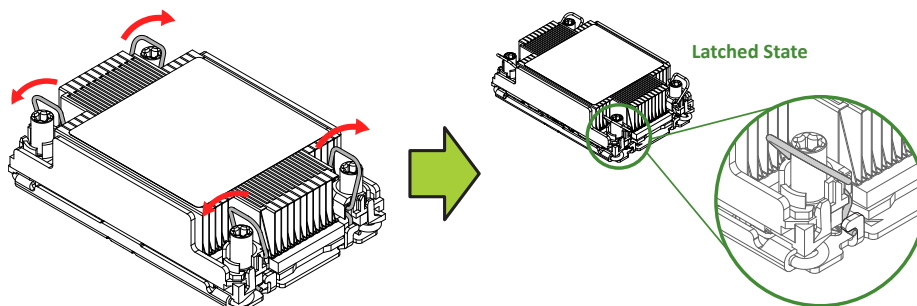
PEEK Nut on the Heatsink

a, b, c, d:

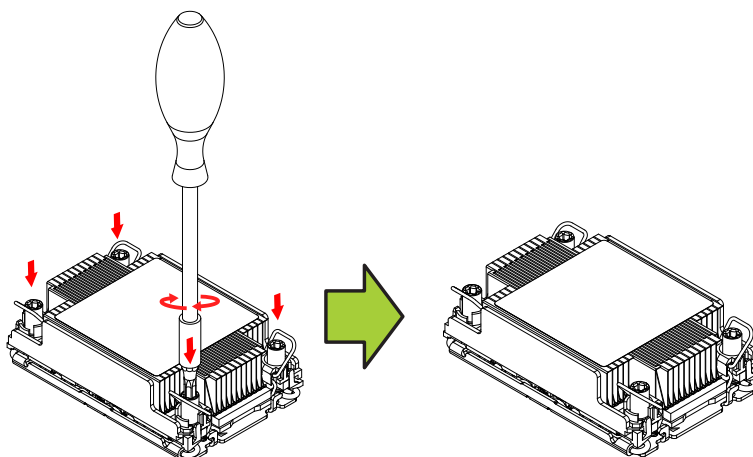
Threaded Fastener on the CPU socket



6. Press all four rotating wires outward and make sure that the heatsink is securely latched into the CPU socket.



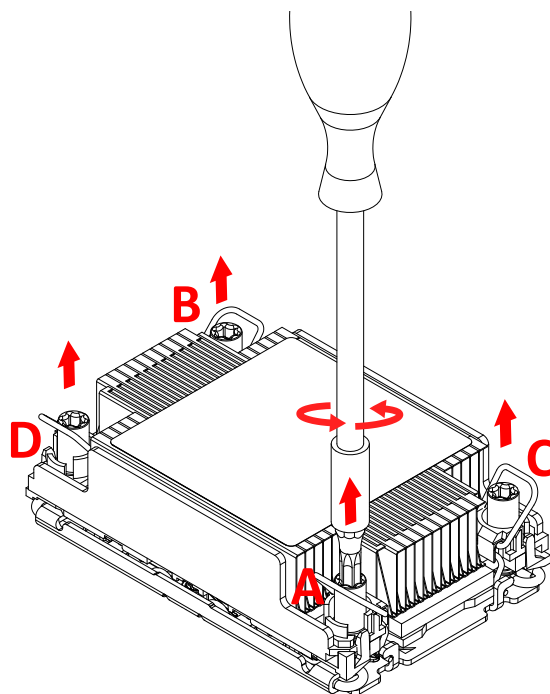
7. With a T30-bit torque driver, tighten all PEEK nuts in the sequence of "A", "B", "C", and "D" with even pressure. Note the torque specifications written on the heatsink, and do not exceed them when tightening the screws.
8. Examine all corners of the heatsink to ensure that the PHM is firmly attached to the CPU socket.



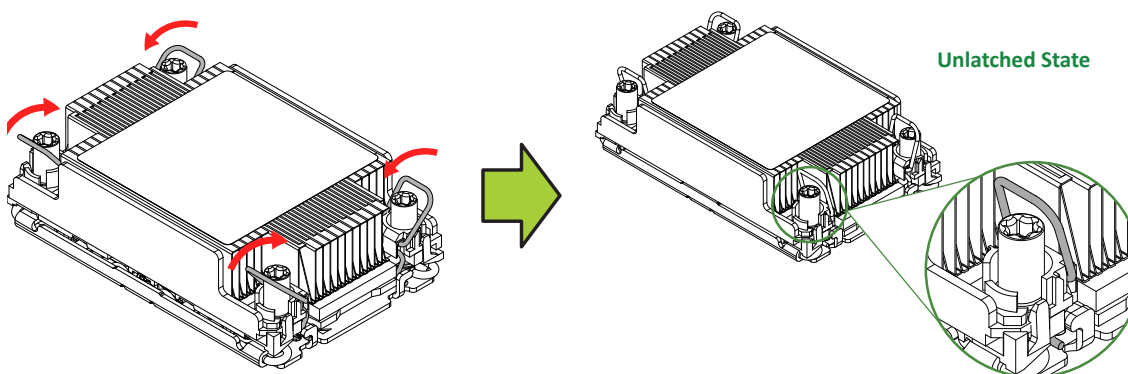
Removing the PHM

To remove the processor heatsink module (PHM) from the motherboard, follow these steps.

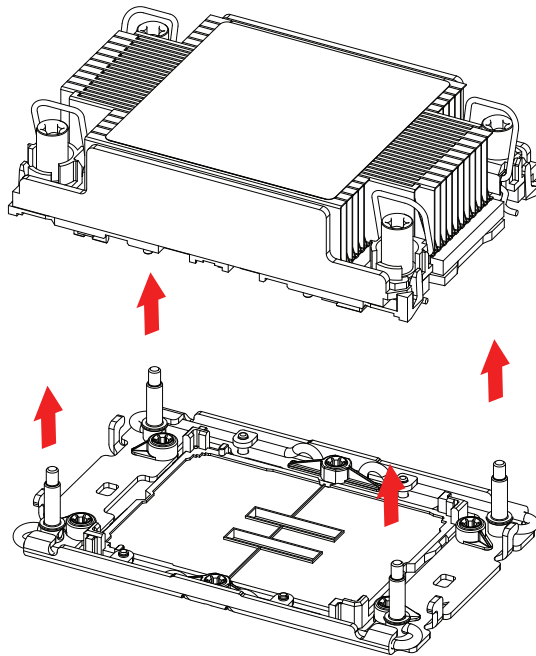
1. Shut down the system and unplug the AC power cord from all power supplies.
2. Use a T30-bit screwdriver to loosen the four PEEK nuts on the heatsink in the sequence of A, B, C, and D.



3. Press the rotating wires inward to unlatch the PHM from the socket as shown below.



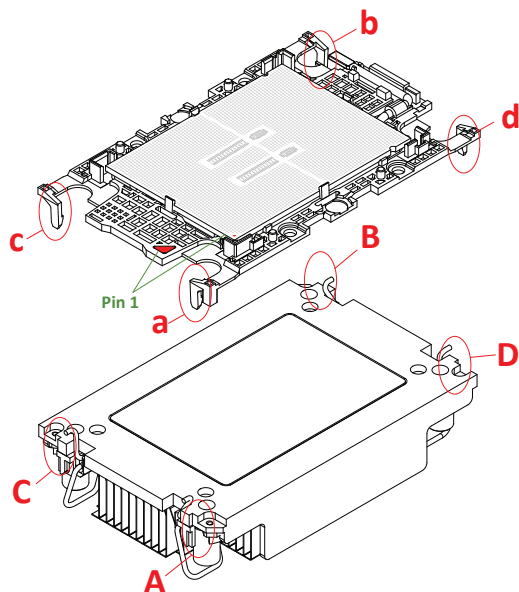
4. Gently lift the PHM upward to remove it from the CPU socket.



Removing the Carrier Assembly from the Heatsink

To remove the processor carrier assembly from the PHM, follow these steps:

1. Detach the four plastic clips (marked a, b, c, d) on the processor carrier assembly from the four corners of the heatsink (marked A, B, C, D) as shown below.

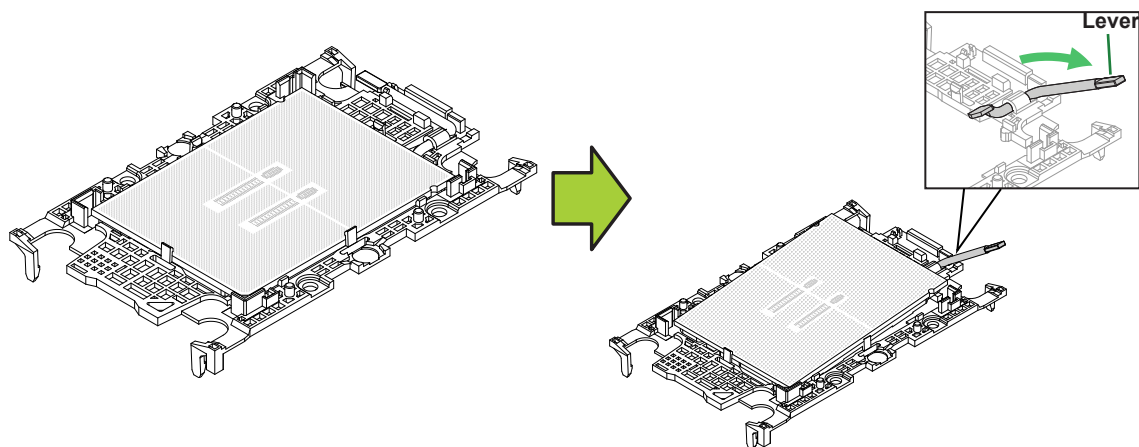


2. When all plastic clips have been detached from the heatsink, remove the processor carrier assembly from the heatsink.

Removing the Processor from the Carrier Assembly

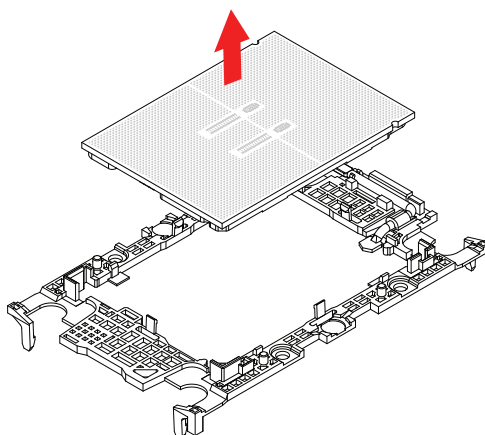
To remove the processor from the processor carrier, follow these steps.

1. Unlock the lever from its locked position and push it upwards to disengage the processor from the processor carrier as shown below right.



2. Once the processor has been loosened from the carrier, carefully remove the processor from the carrier.

Note: Handle the processor with care.



3.4 Memory

Memory Support

This motherboard supports up to 4 TB 3DS RDIMM/RDIMM DDR5 (288-pin) ECC memory 16 DIMM slots, one DIMM per channel. LRDIMM/LRDIMM-3DS is not supported. For validated memory, use the following page:

https://www.supermicro.com/en/support/resources/resource_links.cfm

| DDR5 Memory Support for the 4th and 5th Gen Intel Xeon Scalable Processors-SP | | | | | |
|---|---------------------------------------|------------------------|-------------------------|-----------------------------------|-----------------------|
| Type | Ranks Per DIMM and Data Width (Stack) | DIMM Capacity (GB) | | Speed (MT/s) | |
| | | 16 Gb Chip | 24 Gb Chip ² | One DIMM per Channel ¹ | Two DIMMs per Channel |
| RDIMM | SRx8 (RC D) | 16 GB | 24 GB | 4800* | 4400* |
| | SRx4 (RC C) | 32 GB | 48 GB | | |
| | SRx4 (RC F) 9x4 | 32 GB | NA | | |
| | DRx8 (RC E) | 32GB | 48 GB | | |
| | DRx4 (RC A) | 64 GB | 96 GB | | |
| | DRx4 (RC B) 9x4 | 64 GB | NA | | |
| RDIMM 3DS | (4R/8R) x4 (RC A) | 2H-128 GB 4H-256 GB | NA | | |

*Memory speed and capacity support depends on the processors used in the system.

Note 1: 1DPC applies to 1SPC or 2SPC implementations (SPC - sockets per channel).

Note 2: 24 Gb XCC only with limited configs: 1DPC all DIMM types, 2DPC 96 GB only. Only 8 and 16 DIMM configs, no failbacks.

| DDR5 Memory Support for the 5th Gen Scalable Processors-SP | | | | | |
|--|---------------------------------------|------------------------|-----------------------------------|-----------------------------------|-----------------------|
| Type | Ranks Per DIMM and Data Width (Stack) | DIMM Capacity (GB) | | Speed (MT/s) | |
| | | Memory Density 16 Gb | Memory Density 24 Gb ² | One DIMM per Channel ¹ | Two DIMMs per Channel |
| RDIMM | SRx8 (RC D) | 16 GB | 24 GB | 5600* | 4400* |
| | SRx4 (RC C) | 32 GB | 48 GB | | |
| | SRx4 (RC F) 9x4 | NA | NA | | |
| | DRx8 (RC E) | 32 GB | 48 GB | | |
| | DRx4 (RC A) | 64 GB | 96 GB | | |
| | DRx4 (RC B) 9x4 | NA | NA | | |
| RDIMM 3DS | (4R/8R) x4 (RC A) | 2H-128 GB 4H-256 GB | NA | | |

*Memory speed and capacity support depends on the processors used in the system.

Note 1: 1DPC applies to 1SPC or 2SPC implementations (SPC - sockets per channel).

Note 2: 24 Gb XCC only with limited configs: 1DPC all DIMM types, 2DPC 96 GB only. Only 8 and 16 DIMM configs, no failbacks.

Note 3: Memory speed will be 5600 MT/s 1DPC or 4400 MT/s 2DPC.

Note 4: For 1DPC 5600 MT/s speed, DDR5-5600 DIMMs are required

Note 5: Mixing DRAM density (16 Gb/24 Gb) and/or frequency is not allowed.

Use the DIMM slots listed below for memory modules. This memory population table is based on guidelines provided by Intel to support Supermicro motherboards.

| Memory Population for the X13 DP Motherboard, 16 DIMM Slots | |
|---|---|
| CPU/DIMMs | DIMM Slots |
| 1 CPU & 1 DIMM | A1 or B1 or E1 or F1 |
| 1 CPU & 2 DIMMs | A1, G1 or C1, E1 |
| 1 CPU & 4 DIMMs | A1, C1, E1, G1 |
| 1 CPU & 6 DIMM | A1, C1, D1, E1, F1, G1 or A1, B1, C1, E1, G1, H1 or B1, C1, D1, E1, F1, H1 or A1, B1, D1, F1, G1, H1 |
| 1 CPU & 8 DIMMs | A1, B1, C1, D1, E1, F1, G1, H1 |
| 2 CPUs & 2 DIMMs | CPU1: A1; CPU2: A1 or CPU1: B1; CPU2: B1 or CPU1: E1; CPU2: E1 or CPU1: F1; CPU2: F1 |
| 2 CPUs & 4 DIMMs | CPU1: A1, G1; CPU2: A1, G1 or CPU1: C1, E1; CPU2: C1, E1 |
| 2 CPUs & 8 DIMMs | CPU1: A1, C1, E1, G1, CPU2: A1, C1, E1, G1 |
| 2 CPUs & 12 DIMMs | CPU1: A1, C1, D1, E1, F1, G1; CPU2: A1, C1, D1, E1, F1, G1 or CPU1: A1, B1, C1, E1, G1, H1; CPU2: A1, B1, C1, E1, G1, H1 or CPU1: B1, C1, D1, E1, F1, H1; CPU2: B1, C1, D1, E1, F1, H1 or CPU1: A1, B1, D1, F1, G1, H1; CPU2: A1, B1, D1, F1, G1, H1 |
| 2 CPUs & 16 DIMMs | CPU1: A1, B1, C1, D1, E1, F1, G1, H1; CPU2: A1, B1, C1, D1, E1, F1, G1, H1 |

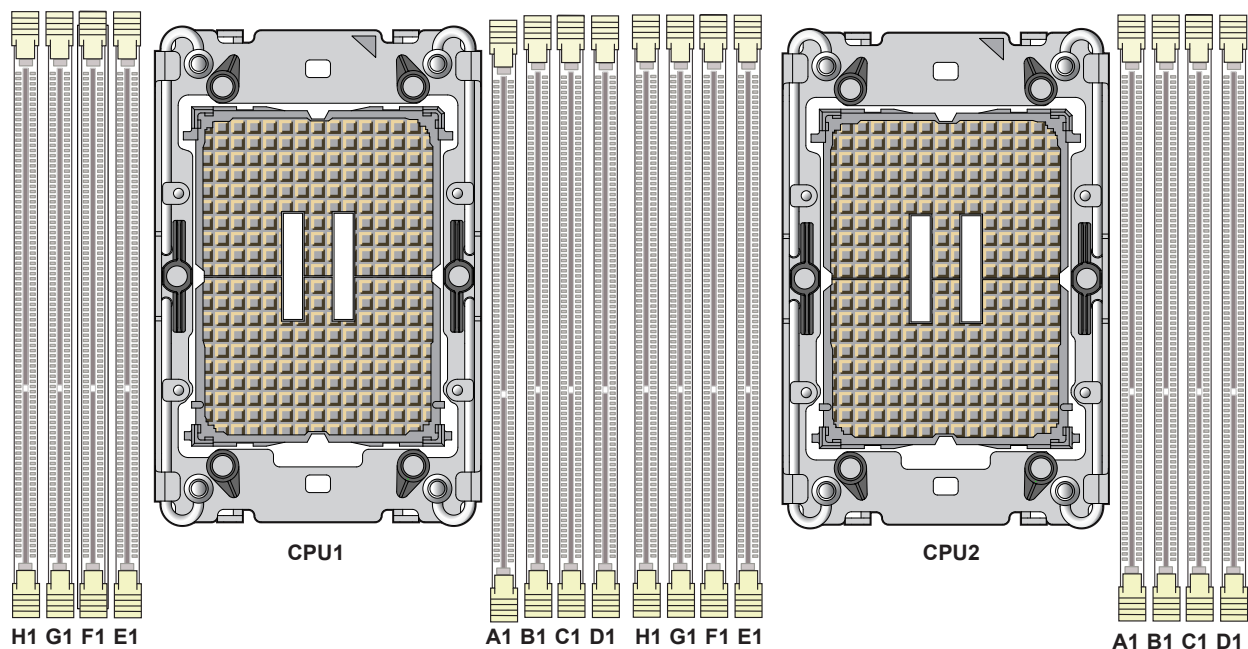


Figure 3-2. Memory Slots

Memory Population Guidelines

- All DIMMs must be DDR5.
- Balance memory. Using unbalanced memory topology, such as populating two DIMMs in one channel while populating one DIMM in another channel, reduces performance. It is not recommended for Supermicro systems.
- In dual-CPU configurations, memory must be installed in the slots associated with the installed CPUs.

Guidelines Regarding Mixing DIMMs

- Mixing memory modules of different types, speeds, ranks and vendors is very likely to cause performance issues, and therefore not recommended.
- Populating slots with a pair of DIMM modules of the same type and size results in interleaved memory, which improves memory performance.
- x4 and x8 DIMMs can be mixed in the same channel.
- LRDIMMs are not supported.

DIMM Construction

- RDIMM (*non-3DS*) Raw Cards: A/B (2Rx4), C (1Rx4), D (1Rx8), E (2Rx8)
- 3DS RDIMM Raw Cards: A/B (4Rx4)

Memory Population Sequence

Blue slots versus black slots: Install the first DIMM in the blue memory slot, which is the first of a memory channel. Then, if using two DIMMs per channel, install the second DIMM in the black slot.

| Key Parameters for DIMM Configurations | |
|--|---|
| Parameters | Possible Values |
| Number of Channels per Socket | 1, 2, 4, 6, 8 |
| Number of DIMMs per Channel | 1DPC (1 DIMM Per Channel) |
| DIMM Type | RDIMM, 3DS RDIMM, and 9x4 RDIMMs |
| DIMM Construction | non-3DS RDIMM Raw Cards: A (2Rx4), C (1Rx4), D (1Rx8), E (2Rx8) 3DS RDIMM Raw Cards: A (4Rx4, 8Rx4) 9x4 RDIMM Raw Cards: B (2Rx4), F (1Rx4) |

Installing Memory

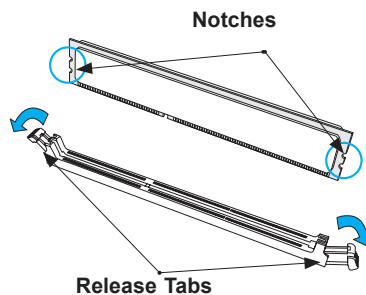
Electrostatic Discharge (ESD) can damage electronic components including memory modules. To avoid damaging DIMM modules, it is important to handle them carefully. The following measures are generally sufficient.

- Use a grounded wrist strap designed to prevent static discharge.
- Handle the memory module by its edges only.
- Put the memory modules into the antistatic bags when not in use.

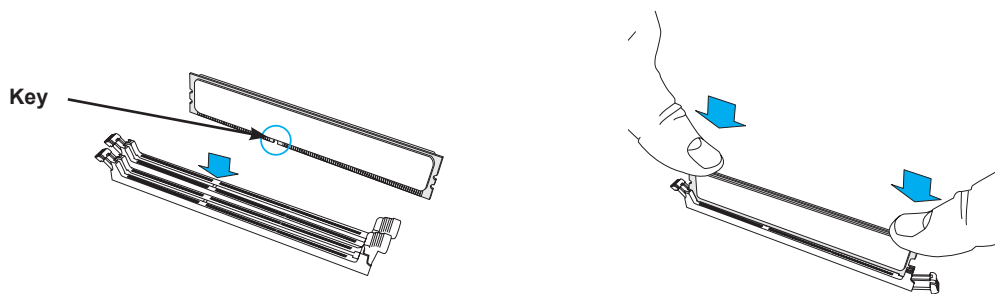
Installing Memory

Begin by removing power from the system as described in Section 3.1. Follow the memory population sequence in the table above.

1. Push the release tabs outwards on both ends of the DIMM slot to unlock it.



2. Align the key of the DIMM with the receptive point on the memory slot and with your thumbs on both ends of the module, press it straight down into the slot until the module snaps into place.



3. Press the release tabs to the locked position to secure the DIMM module into the slot.

Caution: Exercise extreme caution when installing or removing memory modules to prevent damage to the DIMMs or slots.

Removing Memory

To remove a DIMM, unlock the release tabs then pull the DIMM from the memory slot.

3.5 Motherboard Battery

The motherboard uses non-volatile memory to retain system information when system power is removed. This memory is powered by a lithium battery residing on the motherboard.

Replacing the Battery

Begin by removing power from the system as described in Section 3.1.

1. Push aside the small clamp that covers the edge of the battery. When the battery is released, lift it out of the holder.
2. To insert a new battery, slide one edge under the lip of the holder with the positive (+) side facing up. Then push the other side down until the clamp snaps over it.

Note: Handle used batteries carefully. Do not damage the battery in any way; a damaged battery may release hazardous materials into the environment. Do not discard a used battery in the garbage or a public landfill. Please comply with the regulations set up by your local hazardous waste management agency to dispose of your used battery properly.

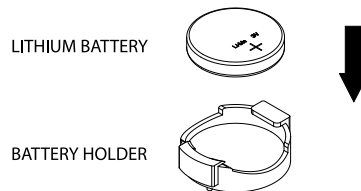


Figure 3-3. Installing the Onboard Battery

Important! There is a danger of explosion if the onboard battery is installed upside down (which reverses its polarities). This battery must be replaced only with the same or an equivalent type recommended by the manufacturer (CR2032).

3.6 Storage Drives

The system supports ten hot-swap 2.5" NVMe/SAS/SATA storage drives in hybrid bays. An optional controller card kit is required to support SAS.

The drives are mounted in tool-less drive carriers that simplify their removal from the chassis. These carriers also help promote proper airflow. Each carrier has a small space on the front to receive a label, orange or purple, to help distinguish NVMe or SAS/SATA.

Note: Enterprise-level hard disk drives are recommended for use in Supermicro servers. For compatible storage drives, see the system web page at:

<https://www.supermicro.com/en/products/system/Cloud/1U/SYS-121C-TN10R>

Installing Drives

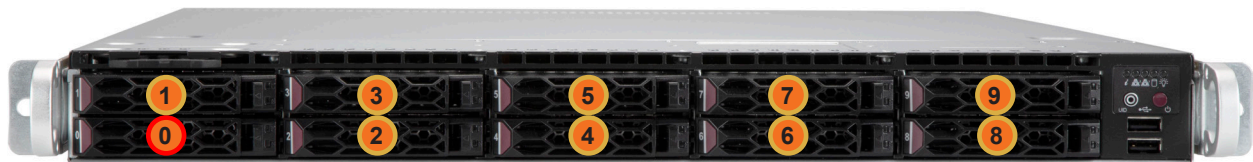


Figure 3-4. Logical Drive Numbers

Removing a Hot-Swap Drive Carrier from the Chassis

1. Push the release button on the drive carrier, which will extend the drive carrier handle.
2. Use the drive carrier handle to pull the drive out of the chassis.

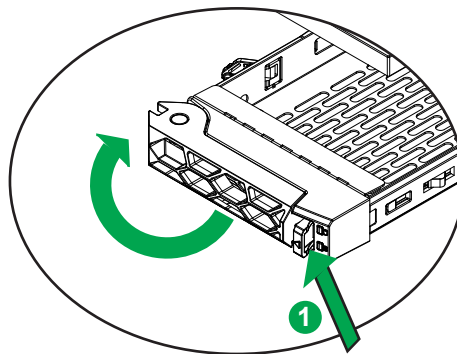


Figure 3-5. Removing a Drive Carrier

Installing a Drive

1. Remove the dummy drive, which comes pre-installed in the drive carrier. Pull out the two locking clasps on the left outside of the carrier and lift out the dummy drive.
2. Position the drive above the carrier with the PCB side facing down and the connector end toward the rear of the carrier.

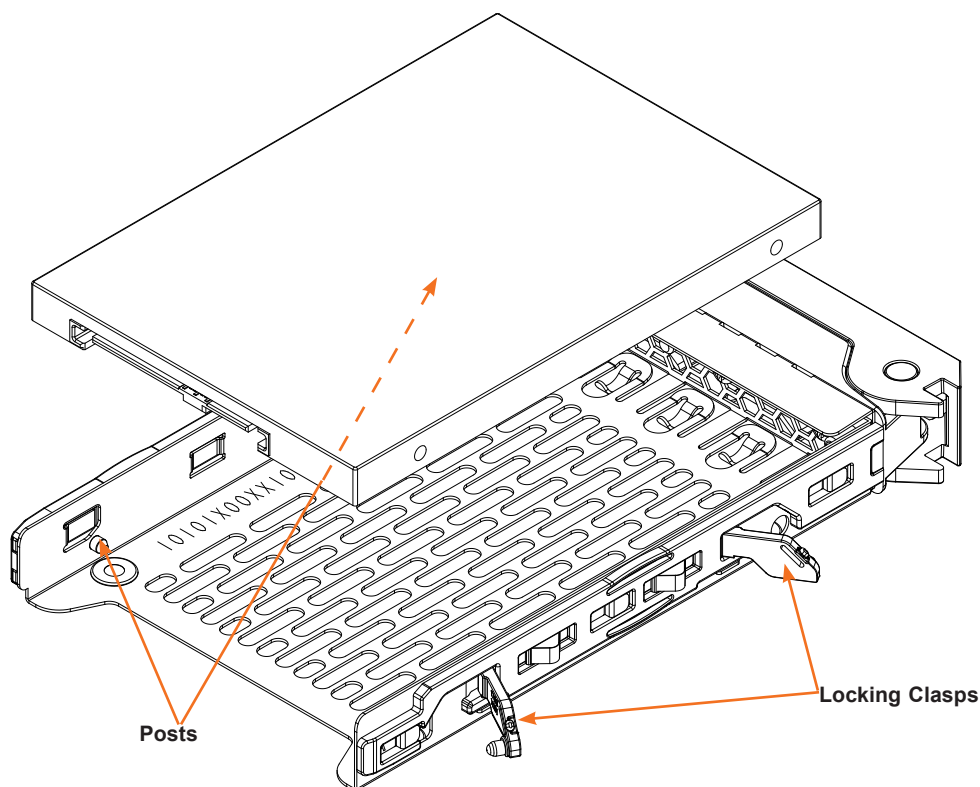


Figure 3-6. Installing a Drive into a Carrier

3. Tilt the drive to insert it onto the two posts on the right inside of the carrier.
4. Pull out the two spring locking clasps and allow the drive to sit fully in the carrier, then close them to secure the drive.
5. Insert the drive carrier into its bay, keeping the release button on the right. When the carrier reaches the rear of the bay, the release handle will retract.
6. Push the handle in until it clicks into its locked position

Installing M.2 Solid State Drives

The motherboard has two M.2 slots for 80-mm NVMe SSDs. The M.2 SSDs are held in place by a plastic pin inserted in the designated hole in the motherboard.

Installing M.2 Drives

1. Power down the system and remove the top cover as described in Sections 3.1 and 3.2.
2. Find the designated hole in the motherboard (MH10 or MH11) with the securing plastic pin.
3. Insert the M.2 SSD into the slot (M.2-C1 or M.2-C2) so that it lays flat, then secure it to the motherboard with the plastic pin.
4. Replace the cover and restore power to the system.

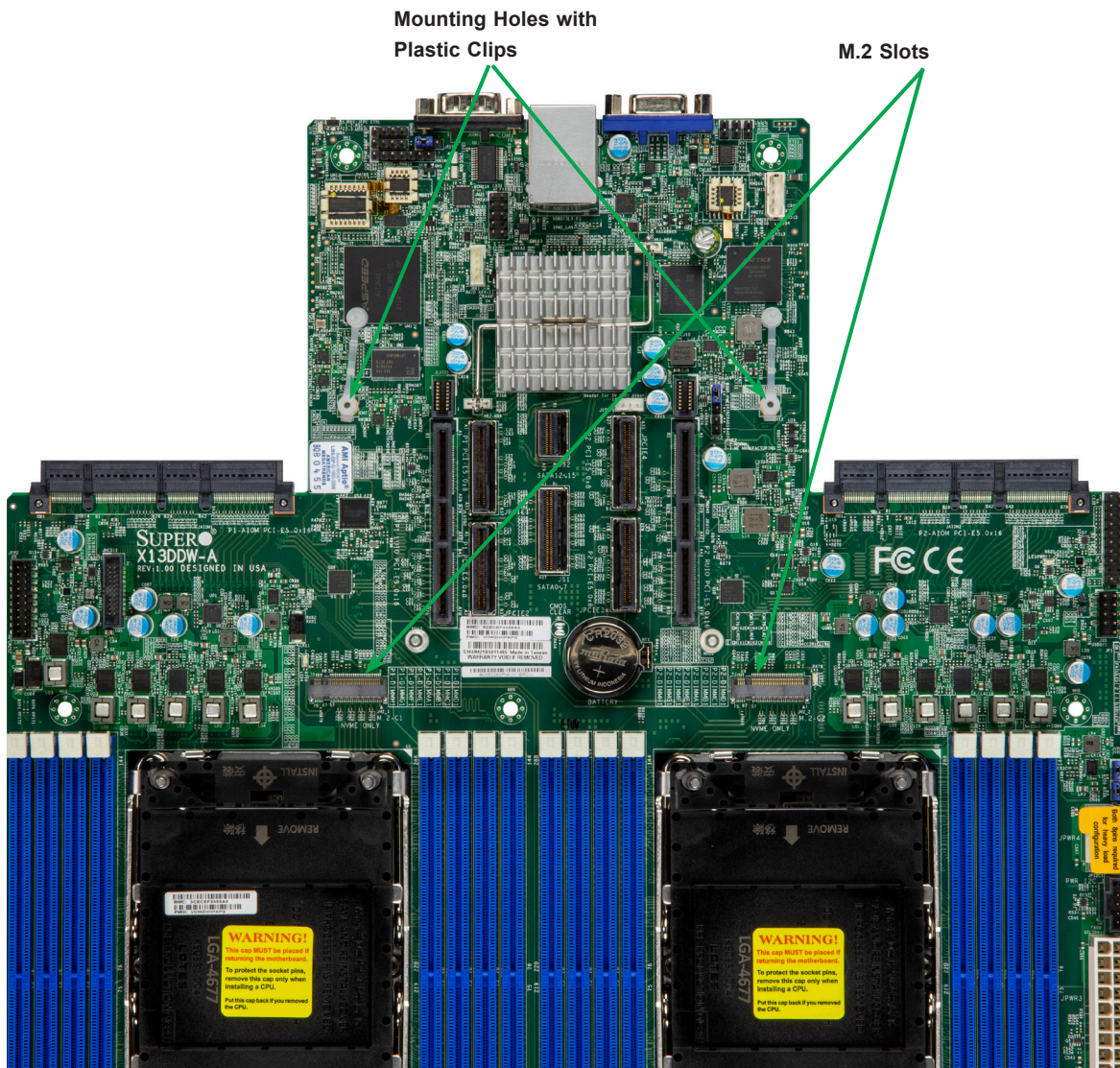


Figure 3-7. Installing the M.2 SSDs

Hot-Swap for NVMe Drives

Supermicro servers support NVMe surprise hot-swap. For even better data security, NVMe orderly hot-swap is recommended. NVMe drives can be ejected and replaced remotely using the BMC Dashboard.

Ejecting a Drive

1. **BMC Dashboard > Server Health > NVMe SSD**
2. Select Device, Group and Slot, and click **Eject**. After ejecting, the drive Status LED indicator turns green.
3. Remove the drive.

Note that *Device* and *Group* are categorized by the CPLD design architecture. *Slot* is the slot number on which the NVMe drives are mounted.

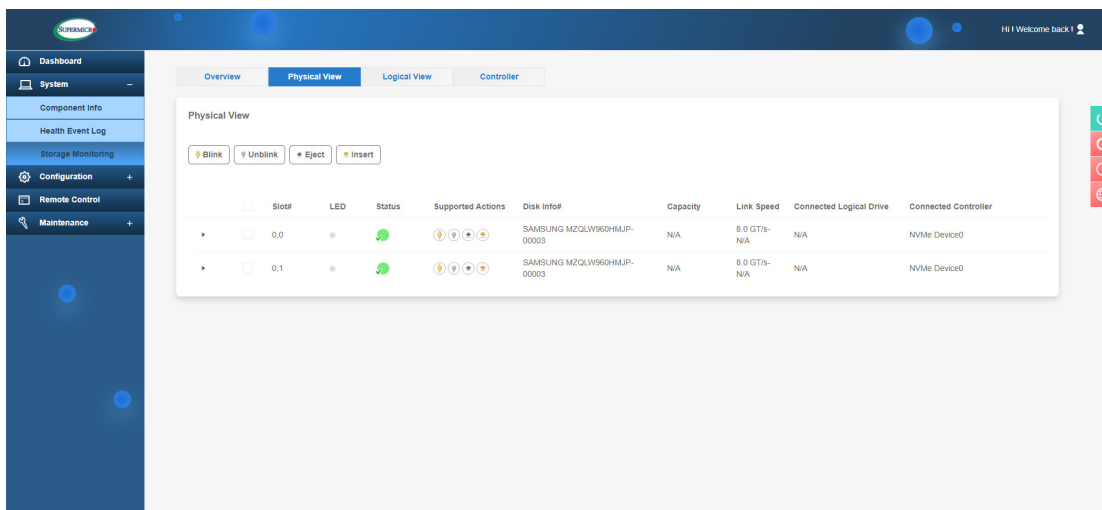


Figure 3-8. BMC Dashboard Screenshot

Replacing the Drive

1. Insert the replacement drive.
2. **BMC Dashboard > Server Health > NVMe SSD**
3. Select Device, Group and slot and click **Insert**. The drive Status LED indicator flashes red, then turns off. The Activity LED turns blue.

Checking the Temperature of an NVMe Drive

There are two ways to check using the BMC Dashboard.

Checking a Drive

- **BMC Dashboard > Server Health > NVMe SSD** – Shows the temperatures of all NVMe drives.
- **BMC Dashboard > Server Health > Sensor Reading > NVME_SSD** – Shows the single highest temperature among all the NVMe drives.

3.7 System Cooling

Fans

Six 4-cm counter-rotating fans provide the cooling for the system. Each fan unit is actually made up of two fans joined back-to-back, which rotate in opposite directions. This counter-rotating action generates exceptional airflow and works to dampen vibration levels.

Fan speed is controlled by the BMC. If a fan fails, the remaining fans will ramp up to full speed (100% duty) to compensate the cooling loss. In addition, the front control panel LED will blink at 1 Hz to indicate fan failure. Replace any failed fan at your earliest convenience with the same type and model.

Make sure the chassis top cover makes a good seal so air circulates properly through the chassis.

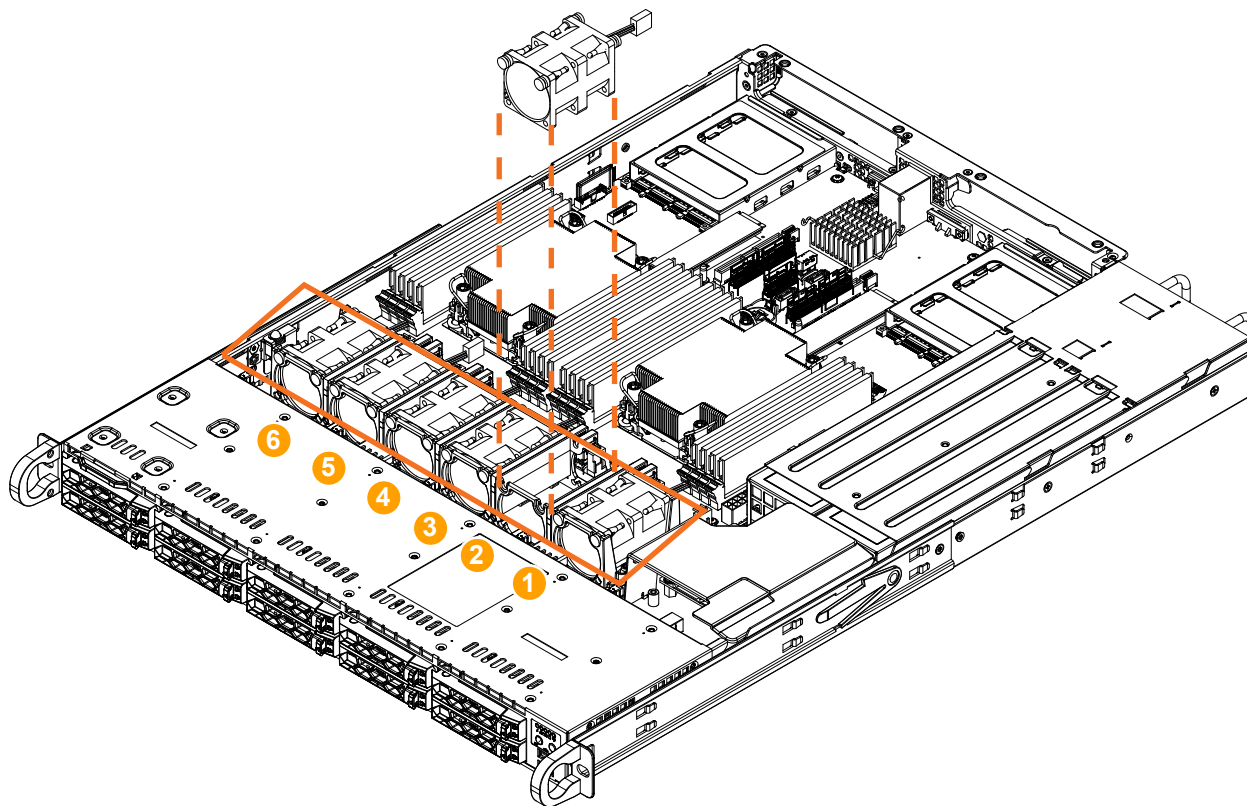


Figure 3-9. Fan Positions

Changing a System Fan

1. Determine which fan is failing. If possible, use the BMC. Remove the chassis lid to examine the fans.
2. Power down the system as described in Section 3.1.

3. Remove the power cable of the failed fan from the motherboard. For details, see Section 3.11.
4. Hold down fan housing with one hand and use the other to lift up the failed fan from the housing and out of the chassis.
5. Place the replacement fan into the vacant space in the housing while checking proper orientation. Ensure the mounting pins are secured in the housing.
6. Connect the fan power cable to the motherboard.
7. Confirm the fans are working properly before closing the chassis lid.

Air Shrouds

Air shrouds concentrate airflow to maximize fan efficiency. They do not require screws to install.

Installing the Standard Air Shrouds

- Position the air shrouds as illustrated in the figure below, sliding the front over the edge of the fan tray.

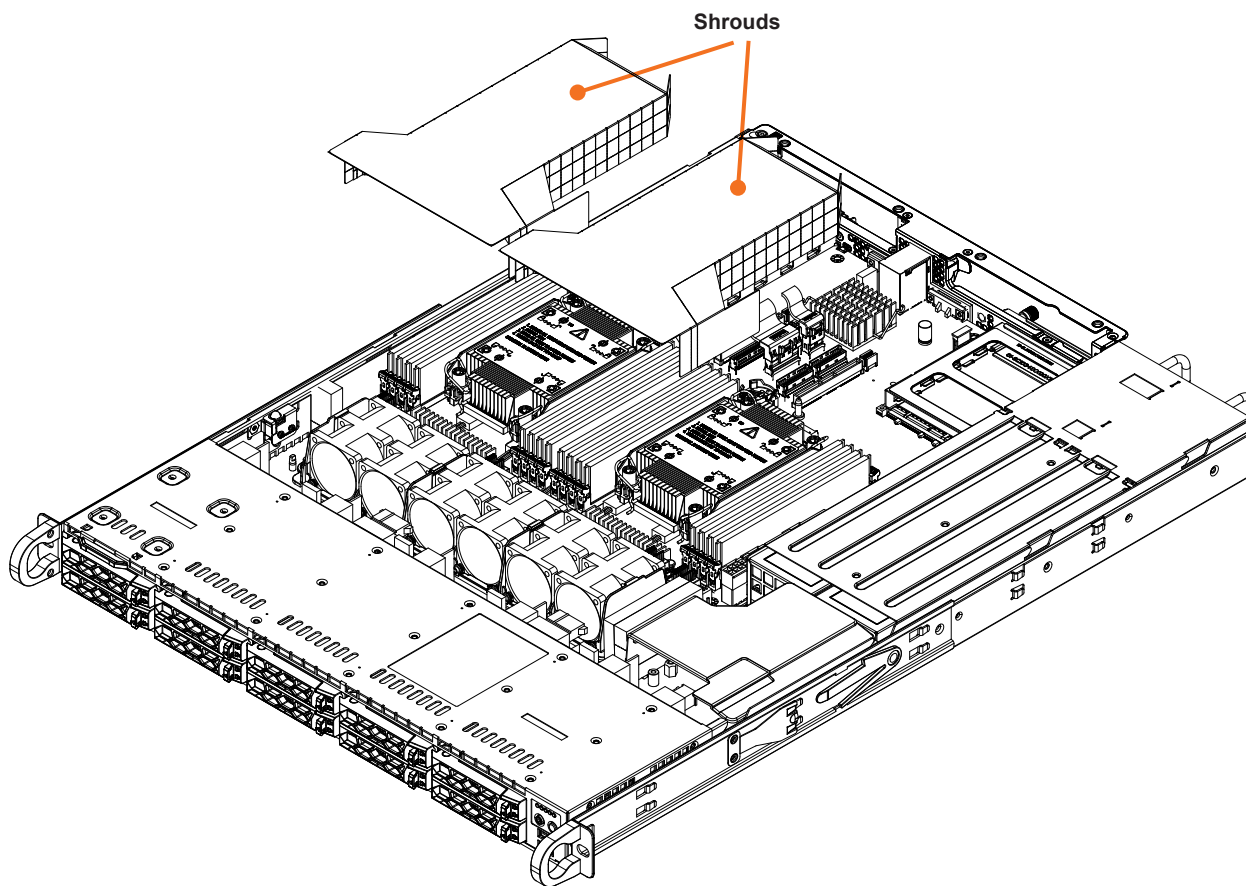


Figure 3-10. Installing the Air Shrouds

3.8 Power Supply

The chassis features redundant power supplies. The system will continue to operate if one module fails. It should be replaced as soon as possible. The power supply modules are hot-swappable, meaning they can be changed without powering down the system. New units can be ordered directly from Supermicro or authorized distributors.

These power supplies are auto-switching capable. This feature enables them to automatically sense the input voltage and operate at 100–120 V or 180–240 V.

Power Supply LEDs

On the rear of the power supply module, an LED displays the status.

| Power Supply Indicator | |
|------------------------|---|
| LED Color and State | Power Supply Condition |
| Solid Green | Indicates that the power supply is on and working |
| Solid Amber | Indicates system is off (in S5 state) or power supply failure has occurred. For the latter case, the system might need servicing. Contact Supermicro technical support. |
| Off | No AC power to modules |

Changing the Power Supply Module:

1. Unplug the AC cord from the module to be replaced.
2. On the back of the module, push the release tab sideways.
3. Pull the module out using the handle.
4. Push the new power supply module into the power bay until it clicks. Replace with the same model.
5. Plug the AC power cord back into the module.



Figure 3-11. Replacing the Power Supply

3.9 AIOM Cards

The system supports up to two advanced input/output module (AIOM) network port cards, PCIe 5.0.

| AIOM Slots | | |
|------------|----------------------------|------------|
| Slot | Mechanical | Electrical |
| A1 | Small Form Factor, OCP 3.0 | x16 (CPU1) |
| A2 | Small Form Factor, OCP 3.0 | x16 (CPU2) |



Figure 3-12. AIOM Chassis Slots

Installing AIOM

1. Remove the blank cover plate (**A1** or **A2**), unscrewing the thumbscrew.
2. Slide the AIOM card in the opening until it seats in the motherboard slot.
3. Secure with the thumbscrew.

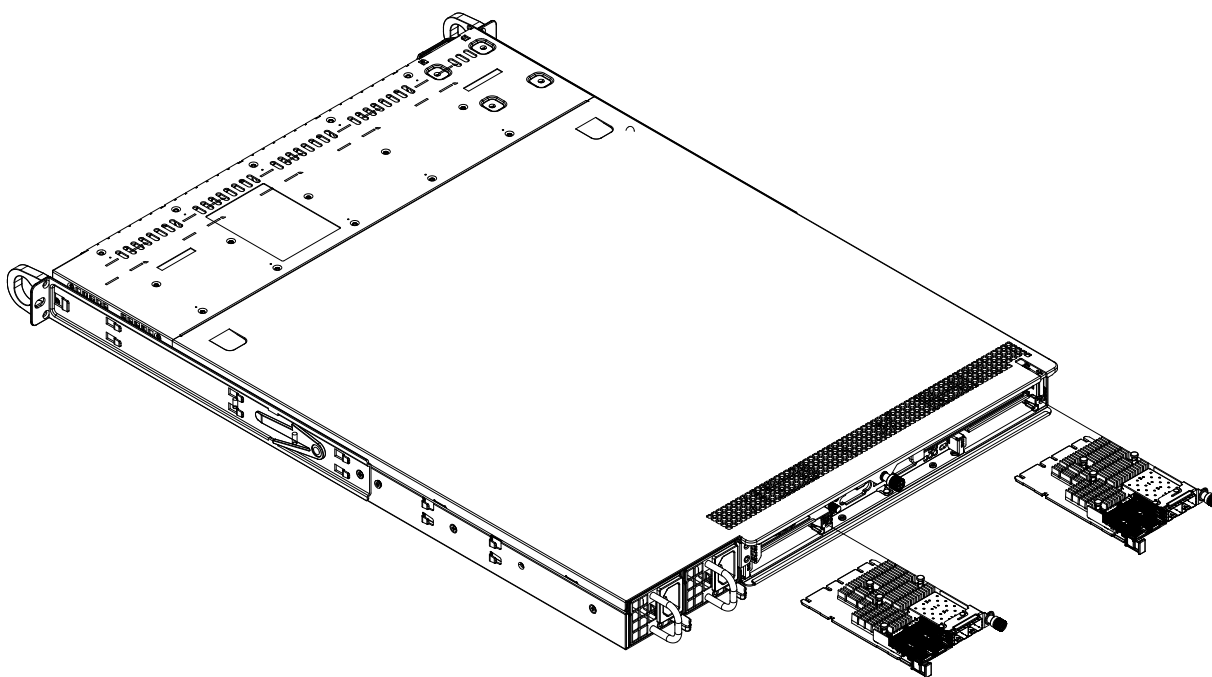


Figure 3-13. Installing AIOMs

3.10 PCIe Expansion Cards

The system accepts two full-height, half-length expansion cards, mounted on riser cards and brackets.



Figure 3-14. Expansion Card Slots in the Chassis

| Expansion Card Configurations | | |
|-------------------------------|--------------------------|------------|
| Slot | Mechanical | Electrical |
| 1 | Full-height, half-length | x16 (CPU1) |
| 2 | Full-height, half-length | x16 (CPU2) |

Full-height = 4.2", Half-length = 6.6"

Installing an Expansion Card

1. Power down the system as described in Section 3.1 and remove the cover.
2. Pull the riser bracket up and out using the pull-tabs.

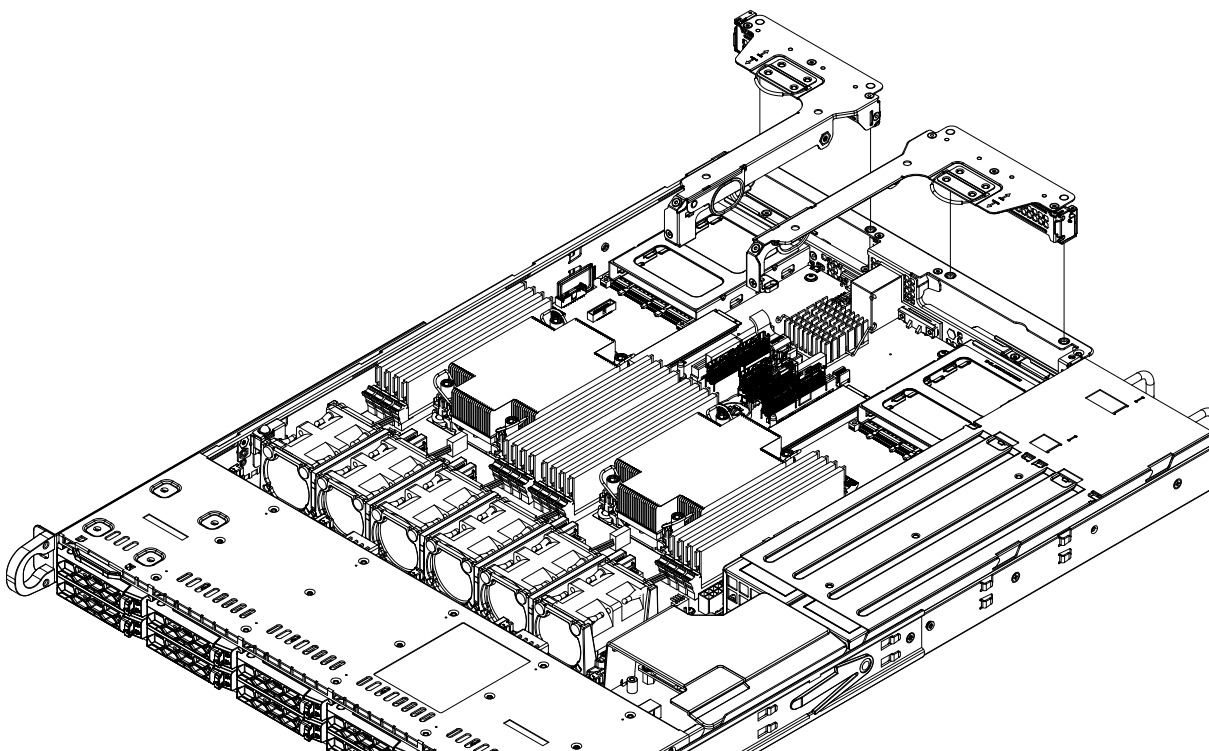


Figure 3-15. Riser Card Bracket and Expansion Slots

3. Insert the expansion card into a slot on the riser card while aligning the expansion card backplate with the open slot in the rear of the chassis. Flip the small plastic lever to secure the backplate.
4. Insert the riser card into the motherboard expansion slot while aligning the riser card bracket with the rear of the chassis. There are two guide pins on the rear of the riser bracket, and one guide pin on the motherboard.

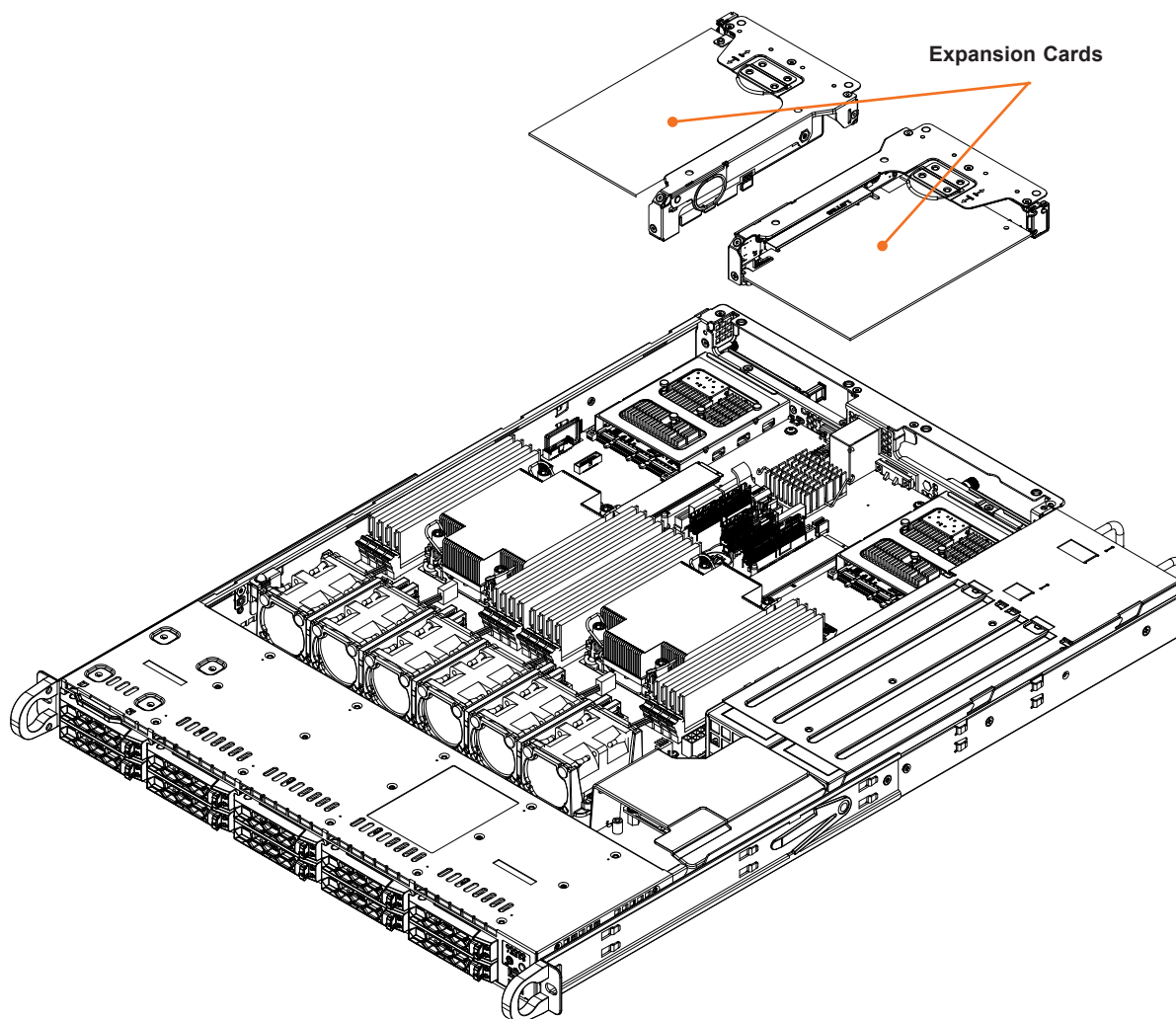


Figure 3-16. Example Expansion Cards

PCIe Bifurcation Settings

By default, the BIOS will set bifurcation according to the detected PCIe card. Bifurcation settings can be found in the BIOS under **Advanced > Chipset Configuration > North Bridge > IIO Configuration > CPU1/CPU2 Configuration**.

Motherboard connector JPCIE3 can provide PCIe lanes to support more NVMe drives, if any. For NVMe, refer to the data cable routing table in Section 3.11.

If the system configuration deviates from the standard supported setup (for example, different riser cards or NVMe routing), bifurcation may need to be set manually.

| BIOS IIO Mapping to Motherboard | | | |
|---------------------------------|-----------|------------------------|----------------------------|
| CPU | PCIe Port | Motherboard Connectors | To |
| CPU1 | IOU0 | JPCIE1 and 2 | Additional NVMe |
| | IOU1 | JLUIO2 | RSC-D-6G5 (rear slot) |
| | IOU2 | JAIOM1 | AIOM slot P1 AIOM |
| | IOU3 | JNVME1 to 4 | Four NVMe ports from CPU 1 |
| | IOU4 | M.2-C1 and C2 | Two M.2 80 mm from CPU 1 |
| CPU2 | IOU0 | JAIOM2 | AIOM slot P2-AIOM |
| | IOU1 | JRUIO2 | RSC-DR-6G5 (rear slot) |
| | IOU2 | JPCIE3 and 4 | Additional NVMe |
| | IOU3 | No connection | No connection |
| | IOU4 | JVNME5 to 8 | Four NVMe ports from CPU 2 |

3.11 Cable Routing

Use this section to route or reroute cables. Proper routing is important to maintain airflow through the system.

Cable part numbers and descriptions are available at the Online Cable Matrix on the following page: <https://www.supermicro.com/en/support/resources/cable>.

| Data Cables Routing | | | |
|------------------------------|------------------------|--|------------------|
| No. of Drives | Motherboard Connection | To Backplane | Drive Bay Slot # |
| NVMe, 10 | JNVME1 + JNVME2 | NVME1 | 0–1 |
| | JNVME3 + JNVME4 | NVME2 | 2–3 |
| | JPCIE3 | NVME3 | 4–5 |
| | JNVME5 + JNVME6 | NVME4 | 6–7 |
| | JNVME7 + JNVME8 | NVME5 | 8–9 |
| PCH SATA, 10 | JS1 | CN1 + CN2 | 0–7 |
| | JS2 | CN3 Set backplane jumper JP1 to 2–3 | 8–9 |
| Storage Card SATA/SAS, 10 | CN0 | CN1 + CN2 | 0–7 |
| | CN1 | CN3 Set backplane jumper JP1 to 1–2 | 8–9 |

Note: Bifurcation may need to change in the BIOS settings if cable connections are customized.

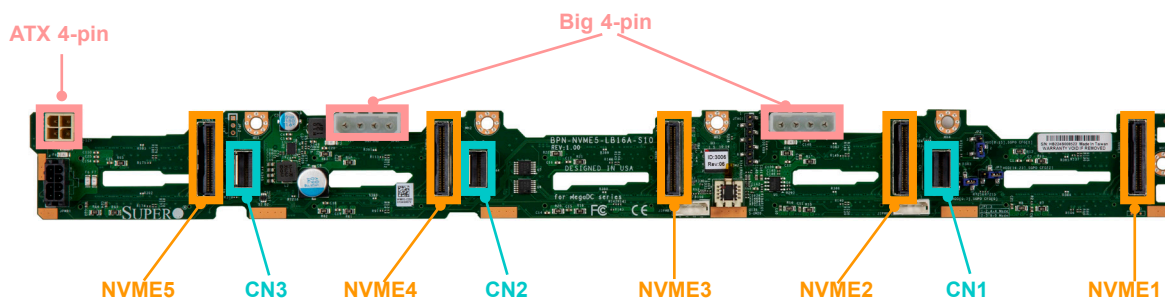


Figure 3-17. Backplane Cable Routing Diagram

Backplane BPN-NVME5-LB16A-S10

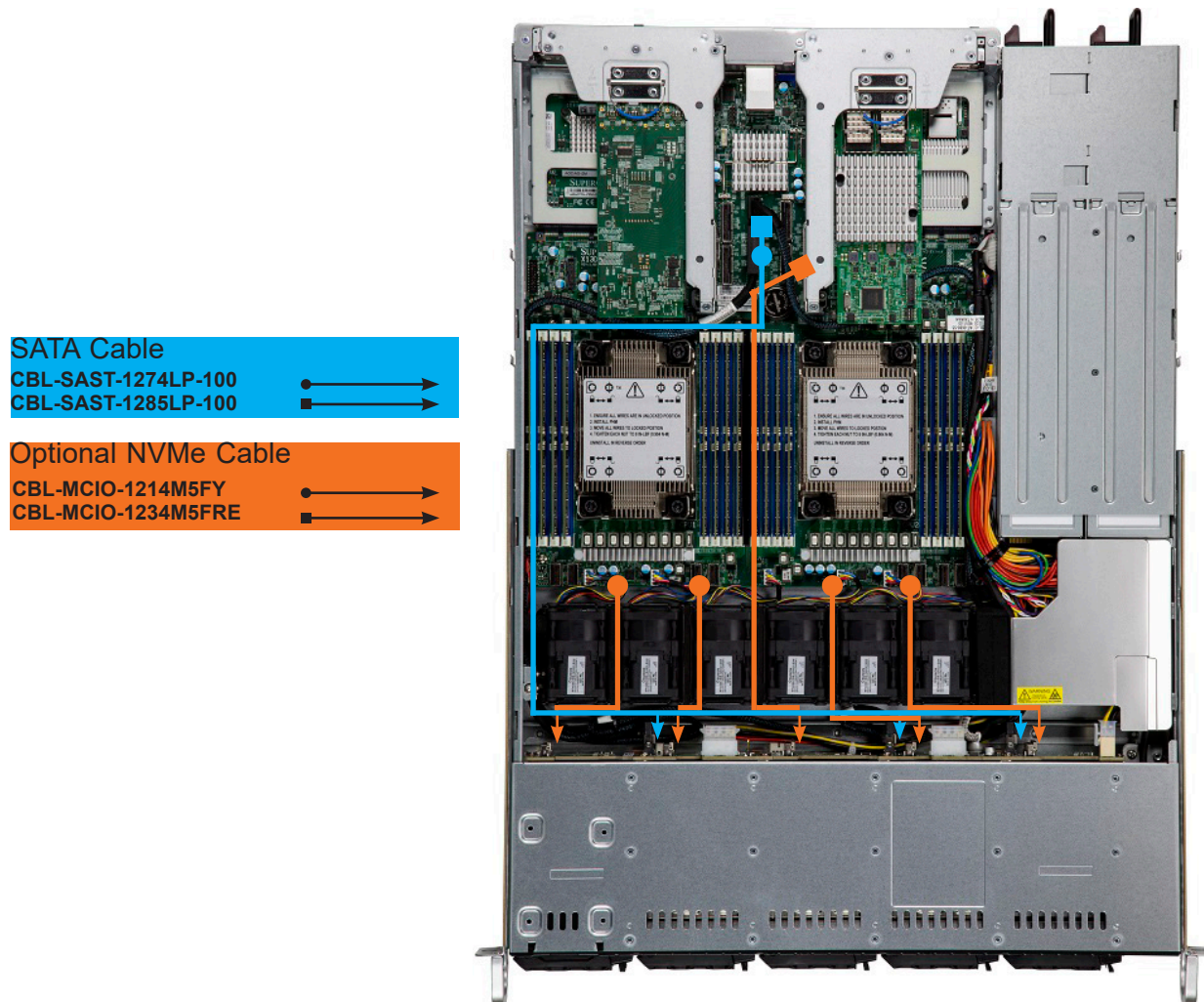


Figure 3-18. Storage Cable Routing Diagram

Note: NVMe cables are routed between the fans. Remove the black foam pads between the fans to install the cables. Alternative cable part numbers are available for certain cables.

Backplane Power Cable, big 4-pin

Front USB Cable, 10-pin

Front Panel Control Cable, 20-pin

Fan Cable, 4-pin

Chassis Intrusion Cable, 2-pin

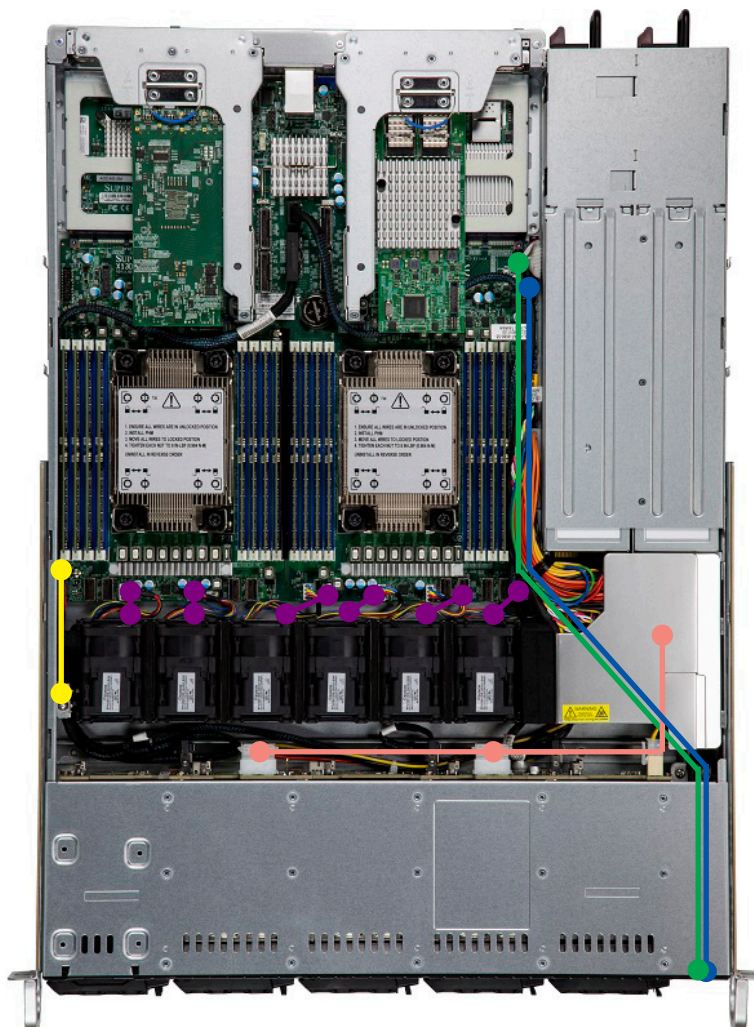


Figure 3-19. Cable Routing Diagram, Non-Storage

Chapter 4

Motherboard Connections

This section describes the jumpers, connections and LEDs on the motherboard and provides pinout definitions. Some connections might not be used in this system. A motherboard layout indicating component locations may be found in Chapter 1. More detail can be found in the motherboard manual: <https://www.supermicro.com/en/products/motherboard/X13DDW-A>.

4.1 Power Connections

Two power connections supply the motherboard and several more supply for onboard devices.

Main Power Connector

The 24-pin power supply connector (JPWR3) meets the ATX SSI EPS 12 V specification. You must also connect the 8-pin 12 VDC power connectors (JPWR1/JPWR2).

Important: To provide adequate power to the motherboard, connect both the main power connector and 8-pin power connectors to the power supply. Failure to do so may void the manufacturer's warranty on your power supply and motherboard.

| ATX Power 24-pin Connector Pin Definitions | | | |
|---|------------|------|------------|
| Pin# | Definition | Pin# | Definition |
| 13 | +3.3 V | 1 | +3.3 V |
| 14 | NC | 2 | +3.3 V |
| 15 | Ground | 3 | Ground |
| 16 | PS_ON | 4 | +5 V |
| 17 | Ground | 5 | Ground |
| 18 | Ground | 6 | +5 V |
| 19 | Ground | 7 | Ground |
| 20 | Res (NC) | 8 | PWR_OK |
| 21 | +5 V | 9 | 5 VSB |
| 22 | +5 V | 10 | +12 V |
| 23 | +5 V | 11 | +12 V |
| 24 | Ground | 12 | +3.3 V |

Required Connection

| 12 V 8-pin Power Pin Definitions | |
|-------------------------------------|------------|
| Pin# | Definition |
| 1–4 | Ground |
| 5–8 | +12 V |

Required Connection

4.2 Headers and Connectors

Fan Headers

There are six fan headers (FAN1–FAN6) on the motherboard. These are 4-pin fan headers, although pins 1–3 are backward compatible with traditional 3-pin fans. Four-pin fans allow fan speeds to be controlled by Thermal Management in the BMC. When using the Thermal Management setting, use all 3-pin fans or all 4-pin fans.

| Fan Header Pin Definitions | |
|-------------------------------|----------------|
| Pin# | Definition |
| 1 | Ground (Black) |
| 2 | +12 V (Red) |
| 3 | Tachometer |
| 4 | PWM Control |

TPM Header

The JTPM1 header is used to connect a Trusted Platform Module (TPM)/Port 80, which is available from Supermicro. A TPM/Port 80 connector is a security device that supports encryption and authentication in hard drives. It allows the motherboard to deny access if the TPM associated with the storage drive is not installed in the system. For more information on the TPM, refer to the following page: <https://www.supermicro.com/manuals/other/TPM.pdf>.

| Trusted Platform Module/Port 80 Header Pin Definitions | | | |
|---|----------------|------|----------------|
| Pin# | Definition | Pin# | Definition |
| 1 | +3.3 V | 2 | SPI_TPM_CS_N |
| 3 | PCI-E_RESET_N# | 4 | SPI_PCH_MISO |
| 5 | SPI_PCH_CLK# | 6 | Ground |
| 7 | SPI_PCH_MOSI | 8 | N/A |
| 9 | JTPM1_P3V3A | 10 | IRQ_TPM_SPIN_N |

Standby Power

The 5 V Standby Power header is located at JSTBY1. You must have a card with a Standby Power connector and a cable to use this feature.

| Standby Power Pin Definitions | |
|----------------------------------|---------------|
| Pin# | Definition |
| 1 | +5 V Standby |
| 2 | Ground |
| 3 | No Connection |

BMC External I²C Header

A System Management Bus 6-pin header for BMC is located at JIPMB1. Connect a cable to this header to use the IPMB I²C connection on your system.

Power SMB (I²C) Header

The Power System Management Bus (I²C) connector (JPI²C1) monitors the power supply, fan, and system temperatures.

| Power SMB Header Pin Definitions | |
|-------------------------------------|-------------|
| Pin# | Definition |
| 1 | Clock |
| 2 | Data |
| 3 | PMBUS_Alert |
| 4 | Ground |
| 5 | +3.3 V |

Chassis Intrusion

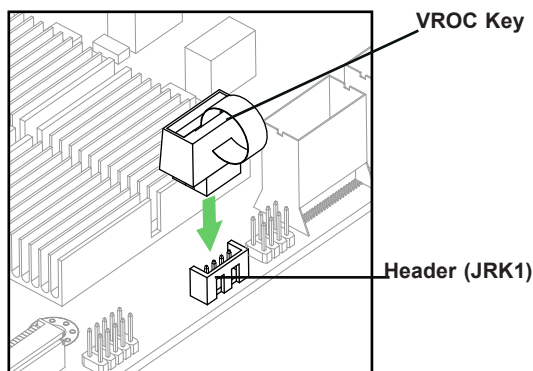
A Chassis Intrusion header is located at JL1. Attach the appropriate cable from the chassis to the header to alert when the chassis is opened.

| Chassis Intrusion Pin Definitions | |
|--------------------------------------|-----------------|
| Pins | Definition |
| 1 | Intrusion Input |
| 2 | Ground |

RAID Key Header

An Intel VROC RAID Key header is located at JRK1. It supports VMD used in creating optional advanced NVMe RAID configurations.

| RAID Key Header Pin Definitions | |
|------------------------------------|--------------|
| Pin# | Definition |
| 1 | Ground |
| 2 | RAID_KEY_PU |
| 3 | Ground |
| 4 | PCH_RAID_KEY |



Note: This drawing is for illustration only. Your motherboard may look different.

M.2 Slots

The motherboard has two M.2 SSD slots, supported by CPU1. They support PCIe 5.0 x4 M.2 NVMe SSDs in the 2280 form factors. Note the mounting holes located at MH10/MH11.

Note: M.2 slots are intended to be used only for boot devices. Write-intensive workloads may result in the SSD overheating.

NCSI Connector

Use the Network Controller SideBand Interface (NCSI) connector, JNSCI1, to connect a Network Interface Controller (NIC) to the motherboard, and allow the onboard Baseboard Management Controller (BMC) to communicate with a network.

Note: For detailed instructions on how to configure Network Interface Card (NIC) settings, please refer to the Network Interface Card Configuration User's Guide posted on the web page under the link: <https://www.supermicro.com/support/manuals/>.

MCIO NVMe Connectors

MCIO NVMe connectors, located at JNVME1–JNVME4 and JNVME5–JNVME8, provide eight PCIe 5.0 x4 or four PCIe 5.0 x8 MCIO NVMe connections on the motherboard. JNVME1–4 connections are supported by CPU1, and JNVME5–8 connections, CPU2. Use these MCIO connectors to support high-speed PCIe NVMe storage devices.

When installing an NVMe device on a motherboard, connect the first NVMe port (JNVME1) first.

Note: This motherboard supports eight 5.0 x4, four 5.0 x8 MCIO NVMe connections, and it also supports up to 12 NVMe connectors if an S12 (12" x 3.5") backplane is used.

SATA 3.0 Ports

Two SATA 3.0 headers, located at JS1 and JS2, support 12 SATA connections (SATA0–7/SATA8–11). These SATA 3.0 ports are supported by the Intel PCH chip.

Control Panel

JF1 contains header pins for the front control panel connections. All JF1 wires have been bundled into a single cable to simplify this connection. Make sure the red wire plugs into pin 1 as marked on the motherboard. The other end connects to the control panel PCB board.

| Front Control Panel (JF1) LED Indicators | | | | | | |
|---|---|------------|--------------|-----------------------------------|-----------------------------------|-------------------|
| Event | Pwr (LED1) | HDD (LED2) | LAN (LED3/4) | UID (LED6) | Info (LED5) | Pwr Fail (LEDPWR) |
| Power On | Solid On | | | | | |
| HDD Activity | | Blinking | | | | |
| NIC Activity | | | Blinking | | | |
| Overheat | | | | | Solid On | |
| Fan Fail | | | | | Blinking 1 Hz | |
| Power Fail | | | | | Blinking 1/4 Hz | Solid On |
| Local UID On | | | | Solid On | | |
| Remote UID On | | | | Blinking 1 Hz | | |
| Checking BMC/BIOS | Blinking at 4 Hz | | | | | |
| Recovering/Updating | BMC Blinking at 4 Hz BMC 2 Blinks at 4 Hz, 1 Pause at 2 Hz (on-on-off-off) | | | BIOS/BMC Blinking at 10 Hz | | |
| Flash Not Detected or Golden Image Check Failed | BMC/BIOS Blinking at 1 Hz | | | | | |
| CPLD Recovery Mode | | | | Blinking at 10 Hz (MB UID LED) | Blinking at 10 Hz (FP Red LED) | |

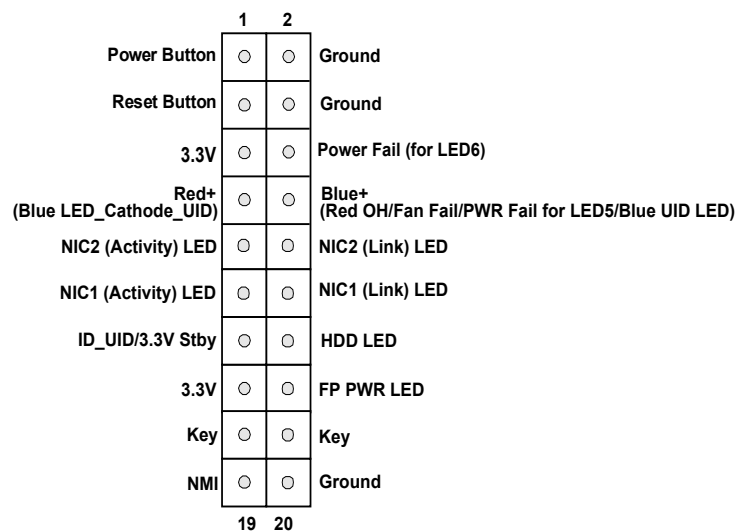


Figure 4-1. JF1 Pines for Control Panel

Power Button

The Power On and BMC/BIOS Status LED button is located on Pin 1 and Pin 2 of JF1. Momentarily contacting both pins will power on/off the system or display BMC/BIOS status.

| Power Button LED Indicator Status | |
|---|--|
| Status | Event |
| Green: solid on | System power on |
| Blinking green at 4 Hz | BMC/BIOS checking |
| Blinking green at 4 Hz | BIOS recovery/update in progress |
| Blinking red x2 (2 blinks red) at 4 Hz, 1 pause at 2 Hz (on-on-off-off) | BMC recovery/update in progress |
| Blinking green at 1 Hz | BMC/BIOS flash not detected or golden image checking failure |

Reset Button

The Reset Button connection is located on pins 3 and 4. Momentarily contacting both pins will reset the system.

Power Fail LED

The Power Fail LED connection is located on pins 5 and 6.

Information LED (OH/Fan Fail/PWR Fail/UID LED)

The Information LED (OH/Fan Fail/PWR Fail/UID LED) connection is located on Pin 7 and Pin 8. The LED on Pin 7 is active when the UID button (JUIDB1) on the rear I/O panel is pressed. The LED on Pin 8 provides warnings of overheat, power failure, or fan failure. The LED is described in Chapter 1.

NIC1/NIC2 (LAN1/LAN2)

The NIC (Network Interface Controller) LED connection for LAN port 1 is located on pins 11 and 12, and the LED connection for LAN port 2 is on pins 9 and 10.

HDD LED/UID Switch

The HDD LED/UID Switch connection is located on pins 13 and 14. UID is used for a chassis that supports a front UID Button. The front UID Button functions in the same way as the rear UID Button; both are for input only and cannot be used for output. When this LED is blinking green, it indicates storage is active. Attach a cable to Pin 13 and Pin 14 to show ID_UID status and storage drive activity.

Power LED

The Power LED connection is located on pins 15 and 16.

NMI Button

The non-maskable interrupt button header is located on pins 19 and 20.

4.3 Input/Output Ports

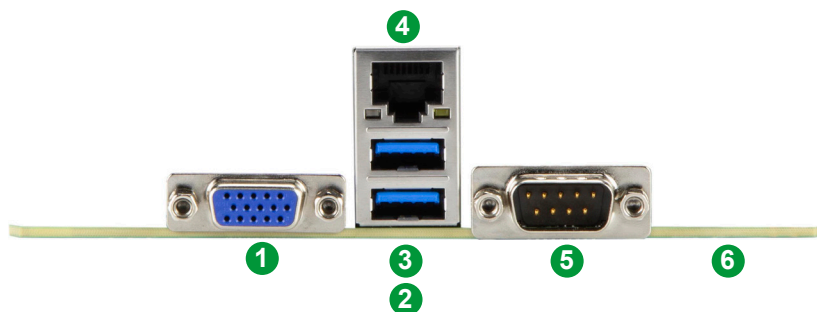


Figure 4-2. Rear I/O Ports

| Rear I/O Ports | | | |
|----------------|-------------|---|-------------------|
| # | Description | # | Description |
| 1 | VGA | 4 | Dedicated BMC LAN |
| 2 | USB (3.0) | 5 | COM Port |
| 3 | USB (3.0) | 6 | UID Switch |

LAN Ports

There is a dedicated BMC LAN port on the I/O back panel.

There can also be two or more network LAN ports depending on the AIOM you purchased.

Unit Identifier Switch/UID LED Indicator

A Unit Identifier (UID) switch and a UID LED indicator are located on the rear of the system. When you press the UID switch, both front and rear UID LED indicators are toggled on or off. The UID can also be triggered using the BMC. The UID indicators provide easy identification of a system in a rack.

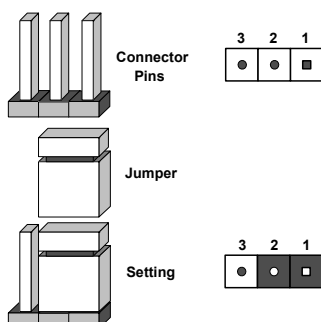
The same switch can be used to reset the BMC; for details, refer to Sections 4.4 and 7.8 in this manual.

4.4 Jumpers

Explanation of Jumpers

To modify the operation of the motherboard, jumpers are used to choose between optional settings. Jumpers create shorts between two pins to change the function associated with it. Pin 1 is identified with a square solder pad on the printed circuit board. See the motherboard layout page for jumper locations.

Note: On a two-pin jumper, "Closed" means the jumper is on both pins and "Open" indicates the jumper is either on only one pin or has been completely removed.



CMOS Clear

JBT1 is used to clear CMOS. For details, refer to Section 7.7 in this manual.

UID and System Reset Button Select Jumper

Jumper JRU1 is used to configure the function of the Control Panel UID button (Pin 2 of JFP1). To set the button to toggle the UID LEDs (in a chassis that supports front UID), close Pins 2 and 3 of jumper JRU1. To set the button to reset the BMC, close Pins 1 and 2 of jumper JRU1.

| Front UID Switch/BMC Reset Button Select Jumper (JRU1) Jumper Settings | |
|---|------------------------------|
| State | Description |
| Close Pin 1 and Pin 2 | Button BMC reset support |
| Close Pin 2 and Pin 3 | Button UID support (Default) |

4.5 LED Indicators

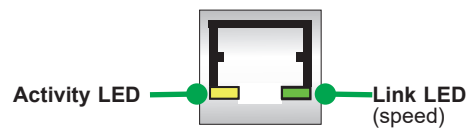
Network LAN LEDs

The Ethernet ports each have two LEDs. One LED indicates activity when flashing green. The other may be green, amber or off to indicate the speed of the connection.

BMC-Dedicated LAN LEDs

A dedicated BMC LAN port provided a connection to the BMC. The Link LED indicates the speed of the connection. The other LED indicates activity.

| BMC Link LED | |
|--------------|---------------|
| Color | Definition |
| Off | No Connection |
| Green | 100 Mb/s |
| Amber | 1 Gb/s |



Unit ID LED

A rear unit identifier (UID) indicator at LE6 is located near the UID switch on the I/O back panel. It provides easy identification of a unit that may need service.

Onboard Power LED

The Onboard Power LED is LEDPWR. When this LED is on, the system power is connected.

BMC Heartbeat LED

LEDM1 is the BMC heartbeat LED. When the LED is blinking green, BMC is functioning normally. When the LED is solid green, the BMC is resetting.

M.2 Heartbeat LEDs

When LE4 and LE7 are blinking, M.2-C1 and M.2-C2, respectively, are functioning normally.

Chapter 5

Software

After the hardware has been installed, you can install the Operating System (OS), configure RAID settings and install the drivers.

5.1 Microsoft Windows OS Installation

If you will be using RAID, you must configure RAID settings before installing the Windows OS and the RAID driver. Refer to the RAID Configuration User Guides posted on our website at <https://www.supermicro.com/support/manuals/>.

Installing the OS

1. Create a method to access the MS Windows installation ISO file. That can be a USB flash or media drive.
2. Boot from a bootable device with Windows OS installation. You can see a bootable device list by pressing **F11** during the system startup.

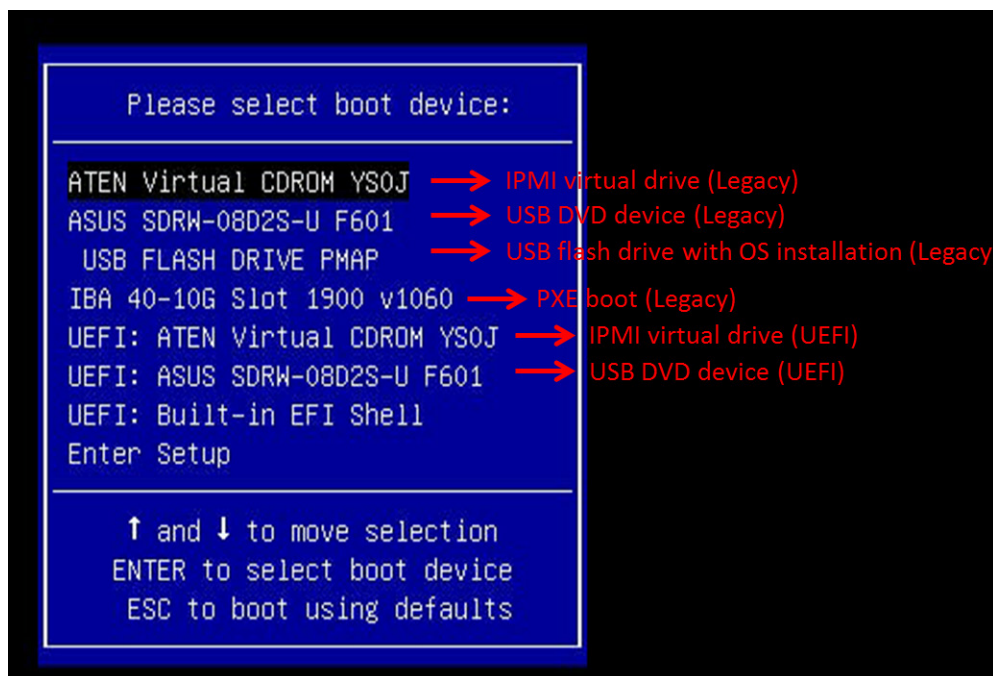


Figure 5-1. Select Boot Device

3. During Windows Setup, continue to the dialog where you select the drives on which to install Windows. If the disk you want to use is not listed, click the “Load driver” link at the bottom left corner.

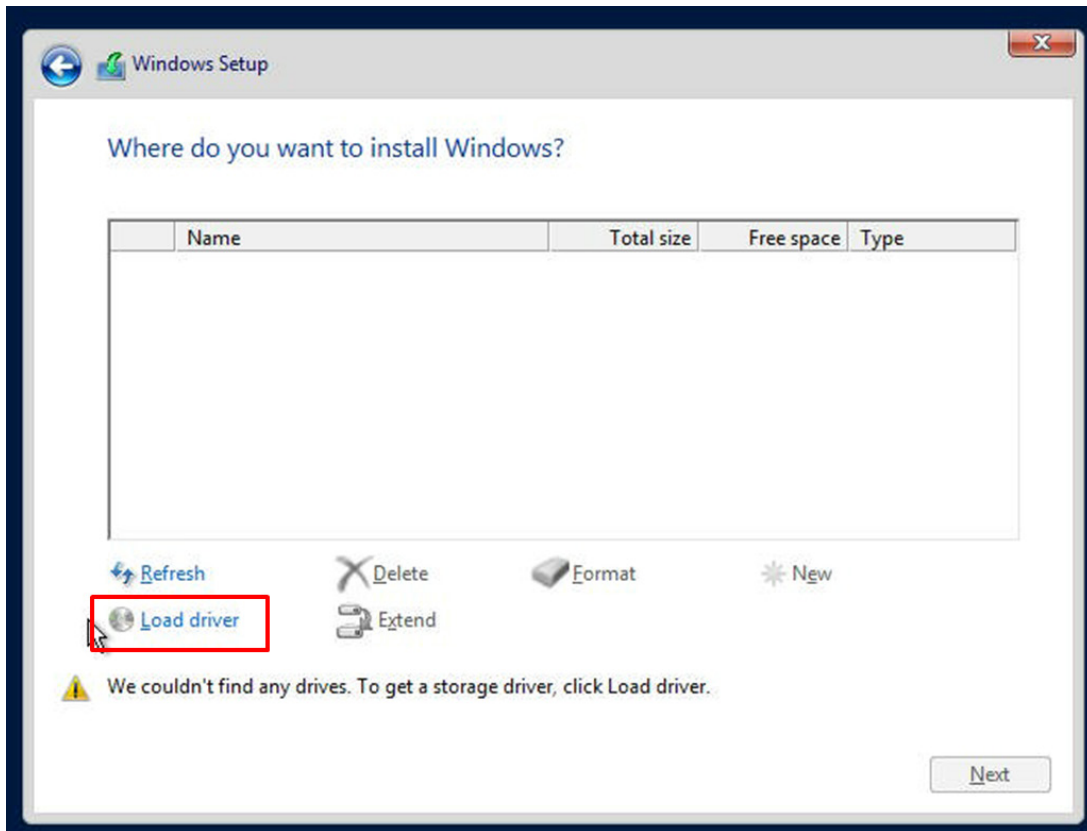


Figure 5-2. Load Driver Link

To load the driver, browse the USB flash drive for the proper driver files.

- For RAID, choose the SATA/sSATA RAID driver indicated then choose the storage drive on which you want to install it.
 - For non-RAID, choose the SATA/sSATA AHCI driver indicated then choose the storage drive on which you want to install it.
4. Once all devices are specified, continue with the installation.
 5. After the Windows OS installation has completed, the system will automatically reboot multiple times.

5.2 Driver Installation

The Supermicro website contains drivers and utilities for your system at <https://www.supermicro.com/wdl/driver>. Some of these must be installed, such as the chipset driver.

After accessing the website, go into the CDR_Images (in the parent directory of the above link) and locate the ISO file for your motherboard. Download this file to a USB flash or media drive. You may also use a utility to extract the ISO file if preferred.

Another option is to go to the Supermicro website at <https://www.supermicro.com/products/>. Find the product page for your motherboard, and "Download the Latest Drivers and Utilities".

Insert the flash drive or disk and the screenshot shown below should appear.

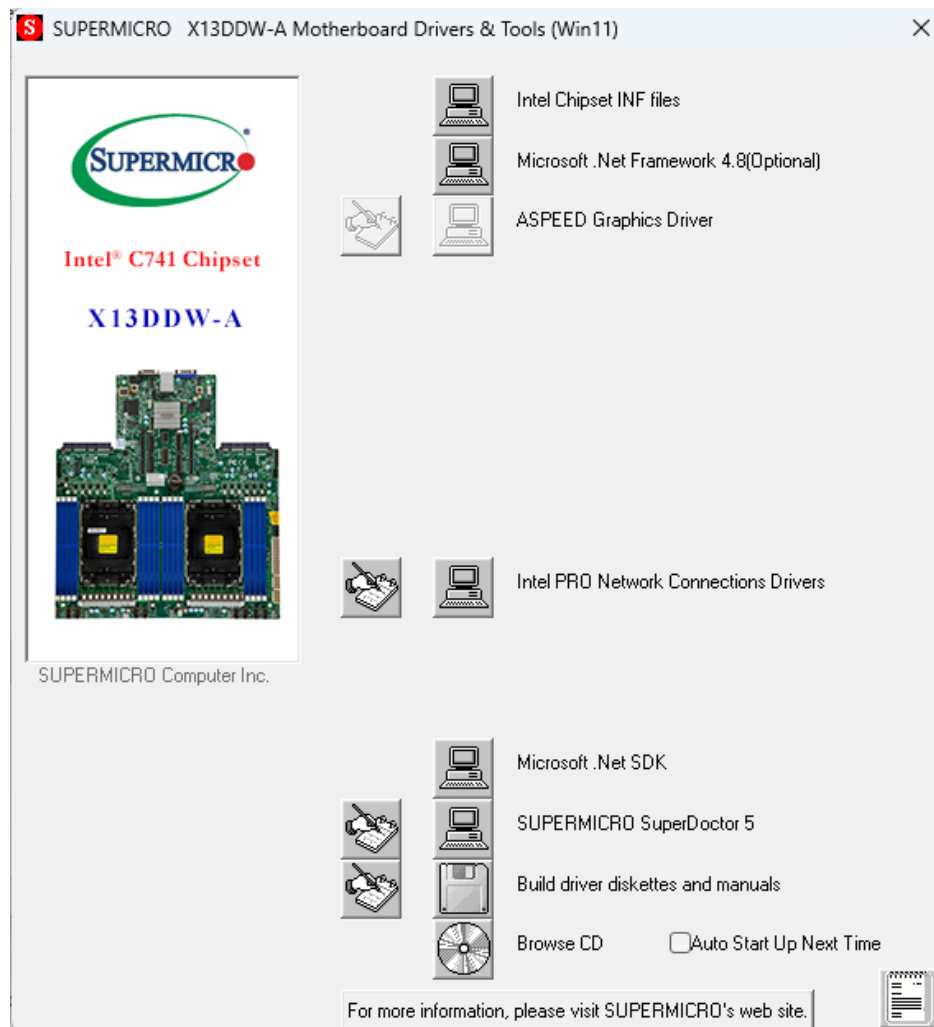


Figure 5-3. Driver & Tool Installation Screen

Note: Click the icons showing a hand writing on paper to view the readme files for each item. Click the computer icons to the right of these items to install each item (from top to the bottom) one at a time. **After installing each item, you must reboot the system before moving on to the next item on the list.** The bottom icon with a CD on it allows you to view the entire contents.

5.3 BMC

The motherboard provides remote access, monitoring and management through the baseboard management controller (BMC) and other management controllers distributed among different system modules. There are several BIOS settings that are related to BMC. For general documentation and information on BMC, visit our website at:

<https://www.supermicro.com/en/solutions/management-software/bmc-resources>

BMC ADMIN User Password

For security, each system is assigned a unique default BMC password for the ADMIN user. This can be found on a sticker on the chassis and a sticker on the motherboard. The sticker also displays the BMC MAC address.



Figure 5-4. BMC Password Label

See Chapter 1 for the locations of the labels.

Chapter 6

Optional Components

This chapter describes optional system components and installation procedures.

| Optional Parts |
|----------------------------------|
| Storage Control Cards |
| GPU Support |
| Cable Management Arm |
| TPM Security Module |
| Intel Virtual RAID on CPU (VROC) |

6.1 Storage Control Cards

Supermicro offers controller cards for some storage options. Refer to the following system web page for a list of configurable RAID & HBA cards and associated cables:

<https://www.supermicro.com/en/products/system/Cloud/1U/SYS-121C-TN10R>.

Storage Protocols Supported

The storage drive bays can support SATA, SAS, and NVMe.

SATA: Additional cables are required.

SAS: An add-on controller card can support SAS (or SATA) drives. Additional cables are required.

NVMe: Additional cables are required.

6.2 GPU Support

Only single-width, half-length GPUs are supported. Installation is the same as for PCIe expansion cards.

| GPU Support | |
|-------------|--|
| Quantity | Two single-width, half-length, full-height. |
| Conditions | GPU support conditions depend on CPU TDP and server configuration. Please check the GPU matrix on the product page or contact Supermicro representative for details. |

6.3 Cable Management Arm

The system supports a cable management arm (CMA), which keeps the rear cables organized and clear of the rail mechanisms when the system is extended out the front of the rack for maintenance.

The CMA attaches to the rack mounting rails by means of four connectors. They are labeled on the connectors 1, 2, 3, and 4.

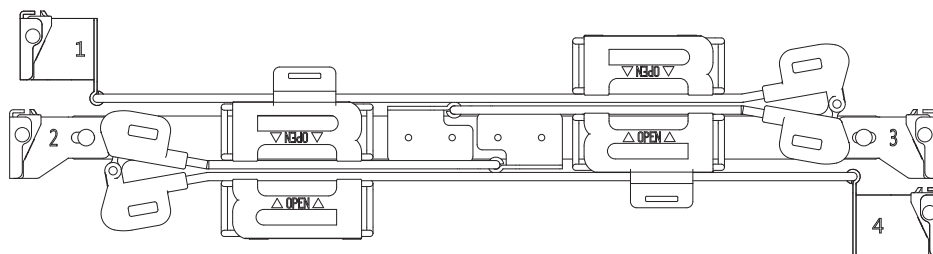


Figure 6-1. Cable Management Arm

Installing the Cable Management Arm

1. Slide CMA connector #1 forward onto the two posts on the rear of the right *inner* rail (right side when viewed from the front). It snaps into place.
2. Slide CMA connector #2 forward onto the two posts on the rear of the right *middle* rail. It snaps into place.

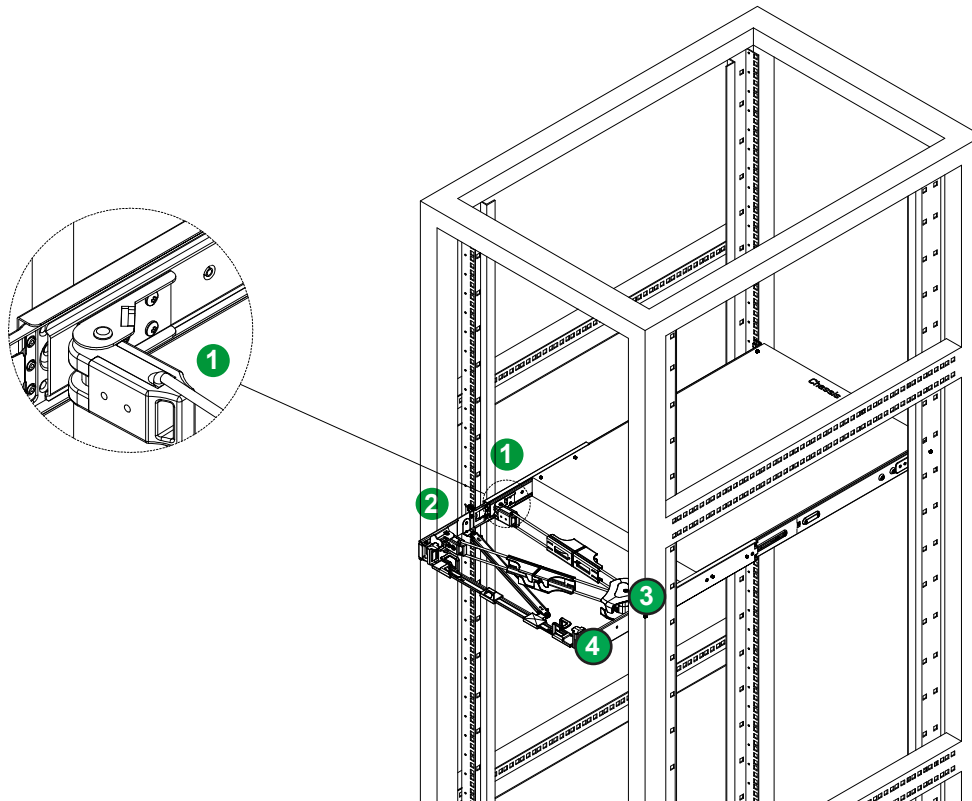


Figure 6-2. Installing the Connectors

3. Slide CMA connector #3 forward onto the two posts on the rear of the left middle rail. It snaps into place.
4. For CMA connector #4, align the metal tabs with the slots on the rear of the left outer rail and push it forward. It snaps into place.
5. Route the cables through the holding brackets, leaving enough slack.

Removing the Cable Management Arm

1. Remove cables from the CMA.
2. For CMA connector #4, pull the metal release tab toward the center of the rack and slide the connector toward the rear to release it.
3. For CMA connectors #3, #2, and #1, depress the front edge of the yellow plastic rocker lock, and slide the connector toward the rear to release it.

6.4 TPM Security Module

SPI capable TPM 2.0 with Infineon 9670 or 9672 controller, horizontal form factor.

The JTPM1 header is used to connect a Trusted Platform Module (TPM). A TPM is a security device that supports encryption and authentication in hard drives. It enables the motherboard to deny access if the TPM associated with the hard drive is not installed in the system.

TPM details and installation procedures: <https://www.supermicro.com/manuals/other/TPM.pdf>

- AOM-TPM-9670V
- AOM-TPM-9672V

6.5 Intel Virtual RAID on CPU (VROC)

Intel® Virtual RAID on CPU (Intel VROC) is an enterprise RAID solution for NVMe SSDs directly attached to Intel Xeon Scalable processors. Intel Volume Management Device (VMD) is an integrated controller inside the CPU PCIe root complex.

- A single processor supports up to 12 NVMe SSDs and up to 6 RAID arrays.
- A dual processor system supports up to 24 NVMe SSDs and 12 RAID arrays.

Stripe sizes are 4K, 8K, 16K, 32K, 64K, 128K.

Requirements and Restrictions

- **Intel VROC is only available when the system is configured for UEFI boot mode.**
- To enable the **mdadm** command and support for RSTe, install the patch from:
 - Linux: <https://downloadcenter.intel.com/download/28158/Intel-Virtual-RAID-on-CPU-Intel-VROC-and-Intel-Rapid-Storage-Technology-enterprise-Intel-RSTe-Driver-for-Linux->
 - Windows: <https://downloadcenter.intel.com/download/28108/Intel-Virtual-RAID-on-CPU-Intel-VROC-and-Intel-Rapid-Storage-Technology-enterprise-Intel-RSTe-Driver-for-Windows->
- To enable Intel VROC, a hardware key must be inserted on the motherboard, and the appropriate processor's Virtual Management Devices must be enabled in the BIOS setup.
- It is possible to enable Intel VROC without a hardware key installed, but only RAID0 will be enabled.
- Intel VROC is not compatible with secure boot. This feature must be disabled.
- When creating bootable OS RAID1 devices, you must have both devices on the same CPU, and a VMD on that CPU.
- Spanning drives when creating RAID devices is not recommended due to performance issues, even though it is supported.

Supported SSDs and Operating Systems

To see the latest support information, refer to the following page: <https://www.intel.com/content/www/us/en/support/articles/000030310/memory-and-storage/ssd-software.html>

Additional Information

Additional information is available on the product page for the Supermicro add-on card and the linked manuals:

<https://www.supermicro.com/en/products/accessories/addon/AOC-VROCxxxMOD.cfm>

Hardware Key

The Intel VROC hardware key is a license key that detects the Intel VROC SKU and activates the function accordingly. The key must be plugged into the Supermicro motherboard (connector JRK1). The key options are:

| Intel® VROC Keys | | | |
|------------------|--|----------------|-----------------|
| VROC Package | Description | Part Number | Intel MM Number |
| Standard | RAID 0, 1, 10 Supports 3rd party SSDs | AOC-VROCSTNMOD | 951605 |
| Premium | RAID 0, 1, 5, 10 Supports 3rd party SSDs | AOC-VROCPREMOD | 951606 |
| Intel SSD only | RAID 0, 1, 5, 10 Supports Intel SSDs only | AOC-VROCINTMOD | 956822 |

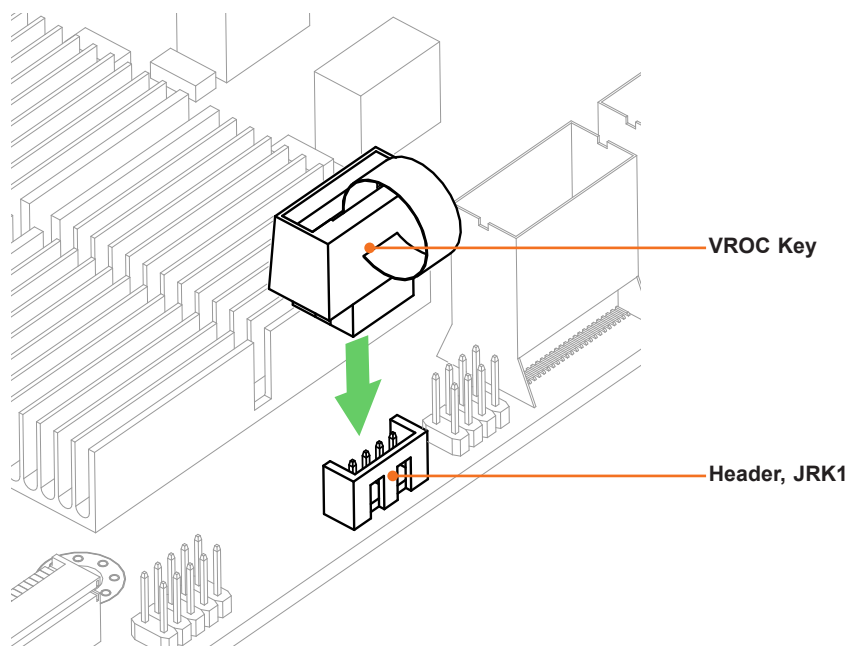


Figure 6-3. Intel VROC RAID Key and Motherboard Connector JRK1

Configuring Intel VMD

VMD must be enabled on PCIe ports which have NVMe drives attached to them in order for those drives to be added to a VROC RAID configuration. The default BIOS setting for the NVMe Mode Switch is **Auto** which automatically enables VMD on all installed NVMe drives.

NVMe Mode Switch:

- **Auto** Enables VMD for all NVMe ports if VROC Key is installed.
- **VMD** Enables VMD for all NVMe ports despite the lack of the VROC Key.
- **Manual** Allows the user to select specific NVMe ports on which to enable VMD.

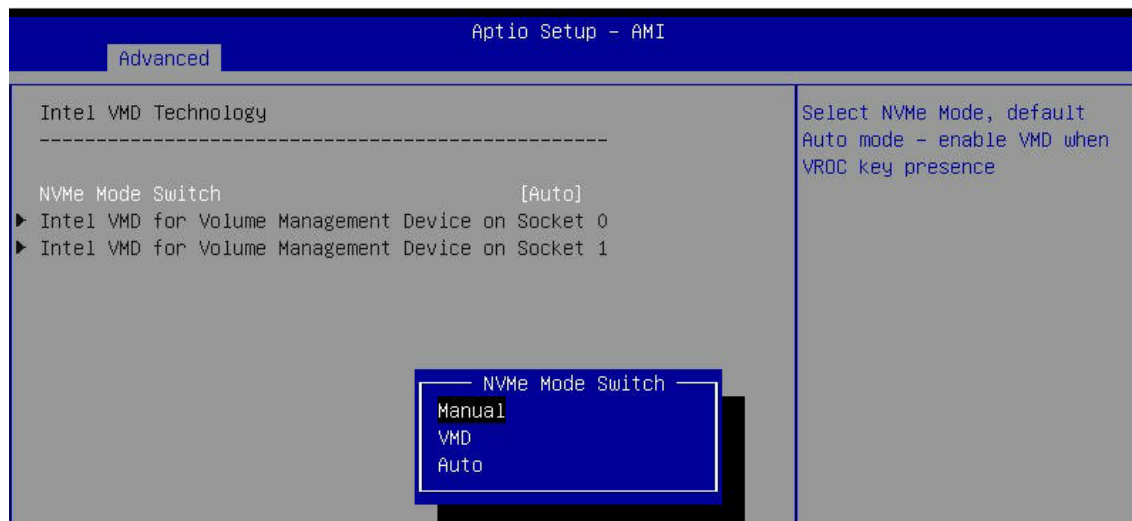
The NVMe Mode Switch can be viewed or selected at **BIOS > Advanced > Chipset Configuration > North Bridge > IIO Configuration > Intel® VMD Technology**.

Note: Without a VROC Key, there is no RAID support with the **Auto** switch. Only RAID 0 is supported with the **VMD** and **Manual** switches.

Configuring VMD Manually

The steps for manually configuring VMD on specific NVMe ports in UEFI BIOS are shown below. This example shows different but similar system with 12 NVMe. Yours will look different.

1. Reboot the server and press [DEL] key to access the BIOS options.
2. Switch to **Advanced > Chipset Configuration > North Bridge > IIO Configuration > Intel® VMD Technology**.
3. Select **VMD Mode Switch**, then select **Manual**.



Note that Socket 0 contains CPU1; Socket 1 contains CPU2.

Figure 6-4. BIOS, Selecting VMD Mode

Caution: VMD must only be enabled on NVMe port resources. If VMD is enabled on other PCIe ports, the functionality of those ports will be impacted. See the table below.

4. Select “Intel VMD for Volume Management Device on” on Socket 0 (CPU1) or Socket 2 (CPU2) to enable VMD for devices under the respective CPU.

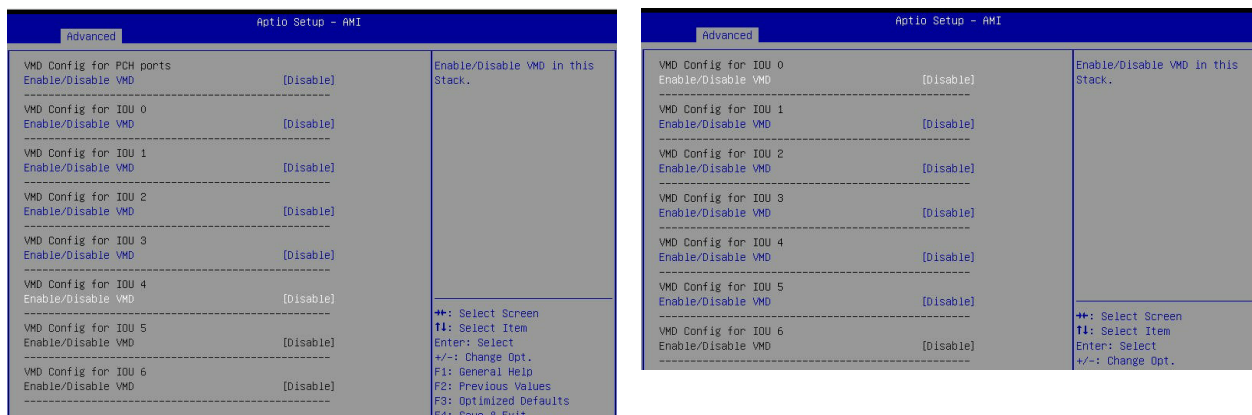


Figure 6-5. Intel VMD for Volume Management Device on Socket 0 and Socket 1

5. Choose Enable for “Enable/Disable VMD” for IOU 3 to list the available devices under IOU 3.

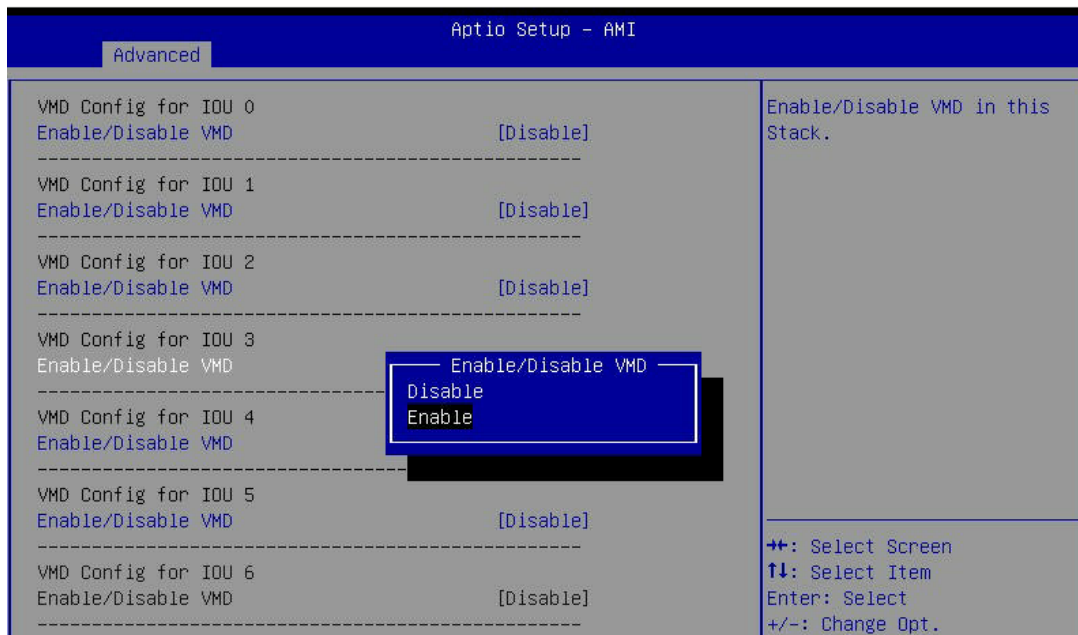


Figure 6-6. BIOS, Enabling VMD on Socket 1 (CPU2) (Example)

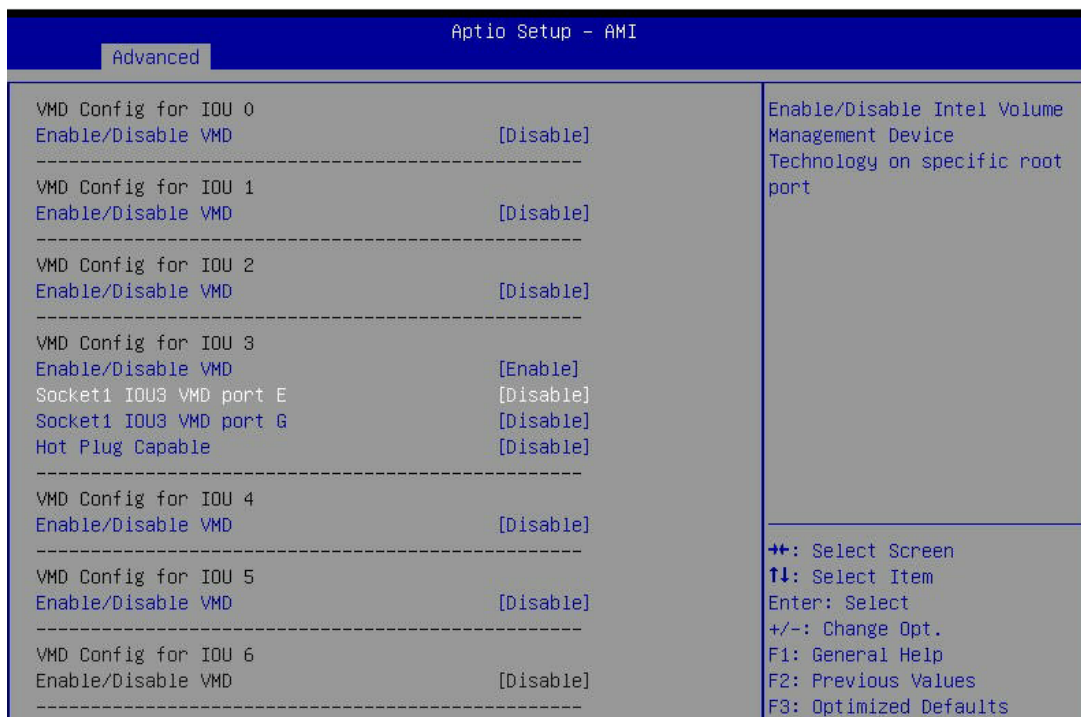


Figure 6-7. BIOS, Enabling VMD on Socket 1 (Example)

6. Enable the NVMe port resource according to table above for the NVMe drives that will be used in a RAID configuration.

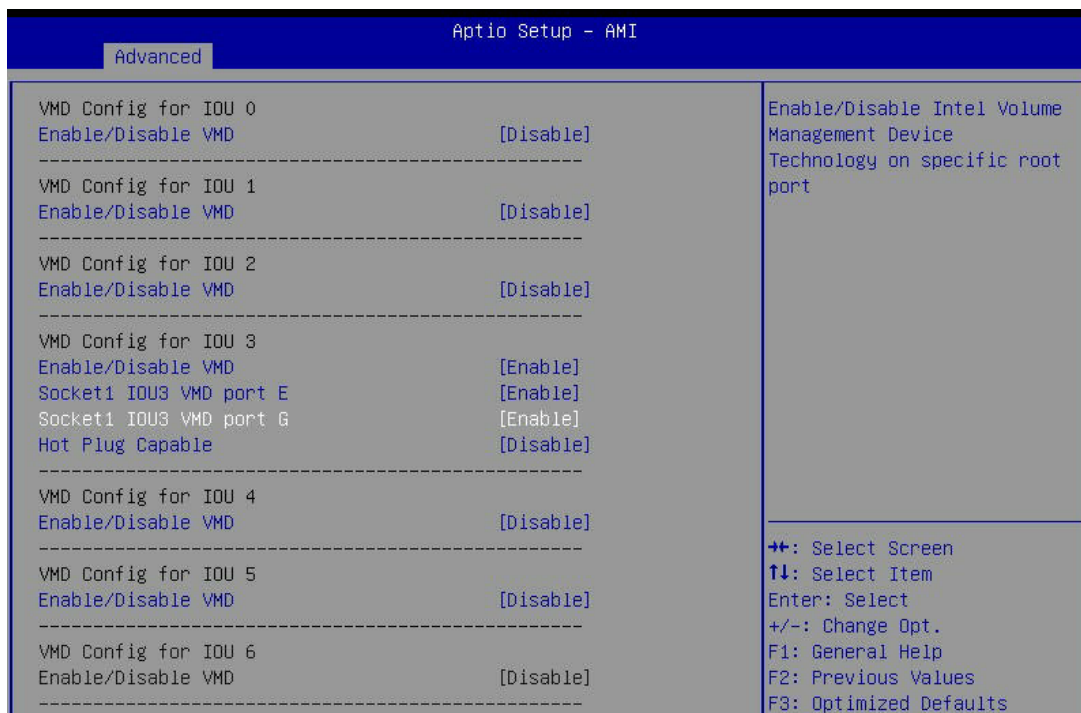


Figure 6-8. BIOS, Enabling Socket 1 (Example)

7. Choose whether to make the NVMe drives in this IOU **Hot Plug Capable** by selecting Enabled or Disabled.
8. Repeat steps 4 through 7 for each IOU # on each CPU to enable VMD on the desired NVMe ports.

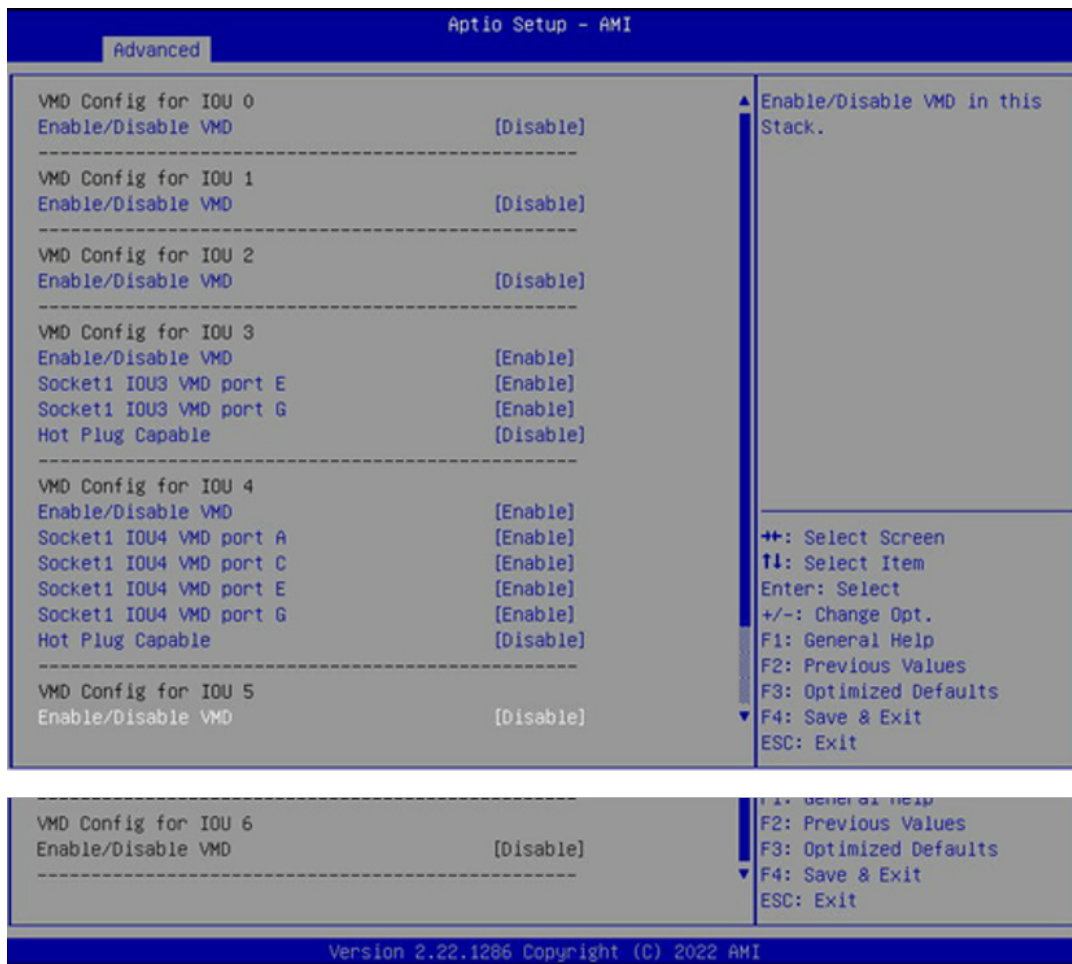


Figure 6-9. BIOS, Enabling Socket 1 Completed (Example)

(This example shows SYS-621H-TN12R with 12 NVMe. Other systems will look different.)

9. Press [F4] to save the configuration and reboot the system.

Note: If there is an existing RAID configuration, delete the RAID volume associated with the VMD controller before disabling the controller. Failure to do so may lead to unexpected behavior.

Note: The effects of physically changing or swapping a CPU on the VMD controller have not been thoroughly tested or documented.

Creating NVMe RAID Configurations

1. Open **Advanced > Intel(R) Virtual RAID on CPU > All Intel VMD Controllers > Create RAID Volume**.

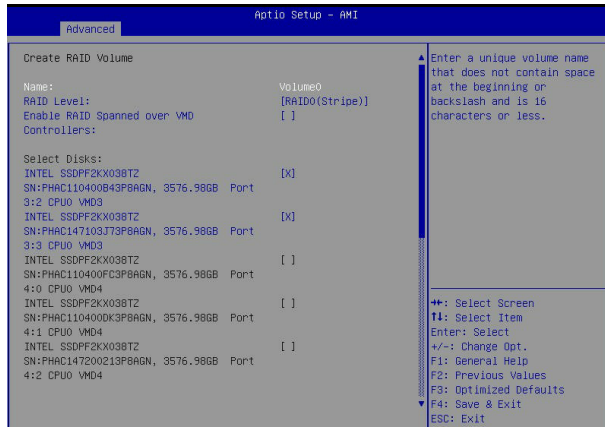


Figure 6-10. Created Volume *without* enabling RAID spanned over VMD controller

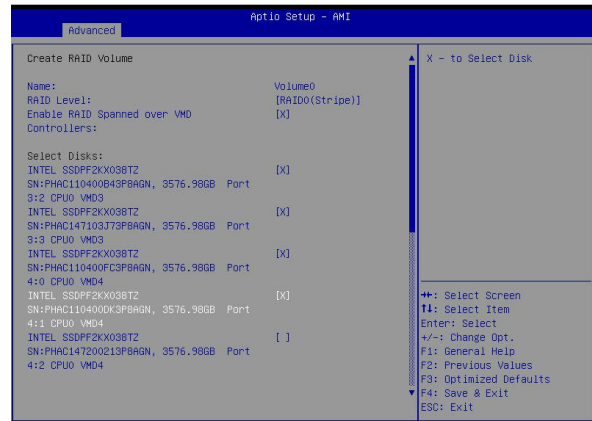


Figure 6-11. Created Volume *with* enabling RAID spanned over VMD controller

2. Set **Name**.
3. Set **RAID Level**.
4. If cross-controller RAID is required, select **Enable RAID spanned over VMD Controller**.
5. Select specific disks for RAID with an [X].
 - RAID0: Select at least two [2–24] disks
 - RAID1: Select only two disks
 - RAID5: Select at least three [3–24] disks
 - RAID10: Select only four disks
6. Select **Strip Size** (Default 64 KB).
7. Select **Create Volume**.
8. If another RAID is needed, start again at step 1.

Status Indications

An LED indicator on the drive carrier shows the RAID status of the drive.

| Drive Carrier Status LED Indicator | |
|------------------------------------|---------------|
| Status | State (red) |
| Normal function | Off |
| Locating | 4 Hz Blinking |
| Fault | Solid On |
| Rebuilding | 1 Hz Blinking |

IBPI SFF 8489 Defined Status LED States

Hot-Swap Drives

Intel VMD enables hot-plug and hot-unplug for NVMe SSDs, whether from Intel or other manufacturers. Under vSphere ESXi, several steps are necessary to avoid potential stability issues. See the information at the link [1] below.

Hot-unplug

1. Prevent devices from being re-detected during rescan:

```
esxcli storage core claiming autoclaim --enabled=false
```

2. Unmount the VMFS volumes on the device. Check [2] for details.
3. Detach the device. Check [3] for details.
4. Physically remove the device.

Hot-plug

- Physically install the device.

ESXi will automatically discover NVMe SSDs, but a manual scan may be required in some cases.

Related Information Links

[1] <https://kb.vmware.com/s/article/2151404>

[2] <https://docs.vmware.com/en/VMware-vSphere/6.5/com.vmware.vsphere.storage.doc/GUID-1B56EF97-F60E-4F21-82A7-8F2A7294604D.html>

[3] <https://docs.vmware.com/en/VMware-vSphere/6.5/com.vmware.vsphere.storage.doc/GUID-F2E75F67-740B-4406-9F0C-A2D99A698F2A.html>

Chapter 7

Troubleshooting and Support

7.1 Information Resources

Website

A great deal of information is available on the Supermicro website. From the top menu of the Supermicro home page at <https://www.supermicro.com>:

- Specifications for servers and other hardware are available by clicking **Products**.
- The **Support** option offers downloads (manuals, BIOS/BMC, drivers, etc.), FAQs, RMA, warranty, and other service extensions.

Direct Links for the SYS-121C-TN10R System

System specifications page:

<https://www.supermicro.com/en/products/system/Cloud/1U/SYS-121C-TN10R>

Motherboard page for links to the Quick Reference Guide, User Manual, validated storage drives, etc: <https://www.supermicro.com/en/products/motherboard/X13DDW-A>

Direct Links for General Support and Information

Frequently Asked Questions: <https://www.supermicro.com/FAQ/index.php>

Add-on card descriptions <https://www.supermicro.com/UIO/>

TPM User Guide: <https://www.supermicro.com/manuals/other/TPM.pdf>

General Memory Configuration Guide: https://www.supermicro.com/support/resources/memory/X13_memory_config_guide.pdf

BMC User Guide: https://www.supermicro.com/manuals/other/BMC_Users_Guide_X12_H12.pdf

SuperDoctor5 Large Deployment Guide: https://www.supermicro.com/manuals/other/UserGuide_Large_Deployment_of_SD5_on_Windows.pdf

Product Resources Page for validated memory: <https://www.supermicro.com/support/resources/mem.cfm>

Product Matrices page: links to summary tables for systems, motherboards, power supplies, riser cards, add-on cards, etc: <https://www.supermicro.com/en/support/product-matrices>

Security Center for recent notices: https://www.supermicro.com/en/support/security_center

Supermicro phone and addresses at <https://www.supermicro.com/en/about/contact>

7.2 BMC Interface

The system supports a Baseboard Management Controller (BMC) interface. It provides remote access, monitoring and management. There are several BIOS settings related to the BMC.

For general documentation and information on the BMC, please visit our website at: https://www.supermicro.com/manuals/other/BMC_Users_Guide_X13.pdf.

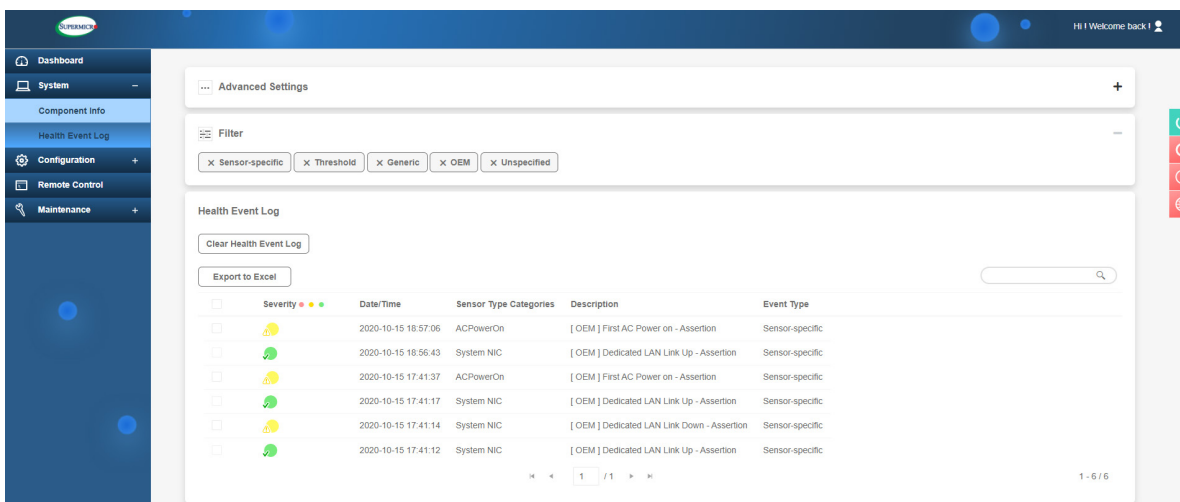


Figure 7-2. BMC Dashboard Sample

7.3 Troubleshooting Procedures

Use the following procedures to troubleshoot your system. If you have followed all of the procedures below and still need assistance, refer to Section 7.10 in this chapter. Power down the system as described in Section 3.1 in this manual before changing any non hot-swap hardware components.

General Technique

If you experience unstable operation or get no boot response, try:

1. With power off, remove all but one DIMM and other added components, such as add-on cards, from the motherboard. Make sure the motherboard is not shorted to the chassis.
2. Set all jumpers to their default positions.
3. Power up. If the system boots, check for memory errors and add-on card problems.

No Power

- Check that the power LED on the motherboard is on.

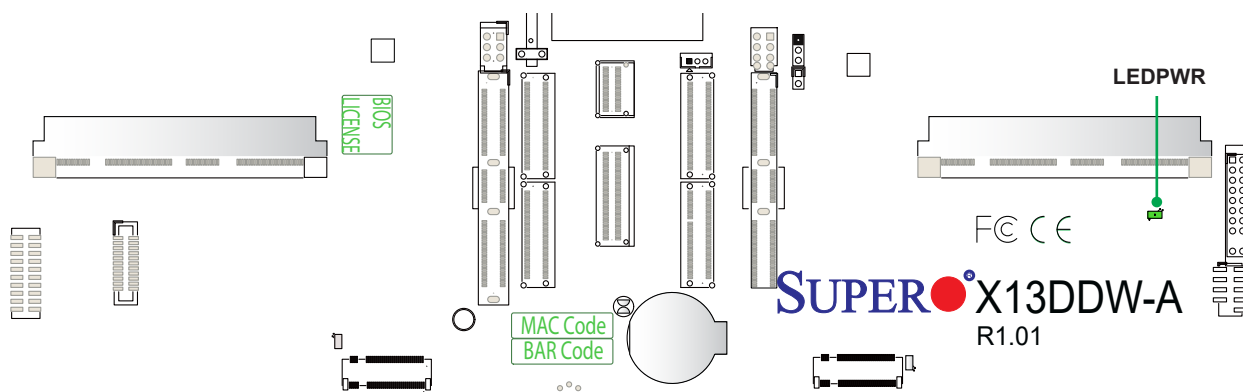


Figure 7-3. Location of the MB Power LED

- Make sure that the power connector is connected to the power supply.
- Check that the motherboard battery still supplies approximately 3 VDC. If it does not, replace it.
- Check that the system input voltage is 100–120 V or 180–240 V.
- Turn the power switch on and off to test the system.

No Video

If the power is on but you have no video, remove all add-on cards and cables.

System Boot Failure

If the system does not display Power-On-Self-Test (POST) or does not respond after the power is turned on, try the following:

- Turn on the system with only one DIMM module installed. If the system boots, check for bad DIMM modules or slots by following the Memory Errors Troubleshooting procedure below.

Memory Errors

- Make sure that the DIMM modules are properly and fully installed.
- Confirm that you are using the correct memory. Also, it is recommended that you use the same memory type and speed for all DIMMs in the system. See Section 3.3 for memory details.
- Check for bad DIMM modules or slots by swapping modules between slots and noting the results.

Losing the System Setup Configuration

- Always replace power supplies with the exact same model that came with the system. A poor quality power supply may cause the system to lose the CMOS setup configuration.
- Check that the motherboard battery still supplies approximately 3 VDC. If it does not, replace it.

If the above steps do not fix the setup configuration problem, contact your vendor for repairs.

When the System Becomes Unstable

If the system becomes unstable during or after OS installation, check the following:

- CPU/BIOS support: Make sure that your CPU is supported and that you have the latest BIOS installed in your system.
- Memory: Make sure that the memory modules are supported. Refer to the system product page at <https://www.supermicro.com/en/products/system/Cloud/1U/SYS-121C-TN10R>. Test the modules using **memtest86** or a similar utility.
- Storage drives: Make sure that all drives work properly. Replace if necessary.

- System cooling: Check that all heatsink fans and system fans work properly. Check the hardware monitoring settings in the BMC to make sure that the CPU and system temperatures are within the normal range. Also check the Control panel Overheat LED.
- Adequate power supply: Make sure that the power supply provides adequate power to the system. Make sure that all power connectors are connected. Refer to the Supermicro website for the minimum power requirements.
- Proper software support: Make sure that the correct drivers are used.

If the system becomes unstable before or during OS installation, check the following:

- Source of installation: Make sure that the devices used for installation are working properly, including boot devices.
- Cable connection: Check to make sure that all cables are connected and working properly.
- Use the minimum configuration for troubleshooting: Remove all unnecessary components (starting with add-on cards first), and use the minimum configuration (but with a CPU and a memory module installed) to identify the trouble areas.
- Identify a bad component by isolating it. Check and change one component at a time.
 - Remove a component in question from the chassis, and test it in isolation. Replace it if necessary.
 - Or swap in a new component for the suspect one.
 - Or install the possibly defective component into a known good system. If the new system works, the component is likely not the cause or the problem.

7.4 BIOS Error Beep (POST) Codes

During the POST (Power-On Self-Test) routines, which are performed each time the system is powered on, errors may occur.

Non-fatal errors are those which, in most cases, allow the system to continue the boot-up process. The error messages normally appear on the screen.

Fatal errors are those which will not allow the system to continue the boot-up procedure. If a fatal error occurs, you should consult with your system manufacturer for possible repairs.

These fatal errors are usually communicated through a series of audible beeps. The table below lists some common errors and their corresponding beep codes encountered by users.

| BIOS Error Beep (POST) Codes | | |
|------------------------------|---------------------------------|--|
| Beep Code | Error Message | Description |
| 1 short | Refresh | Circuits have been reset (Ready to power up) |
| 5 short, 1 long | Memory error | No memory detected in system |
| 5 long, 2 short | Display memory read/write error | Video adapter missing or with faulty memory |
| 1 long continuous | System OH | System overheat condition |

Additional BIOS POST Codes

The AMI BIOS supplies additional checkpoint codes, which are documented at the following page: <https://www.supermicro.com/manuals/> ("AMI BIOS POST Codes User's Guide").

When BIOS performs the Power On Self Test, it writes checkpoint codes to I/O port 0080h. If the computer cannot complete the boot process, a diagnostic card can be attached to the computer to read I/O port 0080h (Supermicro p/n AOC-LPC80-20).

For information on AMI updates, please refer to <https://www.ami.com/products/>.

7.5 Crash Dump Using the BMC Dashboard

In the event of a processor internal error (IERR) that crashes your system, you may want to provide information to support staff. You can download a crash dump of status information using the BMC Dashboard. The BMC manual is available at the following page:

https://www.supermicro.com/manuals/other/BMC_Users_Guide_X12_H12.pdf

Check Error Log

1. Access the BMC web interface.
2. Click the **Server Health** tab, then **Event Log** to verify an IERR error.

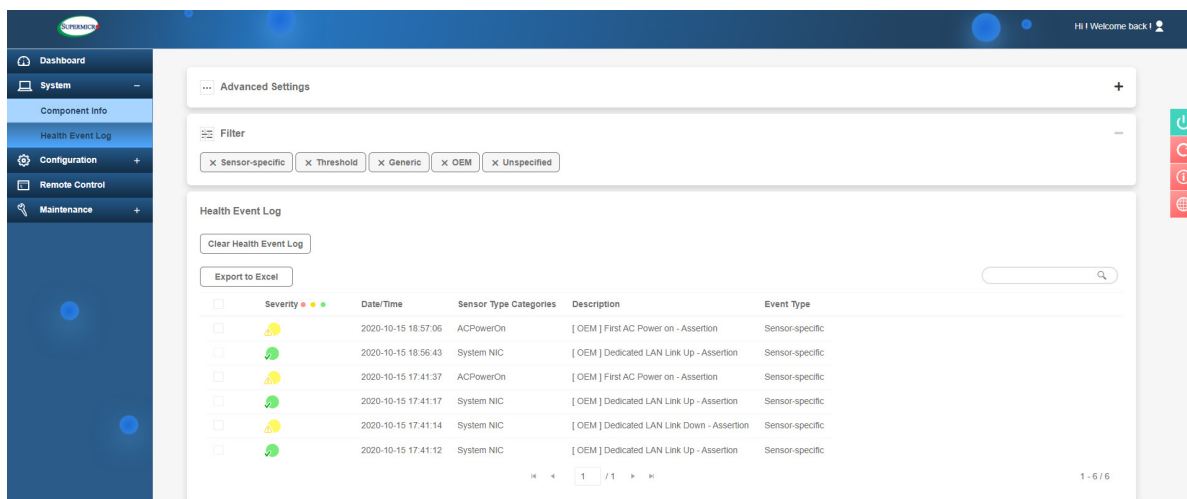


Figure 7-4. BMC Event Log

In the event of an IERR, the BMC executes a crash dump. You must download the crash dump and save it.

7.6 UEFI BIOS Recovery

Warning: Do not upgrade the BIOS unless your system has a BIOS-related issue. Flashing the wrong BIOS can cause irreparable damage to the system. In no event shall Supermicro be liable for direct, indirect, special, incidental, or consequential damages arising from a BIOS update. If you do update the BIOS, do not shut down or reset the system while the BIOS is updating to avoid possible boot failure.

Overview

The Unified Extensible Firmware Interface (UEFI) provides a software-based interface between the operating system and the platform firmware in the pre-boot environment. The UEFI specification supports an architecture-independent mechanism that will allow the UEFI OS loader stored in an add-on card to boot the system. The UEFI offers clean, hands-off management to a computer during system boot.

Recovering the UEFI BIOS Image

A UEFI BIOS flash chip consists of a recovery BIOS block and a main BIOS block (a main BIOS image). The recovery block contains critical BIOS codes, including memory detection and recovery codes for the user to flash a healthy BIOS image if the original main BIOS image is corrupted. When the system power is turned on, the recovery block codes execute first. Once this process is complete, the main BIOS code will continue with system initialization and the remaining POST (Power-On Self-Test) routines.

Note 1: Follow the BIOS recovery instructions below for BIOS recovery when the main BIOS block crashes.

Note 2: When the BIOS recovery block crashes, you will need to follow the procedures to make a Returned Merchandise Authorization (RMA) request. Also, you may use the Supermicro Update Manager (SUM) Out-of-Band (https://www.supermicro.com.tw/products/nfo/SMS_SUM.cfm) to reflash the BIOS.

Recovering the Main BIOS Block with a USB Device

This feature allows the user to recover the main BIOS image using a USB-attached device without additional utilities used. A USB flash device such as a USB Flash Drive, or a USB CD/DVD ROM/RW device can be used for this purpose. However, a USB Hard Disk drive cannot be used for BIOS recovery at this time.

The file system supported by the recovery block is FAT (including FAT12, FAT16, and FAT32) which is installed on a bootable or non-bootable USB-attached device. However, the BIOS might need several minutes to locate the SUPER.ROM file if the media size becomes too large due to the huge volumes of folders and files stored in the device.

To perform UEFI BIOS recovery using a USB-attached device, follow the instructions below.

1. Using a different machine, copy the "Super.ROM" binary image file into the Root "\" directory of a USB device or a writable CD/DVD.

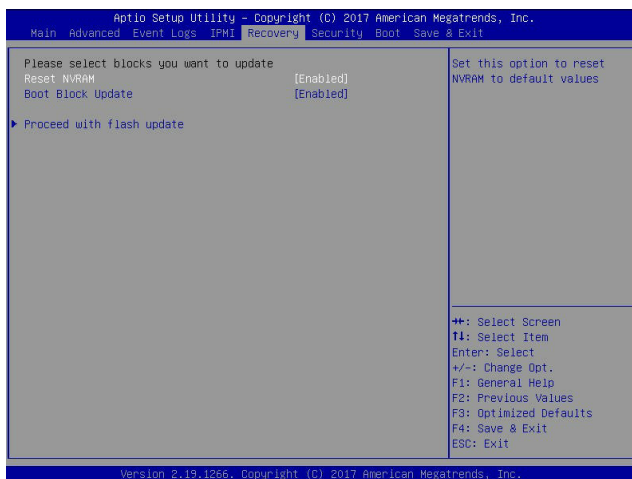
Note 1: If you cannot locate the "Super.ROM" file in your drive disk, visit our website at <https://www.supermicro.com> to download the BIOS package. Extract the BIOS binary image into a USB flash device and rename it "Super.ROM" for the BIOS recovery use.

Note 2: Before recovering the main BIOS image, confirm that the "Super.ROM" binary image file you download is the same version or a close version meant for your motherboard.

2. Insert the USB device that contains the new BIOS image ("Super.ROM") into your USB drive and reset the system when the following screen appears.
3. After locating the healthy BIOS binary image, the system will enter the BIOS Recovery menu as shown below.



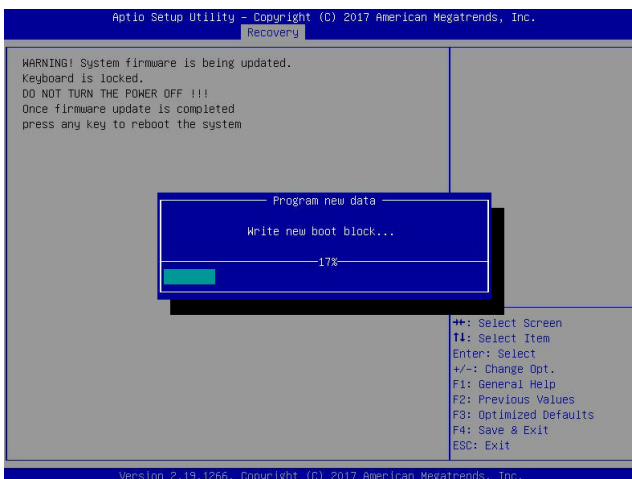
Note: At this point, you may decide if you want to start the BIOS recovery. If you decide to proceed with BIOS recovery, follow the procedures below.



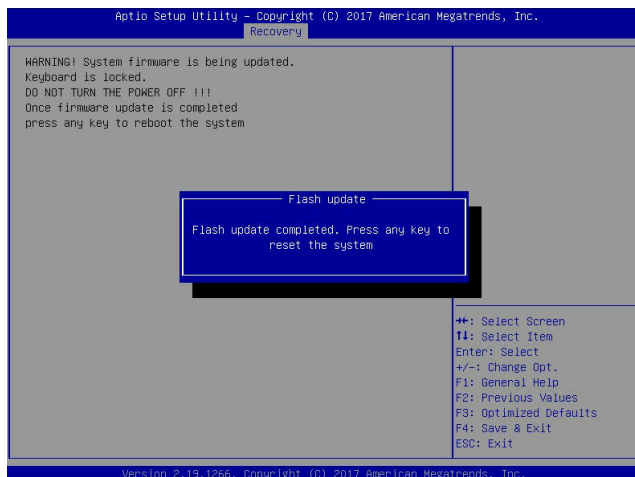
4. When the screen as shown above displays, use the arrow keys to select the item "Proceed with flash update" and press the <Enter> key. You will see the BIOS recovery progress as shown in the screen below.

Note: *Do not interrupt the BIOS flashing process until it has completed.*

5. After the BIOS recovery process is complete, press any key to reboot the system.
6. Using a different system, extract the BIOS package into a USB flash drive.

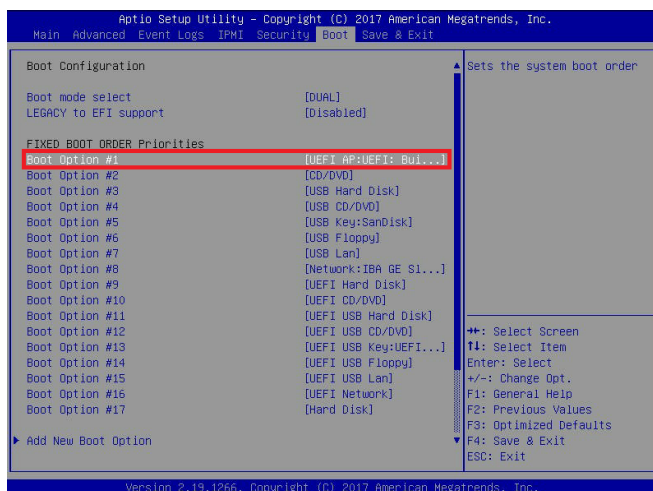


7. Press continuously during system boot to enter the BIOS Setup utility. From the top of the tool bar, select Boot to enter the submenu. From the submenu list, select Boot



Option #1 as shown below. Then, set Boot Option #1 to [UEFI AP:UEFI: Built-in EFI Shell]. Press <F4> to save the settings and exit the BIOS Setup utility.

8. When the UEFI Shell prompt appears, type fs# to change the device directory path. Go to the directory that contains the BIOS package you extracted earlier from Step 6. Enter flash.nsh BIOSname.### at the prompt to start the BIOS update process.



Note: Do not interrupt this process until the BIOS flashing is complete.

```

UEFI Interactive Shell v2.1
EDK II
UEFI v2.50 (American Megatrends, 0x0005000C)
Mapping table
  FS0: Alias(s):HD0:0:0:BLK1:
        PciRoot(0x0)/Pci(0x14,0x0)/USB(0x11,0x0)/HD(1,MBR,0x37901D72,0x800,0x1
DR9592)
  BLK0: Alias(s):
        PciRoot(0x0)/Pci(0x14,0x0)/USB(0x11,0x0)
Press F8 in 1 seconds to skip startup.nsh or any other key to continue.
Shell: fs0:
FS0:\> cd \AFUDOS
FS0:\AFUDOS> cd SNIJPM2_03162017
FS0:\AFUDOS\SNIJPM2_03162017> flash.nsh X110PU7_314

```

9. The screen above indicates that the BIOS update process is complete. When you see the screen above, unplug the AC power cable from the power supply, clear CMOS, and plug

```

Done.
[ Access Cmos Port Ex ]
<Read>
Index 0x51: 0x10

Done.
*****
* Program BIOS and ME (including FDT) regions...
*****
| AMT Firmware Update Utility v5.09.01.1917 |
| Copyright (C)2017 American Megatrends Inc. All Rights Reserved. |
-----
CPUID = 50652
Reading flash ..... done
- ME Data Size checking - ok
- FFS checksums ..... ok
- Check RomLayout ..... Ok
Erasing Boot Block ..... done
Updating Boot Block ..... done
Verifying Boot Block ..... done
_Erasing Main Block ..... 0x00132000 (0x)

```

the AC power cable in the power supply again to power on the system.

10. Press continuously to enter the BIOS Setup utility.

```

Verifying NDB Block ..... done
- Update success for FDR
- Update success for IE
- Successful Update Recovery Loader to OPRx11
- Successful Update MFSB11
- Successful Update FPR11
- Successful Update MFS, IVBI and IVB211
- Successful Update FLOG and UTDK11
- ME Entire Image update success !!
WARNING : System must power-off to have the changes take effect!
Moving F80:\AFUDOS\SNIJPM2_03162017\Fdtv64.efi -> F80:\AFUDOS\SNIJPM2_03162017\
d1.smc
- [ok]
Moving F80:\AFUDOS\SNIJPM2_03162017\Fuef1x64.efi -> F80:\AFUDOS\SNIJPM2_0316201
7\Fuef1.smc
- [ok]
*****
* Please ignore this 'Shell: Cannot read from file - Device Error'
* warning message due to it does not impact flashing process.
*****
Deleting "F:\uef1.smc"
Delete successful.
FS0:\>

```

11. Press <F3> to load the default settings.
12. After loading the default settings, press <F4> to save the settings and exit the BIOS Setup utility.

7.7 CMOS Clear

JBT1 is used to clear CMOS, which will also clear any passwords. Instead of pins, this jumper consists of contact pads to prevent accidentally clearing the contents of CMOS.

To Clear CMOS

1. First power down the system completely as described in Section 3.1.
2. Remove the cover of the chassis to access the motherboard as described in Section 3.2.
3. Remove the onboard battery from the motherboard as described in Section 3.5.
4. Short the CMOS pads with a metal object such as a small screwdriver for at least four seconds.
5. Remove the screwdriver or shorting device.
6. Replace the onboard battery and chassis cover, and reconnect the power cords, then power on the system.



Notes: Clearing CMOS will also clear all passwords.

Do not use the PW_ON connector to clear CMOS.

7.8 BMC Reset

The BMC can be reset using the UID button. First, move the JRU1 jumper to pins 3/4 (for details, see Section 4.4).

- **Reset:** Press and hold the button. After six seconds, the LED blinks at 2 Hz. The BMC resets and the reset duration is approximately 250 ms. Then the BMC starts to boot.
- **Restore factory default configuration:** Hold the button for twelve seconds. The LED blinks at 4 Hz while defaults are configured. **Note:** All BMC settings including username and password will be removed except the FRU and network settings.
- **Firmware update:** When the BMC firmware is being updated, the UID LED blinks at 10 Hz.

| BMC Reset Options | | |
|-------------------|-----------------------|-------------------|
| Event | UID LED | BMC Heartbeat LED |
| Reset | Blue, Blinks at 2 Hz | Green, solid |
| Restore Defaults | Blue, Blinks at 4 Hz | Off |
| Update | Blue, Blinks at 10 Hz | |

7.9 Where to Get Replacement Components

If you need replacement parts for your system, to ensure the highest level of professional service and technical support, purchase exclusively from our Supermicro Authorized Distributors/System Integrators/Resellers. A list can be found at: <https://www.supermicro.com>. Click the "Where to Buy" tab.

7.10 Reporting an Issue

Technical Support Procedures

Before contacting Technical Support, please take the following steps. If your system was purchased through a distributor or reseller, please contact them for troubleshooting services. They have the best knowledge of your specific system configuration.

1. Please review the Troubleshooting Procedures in Section 7.3 of this manual and the Frequently Asked Questions on our website at <https://www.supermicro.com/FAQ/index.php> before contacting Technical Support.
2. BIOS upgrades can be downloaded from our website. **Note:** Not all BIOS can be flashed depending on the modifications to the boot block code.
3. If you still cannot resolve the problem, include the following information when contacting us for technical support:
 - System, motherboard, and chassis model numbers and PCB revision number
 - BIOS release date/version (this can be seen on the initial display when your system first boots up)
 - System configuration

An example of a Technical Support form is posted on <https://www.supermicro.com>. Distributors: For immediate assistance, please have your account number ready when contacting our technical support department by email.

Returning Merchandise for Service

A receipt or copy of your invoice marked with the date of purchase is required before any warranty service will be rendered. You can obtain service by calling your vendor for a Returned Merchandise Authorization (RMA) number. When returning to the manufacturer, the RMA number should be prominently displayed on the outside of the shipping carton, and mailed prepaid or hand-carried. Shipping and handling charges will be applied for all orders that must be mailed when service is complete.

For faster service, RMA authorizations may be requested online at <https://www.supermicro.com/en/support/rma/>.

Whenever possible, repack the chassis in the original Supermicro carton, using the original packaging material. If these are no longer available, be sure to pack the chassis securely, using packaging material to surround the chassis so that it does not shift within the carton and become damaged during shipping.

This warranty only covers normal consumer use and does not cover damages incurred in shipping or from failure due to the alteration, misuse, abuse or improper maintenance of products.

During the warranty period, contact your distributor first for any product problems.

Vendor Support Filing System

For issues related to Intel, use the Intel IPS filing system:

<https://www.intel.com/content/www/us/en/design/support/ips/training/welcome.html>

For issues related to Red Hat Enterprise Linux, since it is a subscription based OS, contact your account representative.

7.11 Feedback

Supermicro values your feedback as we strive to improve our customer experience in all facets of our business. To provide feedback on our manuals, please email us at techwriterteam@supermicro.com.

7.12 Contacting Supermicro

Headquarters

Address: Super Micro Computer, Inc.
980 Rock Ave.
San Jose, CA 95131 U.S.A.

Tel: +1 (408) 503-8000

Fax: +1 (408) 503-8008

Email: marketing@supermicro.com (General Information)
Sales-USA@supermicro.com (Sales Inquiries)
Government_Sales-USA@supermicro.com (Gov. Sales Inquiries)
support@supermicro.com (Technical Support)
RMA@supermicro.com (RMA Support)
Webmaster@supermicro.com (Webmaster)

Website: <https://www.supermicro.com>

Europe

Address: Super Micro Computer B.V.
Het Sterrenbeeld 28, 5215 ML
's-Hertogenbosch, The Netherlands

Tel: +31 (0) 73-6400390

Fax: +31 (0) 73-6416525

Email: Sales_Europe@supermicro.com (Sales Inquiries)
Support_Europe@supermicro.com (Technical Support)
RMA_Europe@supermicro.com (RMA Support)

Website: <https://www.supermicro.nl>

Asia-Pacific

Address: Super Micro Computer, Inc.
3F, No. 150, Jian 1st Rd.
Zhonghe Dist., New Taipei City 235
Taiwan (R.O.C)

Tel: +886-(2) 8226-3990

Fax: +886-(2) 8226-3992

Email: Sales-Asia@supermicro.com.tw (Sales Inquiries)
Support@supermicro.com.tw (Technical Support)
RMA@supermicro.com.tw (RMA Support)

Website: <https://www.supermicro.com.tw>

Appendix A

Standardized Warning Statements for AC Systems

About Standardized Warning Statements

The following statements are industry standard warnings, provided to warn the user of situations which have the potential for bodily injury. Should you have questions or experience difficulty, contact Supermicro's Technical Support department for assistance. Only certified technicians should attempt to install or configure components.

Read this appendix in its entirety before installing or configuring components in the Supermicro chassis.

These warnings may also be found on our website at https://www.supermicro.com/about/policies/safety_information.cfm.

Warning Definition



Warning! This warning symbol means danger. You are in a situation that could cause bodily injury. Before you work on any equipment, be aware of the hazards involved with electrical circuitry and be familiar with standard practices for preventing accidents.

警告の定義

この警告サインは危険を意味します。

人身事故につながる可能性がありますので、いずれの機器でも動作させる前に、電気回路に含まれる危険性に注意して、標準的な事故防止策に精通して下さい。

此警告符号代表危險。

您正处于可能受到严重伤害的工作环境中。在您使用设备开始工作之前，必须充分意识到触电的危险，并熟练掌握防止事故发生的标准工作程序。请根据每项警告结尾的声明号码找到此设备的安全性警告说明的翻译文本。

此警告符號代表危險。

您正處於可能身體可能會受損傷的工作環境中。在您使用任何設備之前，請注意觸電的危險，並且要熟悉預防事故發生的標準工作程序。請依照每一注意事項後的號碼找到相關的翻譯說明內容。

Warnung

WICHTIGE SICHERHEITSHINWEISE

Dieses Warnsymbol bedeutet Gefahr. Sie befinden sich in einer Situation, die zu Verletzungen führen kann. Machen Sie sich vor der Arbeit mit Geräten mit den Gefahren elektrischer Schaltungen und den üblichen Verfahren zur Vorbeugung vor Unfällen vertraut. Suchen Sie mit der am Ende jeder Warnung angegebenen Anweisungsnummer nach der jeweiligen Übersetzung in den übersetzten Sicherheitshinweisen, die zusammen mit diesem Gerät ausgeliefert wurden.

BEWAHREN SIE DIESE HINWEISE GUT AUF.

INSTRUCCIONES IMPORTANTES DE SEGURIDAD

Este símbolo de aviso indica peligro. Existe riesgo para su integridad física. Antes de manipular cualquier equipo, considere los riesgos de la corriente eléctrica y familiarícese con los procedimientos estándar de prevención de accidentes. Al final de cada advertencia encontrará el número que le ayudará a encontrar el texto traducido en el apartado de traducciones que acompaña a este dispositivo.

GUARDE ESTAS INSTRUCCIONES.

IMPORTANTES INFORMATIONS DE SÉCURITÉ

Ce symbole d'avertissement indique un danger. Vous vous trouvez dans une situation pouvant entraîner des blessures ou des dommages corporels. Avant de travailler sur un équipement, soyez conscient des dangers liés aux circuits électriques et familiarisez-vous avec les procédures couramment utilisées pour éviter les accidents. Pour prendre connaissance des traductions des avertissements figurant dans les consignes de sécurité traduites qui accompagnent cet appareil, référez-vous au numéro de l'instruction situé à la fin de chaque avertissement.

CONSERVEZ CES INFORMATIONS.

תקנון הזהרות אזהרה

הזהרות הבאות הן אזהרות על פי תקני התעשייה, על מנת להזהיר את המשתמש מפני חבלה פיזית אפשרית. במידה ויש שאלות או היתקלות בבעיה כלשהי, יש ליצור קשר עם מחלקת תמיכה טכנית של סופרמיקרו. טכנאים מוסמכים בלבד רשאים להתקין או להגדיר את הרכיבים. יש לקרוא את הנספח במלואו לפני התקנת או הגדרת הרכיבים במארזי סופרמיקרו.

اَكْ ف حالة وُكِي اَي تتسبب ف اصابة جسدهُ هذا الزهز عْ خطر! تحذُرُ .
 قبل اَي تعول على اَي هعدات، كي على علن بالوخاطز ال اَجوة عي الذوائر
 الكهزبائِة
 وكي على دراةُ بالووارسات النقااِة لو عْ وقع اَي حادث
 استخدم رقن الب اِى الو صُص ف هاةُ كل تحذُرُ للعشر تزجوتها

안전을 위한 주의사항

경고!

이 경고 기호는 위험이 있음을 알려 줍니다. 작업자의 신체에 부상을 야기 할 수 있는 상태에 있게 됩니다. 모든 장비에 대한 작업을 수행하기 전에 전기회로와 관련된 위험요소들을 확인하시고 사전에 사고를 방지할 수 있도록 표준 작업절차를 준수해 주시기 바랍니다.

해당 번역문을 찾기 위해 각 경고의 마지막 부분에 제공된 경고문 번호를 참조하십시오

BELANGRIJKE VEILIGHEIDSINSTRUCTIES

Dit waarschuwings symbool betekent gevaar. U verkeert in een situatie die lichamelijk letsel kan veroorzaken. Voordat u aan enige apparatuur gaat werken, dient u zich bewust te zijn van de bij een elektrische installatie betrokken risico's en dient u op de hoogte te zijn van de standaard procedures om ongelukken te voorkomen. Gebruik de nummers aan het eind van elke waarschuwing om deze te herleiden naar de desbetreffende locatie.

BEWAAR DEZE INSTRUCTIES

Installation Instructions



Warning! Read the installation instructions before connecting the system to the power source.

設置手順書

システムを電源に接続する前に、設置手順書をお読み下さい。

警告

将此系统连接电源前,请先阅读安装说明。

警告

將系統與電源連接前，請先閱讀安裝說明。

Warnung

Vor dem Anschließen des Systems an die Stromquelle die Installationsanweisungen lesen.

¡Advertencia!

Lea las instrucciones de instalación antes de conectar el sistema a la red de alimentación.

Attention

Avant de brancher le système sur la source d'alimentation, consulter les directives d'installation.

יש לקרוא את הוראות התקנה לפני חיבור המערכת למקור מתח.

اقر إرشادات التركيب قبل توصيل النظام إلى مصدر للطاقة

시스템을 전원에 연결하기 전에 설치 안내를 읽어주십시오.

Waarschuwing

Raadpleeg de installatie-instructies voordat u het systeem op de voedingsbron aansluit.

Circuit Breaker

Warning! This product relies on the building's installation for short-circuit (overcurrent) protection. Ensure that the protective device is rated not greater than: 250 V, 20 A.

サーキット・ブレーカー

この製品は、短絡(過電流)保護装置がある建物での設置を前提としています。

保護装置の定格が250 V、20 Aを超えないことを確認下さい。

警告

此产品的短路(过载电流)保护由建筑物的供电系统提供,确保短路保护设备的额定电流不大于250V,20A。

警告

此產品的短路(過載電流)保護由建築物的供電系統提供,確保短路保護設備的額定電流不大於250V,20A。

Warnung

Dieses Produkt ist darauf angewiesen, dass im Gebäude ein Kurzschluss- bzw. Überstromschutz installiert ist. Stellen Sie sicher, dass der Nennwert der Schutzvorrichtung nicht mehr als: 250 V, 20 A beträgt.

¡Advertencia!

Este equipo utiliza el sistema de protección contra cortocircuitos (o sobrecorrientes) del edificio. Asegúrese de que el dispositivo de protección no sea superior a: 250 V, 20 A.

Attention

Pour ce qui est de la protection contre les courts-circuits (surtension), ce produit dépend de l'installation électrique du local. Vérifiez que le courant nominal du dispositif de protection n'est pas supérieur à :250 V, 20 A.

מוצר זה מסתמך על הגנה המותקנת במבנים למניעת קצר חשמלי. יש לוודא כי המכשיר המגן מפני הקצר החשמלי הוא לא יותר מ-250V, 20A.

هذا المنتج يعتمد على معدات الحماية من الدوائر القصيرة التي تم تثبيتها في المبنى
تأكد من أن تقييم الجهاز الوقائي ليس أكثر من : 20A, 250V

경고!

이 제품은 전원의 단락(과전류)방지에 대해서 전적으로 건물의 관련 설비에 의존합니다. 보호장치의 정격이 반드시 250V(볼트), 20A(암페어)를 초과하지 않도록 해야 합니다.

Waarschuwing

Dit product is afhankelijk van de kortsluitbeveiliging (overspanning) van uw elektrische installatie. Controleer of het beveiligde apparaat niet groter gedimensioneerd is dan 250V, 20A.

Power Disconnection Warning



Warning! The system must be disconnected from all sources of power and the power cord removed from the power supply module(s) before accessing the chassis interior to install or remove system components (except for hot-swap components).



電源切断の警告

システムコンポーネントの取り付けまたは取り外しのために、シャーシ内部にアクセスするには、システムの電源はすべてのソースから切断され、電源コードは電源モジュールから取り外す必要があります。

警告

在你打开机箱并安装或移除内部器件前,必须将系统完全断电,并移除电源线。

警告

在您打開機殼安裝或移除內部元件前，必須將系統完全斷電，並移除電源線。

Warnung

Das System muss von allen Quellen der Energie und vom Netzanschlusskabel getrennt sein, das von den Spg.Versorgungsteilmodulen entfernt wird, bevor es auf den Chassisinnenraum zurückgreift, um Systemsbestandteile anzubringen oder zu entfernen.

¡Advertencia!

El sistema debe ser disconnected de todas las fuentes de energía y del cable eléctrico quitado de los módulos de fuente de alimentación antes de tener acceso el interior del chasis para instalar o para quitar componentes de sistema.

Attention

Le système doit être débranché de toutes les sources de puissance ainsi que de son cordon d'alimentation secteur avant d'accéder à l'intérieur du chassis pour installer ou enlever des composants de système.

אזהרה מפני ניתוק חשמלי

אזהרה!

יש לנתק את המערכת מכל מקורות החשמל ויש להסיר את כבל החשמלי מהספק לפני גישה לחלק הפנימי של המארז לצורך התקנת או הסרת רכיבים.

يجب فصل انظاؤ من جميع مصادر انطاقت وإزانت سهك انكهرباء من وحدة امداد انطاقت قيم

انصل إلى امناطق انداخييت نههيكم نشييج أو إزانت مكناث الجهاز

경고!

시스템에 부품들을 장착하거나 제거하기 위해서는 새시 내부에 접근하기 전에 반드시 전원 공급장치로부터 연결되어있는 모든 전원과 전기코드를 분리해주어야 합니다.

Waarschuwing

Voordat u toegang neemt tot het binnenwerk van de behuizing voor het installeren of verwijderen van systeem onderdelen, dient u alle spanningsbronnen en alle stroomkabels aangesloten op de voeding(en) van de behuizing te verwijderen

Equipment Installation



Warning! Only authorized personnel and qualified service persons should be allowed to install, replace, or service this equipment.

機器の設置

トレーニングを受け認定された人だけがこの装置の設置、交換、またはサービスを許可されています。

警告

只有经过培训且具有资格的人员才能进行此设备的安装、更换和维修。

警告

只有經過受訓且具資格人員才可安裝、更換與維修此設備。

Warnung

Nur autorisiertes Personal und qualifizierte Servicetechniker dürfen dieses Gerät installieren, austauschen oder warten..

¡Advertencia!

Sólo el personal autorizado y el personal de servicio calificado deben poder instalar, reemplazar o dar servicio a este equipo.

Attention

Seul le personnel autorisé et le personnel de maintenance qualifié doivent être autorisés à installer, remplacer ou entretenir cet équipement..

אזהרה!

יש לאפשר רק צוות מורשה ואנשי שירות מוסמכים להתקין, להחליף או לטפל בציוד זה.

ينبغي السماح فقط للموظفين المعتمدين وأفراد الخدمة المؤهلين بتركيب هذا الجهاز أو استبداله أو صيانته.

경고!

승인된 직원과 자격을 갖춘 서비스 담당자만이 이 장비를 설치, 교체 또는 서비스할 수 있습니다.

Waarschuwing

Alleen geautoriseerd personeel en gekwalificeerd onderhoudspersoneel mag deze apparatuur installeren, vervangen of onderhouden..

Rack Stability Hazard



Warning! Stability hazard. The rack may tip over causing serious personal injury. Before extending the rack to the installation position, read the installation instructions.

ファンの警告

安定性に危険があります。ラックが転倒して、重大な人身事故を引き起こす可能性があります。ラックを設置位置まで伸ばす前に、設置手順をお読みください。設置位置にあるスライド レールに取り付けられた機器に負荷をかけないでください。スライド レールに取り付けられた機器を設置位置に放置しないでください。

警告

稳定性危険。机架可能会翻倒，造成严重的人身伤害。在将机架延伸到安装位置之前，请阅读安装说明。请勿在安装位置对滑轨安装的设备施加任何负载。请勿将滑轨安装的设备留在安装位置。

警告

穩定性危險。機架可能會翻倒，造成嚴重的人身傷害。將機架延伸至安裝位置前，請先閱讀安裝說明。請勿在安裝位置的滑軌安裝設備上放置任何負載。請勿將滑軌安裝設備留在安裝位置。

Warnung

Gefahr der Instabilität. Das Rack kann umkippen und schwere Verletzungen verursachen. Lesen Sie die Installationsanweisungen, bevor Sie das Rack in die Einbauposition ausfahren. Belasten Sie die auf den Gleitschienen montierten Geräte nicht in der Einbauposition. Lassen Sie die auf den Gleitschienen montierten Geräte nicht in der Einbauposition.

¡Advertencia!

Peligro de inestabilidad. El rack podría volcarse y causar lesiones personales graves. Antes de extender el rack a la posición de instalación, lea las instrucciones de instalación. No coloque ninguna carga sobre el equipo montado sobre rieles deslizantes en la posición de instalación. No deje el equipo montado sobre rieles deslizantes en la posición de instalación. Sólo el personal autorizado y el personal de servicio calificado deben poder instalar, reemplazar o dar servicio a este equipo.

Avertissement!

Danger d'instabilité. Le rack peut basculer et provoquer des blessures corporelles graves. Avant d'étendre le rack en position d'installation, lire les instructions d'installation. Ne pas charger l'équipement monté sur rail de glissière en position d'installation. Ne pas laisser l'équipement monté sur rail de glissière en position d'installation.

אזהרה!

סכנת חוסר יציבות

המתלה עלול להתהפך ולגרום לפציעה חמורה

לפני הארכת המתלה למצב ההתקנה, קרא את הוראות ההתקנה

אין להעמיס כל עומס על הציוד המותקן על מסילת ההחלקה במצב ההתקנה

אל תשאיר את הציוד המותקן על מסילת ההחלקה במצב ההתקנה

تحذير. خطر عدم الاستقرار. قد ينقلب الرف مسبباً إصابات جسدية خطيرة. قبل تمديد الرف إلى موضع التركيب، اقرأ تعليمات التركيب. لا تضع أي حمولة على الجهاز المثبت على سكة الانزلاق في موضع التركيب. لا تترك الجهاز المثبت على سكة الانزلاق في موضع التركيب.

경고!

안정성 위험. 랙이 넘어져 심각한 개인 부상을 입을 수 있습니다. 랙을 설치 위치까지 확장하기 전에 설치 지침을 읽으십시오. 설치 위치에서 슬라이드 레일 장착 장비에 하중을 가하지 마십시오. 슬라이드 레일 장착 장비를 설치 위치에 두지 마십시오.

Waarschuwing

Gevaar voor instabiliteit. Het rek kan kantelen en ernstig persoonlijk letsel veroorzaken. Lees de installatie-instructies voordat u het rek uitschuift naar de installatiepositie. Plaats geen last op de op de glijrail gemonteerde apparatuur in de installatiepositie. Laat de op de glijrail gemonteerde apparatuur niet in de installatiepositie staan.

Restricted Area



Warning! This unit is intended for installation in restricted access areas. A restricted access area can be accessed only through the use of a special tool, lock and key, or other means of security. (This warning does not apply to workstations).

アクセス制限区域

このユニットは、アクセス制限区域に設置されることを想定しています。

アクセス制限区域は、特別なツール、鍵と錠前、その他のセキュリティの手段を用いてのみ出入りが可能です。

警告

此部件应安装在限制进出的场所。限制进出的场所指只能通过使用特殊工具、锁和钥匙或其它安全手段进出的场所。

警告

此装置仅限安装於進出管制區域。進出管制區域係指僅能以特殊工具、鎖頭及鑰匙或其他安全方式才能進入的區域。

Warnung

Diese Einheit ist zur Installation in Bereichen mit beschränktem Zutritt vorgesehen. Der Zutritt zu derartigen Bereichen ist nur mit einem Spezialwerkzeug, Schloss und Schlüssel oder einer sonstigen Sicherheitsvorkehrung möglich.

¡Advertencia!

Esta unidad ha sido diseñada para instalación en áreas de acceso restringido. Sólo puede obtenerse acceso a una de estas áreas mediante la utilización de una herramienta especial, cerradura con llave u otro medio de seguridad.

Attention

Cet appareil doit être installée dans des zones d'accès réservés. L'accès à une zone d'accès réservé n'est possible qu'en utilisant un outil spécial, un mécanisme de verrouillage et une clé, ou tout autre moyen de sécurité.

אזור עם גישה מוגבלת

אזהרה!

יש להתקין את היחידה באזורים שיש בהם הגבלת גישה. הגישה ניתנת בעזרת 'כלי אבטחה בלבד' (מפתח, מנעול וכד.).

تخصيص هذه انحدة نترك بُها ف مناطق محظورة تم .
ممكن انصلل إن منطقت محظورة فقط من خلال استخذاو أداة خاصت
أو أ وس هُت أخري نلالأمما ققم ومفتاح

경고!

이 장치는 접근이 제한된 구역에 설치하도록 되어있습니다. 특수도구, 잠금 장치 및 키, 또는 기타 보안 수단을 통해서만 접근 제한 구역에 들어갈 수 있습니다.

Waarschuwing

Dit apparaat is bedoeld voor installatie in gebieden met een beperkte toegang. Toegang tot dergelijke gebieden kunnen alleen verkregen worden door gebruik te maken van speciaal gereedschap, slot en sleutel of andere veiligheidsmaatregelen.

Battery Handling



CAUTION: There is risk of explosion if the battery is replaced by an incorrect type. Replace the battery only with the same or equivalent type recommended by the manufacturer. Dispose of used batteries according to the manufacturer's instructions

電池の取り扱い

バッテリーを間違ったタイプに交換すると爆発の危険があります。交換する電池はメーカーが推奨する型、または同等のものを使用下さい。使用済電池は製造元の指示に従って処分して下さい。

警告

如果更换的电池类型不正确，则存在爆炸危险。请只使用同类电池或制造商推荐的功能相当的电池更换原有电池。请按制造商的说明处理废旧电池。

警告

如果更換的電池類型不正確，則有爆炸危險。請使用製造商建議之相同或功能相當的電池更換原有電池。請按照製造商的說明指示處理廢棄舊電池。

WARNUNG

Es besteht Explosionsgefahr, wenn die Batterie durch einen falschen Typ ersetzt wird. Ersetzen Sie die Batterie nur durch den gleichen oder vom Hersteller empfohlenen Batterietyp. Entsorgen Sie die benutzten Batterien nach den Anweisungen des Herstellers.

ATTENTION

Il existe un risque d'explosion si la batterie est remplacée par un type incorrect. Ne la remplacer que par une pile de type semblable ou équivalent, recommandée par le fabricant. Jeter les piles usagées conformément aux instructions du fabricant.

ADVERTENCIA

Existe riesgo de explosión si la batería se reemplaza por un tipo incorrecto. Reemplazar la batería exclusivamente con el mismo tipo o el equivalente recomendado por el fabricante. Desechar las baterías gastadas según las instrucciones del fabricante.

אזהרה!

קיימת סכנת פיצוץ אם הסוללה תוחלף בסוג שגוי. יש להחליף את הסוללה בסוג התואם מחברת יצרן מומלצת. סילוק הסוללות המשומשות יש לבצע לפי הוראות היצרן.

هناك خطر الانفجار إذا تم استبدال البطارية بنوع غير صحيح.
 اسحبذال البطارية
 فقط بنفس النوع أو ما يعادلها مما أوصت به الشركة المصنعة
 جخلص من البطاريات المسحمة وفقا لعمليات الشركة الصانعة

경고!

배터리를 잘못된 종류로 교체하면 폭발의 위험이 있습니다. 기존 배터리와 동일하거나 제조사에서 권장하는 동등한 종류의 배터리로만 교체해야 합니다. 제조사의 안내에 따라 사용된 배터리를 처리하여 주십시오.

WAARSCHUWING

Er bestaat explosiegevaar als de batterij wordt vervangen door een verkeerd type. Vervang de batterij slechts met hetzelfde of een equivalent type die door de fabrikant aanbevolen wordt. Gebruikte batterijen dienen overeenkomstig fabrieksvoorschriften afgevoerd te worden.

Redundant Power Supplies



Warning! This unit might have more than one power supply connection. All connections must be removed to de-energize the unit.

冗長電源装置

このユニットは複数の電源装置が接続されている場合があります。

ユニットの電源を切るためには、すべての接続を取り外さなければなりません。

警告

此部件连接的电源可能不止一个，必须将所有电源断开才能停止给该部件供电。

警告

此装置连接的电源可能不只一个，必须切断所有电源才能停止对该装置的供电。

Warnung

Dieses Gerät kann mehr als eine Stromzufuhr haben. Um sicherzustellen, dass der Einheit kein Strom zugeführt wird, müssen alle Verbindungen entfernt werden.

¡Advertencia!

Puede que esta unidad tenga más de una conexión para fuentes de alimentación. Para cortar por completo el suministro de energía, deben desconectarse todas las conexiones.

Attention

Cette unité peut avoir plus d'une connexion d'alimentation. Pour supprimer toute tension et tout courant électrique de l'unité, toutes les connexions d'alimentation doivent être débranchées.

אם קיים יותר מספק אחד

אזהרה!

ליחידה יש יותר מחיבור אחד של ספק. יש להסיר את כל החיבורים על מנת לרוקן את היחידה.

قد يكون لهذا الجهاز عدة اتصالات بوحدات امداد الطاقة .

يجب إزالة كافة الاتصالات لعسل الوحدة عن الكهرباء

경고!

이 장치에는 한 개 이상의 전원 공급 단자가 연결되어 있을 수 있습니다. 이 장치에 전원을 차단하기 위해서는 모든 연결 단자를 제거해야만 합니다.

Waarschuwing

Deze eenheid kan meer dan één stroomtoevoeraansluiting bevatten. Alle aansluitingen dienen verwijderd te worden om het apparaat stroomloos te maken.

Backplane Voltage



Warning! Hazardous voltage or energy is present on the backplane when the system is operating. Use caution when servicing.

バックプレーンの電圧

システムの稼働中は危険な電圧または電力が、バックプレーン上にかかっています。

修理する際には注意ください。

警告

当系统正在进行时，背板上有很危险的电压或能量，进行维修时务必小心。

警告

當系統正在進行時，背板上有危險的電壓或能量，進行維修時務必小心。

Warnung

Wenn das System in Betrieb ist, treten auf der Rückwandplatine gefährliche Spannungen oder Energien auf. Vorsicht bei der Wartung.

¡Advertencia!

Cuando el sistema está en funcionamiento, el voltaje del plano trasero es peligroso. Tenga cuidado cuando lo revise.

Attention

Lorsque le système est en fonctionnement, des tensions électriques circulent sur le fond de panier. Prendre des précautions lors de la maintenance.

מתח בפנל האחורי

אזהרה!

קיימת סכנת מתח בפנל האחורי בזמן תפעול המערכת. יש להיזהר במהלך העבודה.

هناك خطر من التيار الكهربائي أو الطاقة المتجددة على اللوحة
عندما يكون النظام يعمل كه حذرا عند خدمة هذا الجهاز

경고!

시스템이 동작 중일 때 후면판 (Backplane)에는 위험한 전압이나 에너지가 발생 합니다.
서비스 작업 시 주의하십시오.

Waarschuwing

Een gevaarlijke spanning of energie is aanwezig op de backplane wanneer het systeem in gebruik is. Voorzichtigheid is geboden tijdens het onderhoud.

Comply with Local and National Electrical Codes



Warning! Installation of the equipment must comply with local and national electrical codes.

地方および国の電気規格に準拠

機器の取り付けはその地方および国の電気規格に準拠する必要があります。

警告

设备安装必须符合本地与本国电气法规。

警告

設備安裝必須符合本地與本國電氣法規。

Warnung

Die Installation der Geräte muss den Sicherheitsstandards entsprechen.

¡Advertencia!

La instalación del equipo debe cumplir con las normas de electricidad locales y nacionales.

Attention

L'équipement doit être installé conformément aux normes électriques nationales et locales.

תיאום חוקי החשמל הארצי
אזהרה!
התקנת הציוד חייבת להיות תואמת לחוקי החשמל המקומיים והארציים.

تركيب المعدات الكهربائية يجب أن يمتثل للقوايه المحلية والبطية المتعلقة
بالكهرباء

경고!

현 지역 및 국가의 전기 규정에 따라 장비를 설치해야 합니다.

Waarschuwing

Bij installatie van de apparatuur moet worden voldaan aan de lokale en nationale elektriciteitsvoorschriften.

Product Disposal



Warning! Ultimate disposal of this product should be handled according to all national laws and regulations.

製品の廃棄

この製品を廃棄処分する場合、国の関係する全ての法律・条例に従い処理する必要があります。

警告

本产品的废弃处理应根据所有国家的法律和规章进行。

警告

本產品的廢棄處理應根據所有國家的法律和規章進行。

Warnung

Die Entsorgung dieses Produkts sollte gemäß allen Bestimmungen und Gesetzen des Landes erfolgen.

¡Advertencia!

Al deshacerse por completo de este producto debe seguir todas las leyes y reglamentos nacionales.

Attention

La mise au rebut ou le recyclage de ce produit sont généralement soumis à des lois et/ou directives de respect de l'environnement. Renseignez-vous auprès de l'organisme compétent.

סילוק המוצר

אזהרה!

סילוק סופי של מוצר זה חייב להיות בהתאם להנחיות וחוקי המדינה.

التخلص النهائي من هذا المنتج ينبغي التعامل معه وفقا لجميع القوانين واللوائح الوطنية عند

경고!

이 제품은 해당 국가의 관련 법규 및 규정에 따라 폐기되어야 합니다.

Waarschuwing

De uiteindelijke verwijdering van dit product dient te geschieden in overeenstemming met alle nationale wetten en reglementen.

Fan Warning



Warning! Hazardous moving parts. Keep away from moving fan blades. The fans might still be turning when you remove the fan assembly from the chassis. Keep fingers, screwdrivers, and other objects away from the openings in the fan assembly's housing.

ファンの警告

警告!回転部品に注意。運転中は回転部(羽根)に触れないでください。シャーシから冷却ファン装置を取り外した際、ファンがまだ回転している可能性があります。ファンの開口部に、指、ドライバー、およびその他のものを近づけないで下さい。

警告!

警告! 危險的可移動性零件。請務必與轉動的風扇葉片保持距離。當您從機架移除風扇裝置，風扇可能仍在轉動。小心不要將手指、螺絲起子和其他物品太靠近風扇

警告

危險的可移動性零件。請務必與轉動的風扇葉片保持距離。當您從機架移除風扇裝置，風扇可能仍在轉動。小心不要將手指、螺絲起子和其他物品太靠近風扇。

Warnung

Gefährlich Bewegende Teile. Von den bewegenden Lüfterblätter fern halten. Die Lüfter drehen sich u. U. noch, wenn die Lüfterbaugruppe aus dem Chassis genommen wird. Halten Sie Finger, Schraubendreher und andere Gegenstände von den Öffnungen des Lüftergehäuses entfernt.

¡Advertencia!

Riesgo de piezas móviles. Mantener alejado de las aspas del ventilador. Los ventiladores podran dar vuelta cuando usted quite el montaje del ventilador del chasis. Mantenga los dedos, los destornilladores y todos los objetos lejos de las aberturas del ventilador

Attention

Pieces mobiles dangereuses. Se tenir a l'écart des lames du ventilateur Il est possible que les ventilateurs soient toujours en rotation lorsque vous retirerez le bloc ventilateur du châssis. Prenez garde à ce que doigts, tournevis et autres objets soient éloignés du logement du bloc ventilateur.

אזהרה!

חלקים נעים מסוכנים. התרחק מלהבי המאוורר בפעולה כאשר מסירים את חלקי המאוורר מהמארז, יתכן והמאווררים עדיין עובדים. יש להרחיק למרחק בטוח את האצבעות וכלי עבודה שונים מהפתחים בתוך המאוורר

تحذير! أجزاء متحركة خطيرة. ابتعد عن شفرات المروحة المتحركة. من الممكن أن المراوح لا تزال تدور عند إزالة كتلة المروحة من الهيكل يجب إبقاء الأصابع ومفكات البراغي وغيرها من الأشياء بعيدا عن الفتحات في كتلة المروحة

경고!

움직이는 위험한 부품. 회전하는 송풍 날개에 접근하지 마세요. 새시로부터 팬 조립품을 제거할 때 팬은 여전히 회전하고 있을 수 있습니다. 팬 조립품 외관의 열려있는 부분들로부터 손가락 및 스크류드라이버, 다른 물체들이 가까이 하지 않도록 배치해 주십시오.

Waarschuwing

Gevaarlijk bewegende onderdelen. Houd voldoende afstand tot de bewegende ventilatorbladen. Het is mogelijk dat de ventilator nog draait tijdens het verwijderen van het ventilatorsamenstel uit het chassis. Houd uw vingers, schroevendraaiers en eventuele andere voorwerpen uit de buurt van de openingen in de ventilatorbehuizing.

Power Cable and AC Adapter



Warning! When installing the product, use the provided or designated connection cables, power cables and AC adaptors. Using any other cables and adaptors could cause a malfunction or a fire. Electrical Appliance and Material Safety Law prohibits the use of UL or CSA -certified cables (that have UL/CSA shown on the cord) for any other electrical devices than products designated by Supermicro only.

電源コードとACアダプター

製品を設置する場合、提供または指定および購入された接続ケーブル、電源コードとACアダプターを該当する地域の条例や安全基準に適合するコードサイズやプラグと共に使用下さい。他のケーブルやアダプタを使用すると故障や火災の原因になることがあります。

電気用品安全法は、ULまたはCSA認定のケーブル(UL/CSAマークがコードに表記)を Supermicro が指定する製品以外に使用することを禁止しています。

警告

安装此产品时,请使用本身提供的或指定的或采购的连接线,电源线和电源适配器。包含遵照当地法规和安全要求的合规的电源线尺寸和插头。使用其它线材或适配器可能会引起故障或火灾。除了Supermicro所指定的产品,电气用品和材料安全法律规定禁止使用未经UL或CSA认证的线材。(线材上会显示UL/CSA符号)。

警告

安裝此產品時,請使用本身提供的或指定的或採購的連接線,電源線和電源適配器。包含遵照當地法規和安全要求的合規的電源線尺寸和插頭。使用其它線材或適配器可能會引起故障或火災。除了Supermicro所指定的產品,電氣用品和材料安全法律規定禁止使用未經UL或CSA認證的線材。(線材上會顯示UL/CSA符號)。

Warnung

Nutzen Sie beim Installieren des Produkts ausschließlich die von uns zur Verfügung gestellten Verbindungskabeln, Stromkabeln und/oder Adapter, die Ihre örtlichen Sicherheitsstandards einhalten. Der Gebrauch von anderen Kabeln und Adapter können Fehlfunktionen oder Feuer verursachen. Die Richtlinien untersagen das Nutzen von UL oder CAS zertifizierten Kabeln (mit UL/CSA gekennzeichnet), an Geräten oder Produkten die nicht mit Supermicro gekennzeichnet sind.

¡Advertencia!

Cuando instale el producto, utilice la conexión provista o designada o procure cables, Cables de alimentación y adaptadores de CA que cumplan con los códigos locales y los requisitos de seguridad, incluyendo el tamaño adecuado del cable y el enchufe. El uso de otros cables y adaptadores podría causar un mal funcionamiento o un incendio. La Ley de Seguridad de Aparatos Eléctricos y de Materiales prohíbe El uso de cables certificados por UL o CSA (que tienen el certificado UL / CSA en el código) para cualquier otros dispositivos eléctricos que los productos designados únicamente por Supermicro.

Attention

Lors de l'installation du produit, utilisez les cables de connection fournis ou désigné ou achetez des cables, cables de puissance et adaptateurs respectant les normes locales et les conditions de securite y compris les tailles de cables et les prises electriques appropries. L'utilisation d'autres cables et adaptateurs peut provoquer un dysfonctionnement ou un incendie. Appareils électroménagers et la Loi sur la Sécurité Matériel interdit l'utilisation de câbles certifiés- UL ou CSA (qui ont UL ou CSA indiqué sur le code) pour tous les autres appareils électriques sauf les produits désignés par Supermicro seulement.

AC ימאתמו מיילמשח מילבכ

!הרהזא

ךרוצל ומאתוה וא ושכרנ רשא AC מימאתמו מיקפס, מילבכב שמתשהל שי, רצומה תא מיניקתמ רשאכ לכב שומיש . עקתהו לבכה לש הנוכח הדימ ללוכ, תוימוקמה תוחיטבה תושירדל ומאתוה רשאו, הנקתהה למשחה ירישכמב שומישה יקוחל מאתהב. ילמשח רצק וא הלקתל מורגל לולע, רחא גוסמ מאתמ וא לבכ לש דוק מהילע עיפומ רשאכ) UL-ב או CSA-ב-ב מיכמסומה מילבכב שמתשהל רוסיא מייק, תוחיטבה יקוחו דבלב Supermicro י"ע מאתוה רשא רצומב קר אלא, רחא ילמשח רצומ לכ רובע (UL/CSA)

תאלבאלא אארשב מץ וא אדדחמלא וא ארפוטמלא תאליטוטלא מאדחטסאב מץ, אגתנמלא בייקרת דנע לכלז יפ אמב אילחמלא אמאלסלא תאבלטתמו נינאוץב מאזתלאלא אמ דדרתמלא ראיטלא תאלוחמו אילברמלא קיירח וא לטע יפ בבסטטי דץ ירשא תאלוחמו תאלבאלא יא מאדחטסא. מילסלא סבאלאו לטומוא מץ ח. CSA וא UL לביק נמ אדמטעמלא תאלבאלא מאדחטסא תאדעמלא אילברמלא אזהאלל אמאלסלא נונאק רזחי Supermicro לביק נמ אדדחמלא אילחמלא תאגתנמלא רייג ירשא תאדעמ יא אמ (UL/CSA) אמאלע למחתיטלאו

전원 케이블 및 AC 어댑터

경고! 제품을 설치할 때 현지 코드 및 적절한 굵기의 코드와 플러그를 포함한 안전 요구 사항을 준수하여 제공되거나 지정된 연결 혹은 구매 케이블, 전원 케이블 및 AC 어댑터를 사용하십시오.

다른 케이블이나 어댑터를 사용하면 오작동이나 화재가 발생할 수 있습니다. 전기 용품 안전법은 UL 또는 CSA 인증 케이블 (코드에 UL / CSA가 표시된 케이블)을 Supermicro가 지정한 제품 이외의 전기 장치에 사용하는 것을 금지합니다.

Stroomkabel en AC-Adapter

Waarschuwing! Bij het aansluiten van het Product uitsluitend gebruik maken van de geleverde Kabels of een andere geschikte aan te schaffen Aansluitmethode, deze moet altijd voldoen aan de lokale voorschriften en veiligheidsnormen, inclusief de juiste kabeldikte en stekker. Het gebruik van niet geschikte Kabels en/of Adapters kan een storing of brand veroorzaken. Wetgeving voor Elektrische apparatuur en Materiaalveiligheid verbied het gebruik van UL of CSA -gecertificeerde Kabels (met UL/CSA in de code) voor elke andere toepassing dan de door Supermicro hiervoor beoogde Producten.

Appendix B

System Specifications

Processors

Dual 4th and 5th Gen Intel Xeon Scalable processors in E (LGA-4677) sockets with four UPIs (16 GT/s max.) and a Thermal Design Power (TDP) of up to 270 W (Support conditions apply to certain CPUs.)

Chipset

Intel PCH Emmitsburg

BIOS

AMI SPI BIOS, Super Flash, EFI GUI, SPI dual/quad speed control, riser card auto detection support, RTC (Real Time Clock) wakeup, IPMIView, SMCIPMITOOL, IPMI CFG, SuperDoctor5, Redundant power supply unit detection, SPM, SUM-OOB/InBand

Memory

Supports up to 4 TB 3DS RDIMM/RDIMM DDR5 ECC memory

- 4th Gen: speeds of up to 4800 MT/s in 16 slots

- 5th Gen: speeds of up to 5600 MT/s in 16 slots

Storage Drives

Ten hot-swappable 2.5" hybrid front drive bays

Two onboard NVMe M.2 80 mm

PCI Expansion Slots

Two PCIe 5.0 x16 (FHHL) slots

Input/Output

Network: One or two AIOM modules (OCP 3.0 NIC)

BMC: Dedicated LAN port

USB: Two rear USB 3.0 ports, two front USB 2.0 ports

Video: One VGA port

COM: One serial port

Motherboard

X13DDW-A; Supermicro proprietary 12.30" (W) x 13.40" (L) (312.42 x 340.36 mm)

Chassis

LB16TS-R0AWNPN3; 1U Rackmount, (WxHxD) 17.2 x 1.7 x 23.5 in. (43.7 x 4.3 x 60 cm)

System Cooling

Six 4-cm counter-rotating fans, two CPU heatsinks, air shrouds to direct air flow

Power Supply

(Default) **PWS-861A-1R**, 860 W redundant modules, 80Plus Titanium level

Input:

100–127 VAC, 9.4–7.4 A
 200–240 VAC, 4.8–4.0 A
 240 VDC, 4.0 A (CCC only)
 50–60 Hz

Output:

800 W at 100–127 VAC
 860 W at 200–240 VAC
 860 W at 240 VDC for CCC only
 +12 V 66.6 A (800 W) / 71.67 A (860 W)
 +5 VSB 4 A

(Optional) **PWS-860P-1R2**, 860 W redundant modules, 80Plus Platinum level

Input:

100–127 VAC, 9–7.5 A
 200–240 VAC, 6–4.5 A
 240 VDC, 4.5 A (CCC only)
 50–60 Hz

Output:

800 W at 100–127 VAC
 860 W at 200–240 VAC
 860 W at 240 VDC for CCC only
 +12 V 66.6 A (800 W) / 71.6 A (860 W)
 +5 VSB 4 A

(Optional upgrade): **PWS-1K27A-1R** 1000 W/1200 W redundant modules, 80Plus Titanium level

Input:

100–127 VAC, 12.5–8.5 A
 200–240 VAC, 7.5–6.0 A
 240 VDC, 6.0 A (CCC only)
 50–60 Hz

Output:

1000 W at 100–127 VAC
 1200 W at 200–240 VAC
 1200 W at 240 VDC (CCC only)
 +12 V 83 A (1000 W) / 100 A (1200 W)
 +5 VSB 4 A

Operating Environment

Operating Temperature: 10° to 35° C (50° to 95° F)
 Non-operating Temperature: -40° to 60° C (-40° to 140° F)
 Operating Relative Humidity: 8% to 90% (non-condensing)
 Non-operating Relative Humidity: 5% to 95% (non-condensing)

Certified Safety Models

Compliant with UL or CSA: LB16CDC-R8X13, LB16CDC-R12X13, LB16-8, LB16-12

Regulatory Compliance

FCC, ICES, CE, VCCI, RCM, UKCA, NRTL, CB, KCC

Applied Directives, Standards

EMC/EMI: 2014/30/EU (EMC Directive)
Electromagnetic Compatibility Regulations 2016
FCC Part 15
ICES-003
VCCI-CISPR 32
AS/NZS CISPR 32
BS/EN55032
BS/EN55035
CISPR 32
CISPR 35
BS/EN 61000-3-2
BS/EN 61000-3-3
BS/EN 61000-4-2
BS/EN 61000-4-3
BS/EN 61000-4-4
BS/EN 61000-4-5
BS/EN 61000-4-6
BS/EN 61000-4-8
BS/EN 61000-4-11

Environment:

2011/65/EU (RoHS Directive)
EC 1907/2006 (REACH)
2012/19/EU (WEEE Directive)
California Proposition 65

Product Safety: 2014/35/EU (LVD Directive)

UL/CSA 62368-1 (USA and Canada)
Electrical Equipment (Safety) Regulations 2016
IEC/BS/EN 62368-1

Perchlorate Warning

California Best Management Practices Regulations for Perchlorate Materials: This Perchlorate warning applies only to products containing CR (Manganese Dioxide) Lithium coin cells. "Perchlorate Material-special handling may apply. See www.dtsc.ca.gov/hazardouswaste/perchlorate"

この装置は、クラスA機器です。この装置を住宅環境で使用すると電波妨害を引き起こすことがあります。この場合には使用者が適切な対策を講ずるよう要求されることがあります。

VCCI – A

General Data Center Environmental Specifications

Particulate contamination specifications

Air filtration: Data centers must be kept clean to Class 8 of ISO 14644-1 (ISO 2015). The air entering the data center should be filtered with a MERV 11 filter or better. The air within the data center should be continuously filtered with a MERV 8 filter or better.

Conductive dust: Air should be free of conductive dust, zinc whiskers, or other conductive particles.

Corrosive dust: Air should be free of corrosive dust.

Gaseous* contamination specifications

Copper coupon corrosion rate: <300 Å/month per class G1 as defined by ANSI/ISA71.04-2013, referenced by ASHRAE TC 9.9

Silver coupon corrosion rate: <200 Å/month per class G1 as defined by ANSI/ISA71.04-2013, referenced by ASHRAE TC 9.9

*If testing with silver or copper coupons results in values less than 200 Å/month or 300 Å/month, respectively, then operating up to 70% relative humidity (RH) is acceptable. If the testing shows corrosion levels exceed these limits, then catalyst-type pollutants are probably present and RH should be driven to 50% or lower.

BSMI RoHS Statement

限用物質含有情況標示聲明書

Declaration of the Presence Condition of the Restricted Substances Marking

| | | | | | | |
|--|--|------------------|------------------|--|--|--|
| 設備名稱: 伺服器/Server | | | | | | |
| 型號 (型式) : LB16CDC-R8X13 (系列型號: LB16CDC-R12X13, LB16 - 8 , LB16- 12, SYS-121C-TN10R) Type designation (Type) | | | | | | |
| 單元 Unit | 限用物質及其化學符號 Restricted substances and its chemical symbols | | | | | |
| | 鉛Lead (Pb) | 汞Mercury (Hg) | 鎘Cadmium (Cd) | 六價鉻 Hexavalent chromium (Cr ⁺⁶) | 多溴聯苯 Polybrominated biphenyls (PBB) | 多溴二苯醚 Polybrominated diphenyl ethers (PBDE) |
| 機殼 (Chassis) | ○ | ○ | ○ | ○ | ○ | ○ |
| 機殼風扇 (Chassis Fan) | - | ○ | ○ | ○ | ○ | ○ |
| 線材 (Cable) | ○ | ○ | ○ | ○ | ○ | ○ |
| 主機板 (Motherboard) | - | ○ | ○ | ○ | ○ | ○ |
| 電源供應器 (Power Supply) | - | ○ | ○ | ○ | ○ | ○ |
| 電源背板 (PDB) | - | ○ | ○ | ○ | ○ | ○ |
| 硬碟 (HDD / SSD) | - | ○ | ○ | ○ | ○ | ○ |
| 附加卡 (Add-on Card) | - | ○ | ○ | ○ | ○ | ○ |
| <p>備考1. “超出0.1 wt %” 及 “超出0.01 wt %” 係指限用物質之百分比含量超出百分比含量基準值。 Note 1 : “Exceeding 0.1 wt %” and “exceeding 0.01 wt %” indicate that the percentage content of the restricted substance exceeds the reference percentage value of presence condition.</p> <p>備考2. “○” 係指該項限用物質之百分比含量未超出百分比含量基準值。 Note 2 : “○” indicates that the percentage content of the restricted substance does not exceed the percentage of reference value of presence.</p> <p>備考3. “-” 係指該項限用物質為排除項目。 Note 3 : The “-” indicates that the restricted substance corresponds to the exemption.</p> | | | | | | |

警告: 為避免電磁干擾, 本產品不應安裝或使用於住宅環境。

輸入額定:

PWS-860P-1R2

100-127V ~, 60-50Hz, 9.5-7.5A (x2)

200-240V ~, 60-50Hz, 5.5-4.5A (x2)

PWS-1K27A-1R

100-127V ~, 60-50Hz, 12-8.5A (x2)

200-240V ~, 60-50Hz, 7.5-6A (x2)

PWS-861A-1R

100-127V ~, 60-50Hz, 9.4-7.4A (x2)

200-240V ~, 60-50Hz, 4.8-4.0A (x2)

*使用者不能任意拆除或替換內部配備

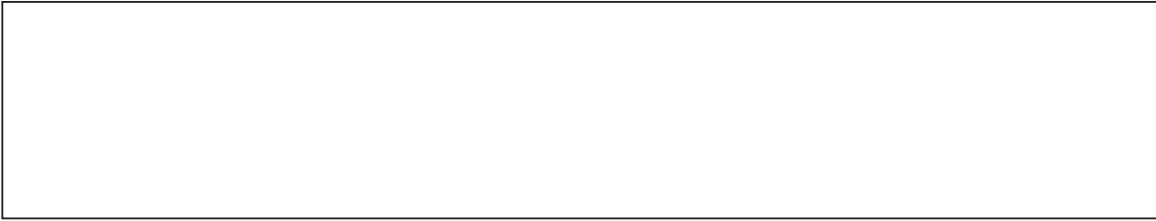
*報驗義務人之姓名或名稱：美超微電腦股份有限公司

*報驗義務人之地址：新北市中和區建一路 150 號 3 樓

限用物質含有情況標示聲明書


Declaration of the Presence Condition of the Restricted Substances Marking

| | | | | | | |
|---|--|------------------|------------------|--|--|--|
| 設備名稱: 伺服器/Server Equipment name | | | | | | |
| 型號 (型式) : LB16CDC-R6DX13 (系列型號: LB16-6D, SYS-121C-TN10R(DC)) Type designation (Type) | | | | | | |
| 單元 Unit | 限用物質及其化學符號 Restricted substances and its chemical symbols | | | | | |
| | 鉛Lead (Pb) | 汞Mercury (Hg) | 鎘Cadmium (Cd) | 六價鉻 Hexavalent chromium (Cr ⁺⁶) | 多溴聯苯 Polybrominated biphenyls (PBB) | 多溴二苯醚 Polybrominated diphenyl ethers (PBDE) |
| 機殼 (Chassis) | ○ | ○ | ○ | ○ | ○ | ○ |
| 機殼風扇 (Chassis Fan) | - | ○ | ○ | ○ | ○ | ○ |
| 線材 (Cable) | ○ | ○ | ○ | ○ | ○ | ○ |
| 主機板 (Motherboard) | - | ○ | ○ | ○ | ○ | ○ |
| 電源供應器 (Power Supply) | - | ○ | ○ | ○ | ○ | ○ |
| 電源背板 (PDB) | - | ○ | ○ | ○ | ○ | ○ |
| 硬碟 (HDD / SSD) | - | ○ | ○ | ○ | ○ | ○ |
| 附加卡 (Add-on Card) | - | ○ | ○ | ○ | ○ | ○ |
| <p>備考1. “超出0.1 wt %” 及 “超出0.01 wt %” 係指限用物質之百分比含量超出百分比含量基準值。</p> <p>Note 1 : “Exceeding 0.1 wt %” and “exceeding 0.01 wt %” indicate that the percentage content of the restricted substance exceeds the reference percentage value of presence condition.</p> <p>備考2. “○” 係指該項限用物質之百分比含量未超出百分比含量基準值。</p> <p>Note 2 : “○” indicates that the percentage content of the restricted substance does not exceed the percentage of reference value of presence.</p> <p>備考3. “-” 係指該項限用物質為排除項目。</p> <p>Note 3 : The “-” indicates that the restricted substance corresponds to the exemption.</p> | | | | | | |



輸入額定:

PWS-654-1R

-44 to -72Vdc  , 20A (x2)

*使用者不能任意拆除或替換內部配備

*報驗義務人之姓名或名稱：美超微電腦股份有限公司

*報驗義務人之地址：新北市中和區建一路 150 號 2 樓

Statement of Volatility

The Statement of Volatility provides information about volatile and non-volatile components of the SYS-121C-TN10R. When power is removed from the system, non-volatile components retain their data, while volatile components lose their data.

| SYS-121C-TN10R | | | | |
|-----------------------|--|------------|-----------|--|
| Device | Reference | Volatility | User Data | Procedure to Clear |
| X13DDW | | | | |
| PCH | U3 | YES | YES | Remove AC power and battery for five minutes |
| CPU VRM Controller | U51, U18, U27, U23, U50, U62, U70, U69 | NO | NO | Use software and utility to erase |
| BIOS Flash | UM16 | NO | NO | Use software and utility to erase |
| BMC Flash | UM13 | NO | NO | Use software and utility to erase |
| BMC SDRAM | UM2 | YES | YES | Remove AC power for two seconds |
| EMMC | U25 | NO | YES | Use software and utility to erase |
| CPLD Chip | U9 | NO | NO | Use programmer to erase |
| CPLD Dual Boot Flash | UM26 | NO | NO | Not allowed to clear |
| BPN-NVME5-LB16A-S10 | | | | |
| LCMX02-2000HC-4MG132C | U3 | NO | NO | Use programmer to clear |
| W25X40CLSSIG | U131 | NO | NO | Use programmer to clear |
| RSC-D-6G5 | | | | |
| AT24C02D-SSHM-T | U1 | NO | NO | Use software and utility to erase |
| RSC-DR-6G5 | | | | |
| AT24C02D-SSHM-T | U1 | NO | NO | Use software and utility to erase |
| PWS-861A-1R | | | | |
| STM32G071RBT6 | U401 | NO | NO | Use programmer to clear |
| M24C08-RDW6TP | U400 | NO | NO | Use programmer to clear |
| 78M6610+PSD/CK5T | U6 | NO | NO | Use programmer to clear |
| PWS-1K23A-1R | | | | |
| UCD3138064RGCR | U360 | NO | NO | Use programmer to clear |
| UCD3138RHAR | U204 | NO | NO | Use programmer to clear |