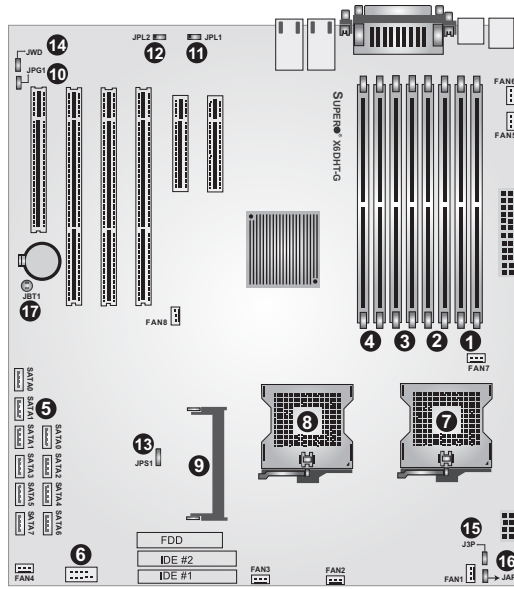


SuperServer 7044H-TR/T Serverboard Description



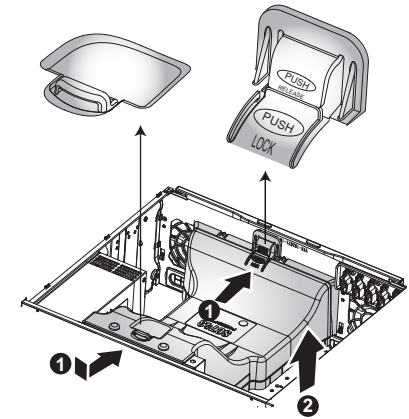
- ❶ DIMM 1A & 1B
- ❷ CPU#1 socket
- ❸ DIMM 2A & 2B
- ❹ DIMM 4A & 4B
- ❺ 10 SATA ports
- ❻ CPU#2 socket
- ❼ DIMM 3A & 3B
- ❼ SATA LED ports
- ❽ IPMI 2.0 socket

Jumper	Description	Default Setting
❽	JPG1 VGA Enabled/Disable	Pins 1-2 (Enabled)
❾	JPL1 GLAN 1 Enable/Disable	Pins 1-2 (Enabled)
❿	JPL2 GLAN 2 Enable/Disable	Pins 1-2 (Enabled)
⓫	JPS1 Marvell SATA Enable/Disable	Pins 1-2 (Enabled)
⓬	JWD Watch Dog	Pins 1-2 (Reset)
⓭	J3P 3rd Power Supply Detect	Open (Disabled)
⓮	JAR Alarm Reset Enable/Disable	Open (Disabled)
⓯	JBT1 CMOS Clear	

For more info go to <http://www.supermicro.com/support>

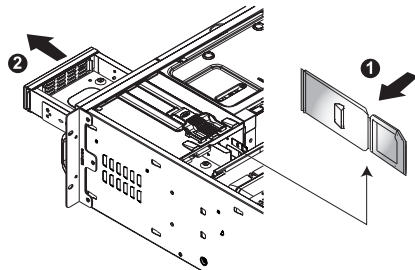


Accessing Fan Shroud



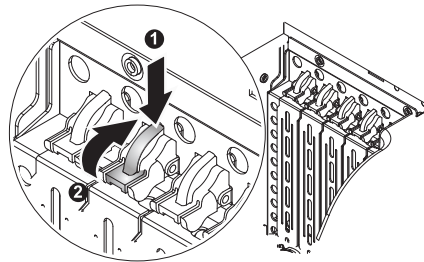
- ❶ Press release tabs on both ends of shroud
- ❷ Lift and remove the fan shroud as illustrated

5.25" Drive Bay



- ❶ Push release tab to unlock drive bay
- ❷ Slide drive bay outward

PCI/PCI-X Release



- ❶ To release: Press down on plastic arc
- ❷ Rotate entire clip

Front Panel LED



- | | | | | | | | |
|----------------|----------------|-------------|-----------------------|------------|------------|--------------------------------------|----------------------------------|
| ❶ | ❷ | ❸ | ❹ | ❺ | ❻ | ❼ | ❽ |
| ❶ Power Button | ❷ Reset Button | ❸ Power LED | ❹ Device Activity LED | ❺ LAN1 LED | ❻ LAN2 LED | ❼ Overheat & Fan Fail LED (blinking) | ❽ Power Fail LED (7044H-TR only) |