

## Appendix D: Information for Lot 9 of ErP (Ecodesign)

This appendix addresses European Union (EU) Eco-design requirements for servers and storage products. All data and ratings within this appendix are in reference only to the product(s) in this manual. The below information corresponds to requirements laid down in Annex II of the commission regulation 2019/424.

3(1)(a): See section 1.1 of this manual for the product type.

3(1)(b): See title page and preface of this manual for trademark and manufacturer's address.

3(1)(c): See title page for product model number(s).

3(1)(d): See serial number on the physical system to determine the year of manufacture.

3(1)(e)\*: PSU efficiency and power factor value (Table) (from 80 Plus report)

PSU Model #: PWS-2K20A-1R Watts: 2200W	PSU efficiency				power factor
	10 %	20 %	50 %	100 %	50 %
Single output (AC-DC)	93.49 %	95.26 %	96.26 %	94.38 %	0.99

### System (EUT) efficiency in **idle state** power

Representative Configurations	Measured Idle State Power (W)	Calculated Idle Power Allowance (W)
High-end performance configuration	569.1	1013.9
Typical Configuration	N/A	N/A
Low-end performance configuration	554.8	655.5

### System (EUT) efficiency in **active state** power

Representative Configurations	Active state efficiency score (Eff <sub>server</sub> )	Minimum active state efficiency for 2 socket server
High-end performance configuration	25.2	8
Typical Configuration	N/A	
Low-end performance configuration	17.4	

3(1)(f)\*:

3(1)(g)\*:

3(1)(h)\*:

3(1)(i)\*: The following components, if included with the product in this manual, contain additional idle power allowances: HDDs or SSDs, additional memory, and/or AOCs.

3(1)(j)\*:

3(1)(k)\*: The operating condition class is A2

Operating condition class	Dry bulb temp °C		Humidity range, non-condensing		Max dew point (°C)	Maximum rate of change (°C/hr)
	Allowable range	Recommended range	Allowable range	Recommended range		
A1	15- 32	18-27	- 12 °C Dew Point (DP) and 8 % relative humidity (RH) to 17 °C DP and 80 % RH	- 9 °C DP to 15 °C DP and 60 % RH	17	5/20
A2	10-35	18-27	- 12 °C DP and 8 % RH to 21 °C DP and 80 % RH	Same as A1	21	5/20
A3	5-40	18-27	- 12 °C DP and 8 % RH to 24 °C DP and 85 % RH	Same as A1	24	5/20
A4	5-45	18-27	- 12 °C DP and 8 % RH to 24 °C DP and 90 % RH	Same as A1	24	5/20

3(1)(l)\*: The idle state power at the higher boundary temperature of the operating conditions class is 569.1W

3(1)(m)\*: The active state efficiency and performance: 25.2

3(1)(n): Secure data deletion description here.----Chris/Michelle (SW) provide link

3(1)(o): List of recommended combinations of blade servers with chassis. – N/A

3(1)(p) List of all current SKUs within this product family.---- SYS-F619P2-FT, SYS-F619P2-FT+

3(3)(a): There is no use of cobalt in batteries in this product.

The indicative weight range of Neodymium in the HDD is 0.0 if manufactured by Western Digital, and is between 5-25 grams if manufactured by Seagate.

3(3)(b): Disassembling Instructions

## Illustrated System Disassembly Instructions

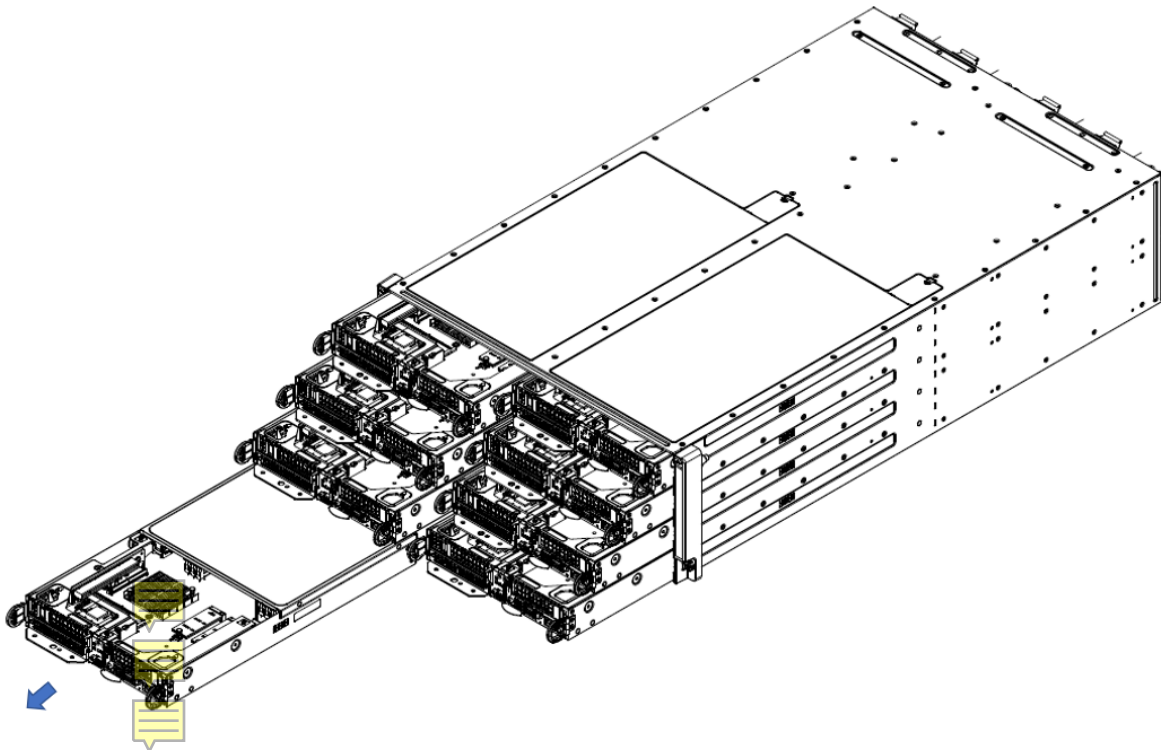
*Please note: All the graphs in this disassembly instruction are for demonstration only. Components in the graphs may not match exactly with the actual components.*

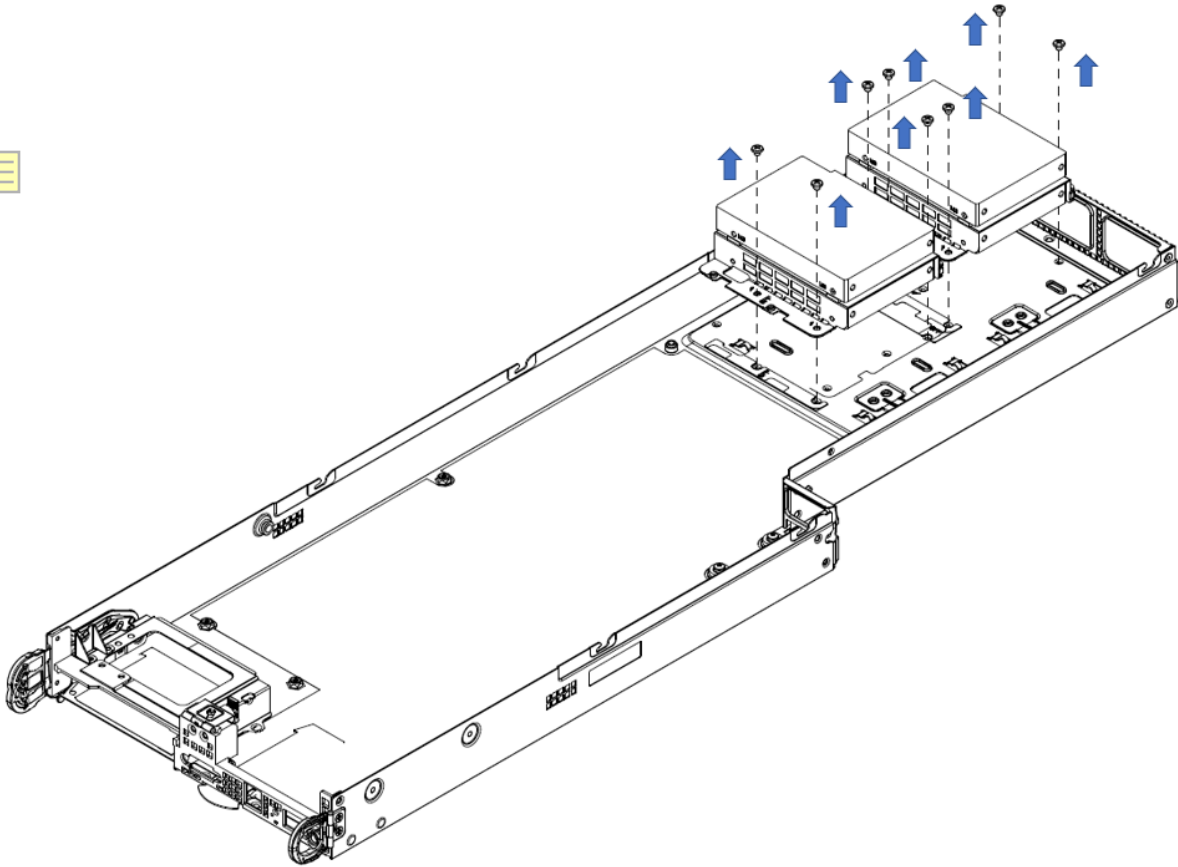
**Caution: Always power off system and unplug power cord(s) first before disassembling the system!**

SYS-F619P2-FT, SYS-F619P2-FT+

### Data storage devices

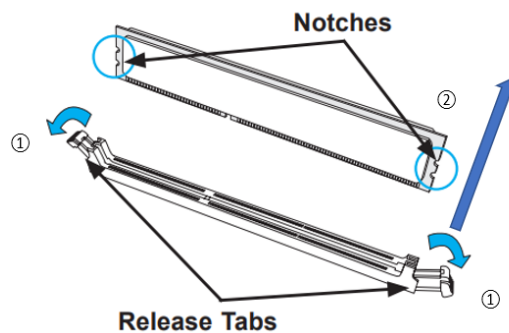
- Type of operation: Push the release button on the carrier. Swing the handle fully. Grasp the handle and pull the drive carrier out of its bay.
- Type and number of fastenings to be unlocked: 1 latch and 4 Phillips screws.
- Tools required: Screwdriver with PH2 bit.





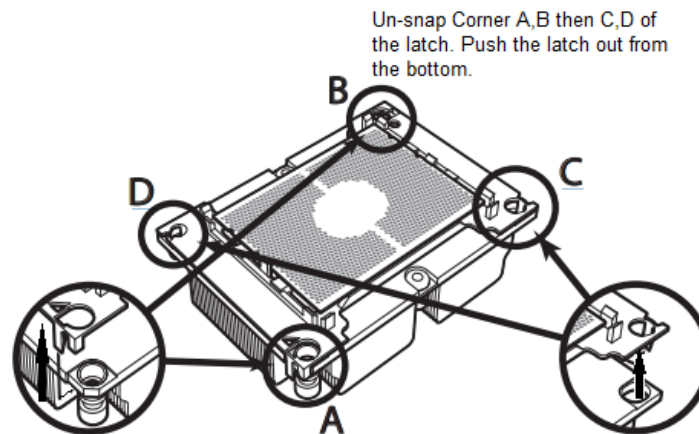
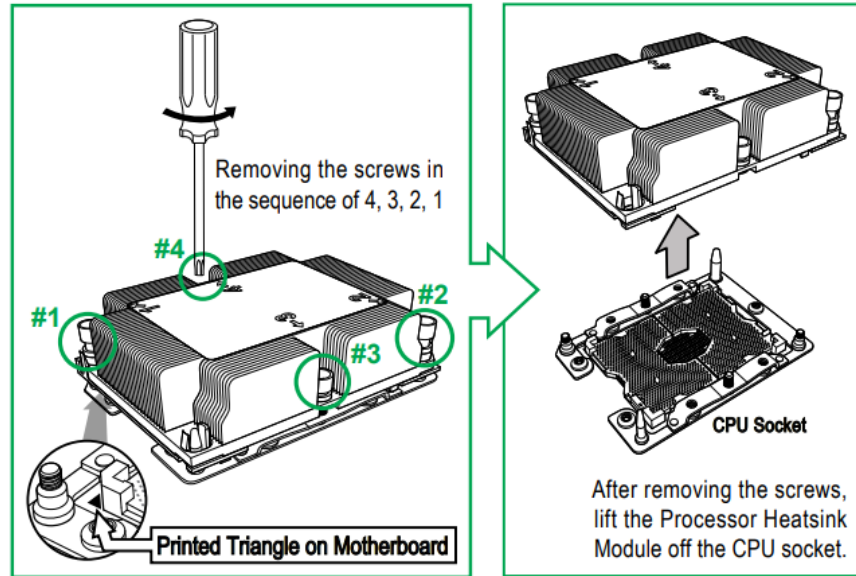
### Memory

- Type of operation: Press both release tabs on the ends of the DIMM module to unlock. Once the DIMM module is loosened, remove it from the memory slot.
- Type and number of fastenings to be unlocked: 2 latches per DIMM.
- Tools required: None.



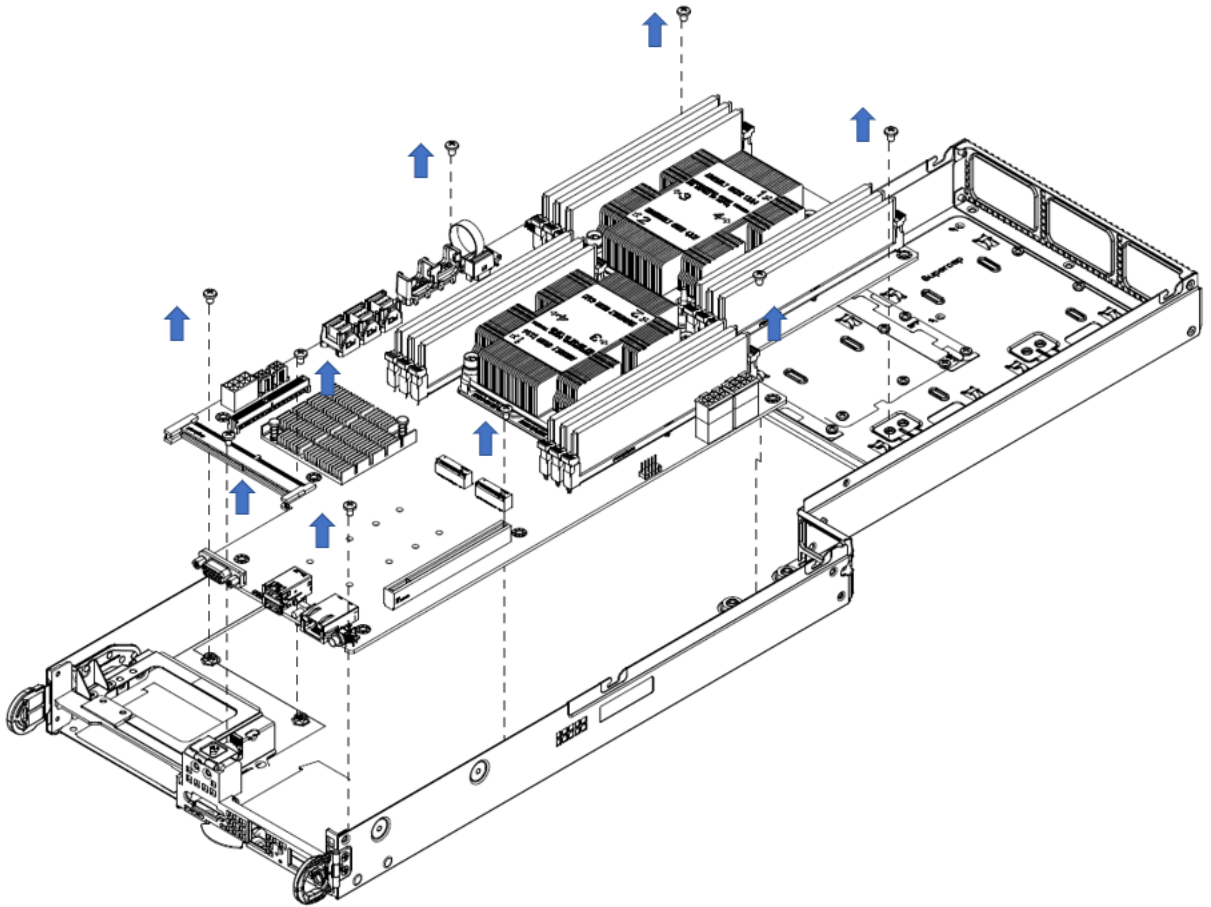
### Processor (CPU)

- Type of operation: Remove the screws in the sequence of 4, 3, 2, 1. After removing the screws, lift the Processor Heatsink Module off the CPU socket. Unsnap Corner A and B, then C and D of the latch. Push the latch out from the bottom.
- Type and number of fastenings to be unlocked: 4 T30 Torx screws.
- Tools required: Screwdriver with T30 Torx bit.



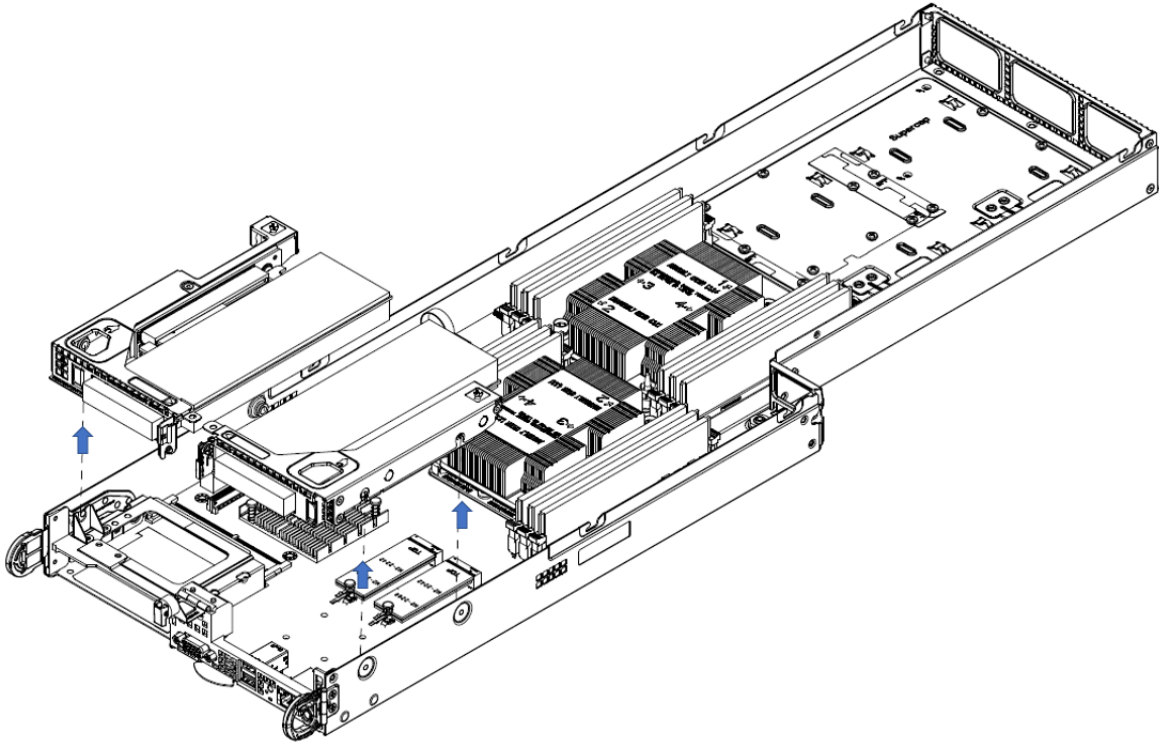
#### Motherboard

- Type of operation: Remove 8 Phillips screws. Lift the motherboard from its base.
- Type and number of fastenings to be unlocked: 8 Phillips screws.
- Tools required: Screwdriver with PH2 bit.



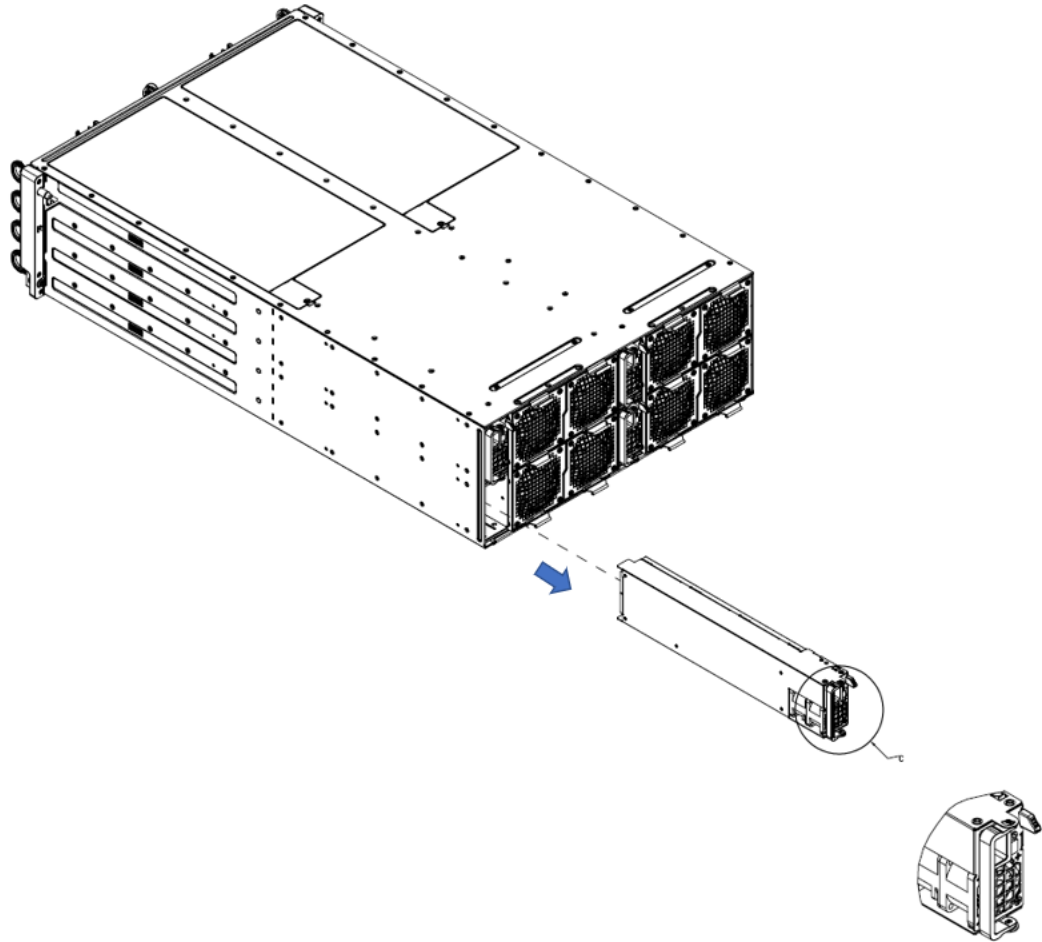
#### Expansion card/graphics card

- Type of operation: Remove the Phillips screw. Then open the rear window latch. Carefully remove the expansion card from the riser card slot, lifting it up and away from the system.
- Type and number of fastenings to be unlocked: 1 Phillips screw.
- Tools required: Screwdriver with PH2 bit.



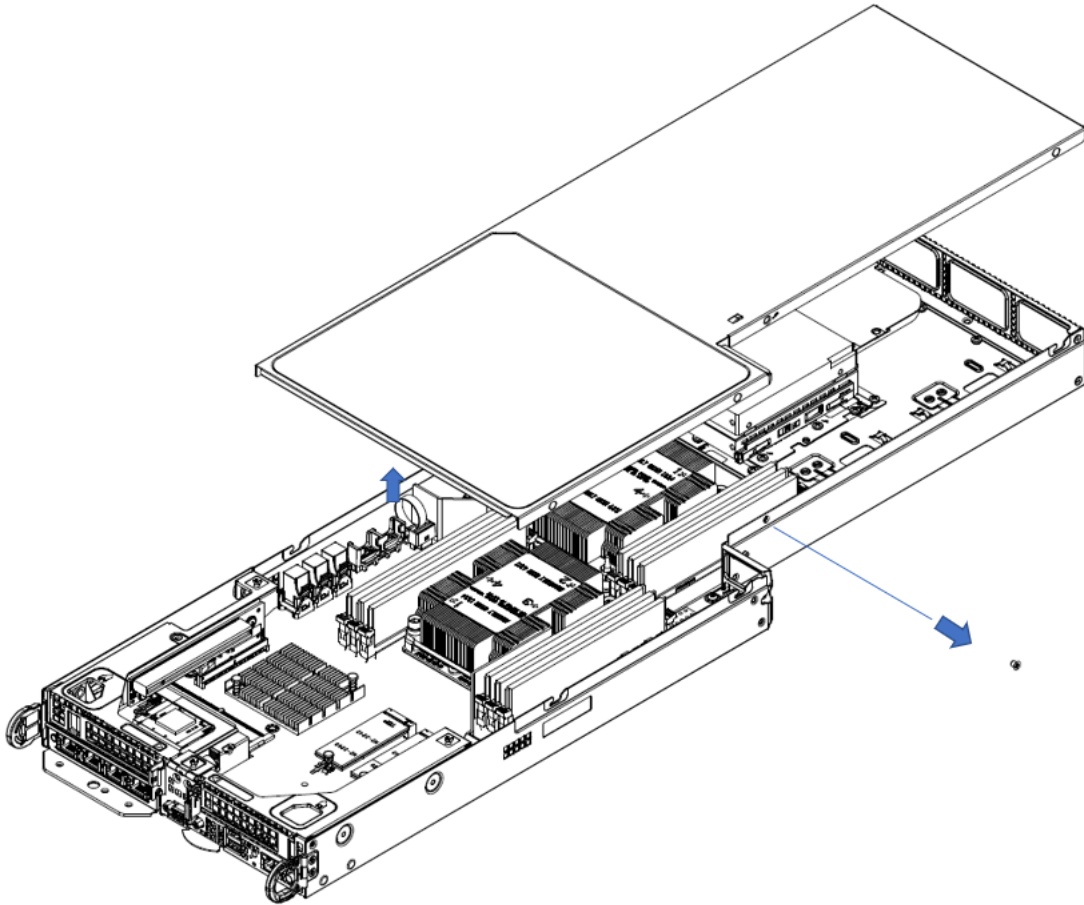
#### Power supply

- Type of operation: Unplug the power cord from the power supply. Push the release tab on the back of the power-supply module to the side and pull the module straight out.
- Type and number of fastenings to be unlocked: 1 latch per PSU.
- Tools required: None.



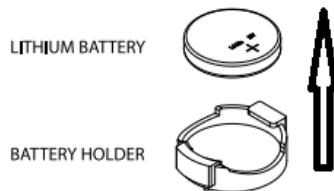
#### Chassis

- Type of operation: Apply pressure to the buttons and push away the top cover.
- Type and number of fastenings to be unlocked: None.
- Tools required: None.



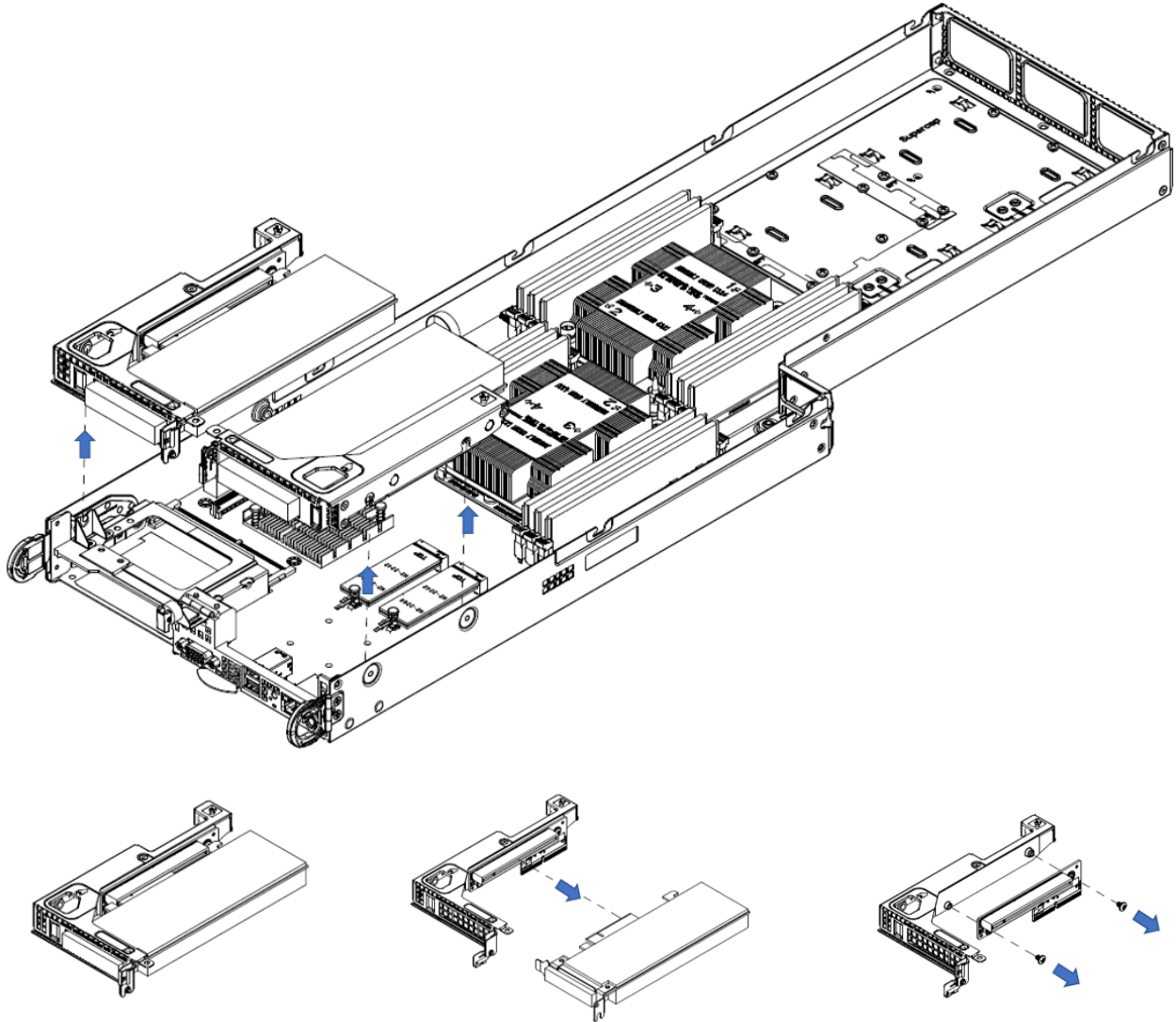
### Batteries

- Type of operation: Push aside the small clamp that covers the edge of the battery. When the battery is released, lift it out of the holder.
- Type and number of fastenings to be unlocked: 1 latch.
- Tools required: None.



### Riser Card

- Type of operation: Remove the screw and lift the riser card up from the motherboard expansion slot.
- Type and number of fastenings to be unlocked: 1 Phillips screw.
- Tools required: Screwdriver with PH2 bit.



#### Fans

- Type of operation: Disconnect the fan wiring from the fan header on the motherboard. Then remove the fan from the fan tray.
- Type and number of fastenings to be unlocked: 1 fan header per fan.
- Tools required: None.

