

## **Information for Lot 9 of ErP (Ecodesign)**

This addendum addresses European Union (EU) Ecodesign requirements for servers and storage products. All data and ratings within this addendum are in reference only to the Supermicro product(s) in the manual. The below information conforms to requirements laid down in Annex II of the Commission Regulation 2019/424.

- 3(1)(a): See Section 1.1 of the system manual for the product type.
- 3(1)(b): See the title page and preface of the system manual for the trademark and manufacturer's address.
- 3(1)(c): See the title page of the system manual for product model number(s).
- 3(1)(d): See the serial number on the physical system to determine the year of manufacture.
- 3(1)(e-j): **PSU Efficiency and Power Factor Value (Table) (From 80 Plus report)**

<b>PSU Model #: PWS-1K28P-SQ Watts: 1280W</b>	<b>PSU Efficiency</b>				<b>Power Factor</b>
<b>% of Rated Load</b>	<b>10 %</b>	<b>20 %</b>	<b>50 %</b>	<b>100 %</b>	<b>50 %</b>
Single Output (AC-DC)	90.76%	93.28%	95.08%	94.04%	0.99

### **System (EUT) Efficiency in Idle State Power (Table)**

<b>Representative Configurations</b>	<b>Measured Idle State Power (W)</b>	<b>Calculated Idle Power Allowance (W)</b>
High-End Performance Configuration	265.00	359.04
Typical Configuration	N/A	N/A
Low-End Performance Configuration	130.70	151.47

### **System (EUT) Efficiency in Active State Power (Table)**

<b>Representative Configurations</b>	<b>Active State Efficiency Score (Effserver)</b>	<b>Minimum Active State Efficiency</b>
High-End Performance Configuration	10	9
Typical Configuration	N/A	
Low-End Performance Configuration	9.6	

3(1)(k): The operating condition class is **A2**.

Operating condition class	Dry bulb temp °C		Humidity range, non-condensing		Max dew point (°C)	Maximum rate of change (°C/hr)
	Allowable range	Recommended range	Allowable range	Recommended range		
A1	15- 32	18-27	- 12 °C Dew Point (DP) and 8 % relative humidity (RH) to 17 °C DP and 80 % RH	- 9 °C DP to 15 °C DP and 60 % RH	17	5/20
A2	10-35	18-27	- 12 °C DP and 8 % RH to 21 °C DP and 80 % RH	Same as A1	21	5/20
A3	5-40	18-27	- 12 °C DP and 8 % RH to 24 °C DP and 85 % RH	Same as A1	24	5/20
A4	5-45	18-27	- 12 °C DP and 8 % RH to 24 °C DP and 90 % RH	Same as A1	24	5/20

3(1)(l): The idle state power at the higher boundary temperature of the operating conditions class is 312.70W.

3(1)(m): The active state efficiency and performance is a minimum of 9.6.

3(1)(n): There are two methods by which a user can securely delete data from this system. The user performing secure data deletion should be an IT professional.

The first is with a Unified Extensible Firmware Interface (UEFI) shell utility. This utility works on X10/X11/H11/H12/M11 motherboard series with onboard SATA/NVMe devices. Any user may access and download this utility through following link:

[https://www.supermicro.com/about/policies/disclaimer.cfm?url=/wftp/utility/Lot9\\_Secure\\_Data\\_Deletion\\_UTILITY/](https://www.supermicro.com/about/policies/disclaimer.cfm?url=/wftp/utility/Lot9_Secure_Data_Deletion_UTILITY/)

Download the shell utility package and extract it to a USB flash drive, then plug the drive into the server for which secure data deletion is necessary. Then turn the system on. Navigate to the BIOS setup menu, then place the server system into the UEFI shell environment. Follow the instructions in the README file to invoke the utility and complete the deletion.

The second method is through the secure data deletion tool provided by the original manufacturer of the hard drive. This should be used in a scenario where the shell utility is not applicable. Each manufacturer should have the tool available on their website. If needed, please look on the hard drive label for the name of the manufacturer and model information.

3(1)(o): List of recommended combinations of blade servers with chassis: N/A.

3(1)(p): List of all current SKUs within this product family: N/A.

3(3)(a): There is no use of cobalt in batteries in this product.

The indicative weight range of neodymium in the HDD is 0.0 if manufactured by Western Digital, and is between 5-25 grams if manufactured by Seagate.

3(3)(b): Please see the disassembly instructions on the next page.

# Illustrated System Disassembly Instructions

*Please note: All the illustrations in the below disassembly instructions are for demonstration only. Components shown here may not match exactly with the components in your system.*

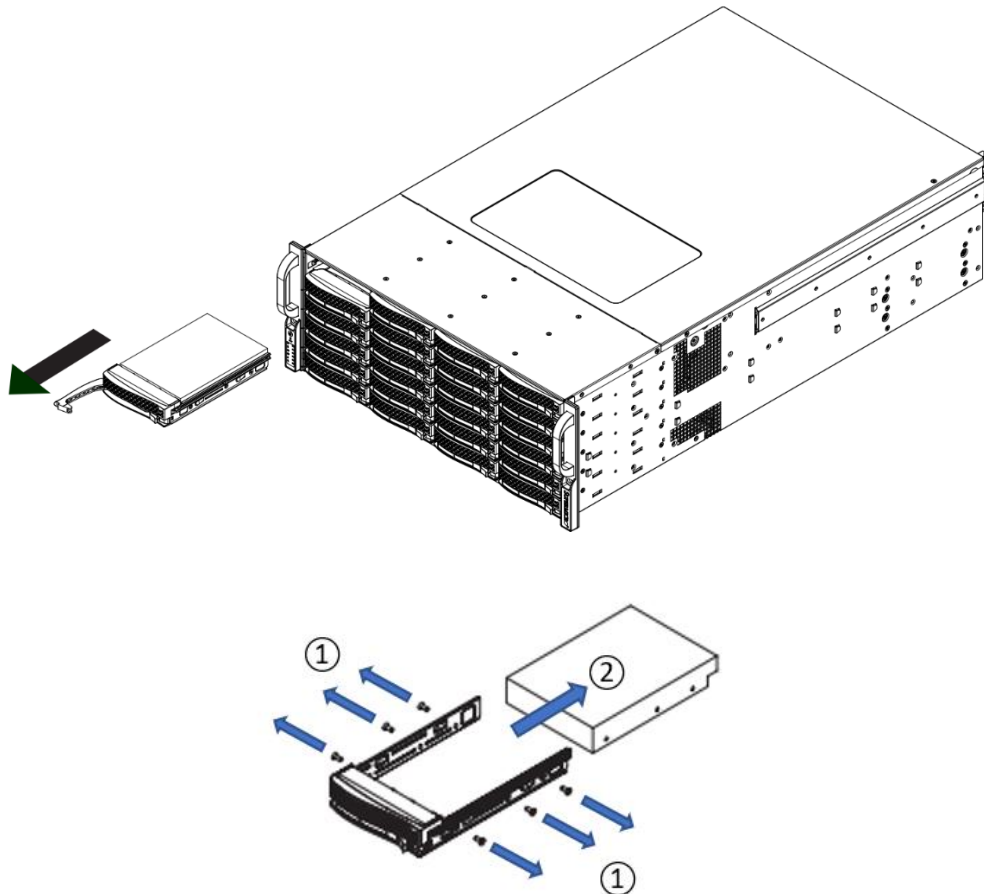
**CAUTION: Always power off the system and unplug the power cord(s) first before disassembling the system!**

## 1. Data Storage Devices

*Type and number of fastenings:* One (1) latch and six (6) Phillips screws.

*Tools required:* Screwdriver with PH2 bit.

*Procedure:* Push the release button on the carrier. Swing the handle fully. Grasp the handle and pull the drive carrier out of its bay.



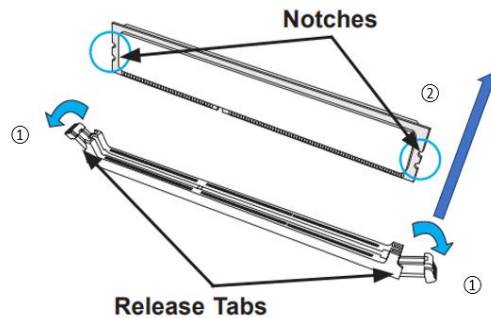
---

## 2. Memory

Type and number of fastenings: Two (2) latches per memory module.

Tools required: None.

Procedure: Press both release tabs on the ends of the memory module to unlock it. Once the module is loosened, remove it from the memory slot.



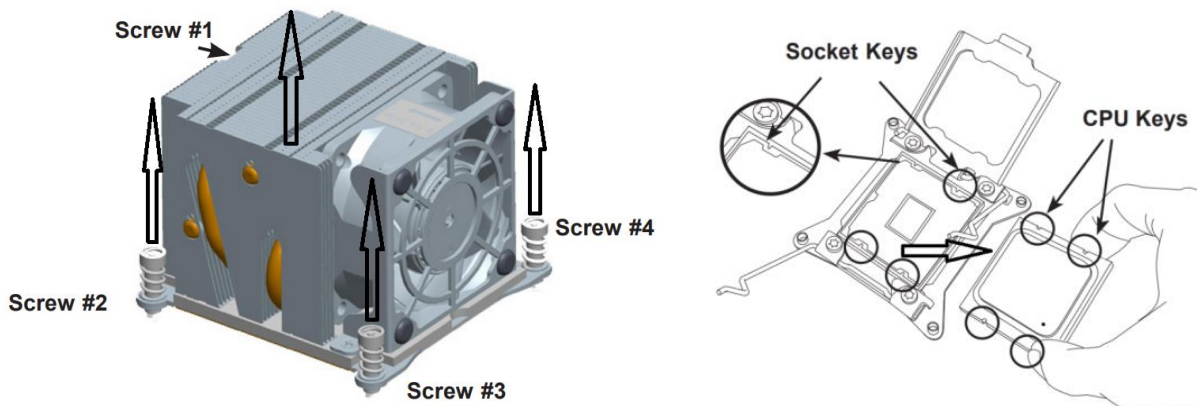
---

## 3. Processor (Socket LGA-2011)

Type and number of fastenings: Four (4) Phillips screws.

Tools required: Screwdriver with PH2 bit.

Procedure: First, detach the CPU active fan's power cord from the motherboard. After unscrewing the screws as indicated below, lift the processor heatsink module off the processor socket. There are two levers on the LGA2011 socket. First press and release the load lever labeled "Open 1<sup>st</sup>." Press the second load lever labeled "Close 1<sup>st</sup>" to release the load plate from its locked position. With the lever labeled "Close 1<sup>st</sup>" fully retracted, gently push down on the "Open 1<sup>st</sup>" lever to open the load plate. Lift the load plate to open it completely. Finally, carefully remove the CPU from its socket.



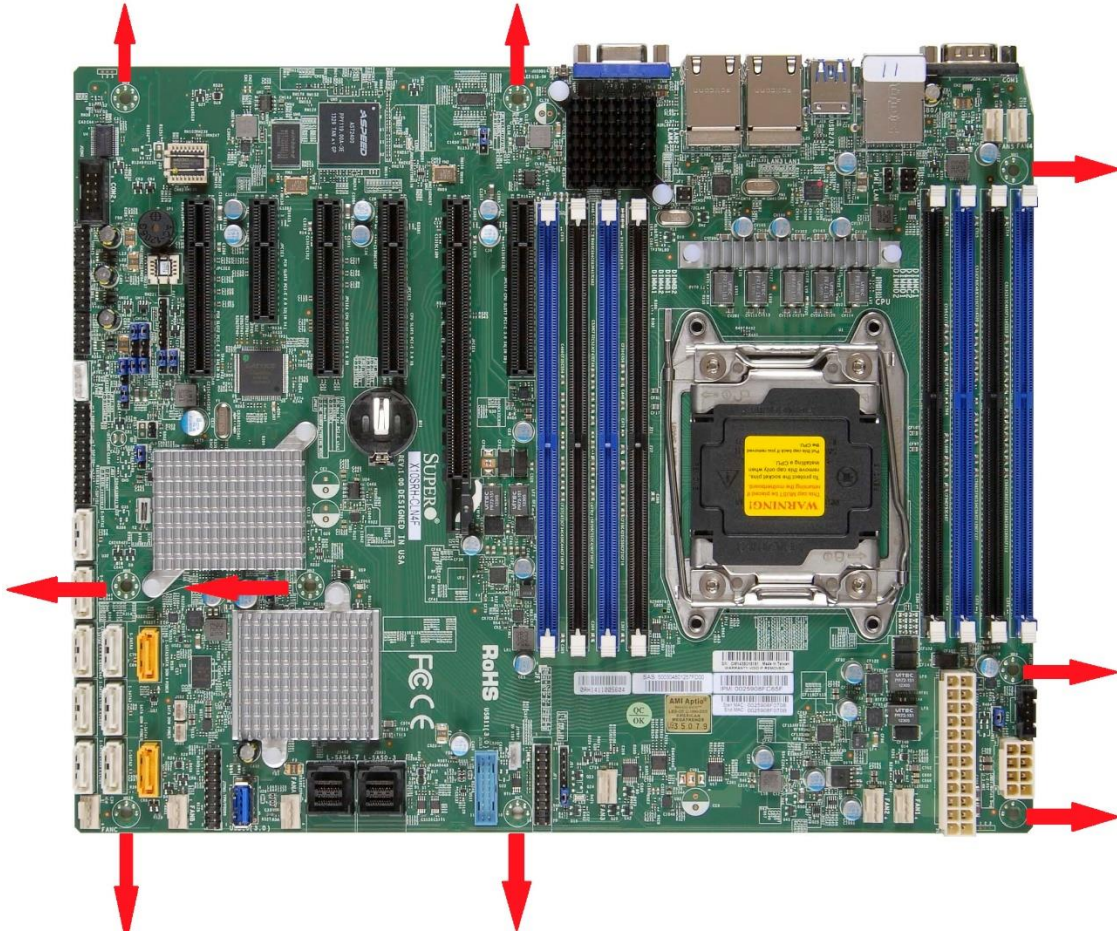
---

## 4. Motherboard

Type and number of fastenings: Nine (9) Phillips screws.

Tools required: Screwdriver with PH2 bit.

Procedure: Remove all Phillips screws. Lift the motherboard from its base.



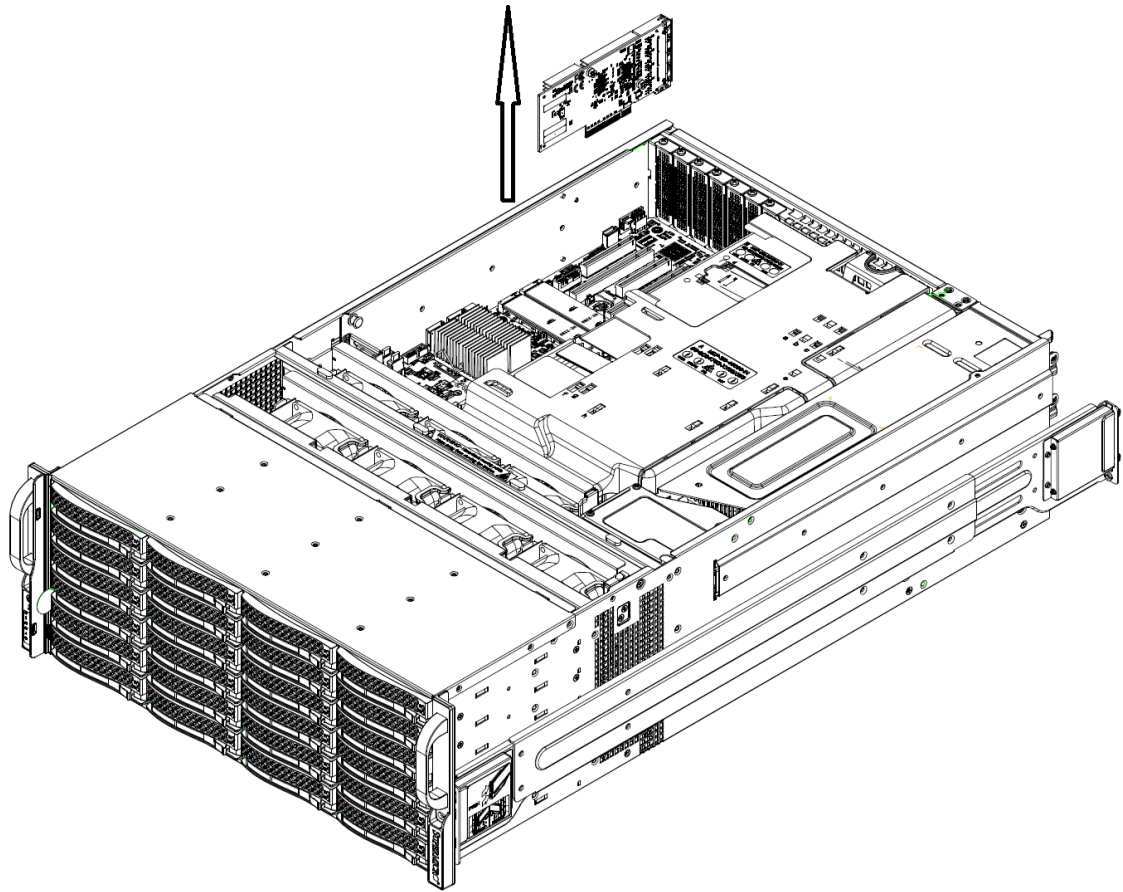
---

## 5. Expansion Card

*Type and number of fastenings:* Phillips screws (number may vary).

*Tools required:* Screwdriver with PH2 bit.

*Procedure:* Remove the Phillips screw(s) that secure the expansion card rear window at the top. Then carefully lift the expansion card from its PCI-E slot.



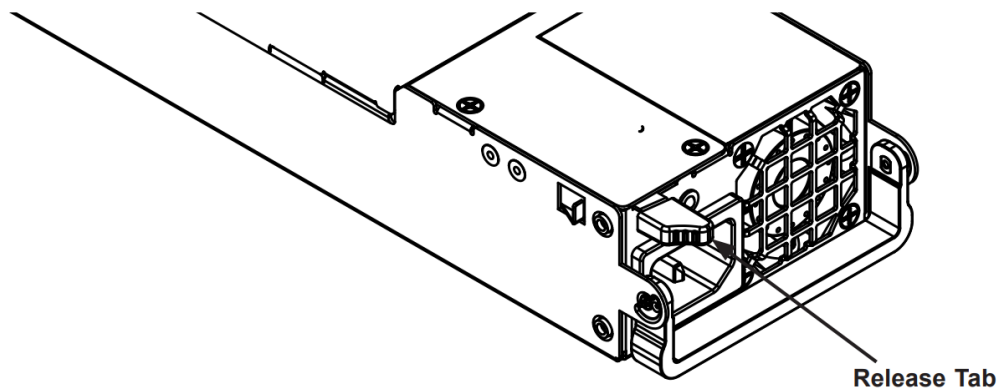
---

## 6. Power Supply Module

Type and number of fastenings: One (1) latch per module.

Tools required: None.

Procedure: Unplug the power cord from the power supply. Push the release tab on the back of the power supply module to the side and pull the module straight out with the handle.



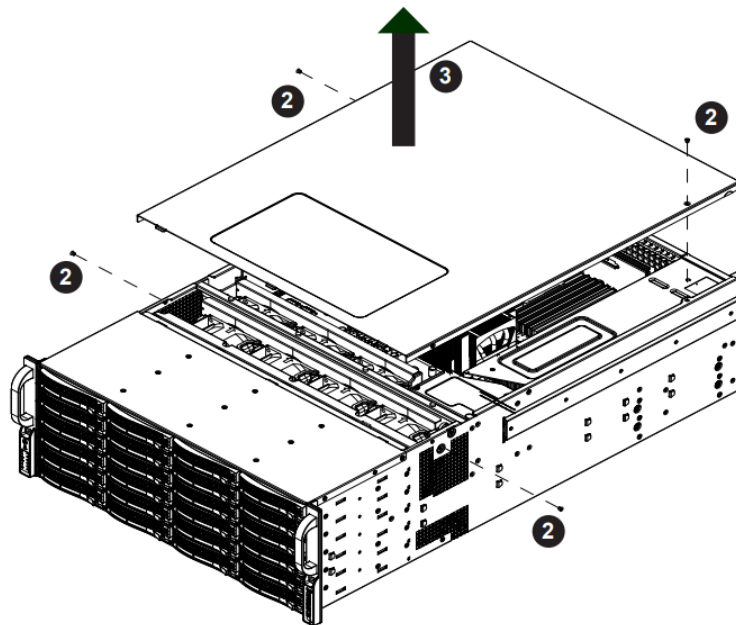
---

## 7. Chassis Cover

Type and number of fastenings: Two (2) Phillips screws and two (2) latches.

Tools required: Screwdriver with PH2 bit.

Procedure: Remove the screws from the sides of the chassis cover. Press both release tabs at the same time to unlock the cover. Then slide the cover toward the rear of the chassis. Finally, lift the cover off the chassis.



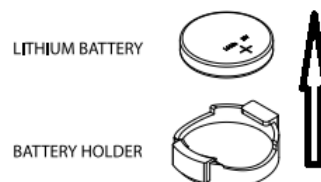
---

## 8. Batteries

Type and number of fastenings: One (1) latch.

Tools required: None.

Procedure: Push aside the small clamp that covers the edge of the battery. When the battery is released, lift it out of the holder.



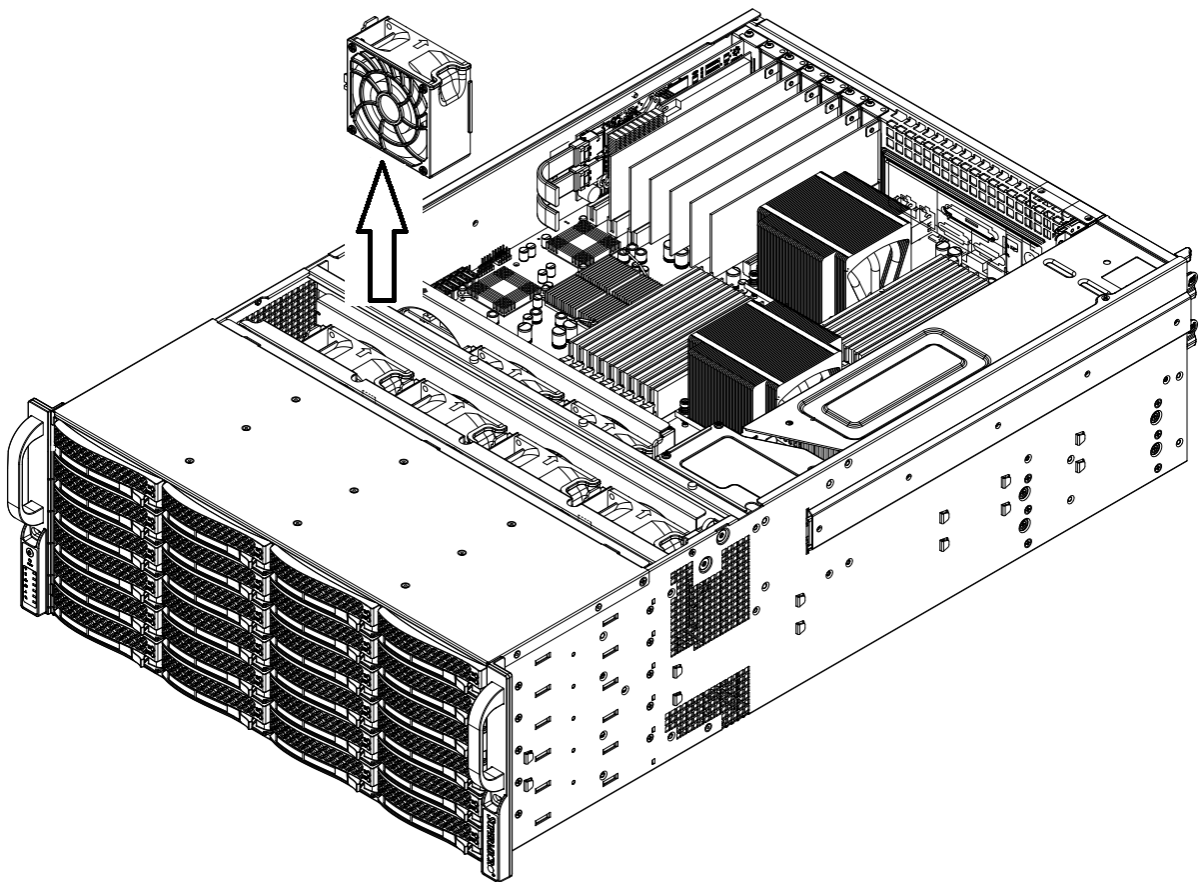
---

## 9. Fans

*Type and number of fastenings:* One (1) tab per fan.

*Tools required:* None.

*Procedure:* Press the tabs on the sides of the fan to unlock and remove the fan from its housing. The fan's power connections will automatically detach.



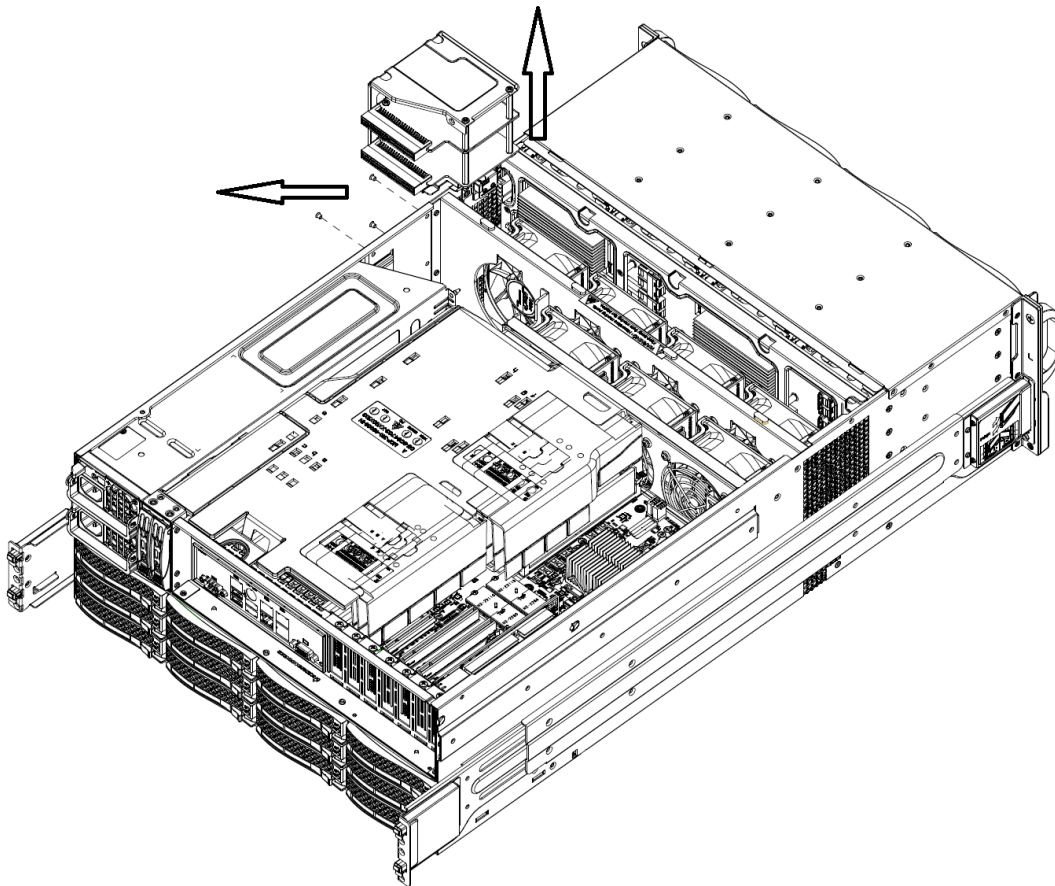
---

## 10. Power Distribution Board

Type and number of fastenings: Three (3) Phillips screws.

Tools required: Screwdriver with PH2 bit.

Procedure: First, remove the Phillips screws on the side. Then lift the power distribution unit from its base.



---

## 11. Backpanel

*Type and number of fastenings:* Phillips screws (number may vary).

*Tools required:* Screwdriver with PH2 bit.

*Procedure:* Disconnect all connected cables. Remove the Phillips screws that secure the metal bracket and backpanel. Slowly lift the backpanel from its slot and away.

