



A+ Server®  
AS -8126GS-TNMR

USER'S MANUAL

Revision 1.0 (MNL-2832)

The information in this User's Manual has been carefully reviewed and is believed to be accurate. The vendor assumes no responsibility for any inaccuracies that may be contained in this document, and makes no commitment to update or to keep current the information in this manual, or to notify any person or organization of the updates. Note: For the most up-to-date version of this manual, see our website at <https://www.supermicro.com>.

Super Micro Computer, Inc. ("Supermicro") reserves the right to make changes to the product described in this manual at any time and without notice. This product, including software and documentation, is the property of Supermicro and/or its licensors, and is supplied only under a license. Any use or reproduction of this product is not allowed, except as expressly permitted by the terms of said license.

IN NO EVENT WILL Super Micro Computer, Inc. BE LIABLE FOR DIRECT, INDIRECT, SPECIAL, INCIDENTAL, SPECULATIVE OR CONSEQUENTIAL DAMAGES ARISING FROM THE USE OR INABILITY TO USE THIS PRODUCT OR DOCUMENTATION, EVEN IF ADVISED OF THE POSSIBILITY OF SUCH DAMAGES. IN PARTICULAR, SUPER MICRO COMPUTER, INC. SHALL NOT HAVE LIABILITY FOR ANY HARDWARE, SOFTWARE, OR DATA STORED OR USED WITH THE PRODUCT, INCLUDING THE COSTS OF REPAIRING, REPLACING, INTEGRATING, INSTALLING OR RECOVERING SUCH HARDWARE, SOFTWARE, OR DATA.

Any disputes arising between manufacturer and customer shall be governed by the laws of Santa Clara County in the State of California, USA. The State of California, County of Santa Clara shall be the exclusive venue for the resolution of any such disputes. Supermicro's total liability for all claims will not exceed the price paid for the hardware product.

FCC Statement: This equipment has been tested and found to comply with the limits for a Class A or Class B digital device pursuant to Part 15 of the FCC Rules. These limits are designed to provide reasonable protection against harmful interference when the equipment is operated in industrial environment for Class A device or in residential environment for Class B device. This equipment generates, uses, and can radiate radio frequency energy and, if not installed and used in accordance with the manufacturer's instruction manual, may cause harmful interference with radio communications. Operation of this equipment in a residential area is likely to cause harmful interference, in which case you will be required to correct the interference at your own expense.

California Best Management Practices Regulations for Perchlorate Materials: This Perchlorate warning applies only to products containing CR (Manganese Dioxide) Lithium coin cells. "Perchlorate Material-special handling may apply. See <https://www.dtsc.ca.gov/hazardouswaste/perchlorate>".



WARNING: This product can expose you to chemicals including lead, known to the State of California to cause cancer and birth defects or other reproductive harm. For more information, go to <https://www.P65Warnings.ca.gov>.



AVERTISSEMENT : Ce produit peut vous exposer à des agents chimiques, y compris le plomb, identifié par l'État de Californie comme pouvant causer le cancer, des malformations congénitales ou d'autres troubles de la reproduction. Pour de plus amples informations, prière de consulter <https://www.P65Warnings.ca.gov>.

The products sold by Supermicro are not intended for and will not be used in life support systems, medical equipment, nuclear facilities or systems, aircraft, aircraft devices, aircraft/emergency communication devices or other critical systems whose failure to perform be reasonably expected to result in significant injury or loss of life or catastrophic property damage. Accordingly, Supermicro disclaims any and all liability, and should buyer use or sell such products for use in such ultra-hazardous applications, it does so entirely at its own risk. Furthermore, buyer agrees to fully indemnify, defend and hold Supermicro harmless for and against any and all claims, demands, actions, litigation, and proceedings of any kind arising out of or related to such ultra-hazardous use or sale.

Manual Revision 1.0

Release Date: January 09, 2026

Unless you request and receive written permission from Super Micro Computer, Inc., you may not copy any part of this document. Information in this document is subject to change without notice. Other products and companies referred to herein are trademarks or registered trademarks of their respective companies or mark holders.

Copyright © 2026 by Super Micro Computer, Inc.  
All rights reserved.

**Published in the United States of America**

# Preface

## About This Manual

This manual is written for professional system integrators and PC technicians. It provides information for the installation and use of the AS -8126GS-TNMR server. Installation and maintenance should be performed by certified service technicians only.

## Notes

For your system to work properly, follow the links below to download all necessary drivers/utilities and the user's manual for your server.

- Supermicro product manuals: <https://www.supermicro.com/support/manuals>
- Product drivers and utilities: <https://www.supermicro.com/wdl>
- Product safety info: [https://www.supermicro.com/about/policies/safety\\_information.cfm](https://www.supermicro.com/about/policies/safety_information.cfm)
- A secure data deletion tool designed to fully erase all data from storage devices can be found on our website:  
[https://www.supermicro.com/about/policies/disclaimer.cfm?url=/wdl/utility/Lot9\\_Secure\\_Data\\_Deletion\\_Utility](https://www.supermicro.com/about/policies/disclaimer.cfm?url=/wdl/utility/Lot9_Secure_Data_Deletion_Utility)
- Frequently Asked Questions: <https://www.supermicro.com/FAQ/index.php>
- If you still have questions after referring to our FAQs, contact our support team. Region-specific Technical Support email addresses can be found at: "[Contacting Supermicro](#)" on page 11
- If you have any feedback on Supermicro product manuals, contact our writing team at: [Techwriterteam@supermicro.com](mailto:Techwriterteam@supermicro.com)

This manual may be periodically updated without notice. Check the Supermicro website for possible updates to the manual revision level.

## Conventions Used in the Manual

Special attention should be given to the following symbols for proper installation and to prevent damage done to the components or injury to yourself.



**Warning!** Indicates important information given to prevent equipment/property damage or personal injury.



**Warning!** Indicates high voltage may be encountered while performing a procedure.

**Important:** Important information given to ensure proper server installation or to relay safety precautions.

**Note:** Additional information given to differentiate various models or to provide information for proper server setup.

# Contents

<b>Contacting Supermicro</b> .....	<b>11</b>
<b>Chapter 1: Introduction</b> .....	<b>12</b>
1.1 Overview .....	13
1.2 System Features .....	15
Front View .....	15
Drive Carrier Indicators .....	16
Control Panel .....	17
Rear View .....	18
1.3 System Architecture .....	19
Main Components .....	19
System Block Diagram .....	20
1.4 Motherboard Quick Reference .....	21
Motherboard Layout .....	21
Quick Reference Table .....	23
<b>Chapter 2: Server Installation</b> .....	<b>25</b>
2.1 Unpacking the System .....	26
2.2 Preparing for Setup .....	27
Choosing a Setup Location .....	27
Rack Precautions .....	27
System Precautions .....	27
Rack Mounting Considerations .....	28
Ambient Operating Temperature .....	29
Airflow .....	29
Mechanical Loading .....	29
Circuit Overloading .....	29
Reliable Ground .....	29
2.3 Installing the Rails .....	30
Identifying the Rails .....	30
Installing the Outer Rails onto the Rack .....	31
Installing the Chassis into a Rack .....	32
Removing the Chassis from the Rack .....	34

<b>Chapter 3: Maintenance and Component Installation</b> .....	<b>36</b>
3.1 Removing Power .....	38
3.2 Accessing the System .....	39
Removing the GPU Drawer .....	39
Removing the GPU Drawer Cover .....	40
Removing the CPU Drawer .....	42
Removing the LPIO Drawer .....	43
3.3 Static-Sensitive Devices .....	44
Precautions .....	44
3.4 Processor and Heatsink Installation .....	45
Preparing the Processor Socket .....	46
Installing the Processor into the Frame .....	48
Installing the Heatsink .....	51
Uninstalling the Heatsink and Processor .....	52
3.5 Memory Support and Installation .....	53
Memory Support .....	53
General Guidelines for Optimizing Memory Performance .....	54
DIMM Installation .....	55
DIMM Removal .....	57
DIMM Population .....	57
3.6 Motherboard Battery Removal and Installation .....	59
Battery Removal .....	59
Proper Battery Disposal .....	59
Battery Installation .....	59
3.7 Storage Drives .....	60
M.2 Storage .....	60
2.5" NVMe Storage Drive Trays .....	60
Installing 2.5" Storage Drives .....	61
Hot-Swap for NVMe Drives .....	63
Ejecting a Drive .....	63
Replacing a Drive .....	63
3.8 System Cooling .....	64
System Fans .....	64
Replacing a System Fan .....	64

Internal System Fans .....	66
Overheating .....	67
Overheat Temperature Setting .....	67
If the server overheats: .....	67
Air Shrouds .....	68
Installing the Air Shroud .....	68
3.9 Expansion Cards .....	69
PCIe Expansion Cards .....	69
Removing the Rear LPIO Drawer .....	69
3.10 Power Supply .....	70
Replacing the Power Supply .....	70
<b>Chapter 4: Motherboard Connections, Jumpers, and LEDs .....</b>	<b>72</b>
4.1 Power Supply Connectors .....	74
Power Supply .....	74
Power Supply Connectors .....	74
Fan Board 54 V 8-pin Connector .....	74
Backplane and BlueField-3 Card 12 V 8-pin Power Connectors .....	75
E1.S Backplane, M.2 Module, BlueField-3 Risers, and BlueField-3 Bridge Boards 12 V 4-pin Power Connectors .....	75
4.2 Headers and Connections .....	76
Fan Headers (FAN1 to FAN5) .....	76
TPM/Port 80 Header .....	76
NC-SI Connection .....	77
Fan Board I2C Header .....	77
NVMe/SATA I2C Header .....	78
Liquid Cooling Leak Detection Connector .....	78
MCIO M.2 NVMe Connector .....	78
Midplane and NIC Card Carrier Board Connectors .....	79
SATA Port .....	79
4.3 Front/Rear I/O Module Connectors .....	80
I/O Module Connectors .....	80
4.4 Jumper Settings .....	81
CMOS Clear .....	81
JPG1 .....	82

JUID1 .....	82
4.5 LED Indicators .....	83
Onboard Power LED (LED1) .....	83
RoT Status LED (LED2) .....	83
BMC Heartbeat LED (LED3) .....	83
<b>Chapter 5: Software .....</b>	<b>85</b>
5.1 Microsoft Windows OS Installation .....	86
Installing the OS .....	86
5.2 Driver Installation .....	88
5.3 BMC .....	89
BMC ADMIN User Password .....	89
<b>Chapter 6: Optional Components .....</b>	<b>90</b>
6.1 TPM Security Module .....	91
6.2 HBA Card .....	92
6.3 RAID Cards .....	93
6.4 Cable Management Arm .....	94
Installing the Cable Management Arm .....	95
Removing the Cable Management Arm .....	96
6.5 Intel Virtual RAID on CPU (VROC) .....	97
Requirements and Restrictions .....	97
Additional Information .....	97
Hardware Key .....	98
Configuring Intel VMD .....	99
Configuring VMD Manually .....	99
Creating NVMe RAID Configurations .....	103
Status Indications .....	105
Hot-Swap Drives .....	105
Hot-Unplug .....	105
Hot-Plug .....	106
Related Information Links .....	106
<b>Chapter 7: Troubleshooting and Support .....</b>	<b>107</b>
7.1 Online Resources .....	108
Direct Links for the AS -8126GS-TNMR System .....	108
Direct Links for General Support and Information .....	108

7.2 Baseboard Management Controller (BMC) .....	109
7.3 Troubleshooting Procedures .....	110
Before Power On .....	110
No Power .....	110
No Video .....	110
System Boot Failure .....	110
Memory Errors .....	111
Losing the System's Setup Configuration .....	111
If the System Becomes Unstable .....	111
7.4 CMOS Clear .....	113
7.5 Motherboard Battery .....	114
7.6 Where to Get Replacement Components .....	115
7.7 Technical Support Procedures .....	116
Returning Merchandise for Service .....	116
7.8 Feedback .....	118
<b>Chapter 8: UEFI BIOS .....</b>	<b>119</b>
8.1 Introduction .....	120
Updating BIOS .....	120
Starting the Setup Utility .....	120
8.2 Main Setup .....	122
8.3 Advanced Setup Configuration .....	124
Boot Feature .....	124
CPU Configuration .....	126
NB Configuration .....	130
ACPI Settings .....	133
Super IO Configuration Menu .....	134
Serial Port 1 Configuration Menu .....	134
Serial Port 2 Configuration Menu .....	135
Serial Port Console Redirection Menu .....	135
PCIe/PCI/PnP Configuration Menu .....	137
USB Configuration .....	139
Network Configuration Menu .....	140
SATA Configuration Menu .....	142
HTTP Boot Configuration Menu .....	142

---

---

Supermicro KMS Server Configuration .....	143
Super-Guardians Configuration .....	145
TLS Authenticate Configuration .....	147
RAM Disk Configuration .....	147
BROADCOM Configuration Utility .....	148
Driver Health Menu .....	149
8.4 BMC .....	151
System Event Log Menu .....	151
BMC Network Configuration Menu .....	152
8.5 Event Logs .....	155
8.6 Security .....	157
8.7 Boot .....	160
8.8 Save & Exit .....	162
<b>Appendix A: BIOS Codes .....</b>	<b>164</b>
BIOS Error POST (Beep) Codes .....	164
Additional BIOS POST Codes .....	164
<b>Appendix B: Standardized Warning Statements for AC Systems .....</b>	<b>165</b>
Warning Definition .....	165
Installation Instructions .....	167
Circuit Breaker .....	169
Power Disconnection Warning .....	170
Equipment Installation .....	172
Rack Stability Hazard .....	173
Restricted Area .....	175
Battery Handling .....	177
Redundant Power Supplies .....	178
Backplane Voltage .....	180
Comply with Local and National Electrical Codes .....	181
Product Disposal .....	182
Fan Warning .....	184
Power Cable and AC Adapter .....	186
<b>Appendix C: System Specifications .....</b>	<b>189</b>

## Contacting Supermicro

### Headquarters

Address: Super Micro Computer, Inc.  
980 Rock Ave.  
San Jose, CA 95131 U.S.A.

Tel: +1 (408) 503-8000

Fax: +1 (408) 503-8008

Email: [Marketing@supermicro.com](mailto:Marketing@supermicro.com) (General Information)  
[Sales-USA@supermicro.com](mailto:Sales-USA@supermicro.com) (Sales Inquiries)  
[Government\\_Sales-USA@supermicro.com](mailto:Government_Sales-USA@supermicro.com) (Gov. Sales Inquiries)  
[Support@supermicro.com](mailto:Support@supermicro.com) (Technical Support)  
[RMA@Supermicro.com](mailto:RMA@Supermicro.com) (RMA Support)  
[Webmaster@supermicro.com](mailto:Webmaster@supermicro.com) (Webmaster)

Website: <https://www.supermicro.com>

### Europe

Address: Super Micro Computer B.V.  
Het Sterrenbeeld 28, 5215 ML  
's-Hertogenbosch, The Netherlands

Tel: +31 (0) 73-6400390

Fax: +31 (0) 73-6416525

Email: [Sales\\_Europe@supermicro.com](mailto:Sales_Europe@supermicro.com) (Sales Inquiries)  
[Support\\_Europe@supermicro.com](mailto:Support_Europe@supermicro.com) (Technical Support)  
[RMA\\_Europe@supermicro.com](mailto:RMA_Europe@supermicro.com) (RMA Support)

Website: <https://www.supermicro.nl>

### Asia-Pacific

Address: Super Micro Computer, Inc.  
3F, No. 150, Jian 1st Rd.  
Zhonghe Dist., New Taipei City 235 Taiwan (R.O.C)

Tel: +886 (2) 8226-3990

Fax: +886 (2) 8226-3992

Email: [Sales-Asia@supermicro.com.tw](mailto:Sales-Asia@supermicro.com.tw) (Sales Inquiries)  
[Support@supermicro.com.tw](mailto:Support@supermicro.com.tw) (Technical Support)  
[RMA@supermicro.com.tw](mailto:RMA@supermicro.com.tw) (RMA Support)

Website: <https://www.supermicro.com.tw>

# Chapter 1:

## Introduction

This chapter provides a brief outline of the functions and features of the AS -8126GS-TNMR system. It is based on the H14DSG-OD motherboard and the CSE-GP805TS chassis.

---

<b>1.1 Overview</b> .....	<b>13</b>
<b>1.2 System Features</b> .....	<b>15</b>
Front View .....	15
Rear View .....	18
<b>1.3 System Architecture</b> .....	<b>19</b>
Main Components .....	19
System Block Diagram .....	20
<b>1.4 Motherboard Quick Reference</b> .....	<b>21</b>
Motherboard Layout .....	21
Quick Reference Table .....	23

## 1.1 Overview

This chapter provides a brief outline of the functions and features of the A+ Server AS - 8126GS- TNMR. The following provides an overview of the system specifications and capabilities.

System Overview	
Motherboard	H14DSG-OD
Chassis	CSE-GP805TS
Processor	Dual AMD EPYC™ 9004/9005-series processors in SP5 sockets with a Thermal Design Power (TDP) up to 500 W  <b>Note:</b> The TDP depends on thermal validation and system configuration. Contact a Supermicro representative for details.
Memory	Total 24 DIMM slots that support up to 6 TB of ECC DDR RDIMM memory with speeds of up to 4800 MT/s (9004-series CPUs), or speeds of up to 6400 MT/s (9005-series CPUs)
Drive Support	Two front hot-swap 2.5" SATA drive bays Eight front hot-swap 2.5" NVMe drive bays
Expansion Slots	Eight PCIe 5.0 x16 LP slots Two PCIe 5.0 x16 FHHL slots Two M.2 PCIe 3.0 x4 NVMe slots [M-key 22110 (default)]
I/O Ports	One RJ45 1 GbE dedicated BMC LAN port Two USB 3.0 Type-A ports (rear) One VGA port One TPM header
System Cooling	10 heavy-duty fans with optimal fan speed control One air shroud
Power	Six 5250 W redundant (3+3) Titanium Level (96%) power supplies  <b>Note:</b> Power supply redundancy based on configuration and application load
Form Factor	8U rackmount; (HxWxD) 13.8" x 17.6" x 33.2" (356 x 447 x 843 mm)

**Notes:**

- A Quick Reference Guide can be found on the following page of the Supermicro website:

<https://www.supermicro.com/en/products/system/gpu/8u/as%20-8126gs-tnmr>

- The following safety models associated with the AS -8126GS-TNMR have been certified as compliant with UL or CSA: GP805-H52H14

## 1.2 System Features

The following views of the system display the main features. Refer to the System Specifications appendix of this manual for additional specifications.

### Front View

The following features are located on the front of the AS -8126GS-TNMR server.

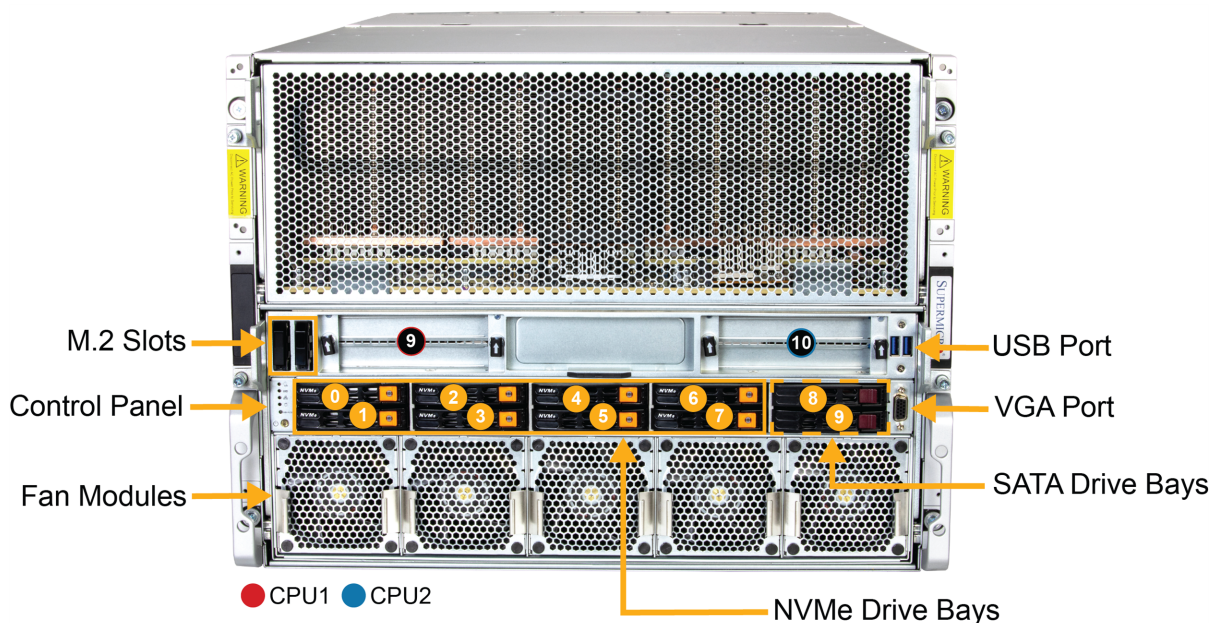


Figure 1-1. AS -8126GS-TNMR Front View

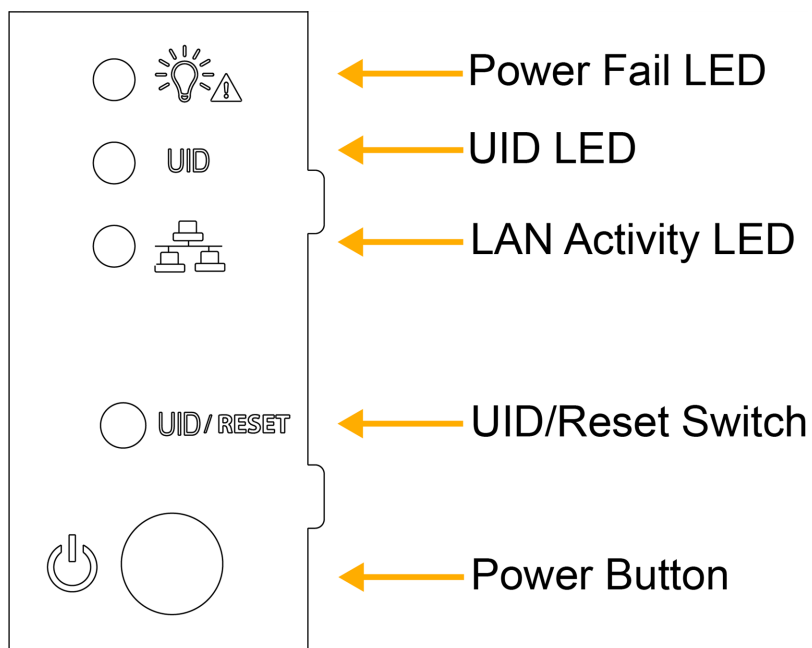
System Features: Front	
Feature	Description
M.2 Slots	Two M.2 PCIe 3.0 x4 NVMe slots
Control Panel	See "Control Panel" on page 17 for details
Fan Modules	Five hot-swap fan modules
USB Port	Two USB Type-A ports
VGA Port	One VGA port
SATA Drive Bays	Two front hot-swap 2.5" SATA drive bays
NVMe Drive Bays	Eight front hot-swap 2.5" M.2 NVMe drive bays

## Drive Carrier Indicators

Each drive carrier has two LED indicators: an activity indicator and a status indicator. For RAID configurations using a controller, the meaning of the status indicator is described in the table below.

Drive Carrier LED Indicators			
LED	Color	Pattern	Device Behavior
Activity LED	Blue	Solid	Idle SAS/NVMe drive installed
	Blue	Blinking	I/O activity
	Off	N/A	Idle SATA or no drive
Status LED	Red	Solid	Failure of drive with RSTe support
	Red	Blinking at 1 Hz	Rebuild drive with RSTe support
	Red	Blinking with two blinks and one stop at 1 Hz	Hot spare for drive with RSTe support
	Red	On for five seconds, then off	Power on for drive with RSTe support
	Red	Blinking at 4 Hz	Identify drive with RSTe support
	Off	N/A	Idle SATA or no drive

## Control Panel

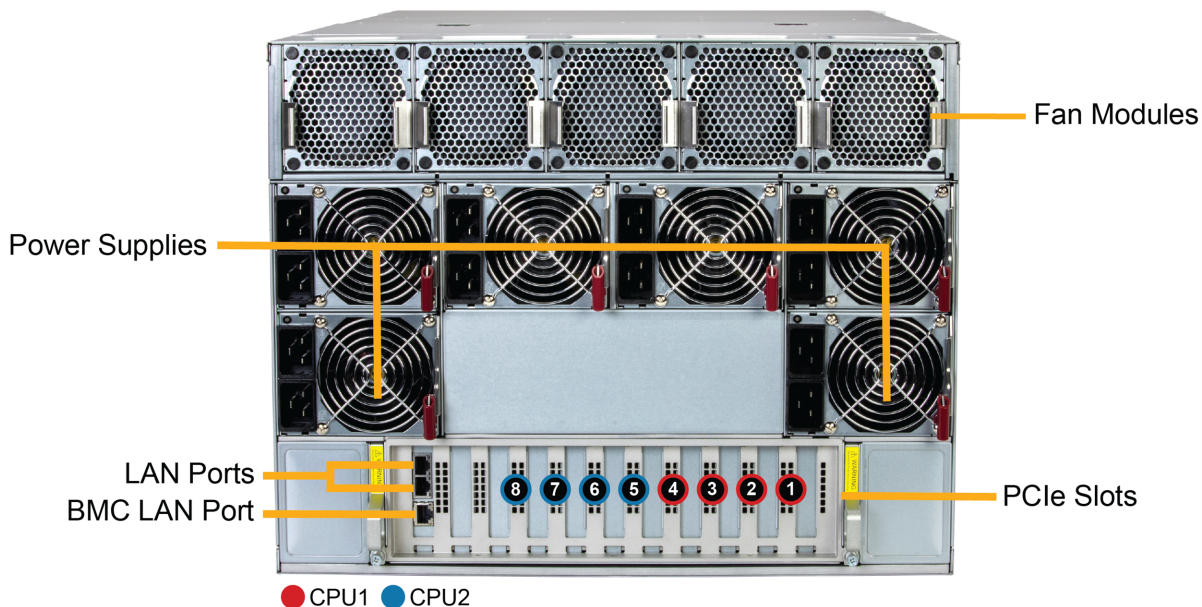


**Figure 1-2. AS -8126GS-TNMR Control Panel**

Control Panel Features	
Features	Description
Power Fail LED	Indicates a power failure in the power supply when flashing
Unit Identification (UID) LED	Flashes blue light when prompted; used to locate the server in large racks and server banks
LAN Activity LED	Indicates network activity on LAN when flashing
Storage Drive LED	Indicates activity on the installed storage drives when flashing
UID/Reset Switch	Used to manually turn the UID on/off
Power Button	Applies or removes primary power from the power supply to the server and maintains standby power

## Rear View

The following features are located on the rear of the AS -8126GS-TNMR server.



**Figure 1-3. AS -8126GS-TNMR Rear View**

System Features: Rear	
Feature	Description
Fan Modules	Five hot-plug fan modules
Power Supplies	Six redundant 5000 W Titanium Level power supplies
LAN Ports	Two RJ45 10 GbE with Intel® X710
BMC LAN Port	One RJ45 1 GbE dedicated BMC LAN port
PCIe Slots	Eight low-profile PCIe 5.0 x16 slots

Expansion Slot Locations	
Slot	Description
1–8	PCIe 5.0 x16 LP

## 1.3 System Architecture

This section covers the locations of the system's main components and provides a motherboard block diagram.

### Main Components

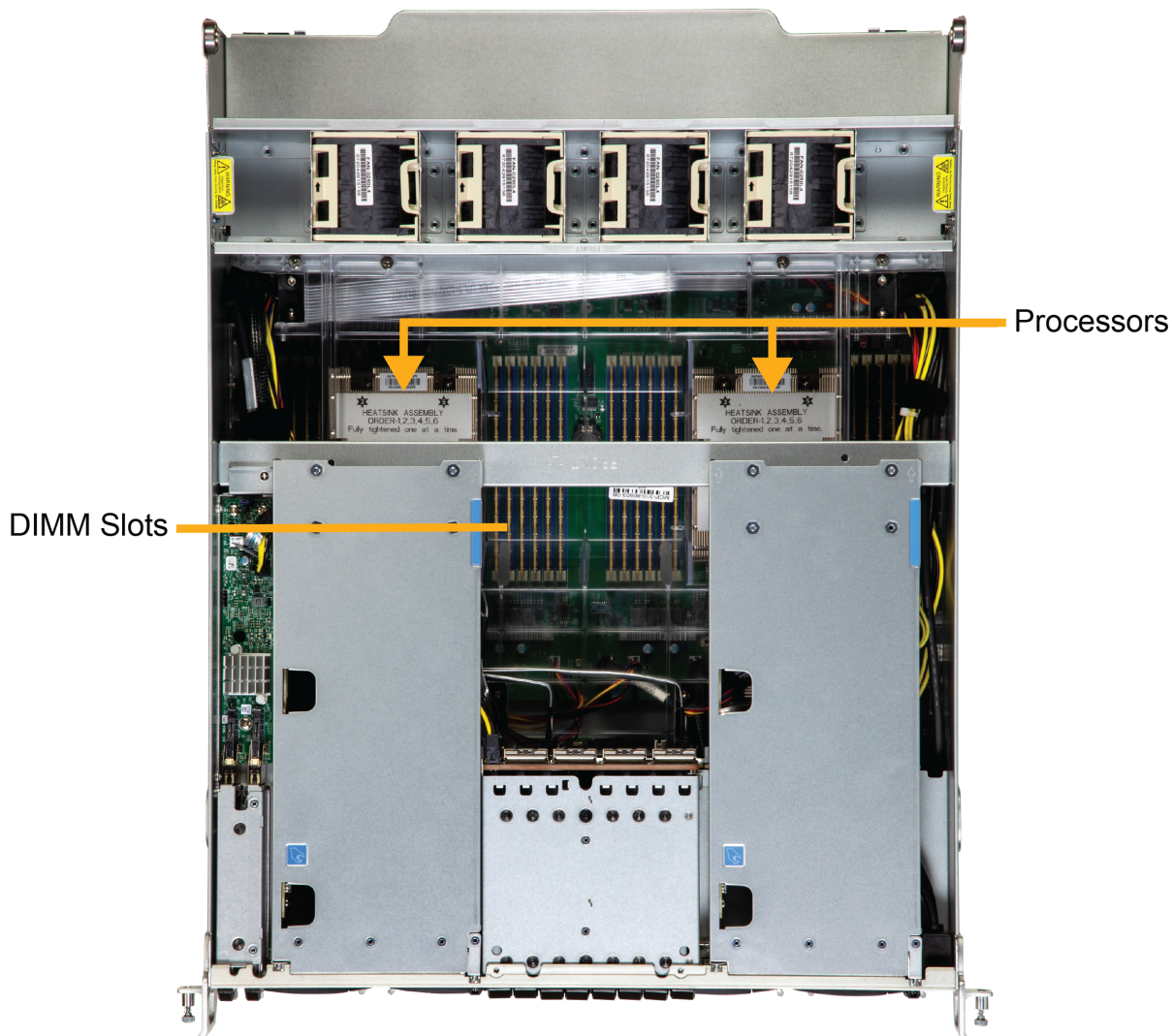


Figure 1-4. AS -8126GS-TNMR Main Component Locations

System Features: Top	
Feature	Description
DIMM Slots	24 DDR5 DIMM Slots
Processors	Dual AMD EPYC™ 9005/9004-series processors

## System Block Diagram

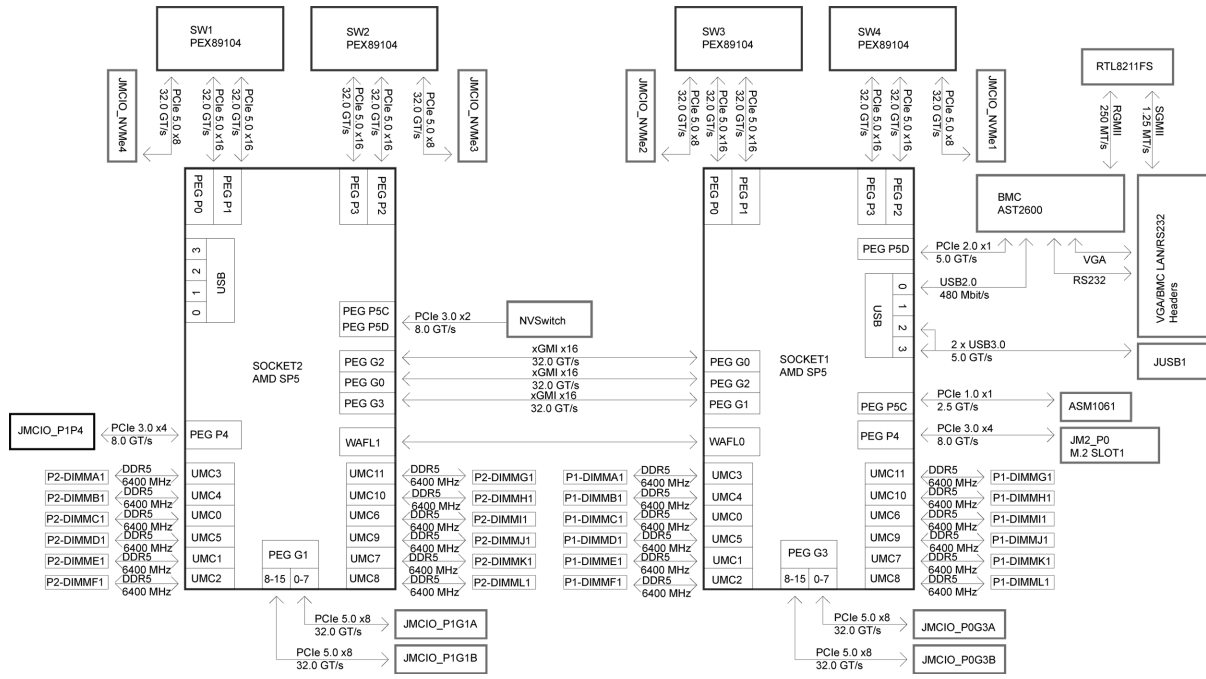


Figure 1-5. System Block Diagram

## 1.4 Motherboard Quick Reference

For details on the H14DSG-OD motherboard layout and other quick reference information, refer to the content below.

### Motherboard Layout

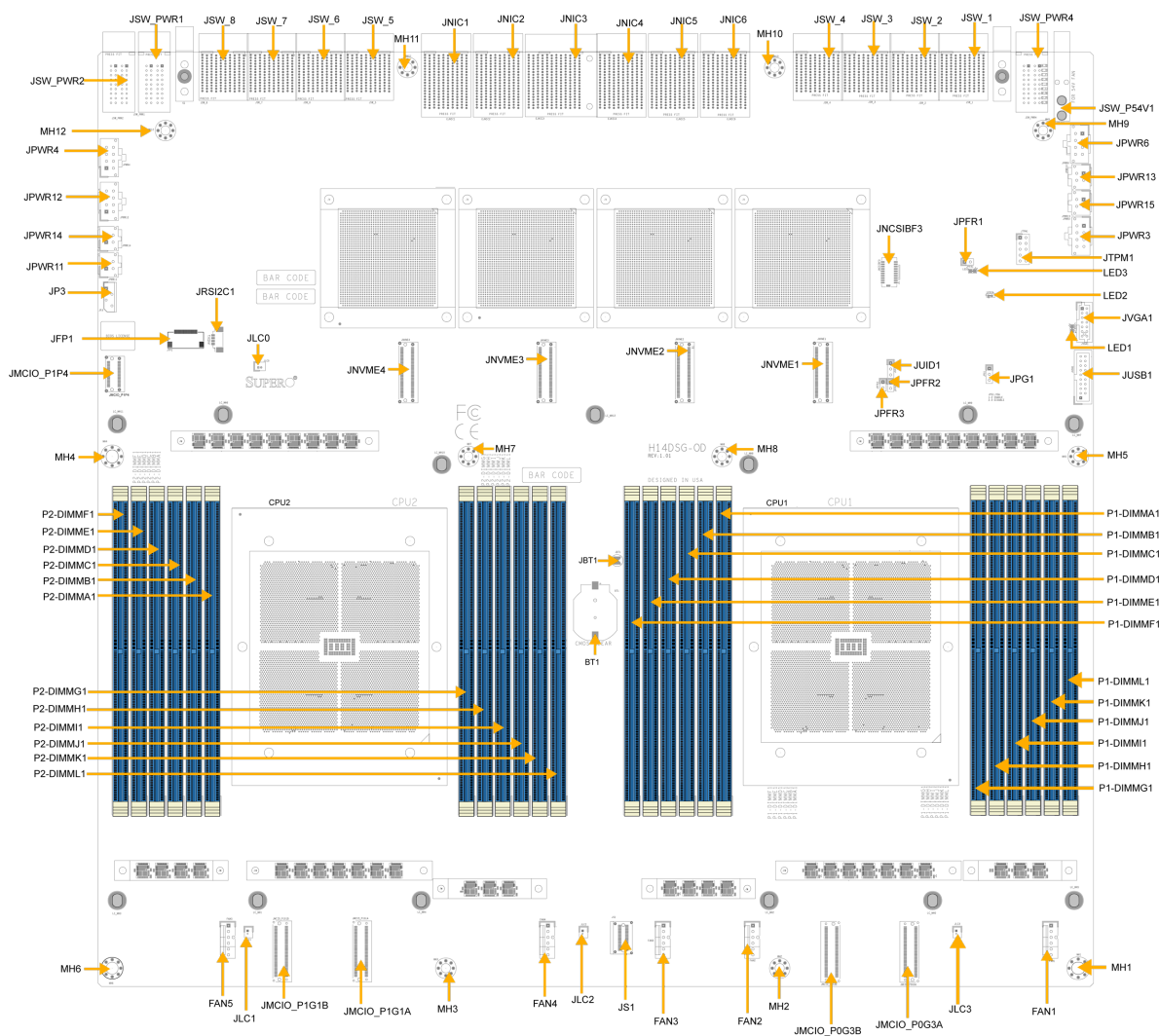


Figure 1-6. Motherboard Layout

**Notes:**

- For detailed information on jumpers, connectors, and LED indicators, see ["Maintenance and Component Installation" on page 36.](#)
- "■" indicates the location of pin 1.
- "MH" indicates the location of a mounting hole.
- Components not documented are for internal testing purposes only.
- Use only the correct type of onboard CMOS battery as specified by the manufacturer. To avoid possible explosion, do not install the onboard battery upside down.

## Quick Reference Table

Jumper	Description	Default Setting
JBT1	CMOS Clear	Open (Normal)
JPG1	VGA Enable/Disable	Pins 1-2 (Enable)
JUID1	Switch Function UID/Reset	Pins 1-2 (UID)

LED	Description	Status
LED1	Power LED	Solid Green: Power On
LED2	Rot Status LED	Off: Normal Red on: Fail
LED3	BMC Heartbeat LED	Green: Blinking (BMC Normal) Green: Fast Blinking (BMC Initializing)

Connector	Description
FAN1-FAN5	6-pin System Cooling Fan Headers
JFP1	Front Control Panel Connector
JLC0-3	2-pin 2.048 V Header for Liquid-Cooled Solution
JMCIO_P0G3A JMCIO_P0G3B	PCIe 5.0 x8 (Processor 1)
JMCIO_P1G1A JMCIO_P1G1B	PCIe 5.0 x8 (Processor 2)
JMCIO_P1P4	PCIe 3.0 x4 (Processor 2) for M.2 Module (AOC-SMG4-2M2 or AOM-S3808NI-4NM)
JNIC1-JNIC6	PCIe Connections to NIC Card Carrier Board (AOM-DP805-LPIO)
JNCSIBF3	NCSI Connector
JNVME1-4	PCIe 5.0 x8 Ports to Backplane (Vpp available through JNVME1 and JNVME3)
JP3	Front Fan Board I2C
JPWR3, JPWR12	12 V Power to BF3 Card

Connector	Description
JPWR4	12 V Power to Backplane (BPN-NVME5-HS119N-S8L or BPN-NVME5-LB16A-S10)
JPWR6	54 V Power to Front Fan Board (AOM-528G-FAN-CAS2)
JPWR11	12 V Power to E1.S (BPN-E1S5-GP101M)
JPWR13	12 V Power to M.2 Module (AOC-SMG4-2M2 or AOM-S3808NI-4NM)
JPWR14-15	12 V Power to BF3 Riser (RSC-G-6G5-GP805) and BF3 Bridge Board (AOM-BB-GP102-P) with Y cable
JRSI2C1	I2C Connector for SATA Backplane
JS1	SATA Connector to Backplane
JSW_P54V1	54 V Power Connector
JSW_PWR1 JSW_PWR2 JSW_PWR4	12 V Power to Motherboard
JSW_1~JSW_8	PCIe Connectors Connected to Middle Plane (BPN-GPU-GP403 or BPN-GPU-GP805)
JTPM1	Trusted Platform Module (TPM)
JUSB1	USB Port
JVGA1	VGA Port

## Chapter 2:

# Server Installation

This chapter provides advice and instructions for mounting your server in a server rack. If your server is not already fully integrated with processors, system memory, etc., refer to ["Maintenance and Component Installation"](#) on page 36 for details on installing those specific components.

**Important:** Electrostatic Discharge (ESD) can damage electronic components. To prevent such damage to printed circuit boards (PCBs), it is important to use a grounded wrist strap, handle all PCBs by their edges, and keep PCBs in anti-static bags when not in use.

---

<b>2.1 Unpacking the System</b> .....	<b>26</b>
<b>2.2 Preparing for Setup</b> .....	<b>27</b>
Choosing a Setup Location .....	27
Rack Precautions .....	27
System Precautions .....	27
Rack Mounting Considerations .....	28
<b>2.3 Installing the Rails</b> .....	<b>30</b>
Identifying the Rails .....	30
Installing the Outer Rails onto the Rack .....	31
<b>Installing the Chassis into a Rack</b> .....	<b>32</b>
Removing the Chassis from the Rack .....	34

## 2.1 Unpacking the System

Inspect the box the AS -8126GS-TNMR server was shipped in and note if it was damaged in any way. If any equipment appears damaged, file a damage claim with the carrier who delivered it.

Decide on a suitable location for the rack unit that will hold the server. It should be situated in a clean, dust-free area that is well ventilated. Avoid areas where heat, electrical noise and electromagnetic fields are generated. It will also require a grounded AC power outlet nearby. Be sure to read the precautions and considerations noted in ["Standardized Warning Statements for AC Systems"](#) on page 165.

## 2.2 Preparing for Setup

The box in which the AS -8126GS-TNMR server was shipped should include the rackmount hardware needed to install it into the rack. Read this section in its entirety before you begin the installation.

### Choosing a Setup Location

- The server should be situated in a clean, dust-free area that is well ventilated. Avoid areas where heat, electrical noise and electromagnetic fields are generated.
- Leave enough clearance in front of the rack so that you can open the front door completely (~25 inches) and approximately 30 inches of clearance in the back of the rack to allow sufficient space for airflow and access when servicing.
- This product should be installed only in a Restricted Access Location (dedicated equipment rooms, service closets, etc.).
- This product is not suitable for use with visual display workplace devices according to §2 of the German Ordinance for Work with Visual Display Units.

### Rack Precautions

- Ensure that the leveling jacks on the bottom of the rack are extended to the floor so that the full weight of the rack rests on them.
- In single rack installations, stabilizers should be attached to the rack. In multiple rack installations, the racks should be coupled together.
- Always make sure the rack is stable before extending a server or other component from the rack.
- You should extend only one server or component at a time. Extending two or more simultaneously may cause the rack to become unstable.

### System Precautions

- Review the electrical and general safety precautions in "[Standardized Warning Statements for AC Systems](#)" on page 165.
- Determine the placement of each component in the rack before you install the rails.
- Install the heaviest server components at the bottom of the rack first and then work your way up.

- Use a regulating uninterruptible power supply (UPS) to protect the server from power surges and voltage spikes and to keep your system operating in case of a power failure.
- Allow any drives and power supply modules to cool before touching them.
- When not servicing, always keep the front door of the rack and all covers/panels on the servers closed to maintain proper cooling.

## Rack Mounting Considerations



**Warning!** Stability hazard. The rack may tip over causing serious personal injury. Before extending the rack to the installation position, read the installation instructions. Do not put any load on the slide-rail mounted equipment in the installation position. Do not leave the slide-rail mounted equipment in the installation position.



### Avertissement!

Danger d'instabilité. Le rack peut basculer et provoquer des blessures corporelles graves.

Avant d'étendre le rack en position d'installation, lire les instructions d'installation. Ne pas charger l'équipement monté sur rail de glissière en position d'installation. Ne pas laisser l'équipement monté sur rail de glissière en position d'installation.

**Important:** To prevent bodily injury when mounting or servicing this unit in a rack, you must take special precautions to ensure that the system remains stable. The following guidelines are provided to ensure your safety:

- If this unit is the only unit in the rack, it should be mounted at the bottom of the rack.
- When mounting this unit in a partially filled rack, load the rack from the bottom to the top, placing the heaviest component at the bottom of the rack.
- If the rack is provided with stabilizing devices, install the stabilizers before mounting or servicing the unit in the rack.
- Slide rail mounted equipment is not to be used as a shelf or a workspace.
- Do not pick up the server with the front handles. They are designed to pull the system from a rack only.

### ***Ambient Operating Temperature***

If installed in a closed or multi-unit rack assembly, the ambient operating temperature of the rack environment may be greater than the room's ambient temperature. Therefore, consideration should be given to installing the equipment in an environment compatible with the manufacturer's maximum rated ambient temperature (TMRA).

### ***Airflow***

Equipment should be mounted into a rack so that the amount of airflow required for safe operation is not compromised.

### ***Mechanical Loading***

Equipment should be mounted into a rack so that a hazardous condition does not arise due to uneven mechanical loading.

### ***Circuit Overloading***

Consideration should be given to the connection of the equipment to the power supply circuitry and the effect that any possible overloading of circuits might have on overcurrent protection and power supply wiring. Appropriate consideration of equipment nameplate ratings should be used when addressing this concern.

### ***Reliable Ground***

A reliable ground must be maintained at all times. To ensure this, the rack itself should be grounded. Particular attention should be given to power supply connections other than the direct connections to the branch circuit (i.e. the use of power strips, etc.).

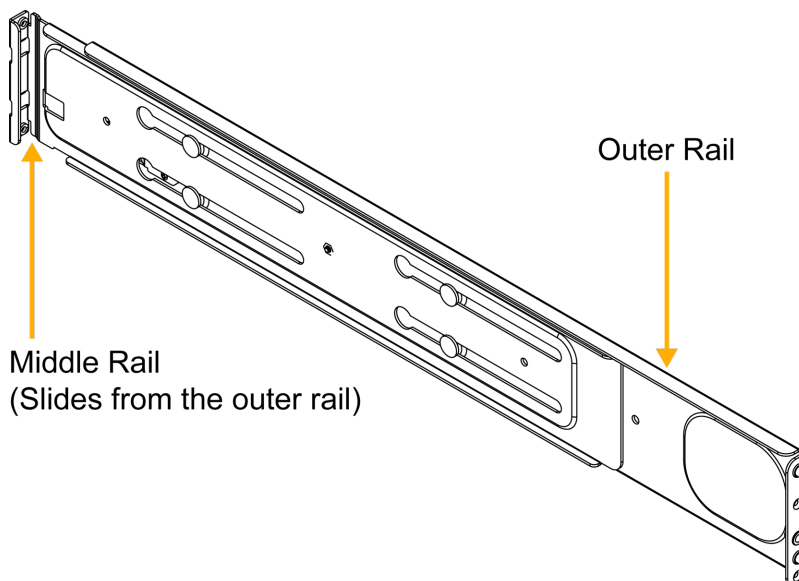
## 2.3 Installing the Rails

This section provides information on installing the CSE-GP805TS chassis into a rack unit with the rails provided. There are a variety of rack units on the market, which may mean that the assembly procedure will differ slightly from the instructions provided. You should also refer to the installation instructions that came with the rack unit you are using.

**Note:** This rail will fit a rack between 28.5" and 33.7" deep.

### Identifying the Rails

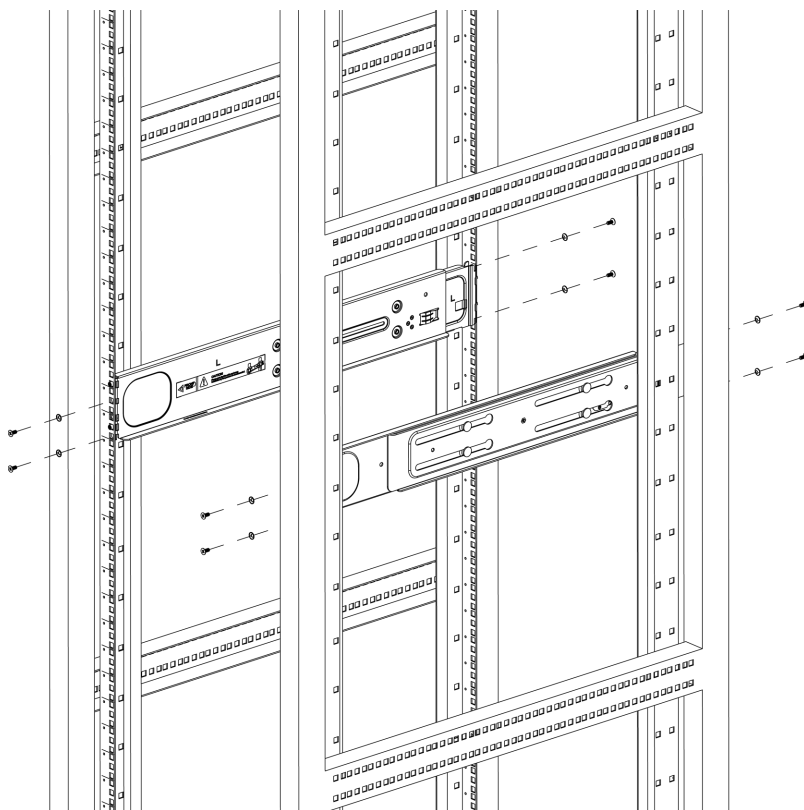
The server package includes two rack rail assemblies in the rack mounting kit. Each assembly consists of two sections: an outer fixed rack rail that secures directly to the rack itself, and a middle rail that slides out from the outer rail and secures to the server.



**Figure 2-1. Rail Assembly**

## Installing the Outer Rails onto the Rack

1. Attach the short bracket to the outside of the long bracket. Align the pins of the rail with the slides. The ends of each bracket must be angled in the same direction.
2. Adjust both the short and long brackets to the proper distance so that the rail fits snugly into the rack.
3. Secure the long bracket to the front side of the outer rail with two M5 screws and the short bracket to the rear side of the outer rail with three M5 screws.
4. Repeat steps 1–3 for the remaining outer rail.



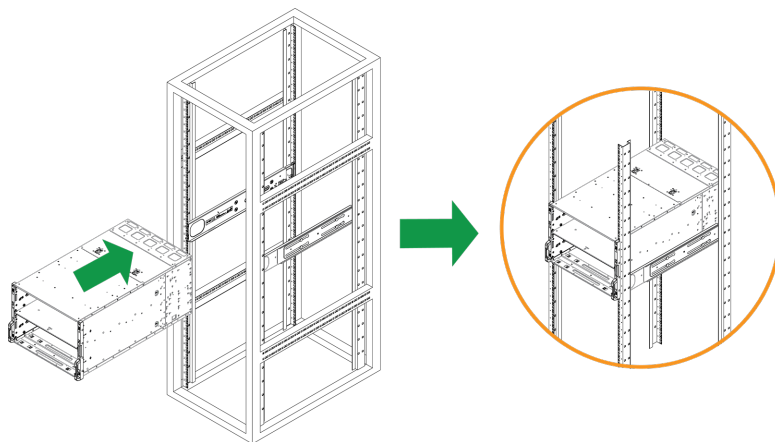
**Figure 2-2. Attaching the Outer Rails to the Rack**

## Installing the Chassis into a Rack

Once rails are attached to the chassis and the rack, the chassis is ready to be installed into a rack.

**Important:** Use caution when mounting or removing the system from the rack. For large systems, at least one other person must assist during installation or removal. Follow the safety recommendations printed on the rails. Depending on the size of the system, you might need to use a lift.

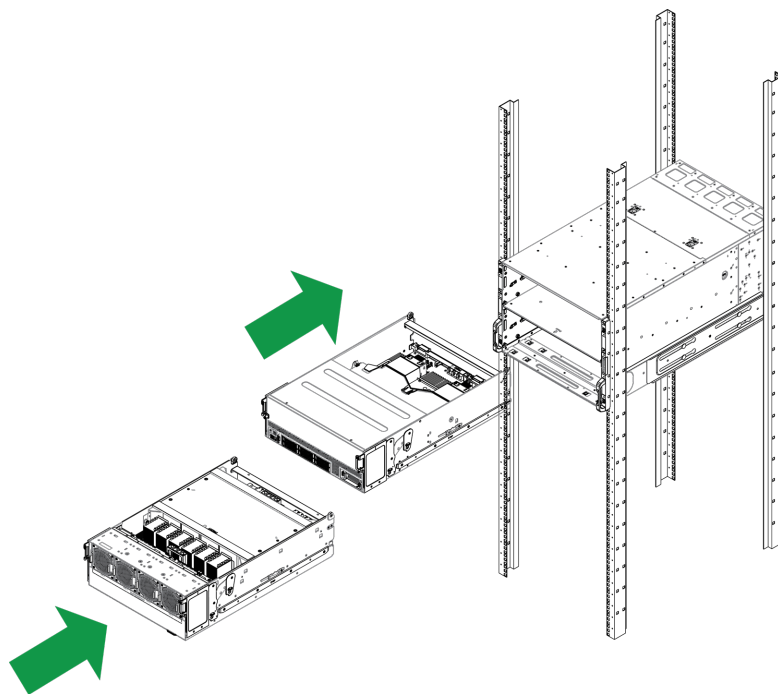
1. Align the chassis carefully and push it into the extension outer rail, as illustrated below.
2. Once the chassis is mounted in the outer rail, it can be pushed all the way into the rack.



**Figure 2-3. Sliding the Chassis into the Rack**

**Important:** This figure is for illustrative purposes only. Always install servers to the bottom of a rack first.

3. After you've secured the main chassis to the rack, mount each tray one at a time. Push each tray to the back of the chassis and secure the trays with two flathead screws to prevent them from sliding out.



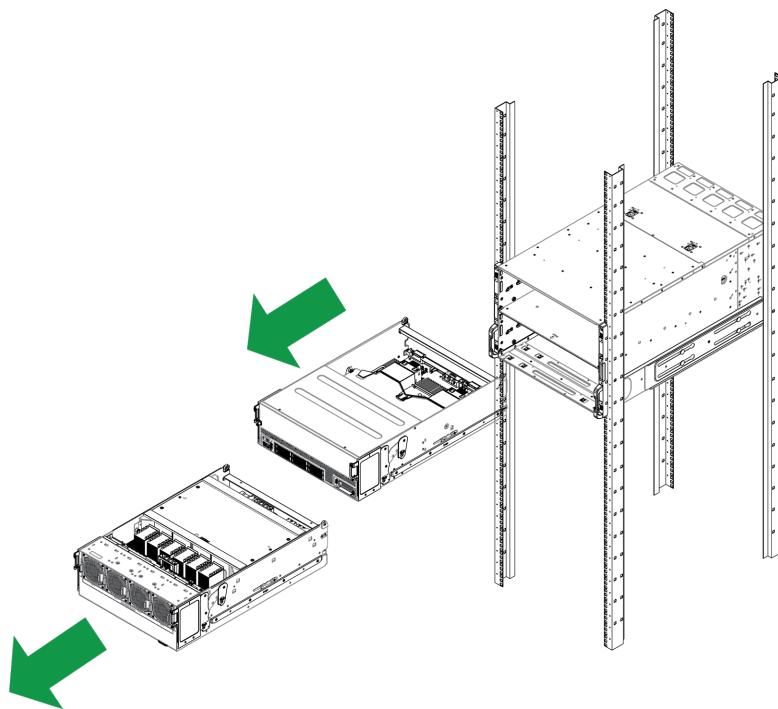
**Figure 2-4. Sliding the GPU and CPU Trays into the Rack**

**Important:** This figure is for illustrative purposes only. Always install servers to the bottom of a rack first.

## Removing the Chassis from the Rack

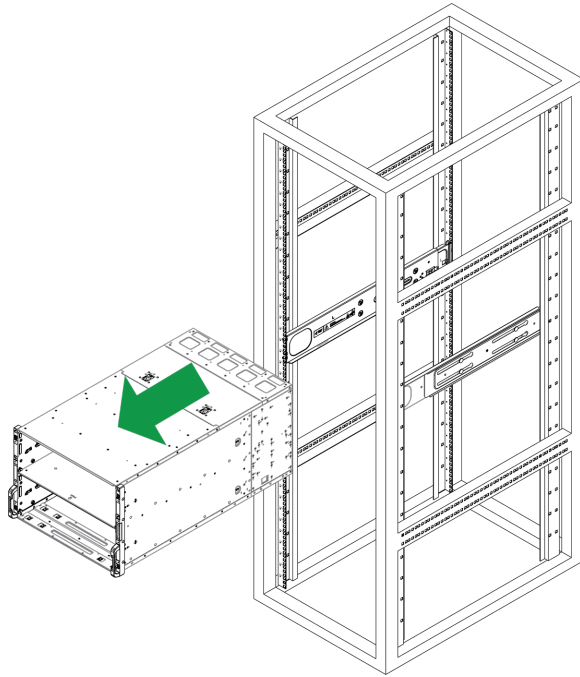
The process of removing the chassis from the rack is basically the reverse of the installation procedure.

1. Begin by removing the power to your system, then remove all screws from the GPU, CPU trays, pull them out one at a time until all the remaining trays are off.



**Figure 2-5. Removing the GPU and CPU trays**

2. Remove the chassis as illustrated below.



**Figure 2-6. Unmounting the Chassis from the Rack**

**Important:** This figure is for illustrative purposes only. Always install servers to the bottom of a rack first.

# Chapter 3:

## Maintenance and Component Installation

This chapter provides instructions on installing and replacing main system components for the AS -8126GS-TNMR server. To prevent compatibility issues, only use components that match the specifications and/or part numbers given.

Installation or replacement of most components require that power first be removed from the system. Follow the procedures given in each section.

---

<b>3.1 Removing Power</b> .....	<b>38</b>
<b>3.2 Accessing the System</b> .....	<b>39</b>
Removing the GPU Drawer .....	39
Removing the GPU Drawer Cover .....	40
Removing the CPU Drawer .....	42
Removing the LPIO Drawer .....	43
<b>3.3 Static-Sensitive Devices</b> .....	<b>44</b>
Precautions .....	44
<b>3.4 Processor and Heatsink Installation</b> .....	<b>45</b>
Preparing the Processor Socket .....	46
Installing the Processor into the Frame .....	48
Installing the Heatsink .....	51
Uninstalling the Heatsink and Processor .....	52
<b>3.5 Memory Support and Installation</b> .....	<b>53</b>
Memory Support .....	53
General Guidelines for Optimizing Memory Performance .....	54
DIMM Installation .....	55
DIMM Removal .....	57
<b>3.6 Motherboard Battery Removal and Installation</b> .....	<b>59</b>
Battery Removal .....	59
Proper Battery Disposal .....	59
Battery Installation .....	59
<b>3.7 Storage Drives</b> .....	<b>60</b>
M.2 Storage .....	60

---

2.5" NVMe Storage Drive Trays .....	60
Hot-Swap for NVMe Drives .....	63
<b>3.8 System Cooling .....</b>	<b>64</b>
System Fans .....	64
Air Shrouds .....	68
<b>3.9 Expansion Cards .....</b>	<b>69</b>
PCIe Expansion Cards .....	69
<b>3.10 Power Supply .....</b>	<b>70</b>
Replacing the Power Supply .....	70

## 3.1 Removing Power

Before performing some setup or maintenance tasks, use the following procedure to ensure that power has been removed from the AS -8126GS-TNMR server. This step is necessary when removing or installing non hot-swap components or when replacing a non-redundant power supply.

1. Use the operating system to power down the system.
2. After the system has completely shut-down, disconnect the AC power cord(s) from the power strip or outlet.
3. Disconnect the power cord(s) from the power supply module(s).

## 3.2 Accessing the System

**Important:** Except for short periods of time, do not operate the server without the cover in place. The chassis cover must be in place to allow for proper airflow and to prevent overheating.

### Removing the GPU Drawer

As the name implies, the GPU drawer houses the system's GPUs. The GPU drawer may be removed from the chassis for maintenance.

1. There are two levers, one located directly on the left and right side of the GPU drawer. Pull these two levers down, as shown.
2. Use these levers to pull the drawer out from the chassis.

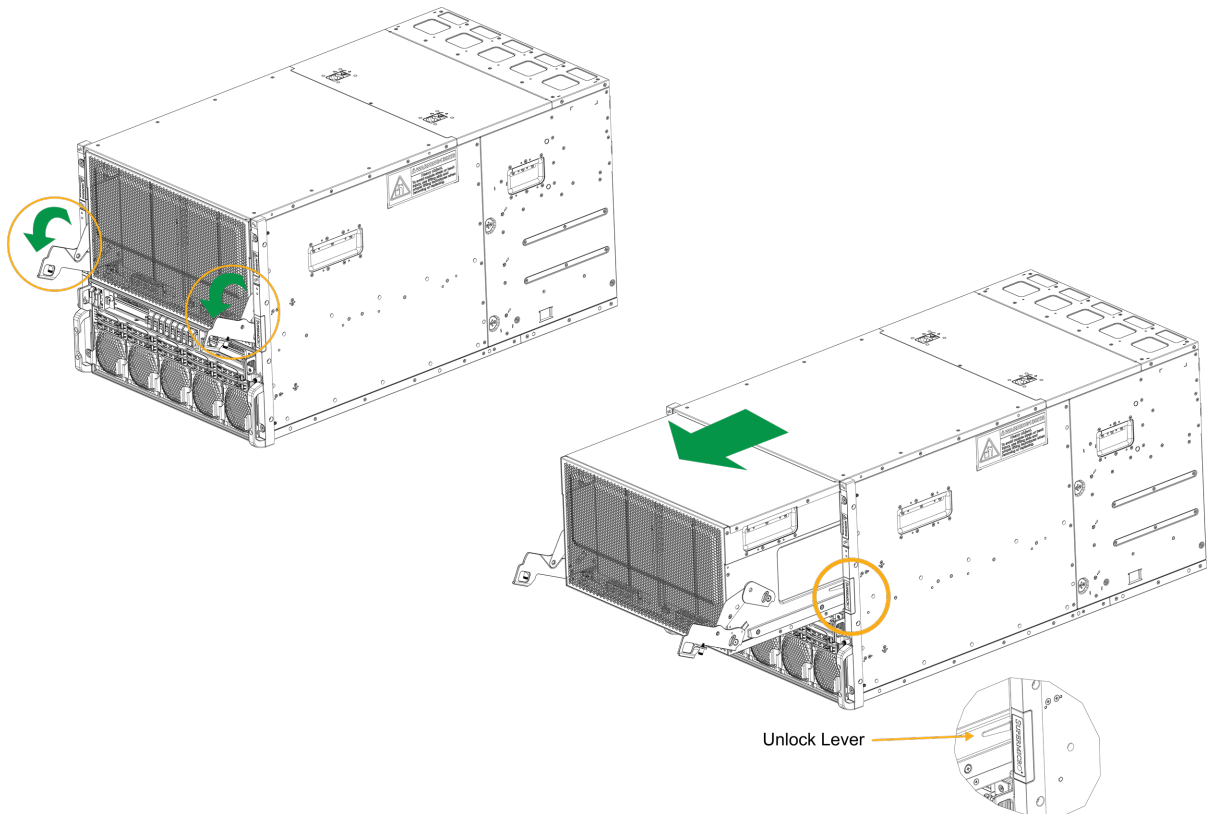
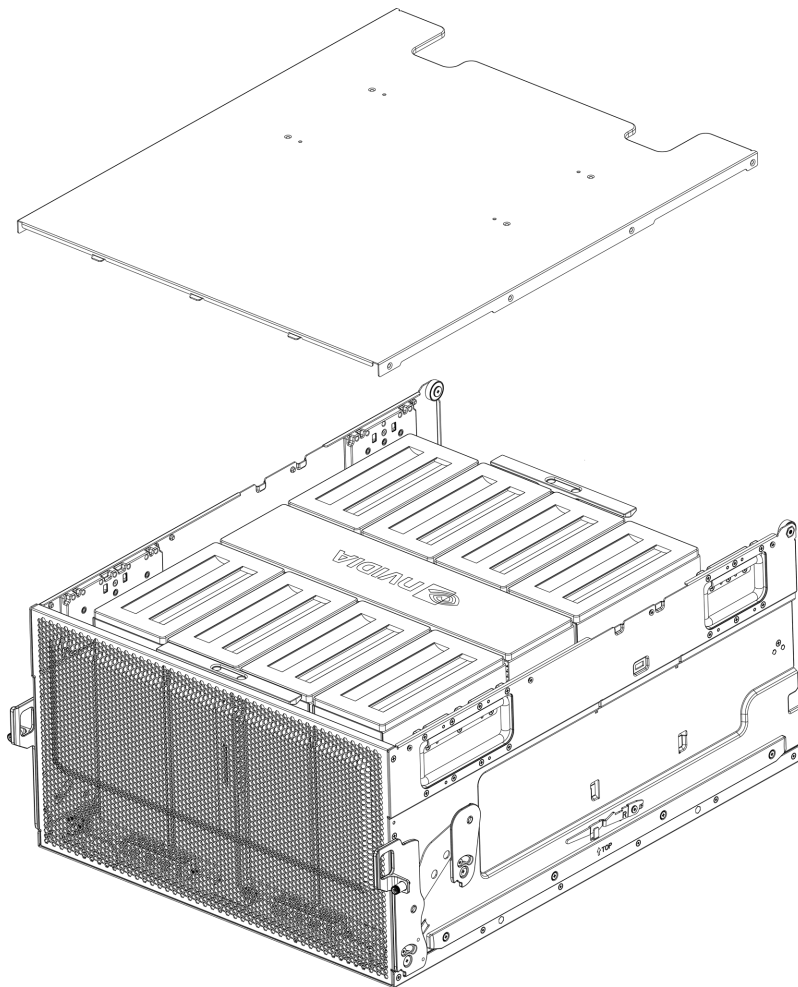


Figure 3-1. Removing the GPU Drawer

## Removing the GPU Drawer Cover

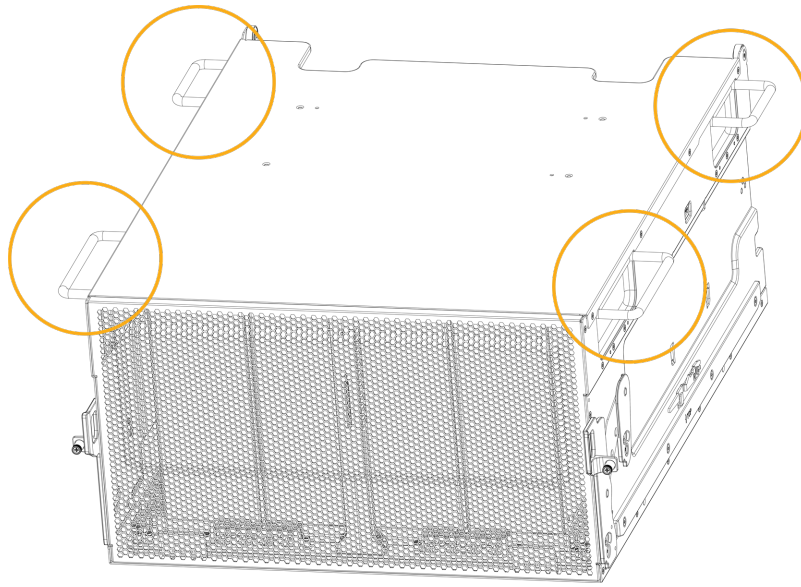
You can access the GPU drawer by removing its cover as shown below.

1. First, remove the drawer from the chassis (as previously explained) and remove the screws securing the cover to the GPU drawer.
2. Slide the cover toward the rear of the chassis.
3. Lift the top cover off of the chassis.



**Figure 3-2. Removing the GPU Drawer Cover**

**Note:** This GPU drawer has handles to help with carrying the unit safely. The handles are identified in the figure below.

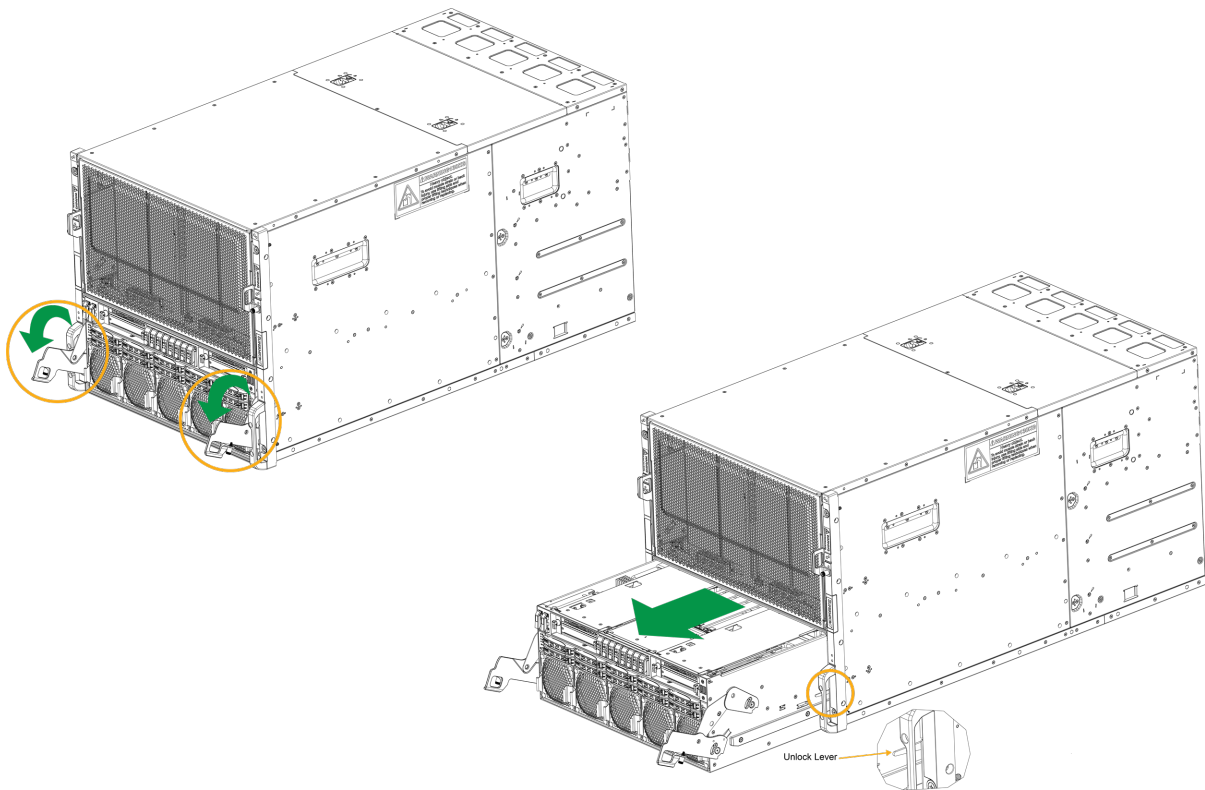


**Figure 3-3. GPU Drawer Handles**

## Removing the CPU Drawer

The CPU drawer houses the system's motherboard, CPU, and related components. The CPU drawer may be removed from the chassis for maintenance.

1. There are two levers, one located directly on the left and right side of the CPU drawer. Pull these two levers down, as shown.
2. Use these levers to pull the drawer out from the chassis.

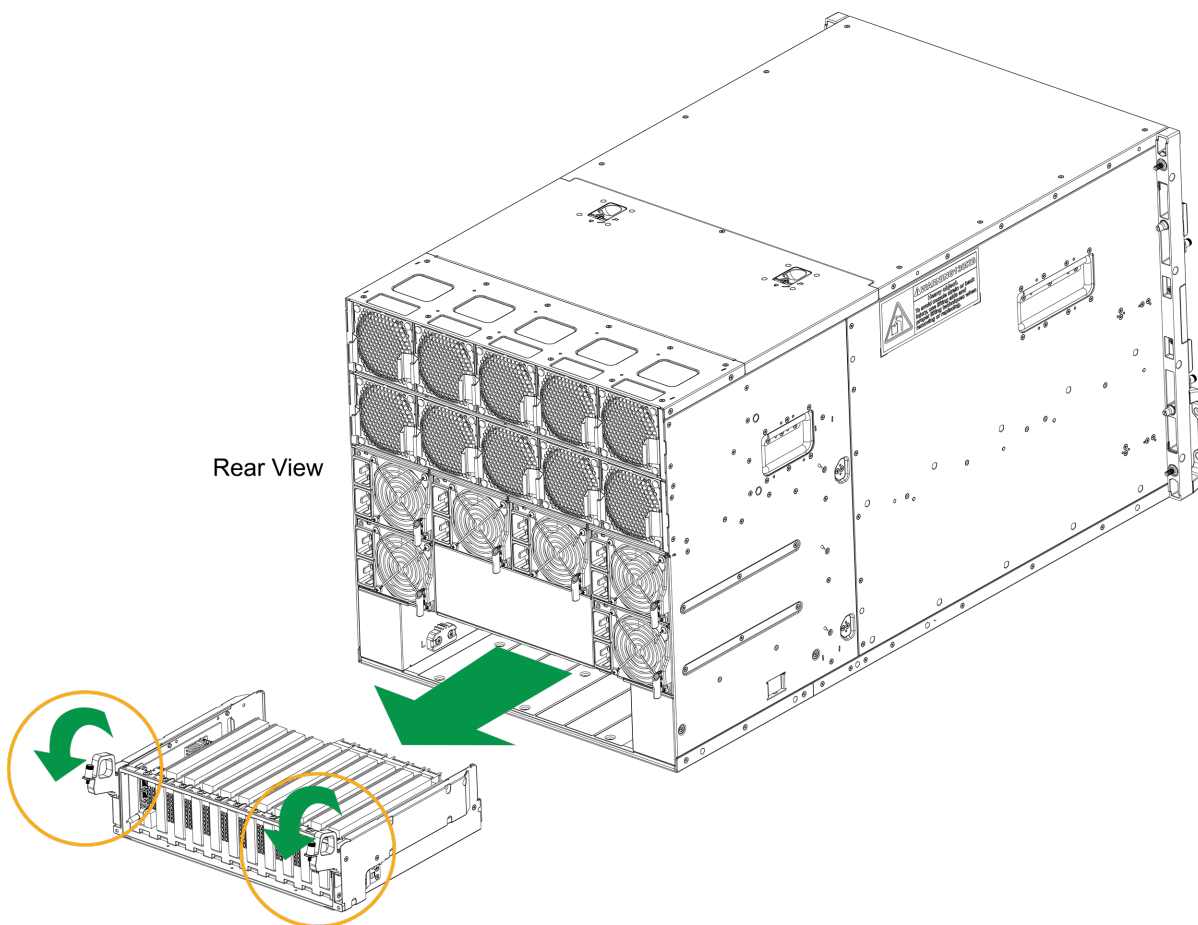


**Figure 3-4. Removing the CPU Drawer**

## Removing the LPIO Drawer

The LPIO drawer supports low-profile PCIe expansion slots for optional low-profile expansion cards. The LPIO drawer may be removed from the chassis for maintenance.

1. There are two levers, one located directly on the left and right side of the LPIO drawer. Pull these two levers down, as shown.
2. Use these levers to pull the drawer out from the chassis.



**Figure 3-5. Removing the LPIO Drawer**

### 3.3 Static-Sensitive Devices

Electrostatic Discharge (ESD) can damage electronic components. To avoid damaging your motherboard, it is important to handle it very carefully. The following measures are generally sufficient to protect your equipment from ESD.

#### Precautions

- Use a grounded wrist strap designed to prevent static discharge.
- Touch a grounded metal object before removing the board from the antistatic bag.
- Handle the motherboard only by its edges. Do not touch its components, peripheral chips, memory modules, or gold contacts.
- When handling chips or modules, avoid touching their pins.
- Put the motherboard and peripherals back into their antistatic bags when not in use.
- For grounding purposes, make sure that your computer chassis provides excellent conductivity between the power supply, the case, the mounting fasteners, and the motherboard.
- Use only the correct type of onboard CMOS battery. To avoid possible explosion, do not install the onboard battery upside down.

## 3.4 Processor and Heatsink Installation

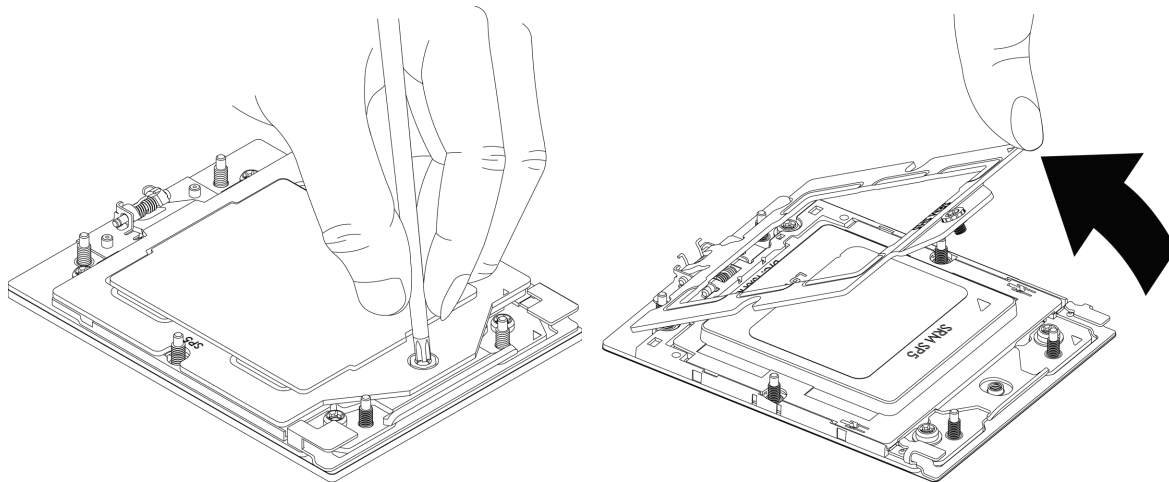
This section provides procedures to install the processor(s) and heatsink(s).

**Notes:**

- Take industry standard precautions to avoid ESD damage. For details, see "[Static-Sensitive Devices](#)" on the previous page.
- Before starting, make sure that the plastic socket cap is in place and none of the socket pins are bent. If any damage is noted, contact your retailer.
- Do not connect the system power cord before the processor and heatsink installation is complete.
- When handling the processor, avoid touching or placing direct pressure on the LGA lands (gold contacts). Improper installation or socket misalignment can cause serious damage to the processor or processor socket.
- When buying a processor separately, use only a Supermicro certified heatsink.
- Refer to the Supermicro website for the most recent processor support.
- When installing the heatsink, ensure a torque driver set to the correct force is used for each screw.
- Thermal grease is pre-applied on a new heatsink. No additional thermal grease is needed.

## Preparing the Processor Socket

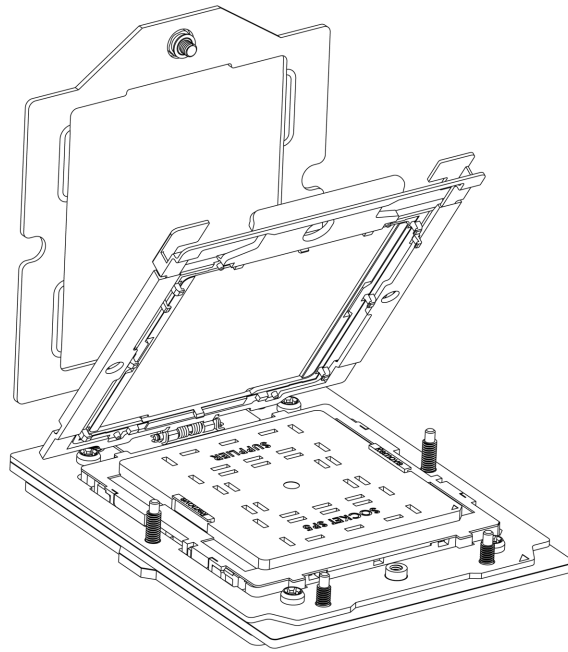
1. Remove the screw holding down the force frame. The spring-loaded force frame will raise up. Allow it to lift up to its stopped position.



**Figure 3-6. Removing Screw from the Force Frame**

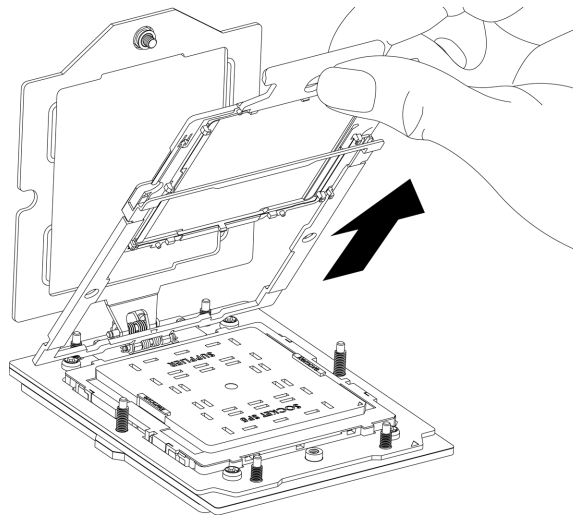
2. Lift the rail frame up by gripping the lift tabs near the front end of the rail frame. While keeping a secure grip of the rail frame, lift it to a position so you can do the next step of removing the external cap.

**Note:** The rail frame is spring loaded, so keep a secure grip on it as you lift it so it does not snap up.



**Figure 3-7. Lifting the Frame**

3. Remove the external cap from the rail frame by pulling it upwards through the rail guides on the rail frame.

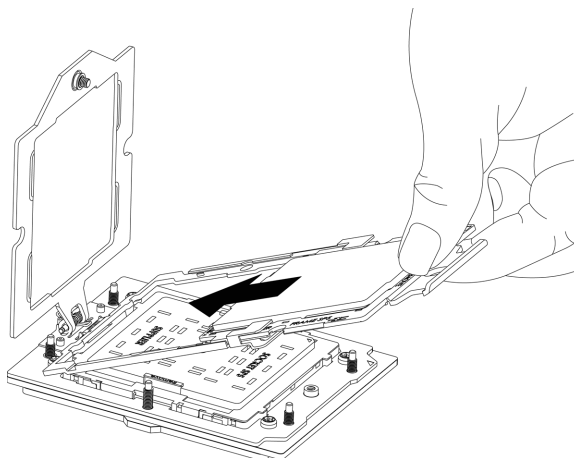


**Figure 3-8. Removing the Cap**

## Installing the Processor into the Frame

1. The processor package is shipped from the factory with the carrier frame pre-assembled. Grip the handle of the carrier frame/processor assembly from its shipping tray, and while gripping the handle, align the flanges of the carrier frame onto the rails of the rail frame so its pins will be at the bottom when the rail frame is lowered later.
2. Slide the carrier frame/processor assembly downwards to the bottom of the rail frame. Ensure the flanges are secure on the rails as you lower it downwards.

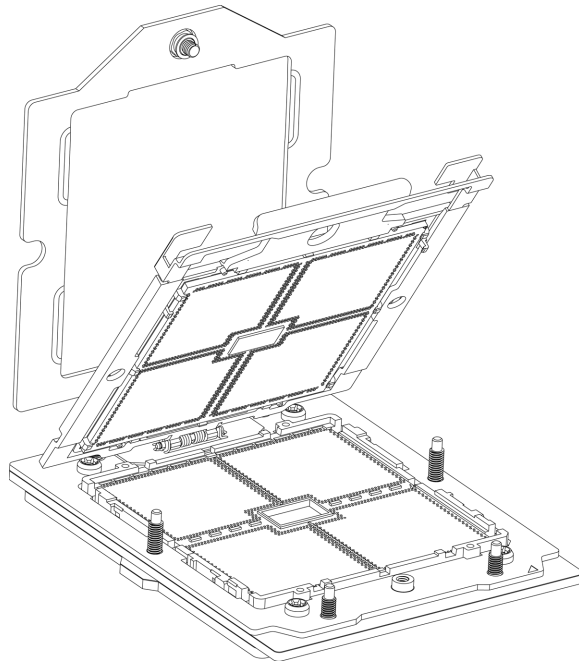
**Note:** You can only install the processor inside the socket in one direction with the handle at the top. Make sure that it is properly inserted into the socket before closing the rail frame plate. If it doesn't close properly, do not force it as it may damage your processor. Instead, open the rail frame plate again, and double-check that the processor is aligned properly.



**Figure 3-9. Installing into the Rail Frame**

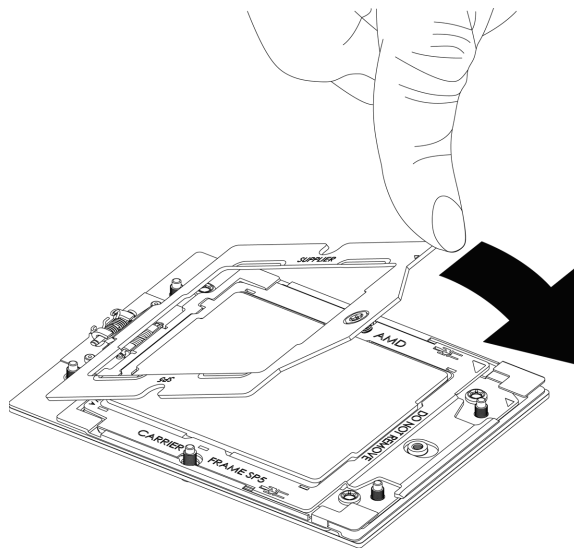
3. Lift up the rail frame until it securely rests in the upright position. Then remove the socket cover cap from the socket below. Grip the two lift tabs marked "Remove" at the middle of the cap and pull vertically upwards to remove the socket cover cap.

**Important:** The exposed socket contacts are extremely vulnerable and can be damaged easily. Do not touch or drop objects onto the contacts and be careful removing the PnP cover cap and when placing the rail frame over the socket.



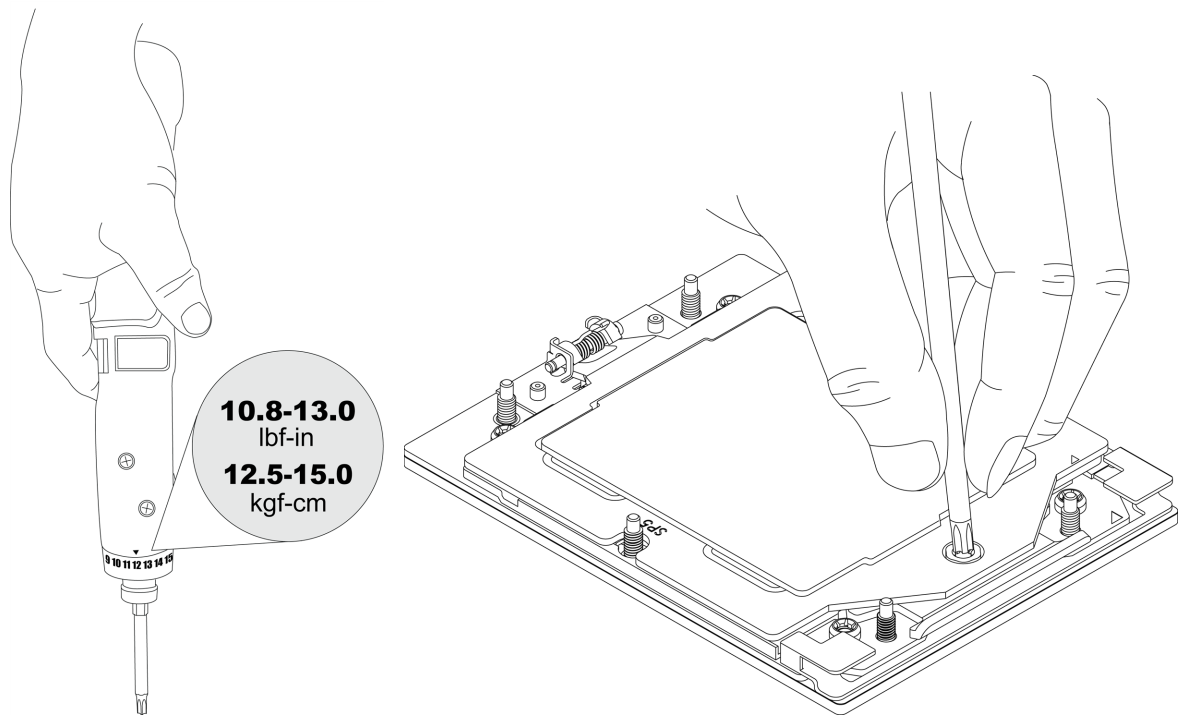
**Figure 3-10. Removing the Socket Cap**

4. Gently lower the rail frame down onto the socket until the latches on the rail frame engage with the socket housing and it rests in place. Do not force it into place! Note that the force frame is spring loaded and must be held in place before it is secured.



**Figure 3-11. Securing the Force Frame**

5. Use a T20 bit torque driver, set at 12.5–15.0 kgf-cm (10.8–13.0 in-lbf) to prevent damage to the processor. Replace and tighten the screws in the same order they were removed. When finished, the force frame will be secure over both the rail frame and processor package.

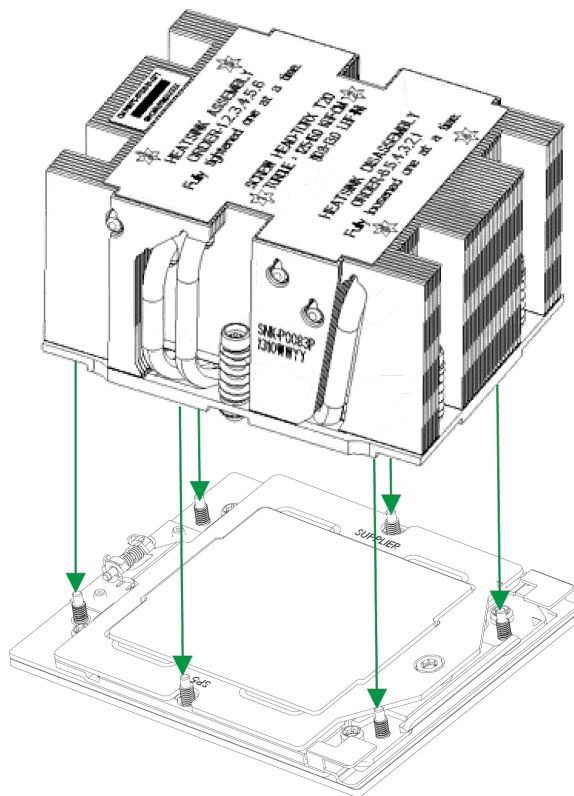


**Figure 3-12. Replacing Screws with Torque Driver**

## Installing the Heatsink

After the force frame is secured and the processor is in place, install the heatsink onto the processor.

1. Place the heatsink so that it rests on the processor aligning the six screws on the socket frame.



**Figure 3-13. Placing the Heatsink (1U left, 2U right)**

2. Using a T20 torque driver, tighten the screws using the diagonal tightening pattern and torque specifications printed on the heatsink. Tighten the two center screws completely before tightening the four corner screws.

The heatsink is now secured.

## Uninstalling the Heatsink and Processor

1. Remove the screws holding the heatsink and gently work it loose.
2. Clean the thermal grease left by the heatsink on the processor assembly to limit the risk of contaminating the land pads or contacts in the socket housing.
3. Unscrew the plate and lift the force frame to the vertical position.
4. Lift the rail frame using the lift tabs near the front end of the rail frame. Note that the rail frame is spring loaded, so be careful lifting it up into a vertical position.
5. Grip the handle of the carrier frame and pull upwards to extract it from the rail frame. Return the processor assembly to its original shipping container.
6. Grip the handle on the external cap and return it to the rail frame sliding it downwards until it rests in the frame.
7. Gripping the rail frame, rotate it downwards until it rests above and locks over the socket housing in its horizontal position.
8. Push and rotate down the force frame until it is over the external cap and rail frame, and in a horizontal position.
9. While holding down the force frame, secure it back to the socket frame by securing screw #1 in place.

## 3.5 Memory Support and Installation

**Important:** To prevent any damage, exercise extreme care when installing or removing memory modules.

**Note:** Check the Supermicro website for recommended memory modules.

### Memory Support

The AS -8126GS-TNMR supports up to 6 TB of RDIMM/3DS ECC DDR5 memory with speeds of up to 6400 MT/s in 24 DIMM slots. Refer to the tables below for additional information.

Populating RDIMM/RDIMM 3DS DDR5 Memory Modules with AMD EPYC™ 9004 Series Processors			
Type	DIMM Population	Maximum Frequency (MT/s)	
	DIMM1	5600 MT/s Grade DIMM	4800 MT/s Grade DIMM
RDIMM	1R (1 rank)	4800	4800
	2R (2 ranks)		
3DS RDIMM	2S2R (4 ranks)		
	2S4R (8 ranks)		

Populating RDIMM/RDIMM 3DS DDR5 Memory Modules with AMD EPYC™ 9005 Series Processors				
Type	DIMM Population	Maximum Frequency (MT/s)		
	DIMM1	6400 MT/s Grade DIMM	5600 MT/s Grade DIMM	4800 MT/s Grade DIMM
RDIMM	1R (1 rank)	6400	5600	4800
	2R (2 ranks)			
3DS RDIMM	2S2R (4 ranks)			
	2S4R (8 ranks)			

**Note:** Please use Supermicro validated memory to achieve 6400 MT/s. Contact Supermicro representative for more details.

## **General Guidelines for Optimizing Memory Performance**

- It is recommended to use DDR5 memory of the same type, size, and speed.
- Mixed DIMM speeds can be installed. However, all DIMMs will run at the speed of the slowest DIMM.
- The motherboard will support an odd number amount of memory modules. However, to achieve the best memory performance, a balanced memory population is recommended.

## DIMM Installation

**Important:** To avoid causing any damage to the memory module or the DIMM socket, do not use excessive force when pressing the release tabs on the ends of the DIMM socket. Handle memory modules with care. To avoid ESD-related damage to your memory modules or components, carefully follow all the instructions given in ["Static-Sensitive Devices"](#) on page 44.

1. Insert the desired number of DIMMs into the memory slots based on the recommended DIMM population table earlier in this section.
2. Push the release tabs outwards on both ends of the DIMM slot to unlock it.

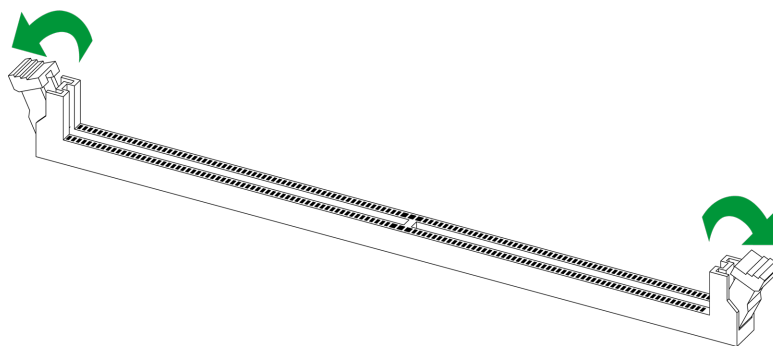


Figure 3-14. Unlocking the DIMM Slot

3. Align the key of the DIMM with the receptive point on the memory slot.

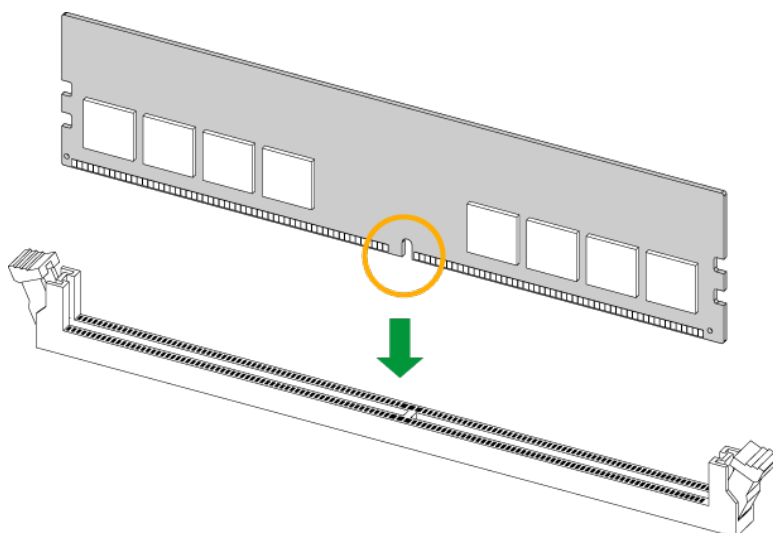
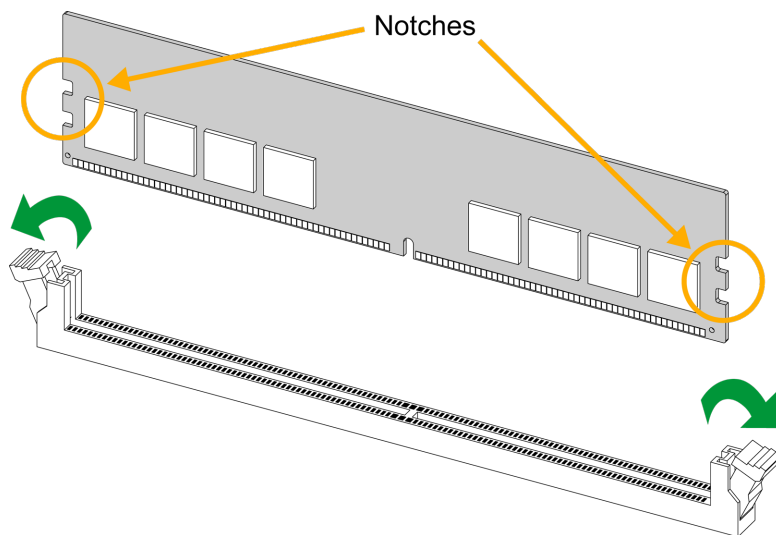


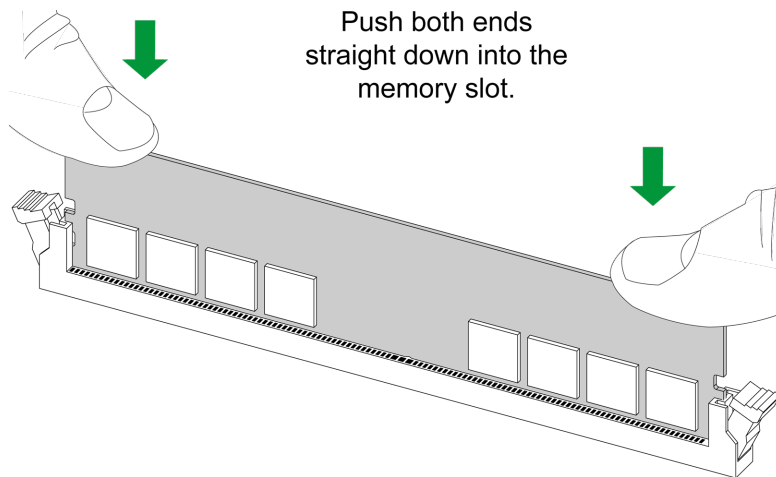
Figure 3-15. Aligning the DIMM Slot with the Receptive Point

- Align the notches on both ends of the module against the receptive points on the ends of the slot.



**Figure 3-16. Aligning the Notches**

- Press both ends of the module straight down into the slot until the module snaps into place.
- Press the release tabs to the lock positions to secure the DIMM into the slot.



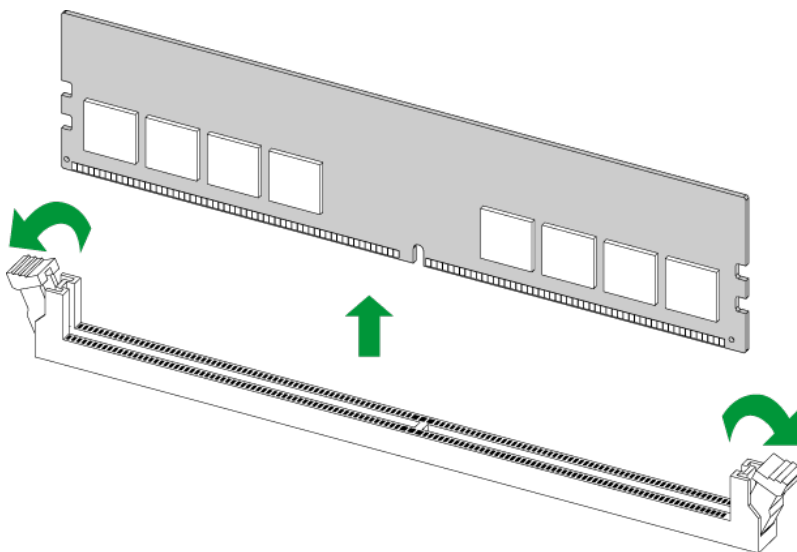
**Figure 3-17. Securing the DIMM**

For a detailed diagram of the H14DSG-OD motherboard, see the layout under "[Motherboard Quick Reference](#)" on page 21.

## DIMM Removal

**Important:** To avoid causing any damage to the memory module or the DIMM socket, do not use excessive force when pressing the release tabs on the ends of the DIMM socket. Handle memory modules with care. To avoid ESD-related damage to your memory modules or components, carefully follow all the instructions given in ["Static-Sensitive Devices"](#) on page 44.

Press both release tabs on the ends of the DIMM socket to unlock it. Once the DIMM is loosened, remove it from the memory slot.



**Figure 3-18. Unlocking the DIMM Slot**

For a detailed diagram of the H14DSG-OD motherboard, see the layout under ["Motherboard Quick Reference"](#) on page 21.

## DIMM Population

This table shows the recommended slots to populate.

DIMM Population Guide														
Types	One DIMM Per Channel											Supported Nodes Per Socket (NPS)		
	F1	E1	D1	C1	B1	A1	(Occupied by CPU)	G1	H1	I1	J1		K1	L1
1 DIMM						V								NPS1
2 DIMMs						V		V						NPS2, NPS1
4 DIMMs				V		V		V		V				NPS4, NPS2, NPS1
6 DIMMs				V	V	V		V	V	V				NPS2, NPS1

DIMM Population Guide														
Types	One DIMM Per Channel													Supported Nodes Per Socket (NPS)
	F1	E1	D1	C1	B1	A1	(Occupied by CPU)	G1	H1	I1	J1	K1	L1	
8 DIMMs		V		V	V	V		V	V	V		V		NPS4, NPS2, NPS1
10 DIMMs		V	V	V	V	V		V	V	V	V	V		NPS2, NPS1
12 DIMMs	V	V	V	V	V	V		V	V	V	V	V	V	NPS4, NPS2, NPS1

DIMM Population Guide															
Types (2 CPUs)		One DIMM per Channel													Supported Nodes per Socket (NPS)
		F1	E1	D1	C1	B1	A1	G1	H1	I1	J1	K1	L1		
2 DIMMs	CPU1						V							NPS1	
	CPU2						V								
4 DIMMs	CPU1						V	V						NPS2, NPS1	
	CPU2						V	V							
8 DIMMs	CPU1				V		V	V		V				NPS4, NPS2, NPS1	
	CPU2				V		V	V		V					
12 DIMMs	CPU1				V	V	V	V	V	V				NPS2, NPS1	
	CPU2				V	V	V	V	V	V					
16 DIMMs	CPU1		V		V	V	V	V	V	V		V		NPS4, NPS2, NPS1	
	CPU2		V		V	V	V	V	V	V		V			
20 DIMMs	CPU1		V	V	V	V	V	V	V	V	V	V		NPS2, NPS1	
	CPU2		V	V	V	V	V	V	V	V	V	V			
24 DIMMs	CPU1	V	V	V	V	V	V	V	V	V	V	V	V	NPS4, NPS2, NPS1	
	CPU2	V	V	V	V	V	V	V	V	V	V	V	V		

**Note:** Fully populate the motherboard with validated memory modules to achieve the best memory performance. NPS setting based on applications. Selecting Auto in BIOS will default to NPS1.

## 3.6 Motherboard Battery Removal and Installation

### Battery Removal

To remove the onboard battery, follow the steps below:

1. Power off your system and unplug your power cable.
2. Place the system on a workbench.
3. Remove the top cover from the system.
4. Locate the onboard battery as shown below.
5. Using a tool such as a pen or a small screwdriver, push the battery lock outwards to unlock it. Once unlocked, the battery will pop out from the holder.
6. Remove the battery.

### Proper Battery Disposal

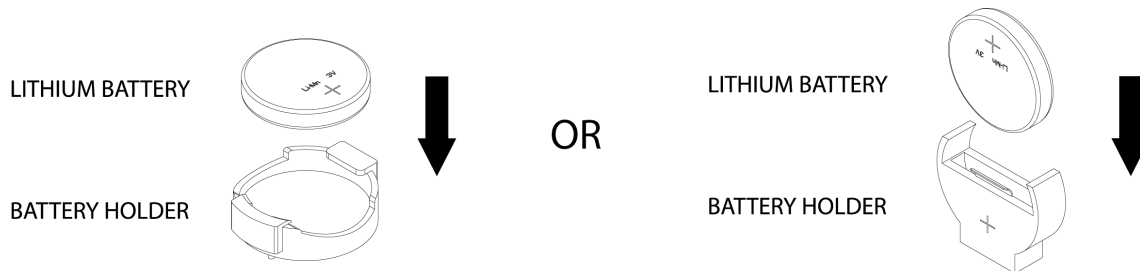
**Important:** Handle used batteries carefully. Do not damage the battery in any way; a damaged battery may release hazardous materials into the environment. Do not discard a used battery in the garbage or a public landfill. Comply with the regulations set up by your local hazardous waste management agency to dispose of your used battery properly.

### Battery Installation

To install an onboard battery, follow steps 1 and 2 above and continue below:

**Important:** When replacing a battery, be sure to only replace it with the same type.

1. Identify the battery's polarity. The positive (+) side should be facing up.
2. Insert the battery into the battery holder and push it down until you hear a click to ensure that the battery is securely locked.



**Figure 3-19. Installing a Battery**

## 3.7 Storage Drives

The AS -8126GS-TNMR chassis supports two M.2 slots, eight 2.5" form-factor NVMe drives, and two SATA drive bays.

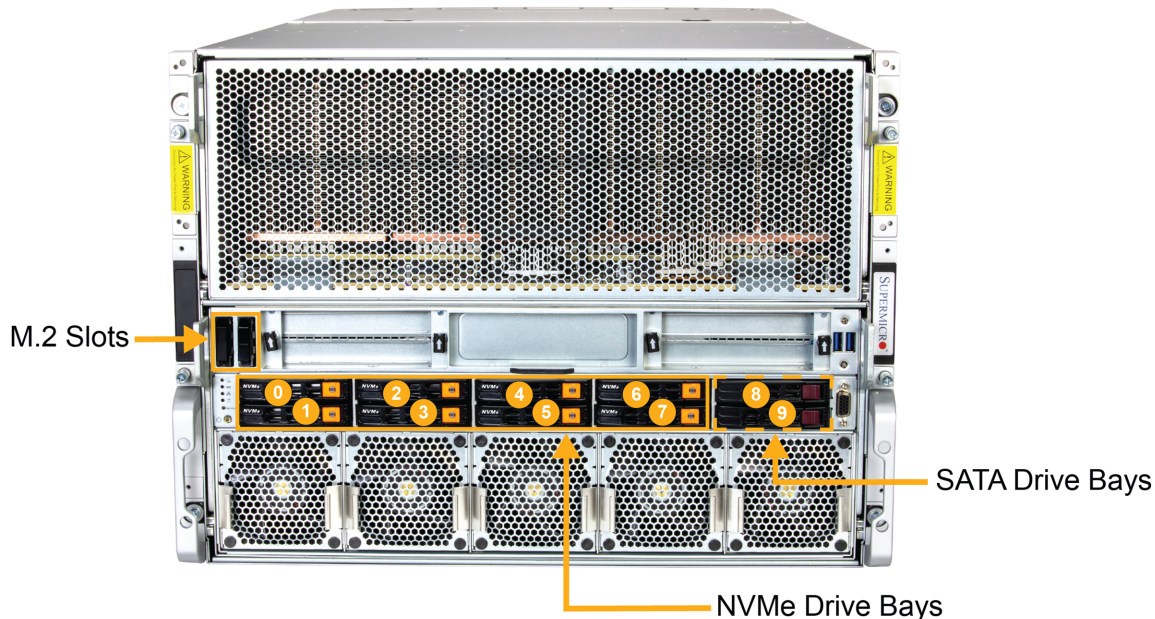


Figure 3-20. Front System Storage

Storage Bay Locations	
Drive Bays	Description
0–7	Eight front hot-swap 2.5" NVMe drive bays
8–9	Two front hot-swap 2.5" SATA drive bays

### M.2 Storage

There are two slots for M.2 storage devices on the front of the chassis.

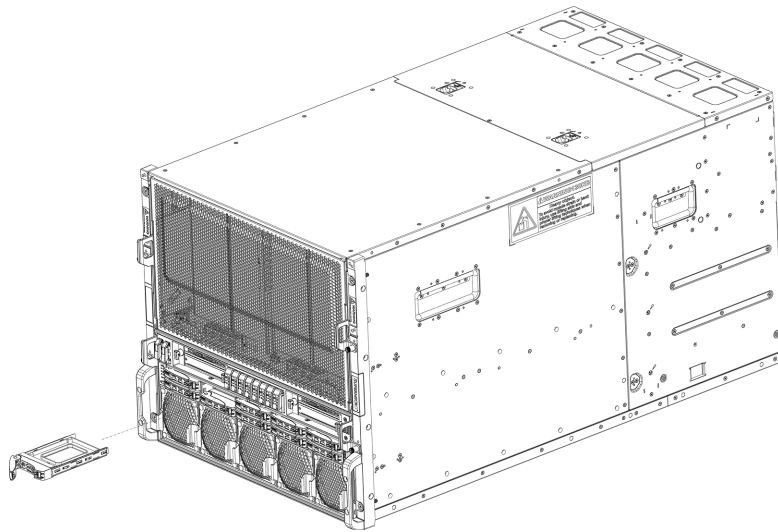
M.2 storage is a compact, high-performance storage form factor used in modern devices. It supports NVMe interfaces, offering fast data transfer rates and low latency.

### 2.5" NVMe Storage Drive Trays

There are eight trays for 2.5" storage devices on the chassis that can support NVMe drives. The drives are mounted in carriers that simplify their removal from the chassis. These carriers also help promote proper airflow.

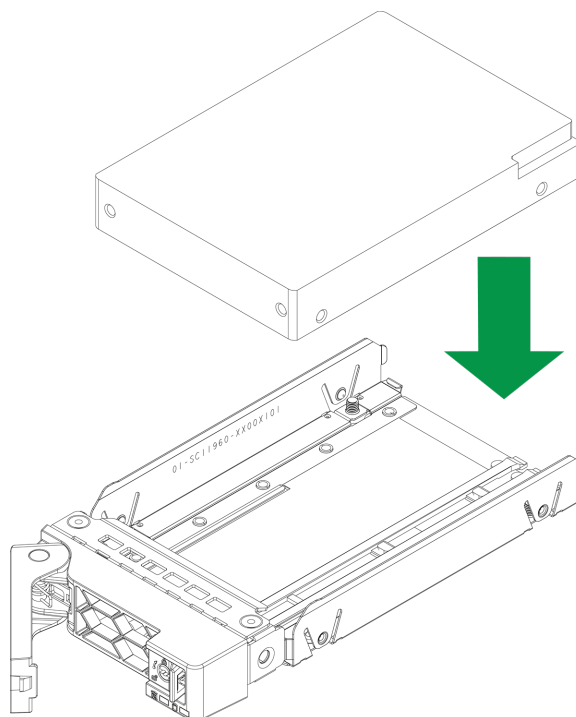
## ***Installing 2.5" Storage Drives***

1. Remove power.
2. Remove the drive bay/carrier from the chassis. Push the release button on the drive carrier. This releases and extends the drive carrier handle. If the release button does not release it, the handle may be locked: using a flat-head screwdriver, rotate the screw counterclockwise 45 degrees to unlock the handle. Use the handle to pull the carrier out of the chassis.



**Figure 3-21. Removing a Drive Carrier/Tray**

3. Insert the drive into the carrier and secure it, as shown below. Orient the drive with the connector facing the bottom rear of the carrier. The drive can be inserted from above the carrier and into the clips until a "click" is heard.



**Figure 3-22. Placing a 2.5" Storage Drive into the Drive Carrier/Tray**

4. Secure the storage drive on to the carrier/tray with bottom screws, if needed.
5. Insert the carrier/tray with the storage drive into the open drive bay.

**Note:** Enterprise level drives are recommended for use in Supermicro chassis and servers. For information on recommended storage drives, visit the Supermicro website product pages at [www.supermicro.com/products](http://www.supermicro.com/products).

## Hot-Swap for NVMe Drives

Supermicro servers support NVMe surprise hot-swap. For even better data security, NVMe orderly hot-swap is recommended. NVMe drives can be ejected and replaced remotely using BMC.

### *Ejecting a Drive*

1. **BMC > Server Health > NVMe SSD**
2. Select Device, Group, and Slot, and click **Eject**. After ejecting, the drive Status LED indicator turns green.
3. Remove the drive.

Note that Device and Group are categorized by the CPLD design architecture.

A Slot is the slot number on which the NVMe drives are mounted.

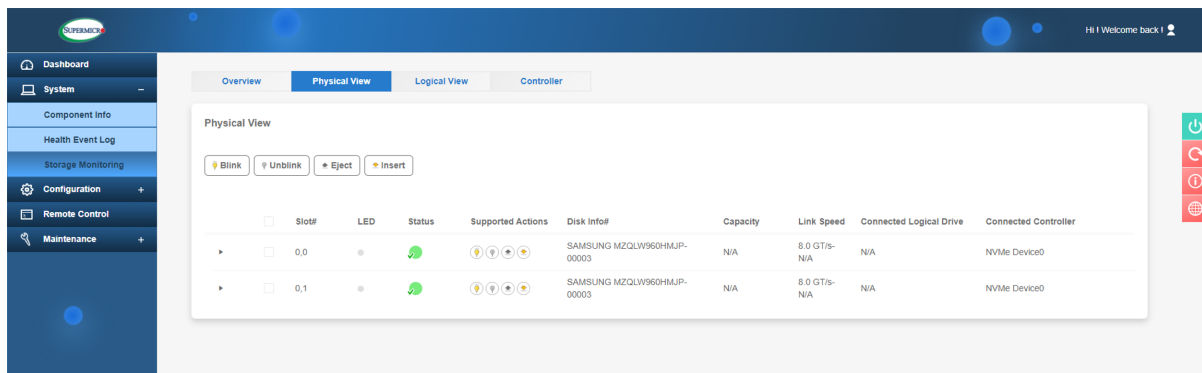


Figure 3-23. BMC Screenshot

### *Replacing a Drive*

1. Insert the replacement drive.
2. **BMC > System > Storage Monitor > Physical View**
3. Select Device, Group, and slot and click **Insert**. The drive Status LED indicator flashes red, then turns off. The Activity LED turns blue.

## 3.8 System Cooling

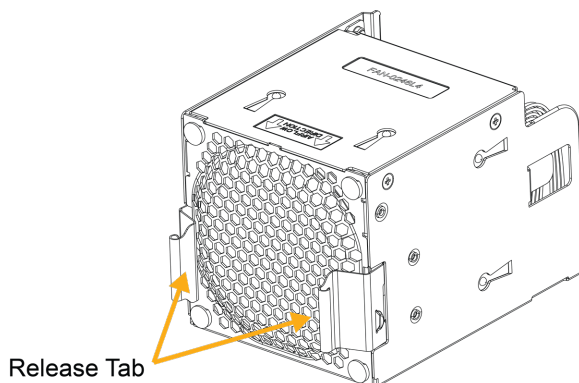
Refer to the following sections for information about the cooling capabilities of the AS -8126GS-TNMR server.

### System Fans

Fan speed is controlled by a system temperature setting in the BMC. If a fan fails, the remaining fans will ramp up to full speed. The system can continue to run with a failed fan. Replace any failed fan at your earliest convenience with the same type and model. Failed fans can be identified through the BMC.

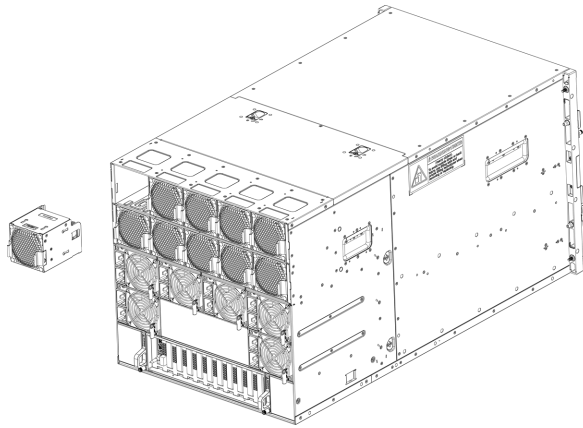
#### *Replacing a System Fan*

1. Determine which fan has failed using a remote management utility.
2. Once the failed fan has been identified, remove power from the system.
3. Remove the failed fan from chassis by squeezing the two release tabs together and pulling the fan out.



**Figure 3-24. Release the Fan from the Chassis**

4. Install a new fan into the drive tray.

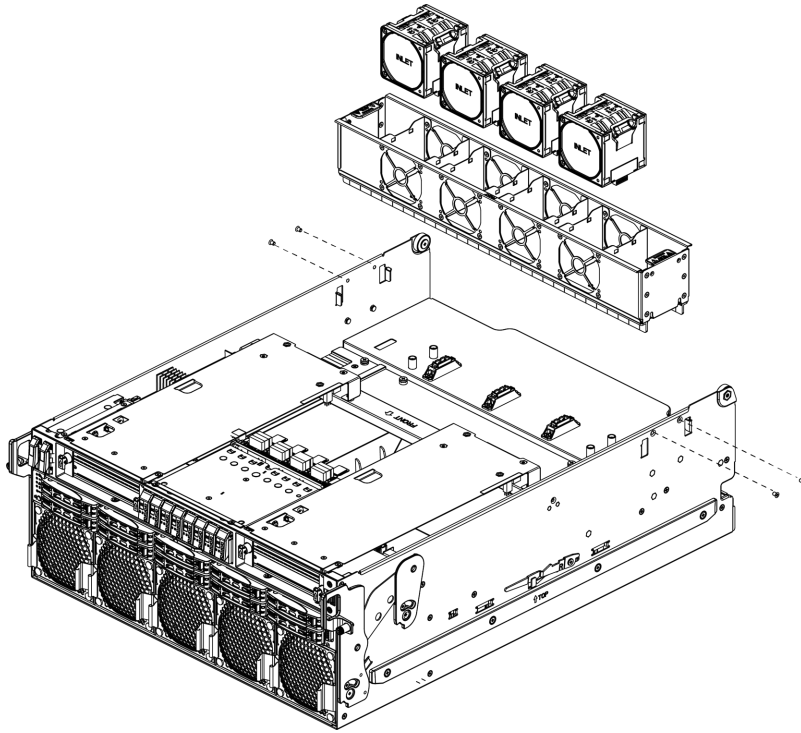


**Figure 3-25. Install the Fan**

5. Reconnect the power cord and power up the system.
  - Make sure there are no objects to obstruct air flow in and out of the server.
  - If you are using a front bezel, make sure the bezel filter is replaced periodically.
  - Do not operate the server without drives or drive trays in the drive bays.
  - Use only recommended server parts.
  - Make sure no wires or foreign objects obstruct air flow through the chassis. Pull all excess cabling out of the airflow path or use shorter cables.

## Internal System Fans

The CPU drawer also has four internal system fans. They may be accessed and replaced after removing the CPU drawer from the chassis.



**Figure 3-26. Replacing the Internal Fans in the CPU Drawer**

## ***Overheating***

There are several possible responses if the system overheats.

### ***Overheat Temperature Setting***

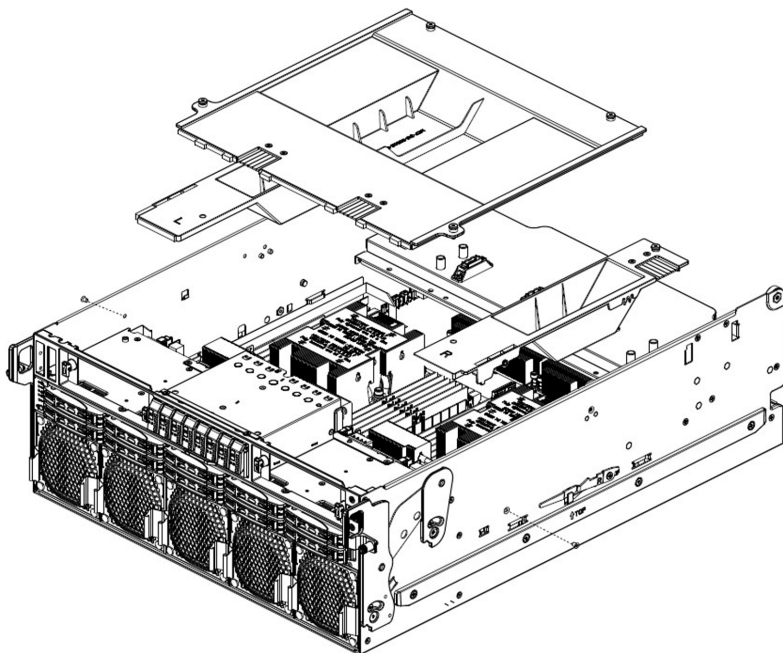
Some backplanes allow the overheat temperature to be set at 45, 50, or 55 by changing a jumper setting. For more information, consult the backplane user manual at [www.supermicro.com](http://www.supermicro.com). (Click Support, then the Manuals link.)

#### ***If the server overheats:***

1. Use the LEDs to determine the nature of the overheating condition.
2. Confirm that the chassis covers are installed properly.
3. Make sure all fans are present and operating normally.
4. Check the routing of the cables.
5. Verify that the heatsinks are installed properly. Push the replacement fan module straight inward into the GPU tray until the left and right fan module finger tabs are locked into the GPU tray.

## Air Shrouds

The system requires air shrouds for each drawer to maximize airflow efficiency. The motherboard, expansion cards, and components must be installed in the chassis prior to air shroud installation. Place the air shroud as pictured.



**Figure 3-27. Installing the CPU Drawer Air Shroud**

### *Installing the Air Shroud*

1. First, ensure the CPU, CPU heatsinks, and configured DIMMs are installed.
2. Align the air shroud with the motherboard.
3. Install directly onto the motherboard. There are no screws to set.

## 3.9 Expansion Cards

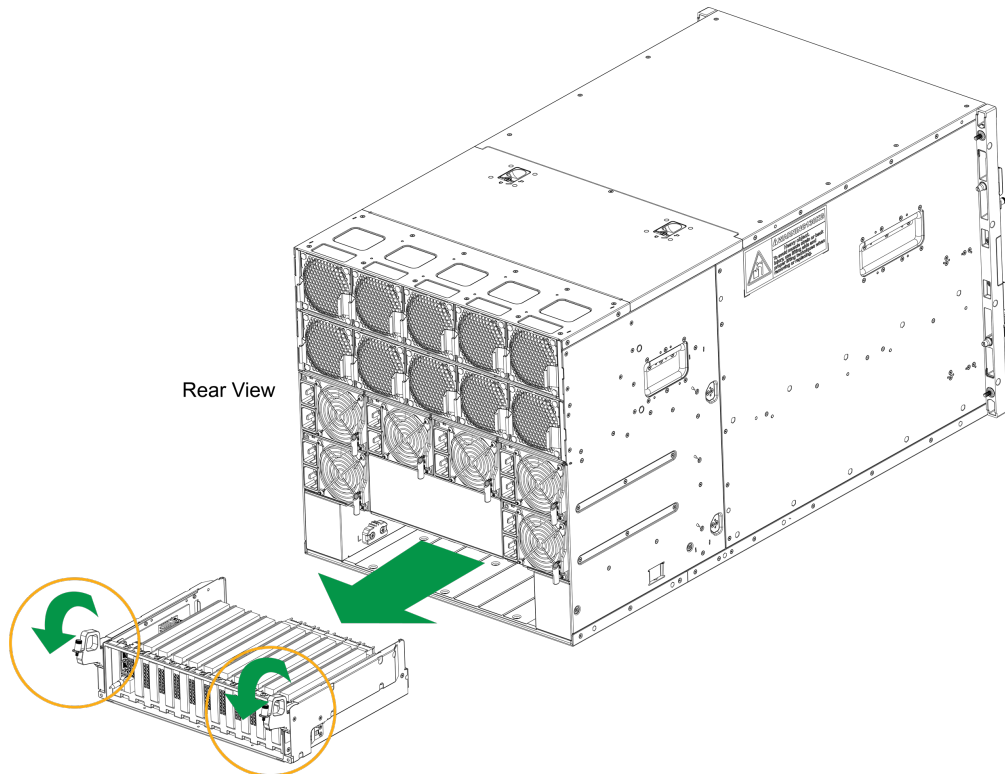
Refer to the following sections for information on the expansion cards supported by the AS -8126GS-TNMR server.

### PCIe Expansion Cards

The AS -8126GS-TNMR supports up to 10 low-profile PCIe expansion slots in a pull-out drawer for easier installation and maintenance.

#### *Removing the Rear LPIO Drawer*

The LPIO drawer is located in the rear of the chassis along with the system fans and power supplies. Removing the drawer by unlocking the two levers on either end and pulling out the drawer.



**Figure 3-28. Removing the LPIO Drawer**

1. Locate the locking levers. There is one locking lever on each side. Pull them outward at the same time to unlock the drawer from the chassis.
2. Grasp both these locking levers and pull the LPIO drawer out of the chassis.

## 3.10 Power Supply

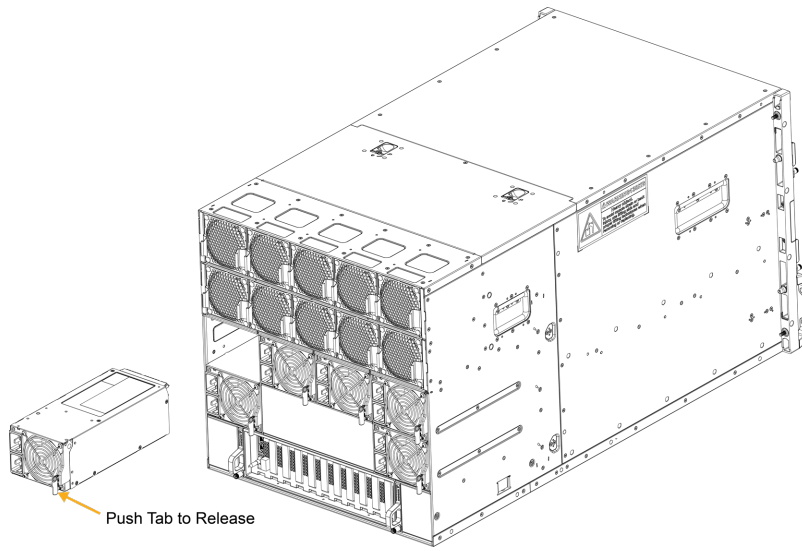
The AS -8126GS-TNMR includes six hot-plug power supply modules. These modules will automatically sense and operate at an input voltage between 100–240 V. Note that different input voltages will result in different maximum power output levels.

In the event of a power module failure, the other power module will continue to power the system on its own. Failed power supply modules can be replaced without powering down the system. Replacement modules can be ordered directly from Supermicro.

Power Supply Indicators		
Power Supply Condition	Green LED	Amber LED
No AC power to power supply	Off	Off
Power supply critical events causing a shutdown/failure/OCP/OVP/Fan Fail/OTP/UVP	Off	On
Power supply warning events where the power supply continues to operate; high temperature; over voltage; under voltage, etc.	Off	1 Hz Blinking
AC present only 12 VSB ON (PS OFF)	1 Hz Blinking	Off
Output ON and OK	On	Off
AC cord unplugged and in redundant mode	Off	On

### Replacing the Power Supply

1. Unplug the AC power cord from the failed power supply module.
2. Push and hold the release tab on the back of the power supply.
3. Grasp the handle of the power supply and pull it out of its bay.
4. Push the new power supply module into the power bay until it clicks into the locked position.
5. Plug the AC power cord back into the power supply module.



**Figure 3-29. Installing a Power Supply Module**

## Chapter 4:

# Motherboard Connections, Jumpers, and LEDs

This section describes the connections on the motherboard and provides pinout definitions. Note that depending on how the system is configured, not all connections are required. The LEDs on the motherboard are also described here. A motherboard layout indicating component locations may be found in the ["Introduction" on page 12](#). More detail can be found in the H14DSG-OD motherboard manual.

Review the ["Standardized Warning Statements for AC Systems" on page 165](#) before installing or removing components.

---

<b>4.1 Power Supply Connectors</b> .....	<b>74</b>
Power Supply .....	74
Power Supply Connectors .....	74
Fan Board 54 V 8-pin Connector .....	74
Backplane and BlueField-3 Card 12 V 8-pin Power Connectors .....	75
E1.S Backplane, M.2 Module, BlueField-3 Risers, and BlueField-3 Bridge Boards 12 V 4-pin Power Connectors .....	75
<b>4.2 Headers and Connections</b> .....	<b>76</b>
Fan Headers (FAN1 to FAN5) .....	76
TPM/Port 80 Header .....	76
NC-SI Connection .....	77
Fan Board I2C Header .....	77
NVMe/SATA I2C Header .....	78
Liquid Cooling Leak Detection Connector .....	78
MCIO M.2 NVMe Connector .....	78
Midplane and NIC Card Carrier Board Connectors .....	79
SATA Port .....	79
<b>4.3 Front/Rear I/O Module Connectors</b> .....	<b>80</b>
I/O Module Connectors .....	80
<b>4.4 Jumper Settings</b> .....	<b>81</b>
CMOS Clear .....	81
JPG1 .....	82

---

JUID1 .....	82
<b>4.5 LED Indicators .....</b>	<b>83</b>
Onboard Power LED (LED1) .....	83
RoT Status LED (LED2) .....	83
BMC Heartbeat LED (LED3) .....	83

## 4.1 Power Supply Connectors

The H14DSG-OD has four PowerMAX power input connectors: JSW\_PWR1, JSW\_PWR2, and JSW\_PWR4 for 12 VDC power input via the midplane, and JSW\_P54V1 for 54 VDC power input via the midplane.

### Power Supply

As with all computer products, a stable power source is necessary for proper and reliable operation. It is even more important for processors that have high CPU clock rates where noisy power transmission is present.

### Power Supply Connectors

The H14DSG-OD has four PowerMAX power input connectors: JSW\_PWR1, JSW\_PWR2, and JSW\_PWR4 for 12 VDC power input via the midplane, and JSW\_P54V1 for 54 VDC power input via the midplane.

### Fan Board 54 V 8-pin Connector

JPWR6 is an 8-pin, 54 VDC power connector for the system's fan board. Refer to the table below for pin definitions.

Fan Board Power			
Pin Definitions			
Pin#	Definition	Pin#	Definition
1	Ground	5	+54 V
2	Ground	6	+54 V
3	Ground	7	+54 V
4	Ground	8	+54 V

## Backplane and BlueField-3 Card 12 V 8-pin Power Connectors

JPWR3, JPWR4, and JPWR12 are 8-pin 12 VDC power inputs. JPWR3 and JPWR4 are for the system's left and right BlueField-3 cards. JPWR12 is for the system's backplane. Refer to the table below for pin definitions.

8-Pin Power			
Pin Definitions			
Pin#	Definition	Pin#	Definition
1	Ground	5	+12 V
2	Ground	6	+12 V
3	Ground	7	+12 V
4	Ground	8	+12 V

## E1.S Backplane, M.2 Module, BlueField-3 Risers, and BlueField-3 Bridge Boards 12 V 4-pin Power Connectors

JPWR11, JPWR13, JPWR14, and JPWR15 are 4-pin 12 VDC power inputs. JPWR11 provides power to the system's E1.S backplane. JPWR13 supplies power to the system's M.2 module. JPWR14 is used for the system's left BlueField-3 riser and BlueField-3 bridge board via a Y cable. JPWR15 powers the system's right BlueField-3 riser and BlueField-3 bridge board, also through a Y cable. Refer to the table below for pin definitions.

4-Pin Power	
Pin Definitions	
Pin#	Definition
1	Ground
2	Ground
3	12 V
4	12 V

## 4.2 Headers and Connections

For information about the headers on the H14DSG-OD motherboard, refer to the following content.

### Fan Headers (FAN1 to FAN5)

There are five fan headers (FAN1 to FAN5) on the motherboard. These are 6-pin fan headers, with pins 1-3 being backward compatible with traditional 3-pin fans. The onboard fan speeds are controlled by Fan Mode in the BMC. When using Fan Mode setting, use all 6-pin fans.

Fan Header Pin Definitions	
Pin#	Definition
1	Ground (Black)
2	+12 V (Red)
3	Tachometer (Yellow)
4	PWM control (Blue)
5	12 V
6	Ground

### TPM/Port 80 Header

The JTPM1 header on the H14DSG-OD motherboard is used to connect a Trusted Platform Module (TPM)/Port 80, which is available from Supermicro (optional). A TPM/Port 80 connector is a security device that supports encryption and authentication in storage drives. It allows the motherboard to deny access if the TPM associated with the storage drive is not installed in the system. Information on the TPM is available at the following page:

[https://www.supermicro.com/manuals/other/AOM-TPM-9670V\\_9670H\\_X12\\_H12.pdf](https://www.supermicro.com/manuals/other/AOM-TPM-9670V_9670H_X12_H12.pdf)

For a detailed diagram of the H14DSG-OD motherboard, see the layout under "[Motherboard Quick Reference](#)" on page 21.

Trusted Platform Module Header Pin Definitions: 10 Total			
Pin#	Definition	Pin#	Definition
1	+3.3 V	2	SPI_CS#

Trusted Platform Module Header			
Pin Definitions: 10 Total			
Pin#	Definition	Pin#	Definition
3	RESET#	4	SPI_MISO
5	SPI_CLK	6	Ground
7	SPI_MOSI	8	No Connection
9	3V3_AUX	10	SPI_IRQ#

## NC-SI Connection

The Network Controller Sideband Interface (NC-SI) connection is located at JNCSIBF3. This connection is used to connect a Network Interface Card (NIC) to the motherboard to allow the onboard Baseboard Management Controller (BMC) to communicate with a network.

**Note:** For detailed instructions on how to configure Network Interface Card (NIC) settings, refer to the Network Interface Card Configuration User's Guide posted on the web page under the link: <https://www.supermicro.com/support/manuals>.

For a detailed diagram of the H14DSG-OD motherboard, see the layout under "[Motherboard Quick Reference](#)" on page 21.

## Fan Board I<sup>2</sup>C Header

An I<sup>2</sup>C fan header for the fan board is located at JP3. Fan speed control for this fan is supported by Thermal Management via the BMC 2.0 interface. See the table below for pin definitions.

Fan Board I <sup>2</sup> C Header	
Pin Definitions	
Pin#	Definition
1	SDA
2	Ground
3	SCL
4	P3V3_AUX

## NVMe/SATA I2C Header

The NVMe/SATA SMBus (I2C) header (JRSI2C1) provides hot-plug support via a dedicated SMBus interface. This feature is only available for a complete Supermicro system with a proprietary Supermicro NVMe/SATA add-on card and a proper cable installed. See the table below for pin definitions.

NVMe/SATA I2C Header	
Pin Definitions	
Pin#	Definition
1	SDA
2	Ground
3	SCL
4	P3V3_AUX

## Liquid Cooling Leak Detection Connector

Four liquid cooling leak detection connectors are located at JLC0 through JLC3 on the motherboard. JLC0 is used for leak detection on the PCIe switch cold plate, JLC1 for leak detection on the CPU2 side, JLC2 for leak detection around the DIMM slots, and JLC3 for leak detection on the CPU1 side. Connect the appropriate cable from the chassis to receive notifications when a leak is detected. Refer to the table below for pin definitions.

Leak Detection Connector (JLC0-3)	
Pin Definitions	
Pin#	Definition
1	Vsen+
2	Vsen-

## MCIO M.2 NVMe Connector

The motherboard features a single MCIO x4 connector (JMCIO\_P1P4), which is supported by CPU2. This connector supports a PCIe 3.0 x4 connection and is used for the M.2 module (AOC-SMG4-2M2 or AOM-S3808NI-4NM).

## **Midplane and NIC Card Carrier Board Connectors**

There are eight ExaMax connectors (JSW\_1 to JSW\_8) on the motherboard to connect to the midplane for the GPU system.

In addition, there are six PCIe 5.0 ExaMax connectors (JNIC1 to 6) to connect to the NIC card carrier board, which supports eight PCIe 5.0 x16 connections.

## **SATA Port**

The AS -8126GS-TNMR motherboard has one SATA 3.0 port (JS1) that is supported by ASMEDIA ASM1061.

## 4.3 Front/Rear I/O Module Connectors

### I/O Module Connectors

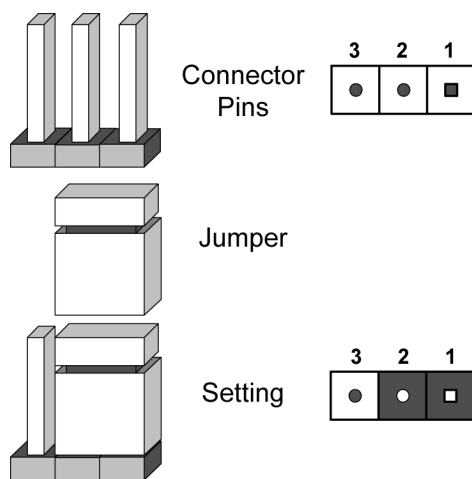
Two connectors on the motherboard provide I/O module connections.

- **Rear I/O:** The BMC dedicated LAN port is supported through AOC-DP805-IO.
- **Front access:** The connector located at JFP1 provides connection to an I/O module. It supports one UID switch, and one UID LED indicator. Two USB 3.0 ports are supported with the JUSB1 connector. VGA is supported with the JVGA1 connector.

## 4.4 Jumper Settings

To modify the operation of the motherboard, jumpers can be used to choose between optional settings. Jumpers create shorts between two pins to change the function of the connector. Pin 1 is identified with a square solder pad on the printed circuit board. See the diagram below for an example of jumping pins 1 and 2. Refer to the motherboard layout page for jumper locations.

**Note:** On two-pin jumpers, "Closed" means the jumper is on and "Open" means the jumper is off the pins.



**Figure 4-1. Jumping Connector Pins**

### CMOS Clear

JBT1 on the H14DSG-OD motherboard is used to clear CMOS, which will also clear any passwords. Instead of pins, this jumper consists of contact pads to prevent accidentally clearing the contents of CMOS.

For a detailed diagram of the H14DSG-OD motherboard, see the layout under "[Motherboard Quick Reference](#)" on page 21.



1. First power down the system and unplug the power cord(s).
2. Remove the cover of the chassis to access the motherboard.
3. Remove the onboard battery from the motherboard.

4. Short the CMOS pads, JBT1, with a metal object such as a small screwdriver for at least four seconds.

**Note:** Clearing CMOS will also clear all passwords.

5. Remove the screwdriver (or shorting device).
6. Replace the cover, reconnect the power cord(s), and power on the system.

## JPG1

JPG1 enables or disables the VGA connector. The default setting is enabled.

JPG1	
Jumper Position	Definition
Pins 1–2	Enabled
Pins 2–3	Disabled

## JUID1

JUID1 is used for a chassis that supports a front UID button. Setting JUID1 to pins 2-3 configures the front UID button as a reset button.

JUID1	
Jumper Position	Definition
Pins 1–2	Switch function UID
Pins 2–3	Reset

## 4.5 LED Indicators

For information about the LED indicators on the AS -8126GS-TNMR server, refer to the following content.

### Onboard Power LED (LED1)

The Onboard Power LED is located at LED1 on the H14DSG-OD motherboard. When this LED is on, the system is on. Be sure to turn off the system and unplug the power cord before removing or installing components.

For a detailed diagram of the H14DSG-OD motherboard, see the layout under "[Motherboard Quick Reference](#)" on page 21.

Onboard Power LED Indicator	
LED Color	Definition
Off	System Power Off (power cable not connected)
Green	System Power On

### RoT Status LED (LED2)

A RoT (Root-of-Trust) status LED is located at LED2 on the H14DSG-OD motherboard. When this LED is lit, it means the RoT check has failed. See the table below for more information.

RoT Status LED Indicator	
LED Color	Definition
Off	Normal
Red	Fail

### BMC Heartbeat LED (LED3)

A BMC Heartbeat LED is located at LED3 on the H14DSG-OD motherboard. When this LED is blinking, the BMC is functioning normally.

For a detailed diagram of the H14DSG-OD motherboard, see the layout under "[Motherboard Quick Reference](#)" on page 21.

BMC Heartbeat LED Indicator	
LED Color	Definition
Solid On	BMC is not ready

<b>BMC Heartbeat LED Indicator</b>	
<b>LED Color</b>	<b>Definition</b>
Blinking	BMC Normal
Fast Blinking	BMC: Initializing

# Chapter 5:

## Software

After the AS -8126GS-TNMR server has been installed, you can install the Operating System (OS), configure RAID settings, and install the drivers.

---

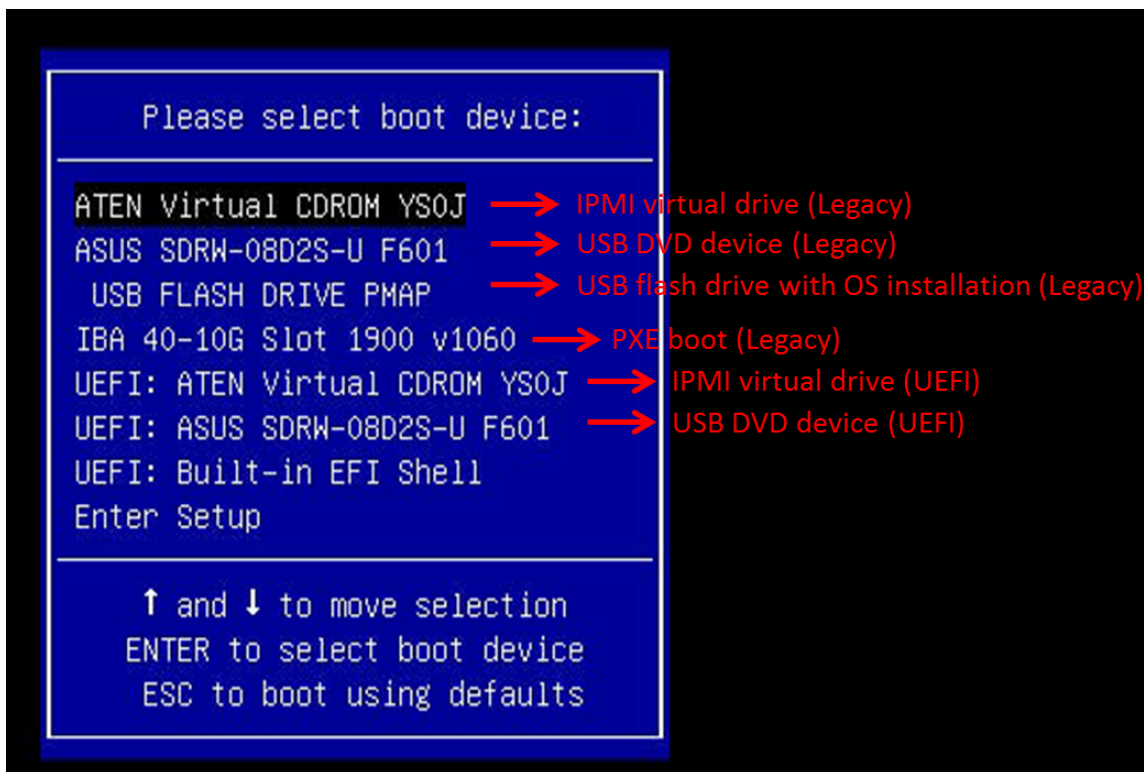
<b>5.1 Microsoft Windows OS Installation</b> .....	<b>86</b>
Installing the OS .....	86
<b>5.2 Driver Installation</b> .....	<b>88</b>
<b>5.3 BMC</b> .....	<b>89</b>
BMC ADMIN User Password .....	89

## 5.1 Microsoft Windows OS Installation

If you will be using RAID, you must configure RAID settings before installing the Windows OS and the RAID driver. Refer to the RAID Configuration User Guides posted on our website at <https://www.supermicro.com/support/manuals>.

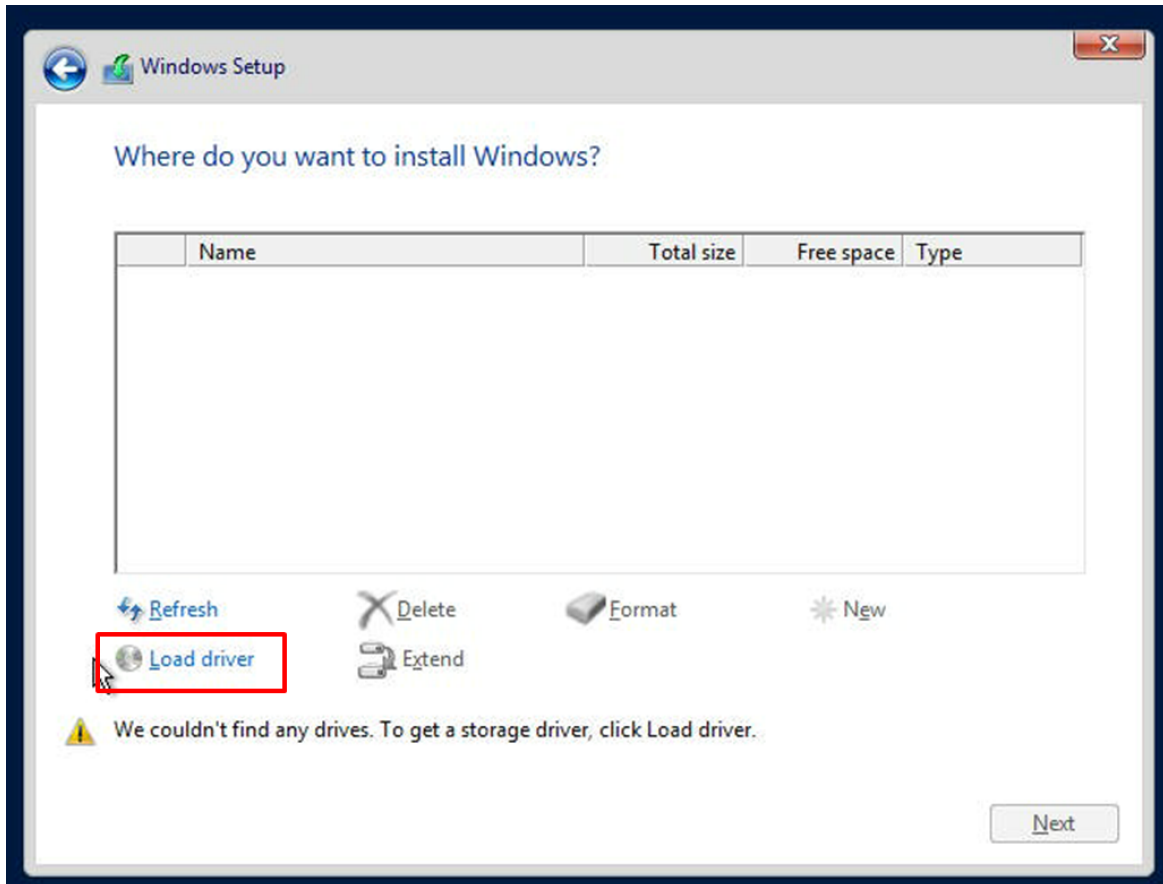
### Installing the OS

1. Create a method to access the Microsoft Windows installation ISO file. That can be a USB flash or media drive, or the BMC KVM console.
2. Retrieve the proper drivers. Go to the Supermicro web page for your motherboard and click on "Download the Latest Drivers and Utilities," select the proper driver, and copy it to a USB flash drive.
3. Boot from a bootable device with Windows OS installation. You can see a bootable device list by pressing <F11> during the system bootup.



**Figure 5-1. Selecting the Boot Device**

4. During Windows Setup, continue to the dialog box where you select the drives on which to install Windows. If the disk you want to use is not listed, click on the "Load driver" link at the bottom left corner.



**Figure 5-2. Loading the Driver Link**

To load the driver, browse the USB flash drive for the proper driver files.

5. Once all devices are specified, continue with the installation.
6. After the Windows OS installation has completed, the system will automatically reboot multiple times for system updates.

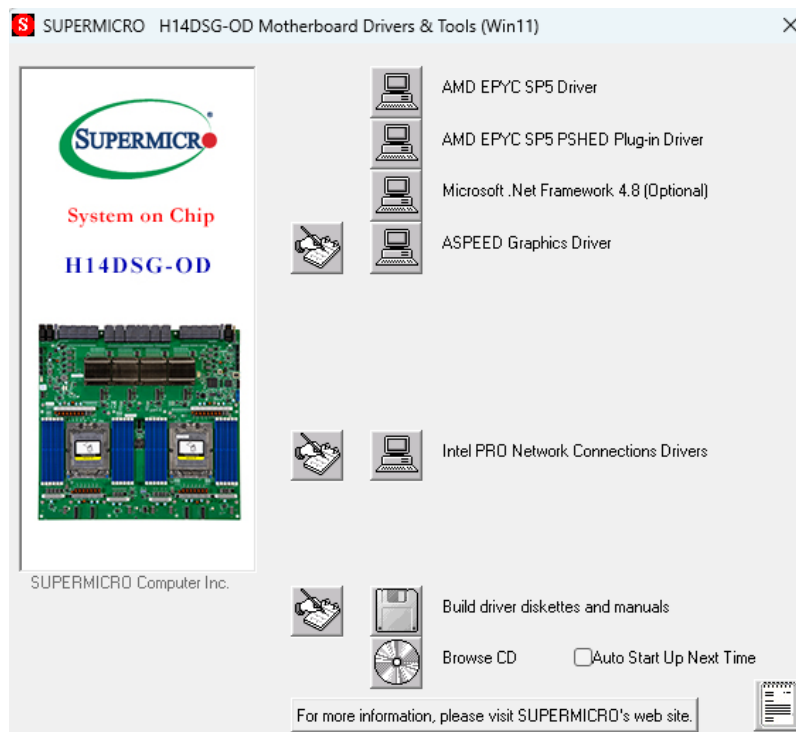
## 5.2 Driver Installation

The Supermicro website contains drivers and utilities for your system at the following page:

<https://www.supermicro.com/wdl>.

Some of these drivers and utilities must be installed, such as the chipset driver. After accessing the website, go into the CDR\_Images (in the parent directory of the above link) and locate the ISO file for your motherboard. Download this file to a USB flash or media drive. You may also use a utility to extract the ISO file if preferred.

Another option is to go to the Supermicro website at <https://www.supermicro.com>. Find the product page for your motherboard and download the latest drivers and utilities. Insert the flash drive or disk, and the screenshot shown below should appear.



**Figure 5-3. Driver Download Screenshot**

**Note:** Click the icons showing a hand writing on paper to view the readme files for each item. Click the computer icons to the right of these items to install each item (from top to bottom) one at a time. After installing each item, you must reboot the system before moving on to the next item on the list. The bottom icon with a CD on it allows you to view the entire contents.

## 5.3 BMC

The H14DSG-OD motherboard provides remote access, monitoring, and management through the baseboard management controller (BMC) and other management controllers distributed among different system modules. There are several BIOS settings that are related to BMC. For general documentation and information on BMC, visit our website at the following page:

<https://www.supermicro.com/en/solutions/management-software/bmc-resources>

### BMC ADMIN User Password

For security, each system is assigned a unique default BMC password for the ADMIN user. The password can be found on a sticker on the motherboard and a sticker on the chassis, for Supermicro chassis. The sticker also displays the BMC MAC address. If necessary, the password can be reset using the Supermicro IPMICFG tool.



**Figure 5-4. BMC Password Label**

# Chapter 6:

## Optional Components

This chapter describes alternate configurations and optional system components for the AS - 8126GS-TNMR server.

---

<b>6.1 TPM Security Module</b> .....	<b>91</b>
<b>6.2 HBA Card</b> .....	<b>92</b>
<b>6.3 RAID Cards</b> .....	<b>93</b>
<b>6.4 Cable Management Arm</b> .....	<b>94</b>
Installing the Cable Management Arm .....	95
Removing the Cable Management Arm .....	96
<b>6.5 Intel Virtual RAID on CPU (VROC)</b> .....	<b>97</b>
Requirements and Restrictions .....	97
Additional Information .....	97
Hardware Key .....	98
Configuring Intel VMD .....	99
Creating NVMe RAID Configurations .....	103

## 6.1 TPM Security Module

This is an SPI-capable TPM 2.0 with Infineon 9672 controller.

The JTPM1 header is used to connect a Trusted Platform Module (TPM). A TPM is a security device that supports encryption and authentication in storage drives. It enables the H14DSG-OD motherboard to deny access if the TPM associated with the storage drive is not installed in the AS -8126GS-TNMR server.

For details and installation procedures, refer to the following page:

<https://www.supermicro.com/en/products/accessories/addon/AOM-TPM-9672V.php>

- AOM-TPM-9672V (TCG 2.0)

## 6.2 HBA Card

This is a 12 Gb/s, multi-port SAS PCIe Gen 4.0 internal Host Bus Adapter (HBA) card.

The Supermicro HBA AOC-S3816L-L16iT features 16 internal SAS connectors, while the AOC-S3808L-L8iT features eight internal SAS connectors. Both are designed for high-performance storage connectivity.

These cards use Broadcom's 3816 and 3808 I/O processors for optimum performance with PCI Express Gen 4.0 host interface for increased bandwidth.

Each Add-On-Card supports up to 122 devices as HBA in IT mode via the expander backplane.

## 6.3 RAID Cards

These are Super Micro Computer, Inc. 12 Gb/s, multi-port PCIe Gen 4.0 RAID adapter cards.

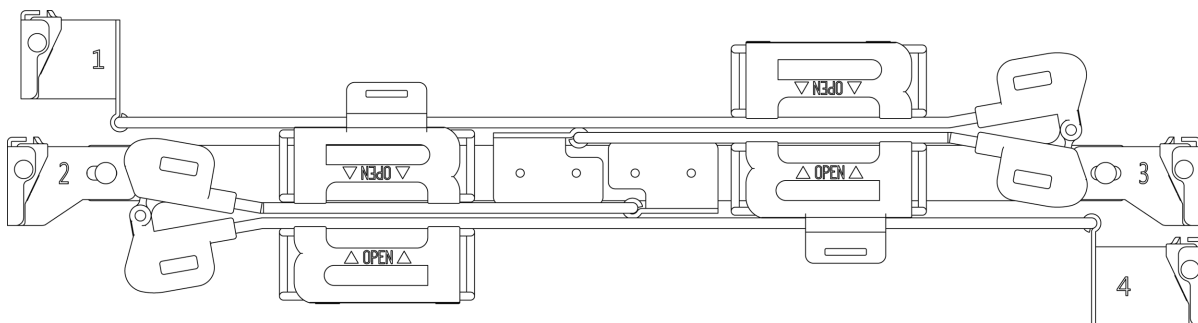
The low-profile AOC-S3908L-H8iR RAID card features eight internal SAS connectors and the AOC-S3916L-H16iR features 16 internal SAS connectors. Both offer high-performance storage connectivity. These RAID cards are built on the Broadcom SAS IC technology and MegaRAID technology to address the growing demand for increased data throughput and scalability requirements across the enterprise-class server platforms.

With high-performance RAID architecture, including hardware RAID 5 and 6, these RAID controller cards support high capacity storage applications. They deliver cost-effective storage solutions using SATA drives and maximum performance and reliability with SAS drives. Using expander backplanes, they support up to 16, 32, and 240 drives (depending on SKU) with RAID 0, 1, 5, 6, 10, 50, and 60.

## 6.4 Cable Management Arm

The AS -8126GS-TNMR server supports a cable management arm (CMA), which keeps the rear cables organized and clear of the rail mechanisms when the system is extended out the front of the rack for maintenance.

The CMA attaches to the rack mounting rails using four connectors. They are labeled as connectors 1, 2, 3, and 4.

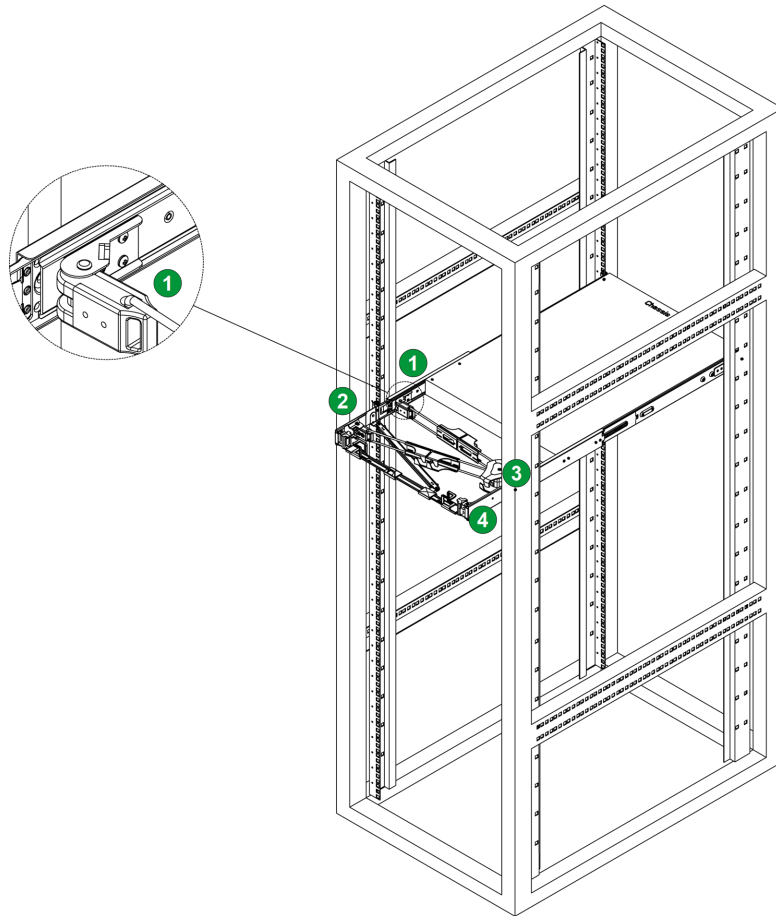


**Figure 6-1. Cable Management Arm**

Cable Arm Details		
Optional Part	Part Number	Description
Cable Arm	MCP-290-00168-0N	7.5" deep cable arm
Rail Set	MCP-290-11901-0N	41.2" rails (optimized for 1200-mm deep racks)

## Installing the Cable Management Arm

1. Slide CMA connector #1 forward onto the two posts on the rear of the right inner rail (right side when viewed from the front). It snaps into place.
2. Slide CMA connector #2 forward onto the two posts on the rear of the right middle rail. It snaps into place.



**Figure 6-2. Installing the Connectors**

3. Slide CMA connector #3 forward onto the two posts on the rear of the left middle rail. It snaps into place.
4. For CMA connector #4, align the metal tabs with the slots on the rear of the left outer rail and push it forward. It snaps into place.
5. Route the cables through the holding brackets, leaving enough slack.

## Removing the Cable Management Arm

1. Remove cables from the CMA.
2. For CMA connector #4, pull the metal release tab toward the center of the rack and slide the connector toward the rear to release it.
3. For CMA connectors #3, #2, and #1, depress the front edge of the yellow plastic rocker lock and slide the connector toward the rear to release it.

## 6.5 Intel Virtual RAID on CPU (VROC)

Intel® Virtual RAID on CPU (Intel VROC) is an enterprise RAID solution for NVMe SSDs directly attached to Intel Xeon Scalable processors. Intel Volume Management Device (VMD) is an integrated controller inside the CPU PCIe root complex.

- A single processor supports up to 12 NVMe SSDs and up to 6 RAID arrays.
- A dual processor system supports up to 24 NVMe SSDs and 12 RAID arrays.

Stripe sizes are 4K, 8K, 16K, 32K, 64K, 128K.

### Requirements and Restrictions

- *Intel VROC is only available when the system is configured for UEFI boot mode.*
- To enable the **mdadm** command and support for RSTe, install the patch from
  - Linux: <https://downloadcenter.intel.com/download/28158/Intel-Virtual-RAID-on-CPU-Intel-VROC-and-Intel-Rapid-Storage-Technology-enterprise-Intel-RSTe-Driver-for-Linux->
  - Windows: <https://downloadcenter.intel.com/download/28108/Intel-Virtual-RAID-on-CPU-Intel-VROC-and-Intel-Rapid-Storage-Technology-enterprise-Intel-RSTe-Driver-for-Windows->
- To enable Intel VROC, a hardware key must be inserted on the motherboard, and the appropriate processor's Virtual Management Devices must be enabled in the BIOS setup.
- It is possible to enable Intel VROC without a hardware key installed, but only RAID0 will be enabled.
- Intel VROC is not compatible with secure boot. This feature must be disabled.
- When creating bootable OS RAID1 devices, you must have both devices on the same CPU, and a VMD on that CPU.
- Spanning drives when creating RAID devices is not recommended due to performance issues, even though it is supported.

### Additional Information

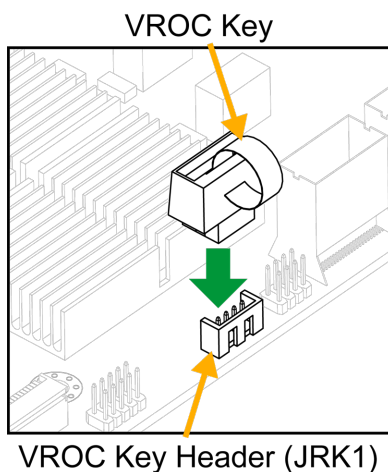
- Latest SSD and operating system information:  
<https://www.intel.com/content/www/us/en/support/articles/000030310/memory-and-storage/ssd-software.html>

- Additional information for the Supermicro add-on card and linked manuals:  
<https://www.supermicro.com/products/accessories/addon/AOC-VROCxxxMOD.cfm>

## Hardware Key

The Intel VROC hardware key is a license key that detects the Intel VROC SKU and activates the function accordingly. The key must be plugged into the Supermicro motherboard (connector JRK1). The key options are:

Intel® VROC Keys			
VROC Package	Description	Part Number	Intel MM Number
Standard	RAID 0, 1, 10 Supports 3rd party SSDs	AOC-VROCSTNMOD	951605
Premium	RAID 0, 1, 5, 10 Supports 3rd party SSDs	AOC-VROCPREMOD	951606



**Figure 6-3. Intel VROC RAID Key and Motherboard Connector JRK1**

## Configuring Intel VMD

VMD must be enabled on PCIe ports which have NVMe drives attached to them in order for those drives to be added to a VROC RAID configuration. The default BIOS setting for the NVMe Mode Switch is Auto which automatically enables VMD on all installed NVMe drives.

NVMe Mode Switch:

- Auto: Enables VMD for all NVMe ports if VROC Key is installed.
- VMD: Enables VMD for all NVMe ports despite the lack of the VROC Key.
- Manual: Allows the user to select specific NVMe ports on which to enable VMD.

The NVMe Mode Switch can be viewed or selected at BIOS > Advanced > Chipset Configuration > North Bridge > IIO Configuration > Intel® VMD Technology.

**Note:** Without a VROC Key, there is no RAID support with the Auto switch. Only RAID 0 is supported with the VMD and Manual switches.

### Configuring VMD Manually

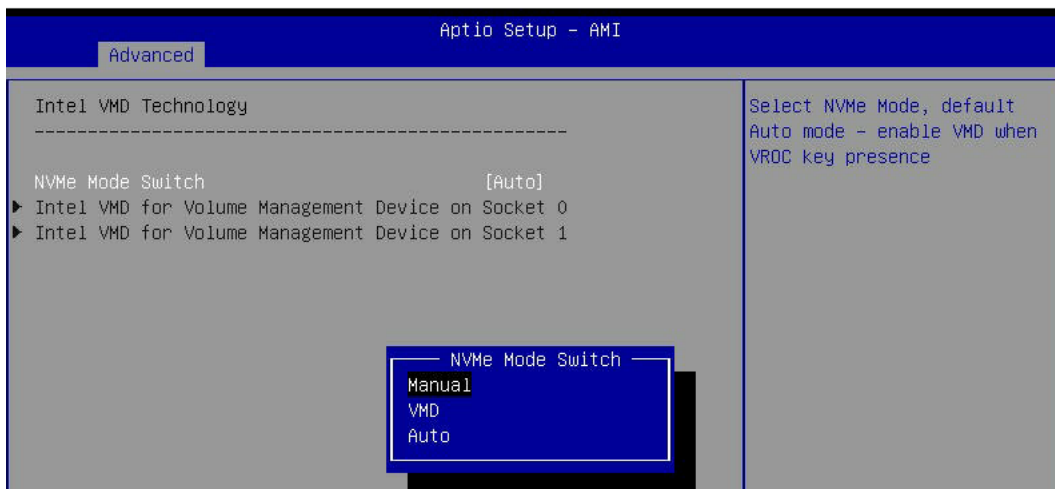
The steps for manually configuring VMD on specific NVMe ports in UEFI BIOS are shown below. Example screenshots may differ from your server.

#### Important:

- If there is an existing RAID configuration, delete the RAID volume associated with the VMD controller before disabling the controller. Failure to do so may lead to unexpected behavior.
- The effects of physically changing or swapping a CPU on the VMD controller have not been thoroughly tested or documented.

1. Reboot the server and press [DEL] key to access the BIOS options.
2. Switch to Advanced > Chipset Configuration > North Bridge > IIO Configuration > Intel® VMD Technology.
3. Select VMD Mode Switch, then select Manual.

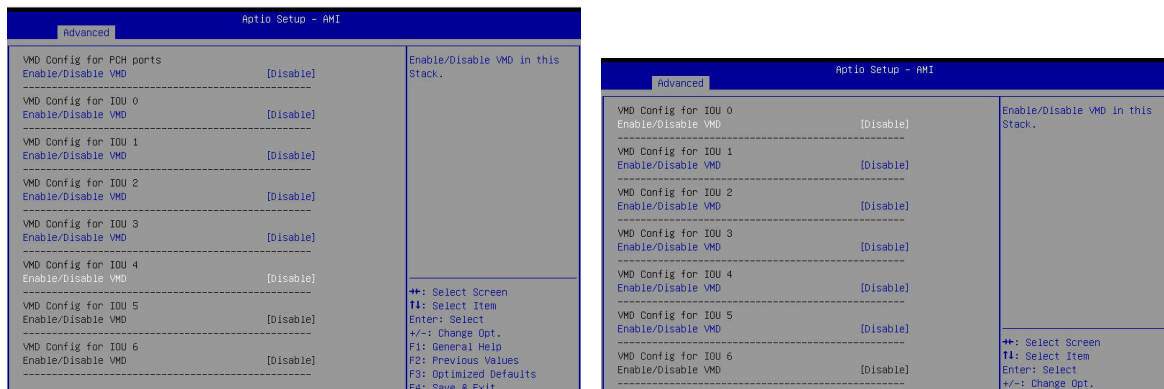
Note that Socket 0 contains CPU1; Socket 1 contains CPU2.



**Figure 6-4. BIOS, Selecting VMD Mode**

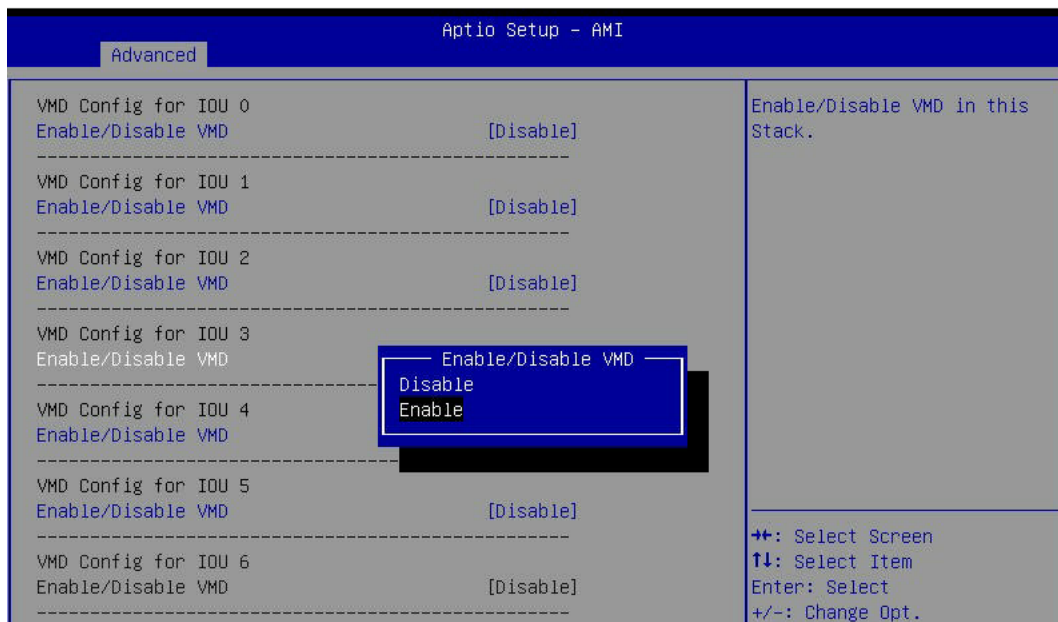
4. VMD must only be enabled on NVMe port resources. If VMD is enabled on other PCIe ports, the functionality of those ports will be impacted. See the table below.

Select “Intel VMD for Volume Management Device on” on Socket 0 (CPU1) or Socket 1 (CPU2) to enable VMD for devices under the respective CPU.

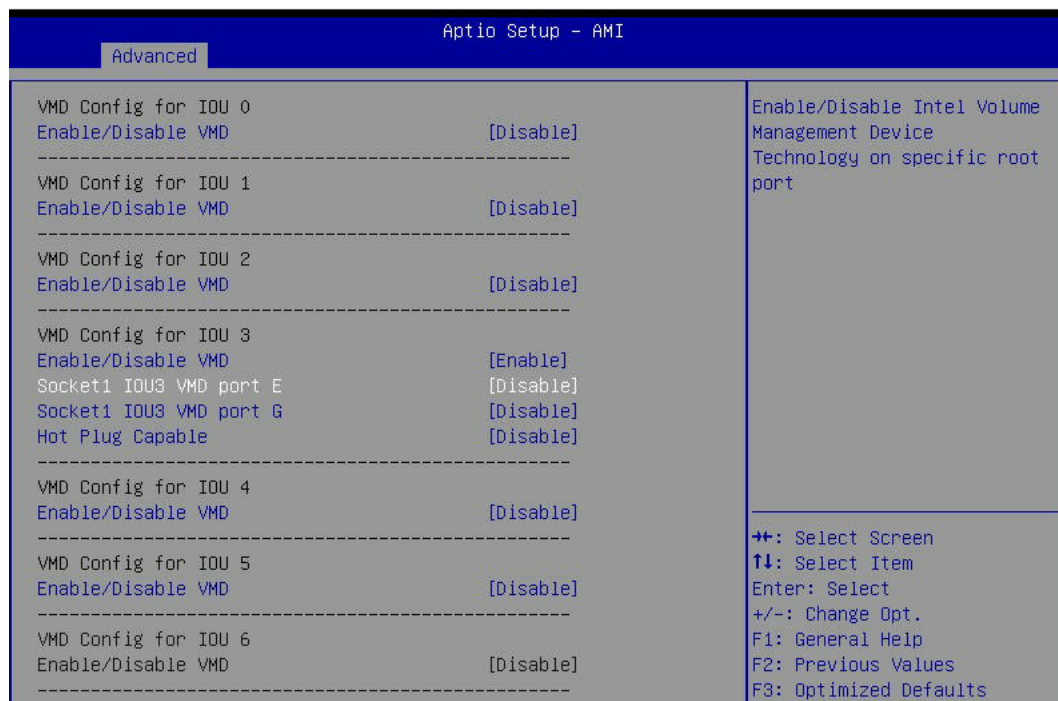


**Figure 6-5. Intel VMD for Volume Management Device on Socket 0 and Socket 1**

5. Choose Enable for “Enable/Disable VMD” for IOU 3 to list the available devices under IOU 3.

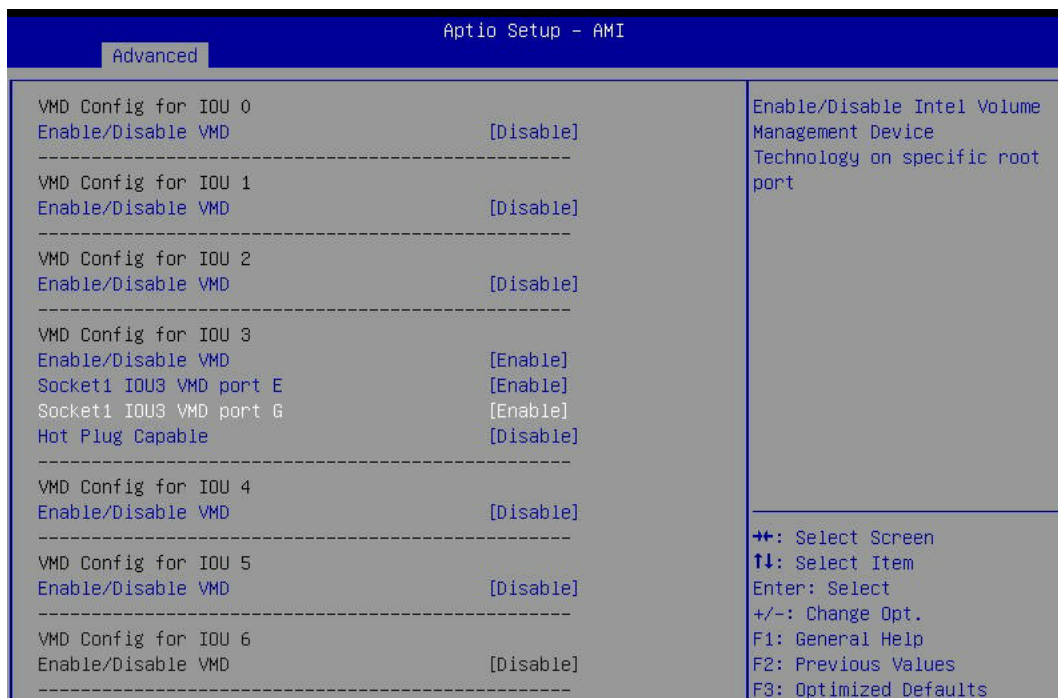


**Figure 6-6. BIOS, Enabling VMD on Socket 1 (CPU2) (Example)**



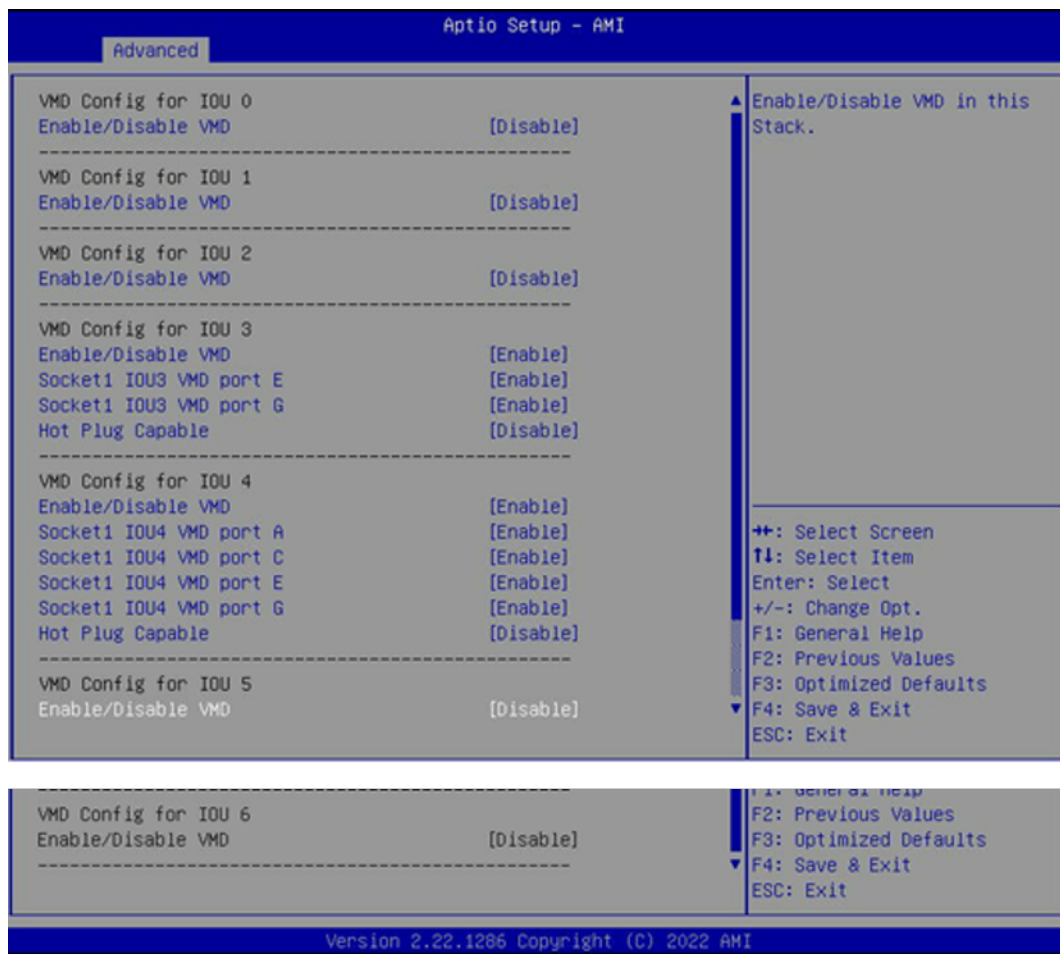
**Figure 6-7. BIOS, Enabling VMD on Socket 1 (Example)**

6. Enable the NVMe port resource according to table above for the NVMe drives that will be used in a RAID configuration.



**Figure 6-8. BIOS, Enabling Socket 1 (Example)**

7. Choose whether to make the NVMe drives in this IOU Hot Plug Capable by selecting Enabled or Disabled.
8. Repeat steps 4 through 7 for each IOU # on each CPU to enable VMD on the desired NVMe ports.

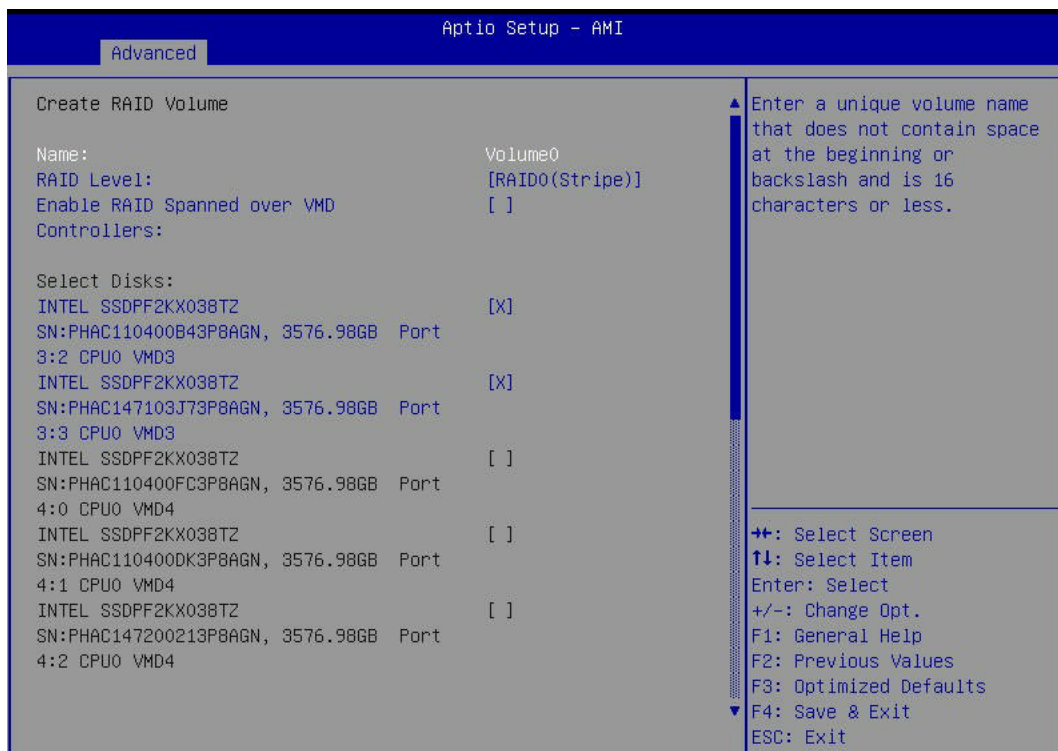


**Figure 6-9. BIOS, Enabling Socket 1 Completed (Example)**  
 (This example shows SYS-621H-TN12R with 12 NVMe. Other systems will look different.)

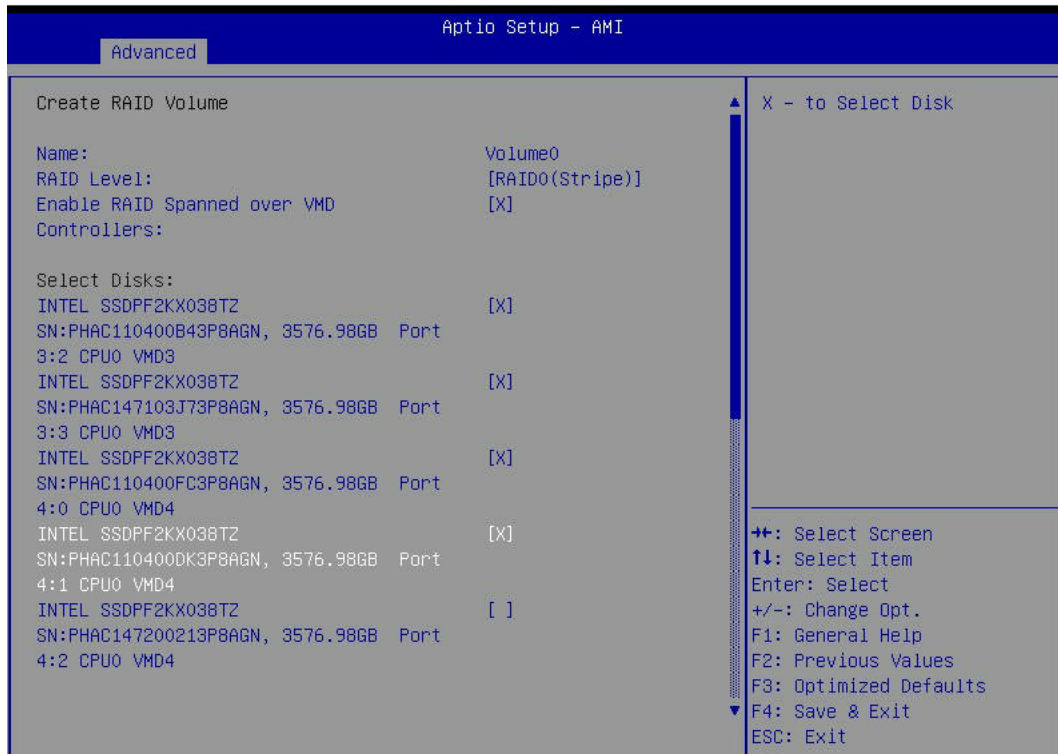
9. Press [F4] to save the configuration and reboot the system.

## Creating NVMe RAID Configurations

1. Open Advanced > Intel(R) Virtual RAID on CPU > All Intel VMD Controllers > Create RAID Volume.



**Figure 6-10. Creating Volume Without Enabling RAID Spanned over VMD Controller**



**Figure 6-11. Creating Volume With Enabling RAID Spanned over VMD Controller**

2. Set Name.

3. Set RAID Level.
4. If cross-controller RAID is required, select Enable RAID spanned over VMD Controller.
5. Select specific disks for RAID with an [X].
  - RAID0: Select at least two [2–24] disks
  - RAID1: Select only two disks
  - RAID5: Select at least three [3–24] disks
  - RAID10: Select only four disks
6. Select Strip Size (Default 64 KB).
7. Select Create Volume.
8. If another RAID is needed, start again at step 1.

### **Status Indications**

An LED indicator on the drive carrier shows the RAID status of the drive.

<b>Drive Carrier Status LED Indicator</b>	
<b>Status</b>	<b>State (red)</b>
Normal function	Off
Locating	4 Hz blinking
Fault	Solid on
Rebuilding	1 Hz blinking
<b>IBPI SFF 8489 Defined Status LED States</b>	

### **Hot-Swap Drives**

Intel VMD enables hot-plug and hot-unplug for NVMe SSDs, whether from Intel or other manufacturers. Under vSphere ESXi, several steps are necessary to avoid potential stability issues. See the information at link [1] below.

#### **Hot-Unplug**

1. Prevent devices from being re-detected during rescan:
 

```
esxcli storage core claiming autoclaim --enabled=false
```
2. Unmount the VMFS volumes on the device. Check link [2] below for details.
3. Detach the device. Check link [3] below for details.
4. Physically remove the device.

## *Hot-Plug*

- Physically install the device.

ESXi will automatically discover NVMe SSDs, but a manual scan may be required in some cases.

### ***Related Information Links***

1. <https://kb.vmware.com/s/article/2151404>
2. <https://docs.vmware.com/en/VMware-vSphere/6.5/com.vmware.vsphere.storage.doc/GUID-1B56EF97-F60E-4F21-82A7-8F2A7294604D.html>
3. <https://docs.vmware.com/en/VMware-vSphere/6.5/com.vmware.vsphere.storage.doc/GUID-F2E75F67-740B-4406-9F0C-A2D99A698F2A.html>

# Chapter 7:

## Troubleshooting and Support

The following content contains information on common issues and how to resolve them.

---

<b>7.1 Online Resources</b> .....	<b>108</b>
Direct Links for the AS -8126GS-TNMR System .....	108
Direct Links for General Support and Information .....	108
<b>7.2 Baseboard Management Controller (BMC)</b> .....	<b>109</b>
<b>7.3 Troubleshooting Procedures</b> .....	<b>110</b>
Before Power On .....	110
No Power .....	110
No Video .....	110
System Boot Failure .....	110
Memory Errors .....	111
Losing the System's Setup Configuration .....	111
If the System Becomes Unstable .....	111
<b>7.4 CMOS Clear</b> .....	<b>113</b>
<b>7.5 Motherboard Battery</b> .....	<b>114</b>
<b>7.6 Where to Get Replacement Components</b> .....	<b>115</b>
<b>7.7 Technical Support Procedures</b> .....	<b>116</b>
Returning Merchandise for Service .....	116
<b>7.8 Feedback</b> .....	<b>118</b>

## 7.1 Online Resources

A great deal of information is available on the Supermicro website. From the top menu of the Supermicro home page at <https://www.supermicro.com>:

- Specifications for servers and other hardware are available by clicking **Products**.
- The **Support** option offers downloads (manuals, BIOS/BMC, drivers, etc.), FAQs, RMA, warranty, and other service extensions.

### Direct Links for the AS -8126GS-TNMR System

- AS -8126GS-TNMR system specifications page:  
<https://www.supermicro.com/en/products/system/gpu/8u/as%20-8126gs-tnmr>
- H14DSG-OD motherboard page for links to the quick reference guide, user manual, validated storage drives, and more:  
<https://www.supermicro.com/en/products/motherboard/h14dsg-od>

### Direct Links for General Support and Information

- Frequently Asked Questions: <https://www.supermicro.com/FAQ/index.php>
- TPM User Guide: [https://www.supermicro.com/manuals/other/AOM-TPM-9670V\\_9670H\\_X12\\_H12.pdf](https://www.supermicro.com/manuals/other/AOM-TPM-9670V_9670H_X12_H12.pdf)
- Product Resources page for validated memory details:  
<https://www.supermicro.com/support/resources/mem.cfm>
- Product Matrices page for links to tables summarizing specs for systems, motherboards, power supplies, riser cards, add-on cards, and more:  
<https://www.supermicro.com/en/support/product-matrices>
- Security Center for recent security notices:  
[https://www.supermicro.com/en/support/security\\_center](https://www.supermicro.com/en/support/security_center)
- Supermicro Phone and Addresses: <https://www.supermicro.com/en/about/contact>

## 7.2 Baseboard Management Controller (BMC)

The AS -8126GS-TNMR server supports the Baseboard Management Controller (BMC). BMC is used to provide remote access, monitoring, and management. There are several BIOS settings that are related to BMC.

For general documentation and information on BMC, visit our website at the following page:

<https://www.supermicro.com/en/solutions/management-software/bmc-resources>

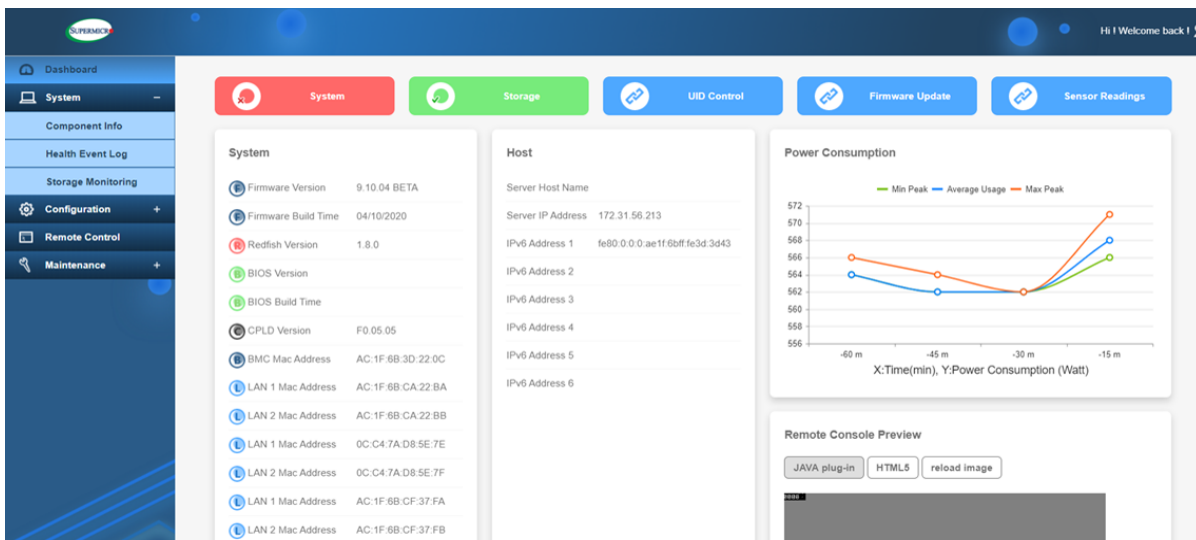


Figure 7-1. BMC Dashboard

## 7.3 Troubleshooting Procedures

Use the following procedures to troubleshoot your system. If you have followed all of the procedures below and still need assistance, refer to the ["Technical Support Procedures" on page 116](#) section in this chapter. Always disconnect the AC power cord before adding, changing or installing any non hot-swap hardware components. If the below steps do not fix the setup configuration problem, contact your vendor for repairs.

### Before Power On

1. Make sure that there are no short circuits between the motherboard and chassis.
2. Disconnect all ribbon/wire cables from the motherboard, including those for the keyboard and mouse.
3. Remove all add-on cards.
4. Install the processor (making sure it is fully seated) and connect the front panel connectors to the motherboard.

### No Power

1. Make sure that there are no short circuits between the motherboard and the chassis.
2. The battery on your motherboard may be old. Check to verify that it still supplies approximately 3 VDC. If it does not, replace it with a new one.

### No Video

1. If the power is on, but you do not have video, remove all add-on cards and cables.
2. Remove all memory modules and turn on the system (if the alarm is on, check the specs of memory modules, reset the memory, or try a different one).

### System Boot Failure

If the system does not display Power-On-Self-Test (POST) or does not respond after the power is turned on, do the following:

1. Remove all components from the motherboard, especially the DIMMs. Power on the system and check if the power-on LED and the BMC Heartbeat LED are on, and system fans are spinning.

2. Turn on the system with only one DIMM installed. If the system boots, check for bad DIMMs or slots by following the Memory Errors Troubleshooting procedure in this chapter.

## Memory Errors

When suspecting faulty memory is causing the system issue, check the following:

1. Make sure that the memory modules are compatible with the system and are properly installed. See "[Maintenance and Component Installation](#)" on [page 36](#) for installation instructions. (For memory compatibility, refer to the "Tested Memory List" link on the motherboard's product page to see a list of supported memory.)
2. Check if different speeds of DIMMs have been installed. It is strongly recommended that you use the same RAM type and speed for all DIMMs in the system.
3. Make sure that you are using the correct type of DIMMs recommended by the manufacturer.
4. Check for bad DIMMs or slots by swapping a single module among all memory slots and check the results.

## Losing the System's Setup Configuration

1. Make sure that you are using a high-quality power supply. A poor-quality power supply may cause the system to lose the CMOS setup information. Refer to "[Introduction](#)" on [page 12](#) for details on recommended power supplies.
2. The battery on your motherboard may be old. Check to verify that it still supplies approximately 3 VDC. If it does not, replace it with a new one.

## If the System Becomes Unstable

If the system becomes unstable during or after OS installation, check the following:

1. Processor/BIOS support: Make sure that your processor is supported and that you have the latest BIOS installed in your system.
2. Memory support: Make sure that the memory modules are supported. Refer to the product page on our website at <https://www.supermicro.com>. Test the modules using memtest86 or a similar utility.

**Note:** Click on the "Tested Memory List" link on the motherboard's product page to see a list of supported memory.

3. Storage Drive support: Make sure that all storage drives work properly. Replace the failed storage drives with good ones.
4. System cooling: Check the system cooling to make sure that all heatsink fans and processor/system fans, etc., work properly. Check the hardware monitoring settings in the BMC to make sure that the processor and system temperatures are within the normal range. Also, check the front panel Overheat LED and make sure that it is not on.
5. Adequate power supply: Make sure that the power supply provides adequate power to the system. Make sure that all power connectors are connected. Refer to our website for more information on the minimum power requirements.
6. Proper software support: Make sure that the correct drivers are used.

If the system becomes unstable before or during OS installation, check the following:

1. Source of installation: Make sure that the devices used for installation are working properly, including boot devices such as a CD/Media drive.
2. Cable connection: Check to make sure that all cables are connected and working properly.
3. Use the minimum configuration for troubleshooting: Remove all unnecessary components (starting with add-on cards first), and use the minimum configuration (but with the processor and a memory module installed) to identify the trouble areas. Refer to the steps listed above in this section for proper troubleshooting procedures.
4. Identify bad components by isolating them: If necessary, remove a component in question from the chassis, and test it in isolation to make sure that it works properly. Replace a bad component with a good one.
5. Check and change one component at a time instead of changing several items at the same time. This will help isolate and identify the problem.
6. To find out if a component is good, swap this component with a new one to see if the system will work properly. If so, then the old component is bad. You can also install the component in question in another system. If the new system works, the component is good and the old system has problems.

## 7.4 CMOS Clear

JBT1 on the H14DSG-OD motherboard is used to clear CMOS, which will also clear any passwords. For information on clearing CMOS, refer to ["CMOS Clear" on page 81](#) earlier in this manual.

## 7.5 Motherboard Battery

For information on removing, disposing of, and replacing the motherboard battery of your system, refer to ["Motherboard Battery Removal and Installation" on page 59](#).

## 7.6 Where to Get Replacement Components

If you need replacement parts for your AS -8126GS-TNMR server, to ensure the highest level of professional service and technical support, purchase exclusively from our Supermicro Authorized Distributors/System Integrators/Resellers. A list can be found on the Supermicro website:

<https://www.supermicro.com>

Under the "Buy" menu, click the "Where to Buy" link.

## 7.7 Technical Support Procedures

Before contacting Technical Support, take the following steps. Also, note that as a motherboard manufacturer, Supermicro also sells motherboards through its channels, so it is best to first check with your distributor or reseller for troubleshooting services. They should know of any possible problems with the specific system configuration that was sold to you.

1. Refer to "Troubleshooting Procedures" on page 110 or see the FAQs on our website (<https://www.supermicro.com/FAQ/index.php>) before contacting Technical Support.
2. BIOS upgrades can be downloaded from our website ([https://www.supermicro.com/support/resources/bios\\_ipmi.php](https://www.supermicro.com/support/resources/bios_ipmi.php)).
3. If you still cannot resolve the problem, include the following information when contacting Supermicro for technical support:
  - Motherboard model and PCB revision number
  - BIOS release date/version (This can be seen on the initial display when your system first boots up.)
  - System configuration
4. An example of a Technical Support form is on our website at <https://webpr3.supermicro.com/SupportPortal>.
5. Distributors: For immediate assistance, have your account number ready when placing a call to our Technical Support department. For Supermicro contact information, refer to "Contacting Supermicro" on page 11.

### Returning Merchandise for Service

A receipt or copy of your invoice marked with the date of purchase is required before any warranty service will be rendered. You can obtain service by calling your vendor for a Returned Merchandise Authorization (RMA) number. When returning the server to the manufacturer, the RMA number should be prominently displayed on the outside of the shipping carton, and the shipping package is mailed prepaid or hand-carried. Shipping and handling charges will be applied for all orders that must be mailed when service is complete.

For faster service, RMA authorizations can be requested online at the following page:

<https://www.supermicro.com/RmaForm>

Whenever possible, repack the server in the original Supermicro carton, using the original packaging material. If these are no longer available, be sure to pack the server securely, using packaging material to surround the server so that it does not shift within the carton and become damaged during shipping.

This warranty only covers normal consumer use and does not cover damages incurred in shipping or from failure due to the alternation, misuse, abuse or improper maintenance of products.

During the warranty period, contact your distributor first for any product problems.

## 7.8 Feedback

Supermicro values your feedback as we strive to improve our customer experience in all facets of our business. Email us at [Techwriterteam@supermicro.com](mailto:Techwriterteam@supermicro.com) to provide feedback on our manuals.

## Chapter 8:

# UEFI BIOS

The following content contains information on BIOS configuration with the AS -8126GS-TNMR server.

---

<b>8.1 Introduction</b> .....	<b>120</b>
<b>8.2 Main Setup</b> .....	<b>122</b>
<b>8.3 Advanced Setup Configuration</b> .....	<b>124</b>
<b>8.4 BMC</b> .....	<b>151</b>
<b>8.5 Event Logs</b> .....	<b>155</b>
<b>8.6 Security</b> .....	<b>157</b>
<b>8.7 Boot</b> .....	<b>160</b>
<b>8.8 Save &amp; Exit</b> .....	<b>162</b>

## 8.1 Introduction

This chapter describes the AMIBIOS™ Setup utility for the motherboard. The BIOS is stored on a chip and can be easily upgraded using the UEFI script (flash.nsh), the BMC WebUI, or the SuperServer Automation Assistant (SAA) utility.

**Note:** Due to periodic changes to the BIOS, some settings may have been added or deleted and might not yet be recorded in this manual. Refer to the Manual Download area of our website for any changes to BIOS that may not be reflected in this manual.

### Updating BIOS

It is recommended that you do not upgrade your BIOS if you are not experiencing any problems with your system. Updated BIOS files are located on our website at the following page:

[https://www.supermicro.com/support/resources/bios\\_ipmi.php](https://www.supermicro.com/support/resources/bios_ipmi.php)

Check our BIOS warning message and the information on how to update your BIOS on our website. Select your motherboard model and download the BIOS file to your computer. Also, check the current BIOS revision to make sure that it is newer than your BIOS before downloading.

**Important:** Do not shut down or reset the system while updating the BIOS to prevent possible system boot failure! Read the motherboard README file carefully before you perform the BIOS update.

To update the BIOS under the UEFI Shell, unzip the BIOS file onto a bootable USB device and then boot into the built-in UEFI Shell. For motherboards with BMC support, type "flash.nsh <BIOS filename><BMC Username><BMC Password>" to start the BIOS update. The flash.nsh script will invoke the SAA (EFI) tool automatically to perform the BIOS update, beginning with uploading the BIOS image to BMC. After uploading the BIOS image, the system will reboot to continue the process. The BMC will take over and continue the BIOS update in the background. The process will take 3–5 minutes. Refer to the README file for more information.

### Starting the Setup Utility

To enter the BIOS Setup utility, press the <Delete> key while the system is booting-up. In most cases, the <Delete> key is used to invoke the BIOS Setup screen. There are a few cases when other hot keys are used, such as <F1>, <F2>, etc. Each main BIOS menu option is described in this manual.

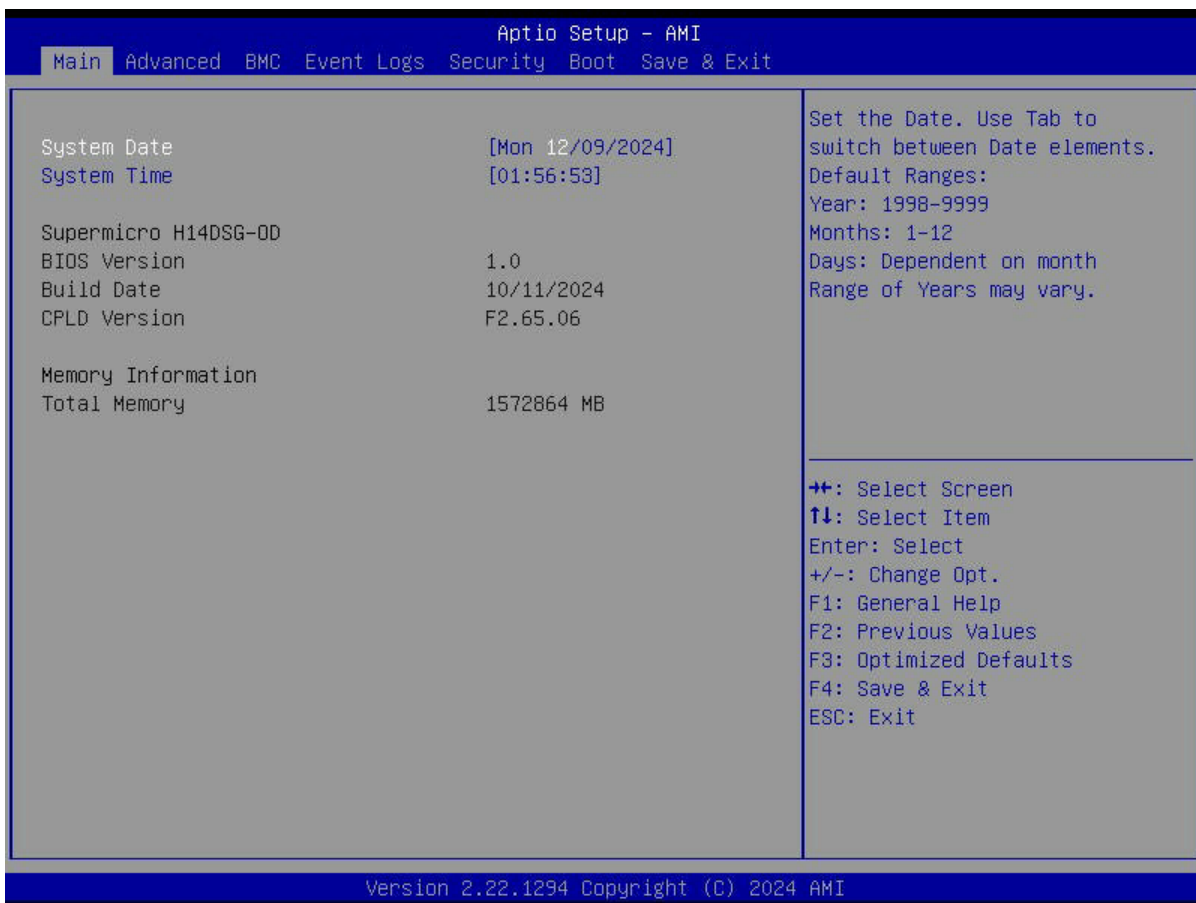
The Main BIOS screen has two main frames. The left frame displays all the options that can be configured. "Grayed-out" options cannot be configured. The right frame displays the key legend. Above the key legend is an area reserved for a text message. When a BIOS submenu or item is selected in the left frame, it is highlighted in white. Often a text message will accompany it. (Note that BIOS has default text messages built in. We retain the option to include, omit, or change any of these text messages.) Settings printed in **Bold** are the default values.

A "▶" indicates a submenu. Highlighting such an item and pressing the <Enter> key open the list of settings within that submenu.

The BIOS Setup utility uses a key-based navigation system called hot keys. Most of these hot keys (<F1>, <F2>, <F3>, <F4>, <F5>, <F6>, <Enter>, <ESC>, the arrow keys, etc.) can be used at any time during the setup navigation process.

## 8.2 Main Setup

The Main setup screen appears when the AMI BIOS Setup utility is first entered. To return to the Main setup screen, select the Main tab at the top of the screen. The Main BIOS setup screen is shown below.



**Figure 8-1. UEFI BIOS Main Screen Tab**

### System Date/System Time

Use the two features to change the system date and time. Highlight **System Date** or **System Time** using the arrow keys. Enter new values using the keyboard. Press the <Tab> key or the arrow keys to move between fields. The date must be entered in MM/DD/YYYY format. The time is entered in HH:MM:SS format.

**Note:** The time is in the 24-hour format. For example, 5:30 P.M. appears as 17:30:00.

### Supermicro H14DSG-OD

#### BIOS Version

This feature displays the version of the BIOS ROM used in the system.

### **Build Date**

This feature displays the date when the version of the BIOS ROM used in the system was built.

### **CPLD Version**

This feature displays the version of the Complex-Programmable Logical Device (CPLD) used in the system.

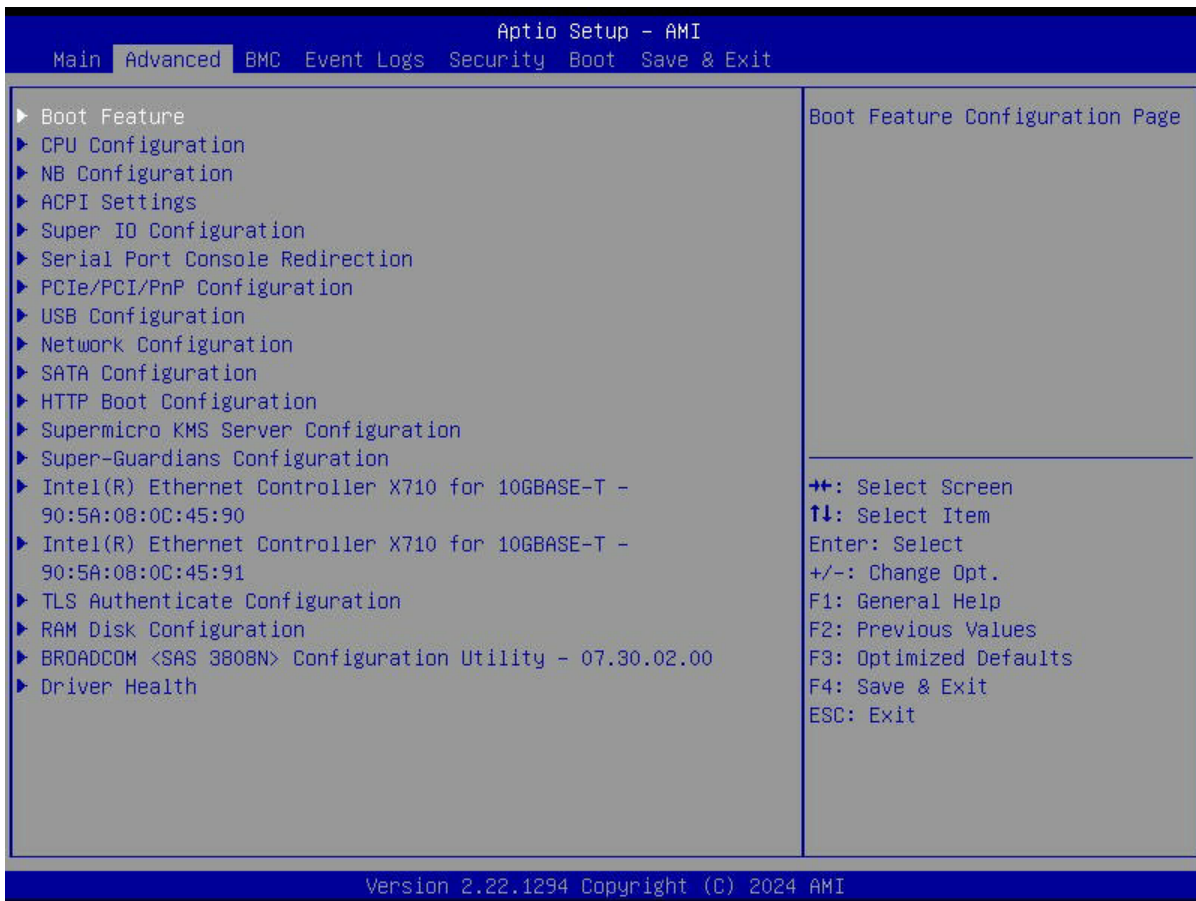
### **Memory Information**

#### **Total Memory**

This feature displays the total size of memory available in the system.

## 8.3 Advanced Setup Configuration

Use the arrow keys to select the Advanced submenu and press <Enter> to access the submenu items.



**Figure 8-2. Advanced Setup Configuration Screen Tab**

**Important:** Use caution when changing the Advanced settings. An incorrect value, an improper DRAM frequency, or a wrong BIOS timing setting may cause the system to malfunction. When this occurs, revert the settings to the default manufacturing settings.

### Boot Feature

#### ► Boot Configuration

##### Quiet Boot

Use this feature to select the screen between displaying the Power-on Self Test (POST) messages or the OEM logo upon bootup. Select Disabled to display the POST messages. Select Enabled to display the OEM logo instead of the normal POST messages. The options

are Disabled and **Enabled**.

**Note:** BIOS POST messages are always displayed regardless of the setting of this feature.

### **Option ROM Messages**

Use this feature to set the display mode for the Option ROM. Select Keep Current to display the current AddOn ROM display settings. Select Force BIOS to use the Option ROM display mode set by the system BIOS. The options are **Force BIOS** and Keep Current.

### **Bootup NumLock State**

Use this feature to set the Power-on state <NumLock> key. The options are **On** and Off.

### **Wait For "F1" If Error**

Select Enabled to force the system to wait until the <F1> key is pressed if an error occurs. The options are Disabled and **Enabled**.

### **INT19 Trap Response**

Interrupt 19 is the software interrupt that handles the boot disk function. When this feature is set to Immediate, the ROM BIOS of the host adaptors will "capture" Interrupt 19 at bootup immediately and allow the drives that are attached to these host adaptors to function as bootable disks. If this feature is set to Postponed, the ROM BIOS of the host adaptors will not capture Interrupt 19 immediately to allow the drives attached to these adaptors to function as bootable devices at bootup. The options are **Immediate** and Postponed.

### **Re-try Boot**

If this feature is set to Enabled, the system BIOS will automatically reboot the system from an Extensible Firmware Interface (EFI) boot device after an initial boot failure. The options are **Disabled**, Legacy Boot, and EFI Boot.

### **Power Configuration**

#### **Watch Dog Function**

Select Enabled to allow the Watch Dog timer to reboot the system when it is inactive for more than five minutes. The options are **Disabled** and Enabled.

#### **Restore on AC Power Loss**

Use this feature to set the power state after a power outage. Select Stay Off for the system power to remain off after a power loss. Select Power On for the system power to be turned on after a power loss. Select Last State to allow the system to resume its last power state before a power loss. The options are Stay off, Power On, and **Last State**.

## Power Button Function

This feature controls how the system shuts down when the power button is pressed. Select 4 Seconds Override to power off the system after pressing and holding the power button for four seconds or longer. Select Instant Off to instantly power off the system as soon as you press the power button. The options are **Instant Off** and 4 Seconds Override.

## CPU Configuration

### CPU Configuration

#### Workload Profile

This function allows configuring the BIOS settings to match the selected workload. The options are **Disabled**, HPC, I/O, Virtualization, Telco NFVI, Telco NFVI-FP, and Telco FlexRAN.

#### SMT Control

This setting controls whether symmetric multithreading (SMT) is enabled. To activate SMT after disabling it, it is required to restart the computer. To use the default setting, set to Auto. The options are Disabled, Enabled, and **Auto**.

#### Core Performance Boost

This setting control whether the CPU's Core Performance Boost feature is enabled. This feature can help improve performance in certain situations. The options are Disabled and **Auto**.

#### Global C-state Control

This setting manages power-saving states (C-states) for input-output devices and deep sleep (DF) states. The options are Disabled, Enabled, and **Auto**.

#### ACPI CST C2 Latency

This setting sets the latency for C2 state transitions in microseconds, increasing this value reduces the frequency of C2 transitions and the time spent in C2 state. The default value is **100**.

#### PPIN Opt-in

Select Unlock/Enabled to use the Protected Processor Inventory Number (PPIN) in the system. The PPIN is a unique number set for tracking a given Intel Xeon server processor. The options are Disabled, Enabled, and **Auto**.

#### SMEE

This setting controls Secure Memory Encryption (SME) for the system. The options are Disabled, Enabled, and **Auto**.

**Fast Short REP MOVSB (FSRM)**

This setting controls whether a specific memory copy instruction (REP MOVSB) is optimized for speed. The options are **Auto**, Enabled, and Disabled.

**Enhanced REP MOVSB/STOSB (ERSM)**

This setting optimizes CPU string operations. Disabling ERSM (setting it to 0) can be useful for performance analysis if supported by the operating system. The options are Disabled, Enabled, and **Auto**.

**AVX512**

This setting enables or disables AVX-512 (Advanced Vector Extensions 512), which is used for high-performance computing tasks. The options are **Auto**, Enabled, and Disabled.

**Monitor and MWAIT Disable**

This setting controls the availability of the MONITOR, MWAIT, MONITORX, and MWAITX opcodes, which are used for power management and synchronization. The options are Enabled, Disabled, and **Auto**.

**L1 Stream HW Prefetcher**

This setting is used to enable or disable the L1 Stream Hardware Prefetcher. The options are Disabled, Enabled, and **Auto**.

**L2 Stream HW Prefetcher**

This setting is used to enable or disable the L2 Stream Hardware Prefetcher. The options are Disabled, Enabled, and **Auto**.

**CCD Control**

This setting allows you to control the number of Core Complex Dies (CCDs) active in the CPU to optimize performance and power usage. The options are **Auto**, 2 CCDs, 4 CCDs, 6 CCDs, 8 CCDs, and 10 CCDs.

**Core Control**

This sets the number of cores to be used by your system. Once this option has been used to remove any cores, a power cycle is required in order for the future selections to take effect. The options are **Auto**, ONE (1+0), TWO (2+0), THREE (3+0), FOUR (4+0), FIVE (5 +0), SIX (6+0), SEVEN (7+0), Two (1+1), FOUR (2+2), SIX (3+3), EIGHT (4+4), TEN (5+5), TWELVE (6+6), and FOURTEEN (7+7).

**SVM Mode**

This setting enables or disables CPU Virtualization. The options are Disabled and **Enabled**.

## ► CPU1 Information

### CPU Configuration

These sections are for informational purposes. They will display some details about the detected CPUs on the motherboard, such as:

- CPU Version
- Number of Cores Running
- Processor Family
- Processor Model
- Microcode Patch Level
- L1 Instruction Cache (Size/Method)
- L1 Data Cache (Size/Method)
- L2 Cache (Size/Method)
- L3 Cache per Socket (Size/Method)

### CPU1 PCIe Package Group P2

This setting selects the PCIe port bifurcation configuration for the selected slot. The options are **Auto**, x4x4x4x4, x4x4x8, x8x4x4, x8x8, and x16.

### CPU1 PCIe Package Group G2

This setting selects the PCIe port bifurcation configuration for the selected slot. The options are **Auto**, x4x4x4x4, x4x4x8, x8x4x4, x8x8, and x16.

### CPU1 PCIe Package Group P3

This setting selects the PCIe port bifurcation configuration for the selected slot. The options are **Auto**, x4x4x4x4, x4x4x8, x8x4x4, x8x8, and x16.

### CPU1 PCIe Package Group G3

This setting selects the PCIe port bifurcation configuration for the selected slot. The options are **Auto**, x4x4x4x4, x4x4x8, x8x4x4, x8x8, x16, and SATA.

### CPU1 PCIe Package Group P1

This setting selects the PCIe port bifurcation configuration for the selected slot. The options are **Auto**, x4x4x4x4, x4x4x8, x8x4x4, x8x8, and x16.

### CPU1 PCIe Package Group G1

This setting selects the PCIe port bifurcation configuration for the selected slot. The options are **Auto**, x4x4x4x4, x4x4x8, x8x4x4, x8x8, and x16.

### CPU1 PCIe Package Group P0

This setting selects the PCIe port bifurcation configuration for the selected slot. The options are **Auto**, x4x4x4x4, x4x4x8, x8x4x4, x8x8, x16, and SATA.

### CPU1 PCIe Package Group 01

This setting selects the PCIe port bifurcation configuration for the selected slot. The options are **Auto**, x4x4x4x4, x4x4x8, x8x4x4, x8x8, and x16.

## ► CPU2 Information

These sections are for informational purposes. They will display some details about the detected CPUs on the motherboard, such as:

- CPU Version
- Number of Cores Running
- Processor Family
- Processor Model
- Microcode Patch Level
- L1 Instruction Cache (Size/Method)
- L1 Data Cache (Size/Method)
- L2 Cache (Size/Method)
- L3 Cache per Socket (Size/Method)

### CPU2 PCIe Package Group P2

This setting selects the PCIe port bifurcation configuration for the selected slot. The options are **Auto**, x4x4x4x4, x4x4x8, x8x4x4, x8x8, and x16.

### CPU2 PCIe Package Group G2

This setting selects the PCIe port bifurcation configuration for the selected slot. The options are **Auto**, x4x4x4x4, x4x4x8, x8x4x4, x8x8, and x16.

### CPU2 PCIe Package Group P3

This setting selects the PCIe port bifurcation configuration for the selected slot. The options are **Auto**, x4x4x4x4, x4x4x8, x8x4x4, x8x8, and x16.

### CPU2 PCIe Package Group P3

This setting selects the PCIe port bifurcation configuration for the selected slot. The options are **Auto**, x4x4x4x4, x4x4x8, x8x4x4, x8x8, x16, and SATA.

**CPU2 PCIe Package Group P1**

This setting selects the PCIe port bifurcation configuration for the selected slot. The options are **Auto**, x4x4x4x4, x4x4x8, x8x4x4, x8x8, and x16.

**CPU2 PCIe Package Group G1**

This setting selects the PCIe port bifurcation configuration for the selected slot. The options are **Auto**, x4x4x4x4, x4x4x8, x8x4x4, x8x8, and x16.

**CPU2 PCIe Package Group P0**

This setting selects the PCIe port bifurcation configuration for the selected slot. The options are **Auto**, x4x4x4x4, x4x4x8, x8x4x4, x8x8, x16, and SATA.

**CPU2 PCIe Package Group G0**

This setting selects the PCIe port bifurcation configuration for the selected slot. The options are **Auto**, x4x4x4x4, x4x4x8, x8x4x4, x8x8, and x16.

## NB Configuration

**North Bridge Configuration****IOMMU**

Use this setting to enable or disable IOMMU. The options are Disabled, Enabled, and **Auto**.

**DMAr Support**

Use this setting to enable DMAr system protection during POST (Power-On Self-Test). The options are Disabled, Enabled, and **Auto**.

**DRTM Virtual Device Support**

This enables or disables the DRTM ACPI Virtual device. The options are Disabled, Enabled, and **Auto**.

**DRTM Memory Reservation**

Reserve 128 MB memory below Bottom IO for DRTM. It is required to be enabled for Secured-Core Server function. The options are Disabled, Enabled, and **Auto**.

**ACS Enable**

This setting enables Access Control Service (ACS) functionality, which requires AER to be active. The options are Enabled, Disabled, and **Auto**.

**TDP Control**

Use this setting to set the processor's power consumption (TDP). The options are Manual and **Auto**.

**Package Power Limit Control**

Use Auto to apply the default power limit (PPT) or Manual to set a custom PPT. The options are Manual and **Auto**.

**Determinism Control**

Use this setting to configure the level of performance determinism. The options are Manual and **Auto**.

**APBDIS**

Use this setting to control the APBDIS feature. A value of 0 indicates "not APBDIS" (mission mode). The options are 0, 1, and **Auto**.

**Power Profile Selection**

Use this setting to select a power profile to optimize performance or efficiency. The options are **High Performance Mode**, Efficiency Mode, Maximum IO Performance Mode, Balanced Memory Performance Mode, Balanced Core Performance Mode, Balanced Core Memory Performance Mode, and Auto.

**DF Cstates**

This setting controls the power-saving states of the data fabric. The options are Disabled, Enabled, and **Auto**.

**Data Link Feature Cap**

This setting controls the activation of advanced data link features for PCIe devices, which can improve link performance and reliability. The options are Enabled, Disabled, and **Auto**.

**SEV-SNP Support**

This setting controls the activation of Secure Encrypted Virtualization - Secure Nested Paging (SEV-SNP) security features. The options are Disabled, Enabled, and **Auto**.

**Periodic Training Mode**

This setting controls the method for managing power-saving states. The options are Disabled and **Legacy**.

**EQ Bypass To Highest Rate**

This setting determines whether the system can bypass equalization steps at lower data rates and directly attempt equalization at the highest supported rate during the link setup process. The options are Disable, Enable, and **Auto**.

**CXL Memory Attribute**

This setting determines the memory type for CXL devices. The options are Enabled, Disabled, **Auto**,

## Sync Header Bypass

This setting controls the inclusion of synchronization headers in data transmissions. The options are Enabled, Disabled, and **Auto**.

### ► xGMI Configuration

#### xGMI Link Width Control

This setting controls the number of lanes used for the xGMI interface. When the setting is set to **Manual**, the "xGMI Force Link Width Control" and "xGMI Max Link Width Control" items becomes available. The options are Manual and **Auto**.

#### xGMI Link Max Speed

This setting controls the maximum speed of the xGMI link. The options are 10.667 Gbps, 11 Gbps, 12 Gbps, 13 Gbps, 14 Gbps, 15 Gbps, 16 Gbps, 17 Gbps, 18 Gbps, 19 Gbps, 20 Gbps, 21 Gbps, 22 Gbps, and **Auto**.

### ► Memory Configuration

#### Memory Target Speed

Use this setting to specify the memory target speed in MT/s. The options are **Auto**, DDR3600, DDR4000, DDR4400, DDR4800, DDR5200, DDR5600, DDR6000, and DDR6400.

#### Memory Interleaving

This setting controls fabric level memory interleaving. Note that the channel, die and socket have requirements on memory populations and it will be ignored if the memory doesn't support the selected option. The options are Disabled, **Auto**, and Enabled.

#### Chipselect Interleaving

This setting allows memory blocks to be interleaved across the DRAM chip selects for node 0, which can enhance memory performance. The options are Disabled and **Auto**.

#### BankSwapMode

This setting determines the operation of memory banks in relation to CPU usage. The options are **Auto**, Disabled, and Swap CPU.

#### Power Down Enable

Use this setting to enable or disable DDR power down mode. The options are Disabled, Enabled, and **Auto**.

### **DRAM Scrub Time**

This setting specifies the frequency of memory scrubbing, which helps maintain data integrity by refreshing memory contents. The options are Disabled, 1 hour, 4 hours, 6 hours, 8 hours, 12 hours, 16 hours, **24 hours**, and 48 hours.

### **TSME**

This setting controls the Transparent Secure Memory Encryption feature. The options are Enabled, Disabled, and **Auto**.

### **Enhanced PPR**

Use this setting to enable a full memory test during system setup. While this thorough testing can enhance system stability, it will also increase the overall boot time. The options are **Disabled** and Enabled.

#### **► CPU1 Memory Information**

### **CPU1 Memory Information**

These sections are for informational purposes. They will display some details about the detected memory according to each CPU on the motherboard, such as:

- Detected Size (per slot, in MB)
- Current Speed (MT/s)

#### **► CPU2 Memory Information**

### **CPU2 Memory Information**

These sections are for informational purposes. They will display some details about the detected memory according to each CPU on the motherboard, such as:

- Detected Size (per slot, in MB)
- Current Speed (MT/s)

## **ACPI Settings**

### **ACPI Settings**

#### **High Precision Event Timer**

The High Precision Even Timber (HPET) is a hardware timer that provides high-resolution time stamps and periodic interrupts, used by the operating system for various timing-related tasks. The options are Disabled and **Enabled**.

## PCI AER Support

This setting controls the Advanced Error Reporting (AER) capability for PCIe devices in the system. The options are Enabled and **Disabled**.

## NUMA Nodes Per Socket

Use this setting to specify the number of desired NUMA (Non-Uniform Memory Access) nodes per socket. Zero will attempt to interleave the two sockets together. The options are NPS0, NPS1, NPS2, NPS4, and **Auto**.

## ACPI SRAT L3 Cache As NUMA Domain

This setting determines how the system's NUMA (Non-Uniform Memory Access) domains are defined in relation to the L3 cache. The options are Disabled, Enabled, and **Auto**.

# Super IO Configuration Menu

## ► Super IO Configuration

**Note:** This submenu is available when your system supports this feature.

The following information is displayed.

- Super IO Chip

## ***Serial Port 1 Configuration Menu***

### ► Serial Port 1 Configuration

#### Serial Port 1

Select Enabled to enable serial port 1. The options are Disabled and **Enabled**.

#### **Device Settings (Available when "Serial Port 1" above is set to Enabled)**

This feature displays the base I/O port address and the Interrupt Request address of serial port 1.

#### **Change Settings (Available when "Serial Port 1" above is set to Enabled)**

Use this feature to specify the base I/O port address and the Interrupt Request address of serial port 1. Select Auto for the BIOS to automatically assign the base I/O and IRQ address to serial port 1. The options are **Auto**, (IO=3F8h; IRQ=4;), (IO=3F8h; IRQ=3,4,5,6,7,9,10,11,12;), (IO=2F8h; IRQ=3,4,5,6,7,9,10,11,12;), (IO=3E8h; IRQ=3,4,5,6,7,9,10,11,12;), and (IO=2E8h; IRQ=3,4,5,6,7,9,10,11,12;).

## Serial Port 2 Configuration Menu

### ► Serial Port 2 Configuration

**Note:** It can be "Serial Port 2 Configuration" or "SOL Configuration" based on your system support.

#### Serial Port 2/SOL ("Serial Port 2" or "SOL" based on your system support)

Select Enabled to enable serial port 2 (or SOL). The options are Disabled and **Enabled**.

#### Device Settings (Available when "Serial Port 2/SOL" above is set to Enabled)

This feature displays the base I/O port address and the Interrupt Request address of serial port 2 (or SOL).

#### Change Settings (Available when "Serial Port 2/SOL" above is set to Enabled)

Use this feature to specify the base I/O port address and the Interrupt Request address of serial port 2 (or SOL). Select Auto for the BIOS to automatically assign the base I/O and IRQ address to serial port 2 (or SOL). The options are **Auto**, (IO=2F8h; IRQ=3;), (IO=3F8h; IRQ=3,4,5,6,7,9,10,11,12;), (IO=2F8h; IRQ=3,4,5,6,7,9,10,11,12;), (IO=3E8h; IRQ=3,4,5,6,7,9,10,11,12;), and (IO=2E8h; IRQ=3,4,5,6,7,9,10,11,12;).

#### Serial Port 2 Attribute (Available for Serial Port 2 only)

Select SOL to use serial port 2 as a Serial Over LAN (SOL) port for console redirection. The options are **SOL** and COM.

## Serial Port Console Redirection Menu

### COM1 (Available when your system supports the serial port of COM1)

#### Console Redirection

Select Enabled to enable COM port 1 for Console Redirection, which allows a client machine to be connected to a host machine at a remote site for networking. The options are **Disabled** and Enabled.

**Note:** This feature will be set to Enabled if there is no BMC support.

### ► Console Redirection Settings

**Note:** This submenu is available when "Console Redirection" for COM1 or SOL/COM2 is set to Enabled.

### Terminal Type

Use this feature to select the target terminal emulation type for Console Redirection. Select VT100 to use the ASCII character set. Select VT100+ to add color and function key support. Select ANSI to use the extended ASCII character set. Select VT-UTF8 to use UTF8 encoding to map Unicode characters into one or more bytes. The options are VT100, **VT100+**, VT-UTF8, and ANSI.

### Bits Per Second

Use this feature to set the transmission speed for a serial port used in Console Redirection. Make sure that the same speed is used in the host computer and the client computer. A lower transmission speed may be required for long and busy lines. The options are 9600, 19200, 38400, 57600, and **115200** (bits per second).

### Data Bits

Use this feature to set the data transmission size for Console Redirection. The options are 7 and **8** (bits).

### Parity

A parity bit can be sent along with regular data bits to detect data transmission errors. Select Even if the parity bit is set to 0, and the number of 1's in data bits is even. Select Odd if the parity bit is set to 0, and the number of 1's in data bits is odd. Select None if you do not want to send a parity bit with your data bits in transmission. Select Mark to add a mark as a parity bit to be sent along with the data bits. Select Space to add a Space as a parity bit to be sent with your data bits. The options are **None**, Even, Odd, Mark, and Space.

### Stop Bits

A stop bit indicates the end of a serial data packet. Select 1 Stop Bit for standard serial data communication. Select 2 Stop Bits if slower devices are used. The options are **1** and 2.

### Flow Control

Use this feature to set the flow control for Console Redirection to prevent data loss caused by buffer overflow. Send a "Stop" signal to stop sending data when the receiving buffer is full. Send a "Start" signal to start sending data when the receiving buffer is empty. The options are **None** and Hardware RTS/CTS.

### VT-UTF8 Combo Key Support

Select Enabled to enable VT-UTF8 Combination Key support for ANSI/VT100 terminals. The options are Disabled and **Enabled**.

### Recorder Mode

Select Enabled to capture the data displayed on a terminal and send it as text messages to a remote server. The options are **Disabled** and Enabled.

**Resolution 100x31**

Select Enabled for extended-terminal resolution support. The options are Disabled and **Enabled**.

**Putty KeyPad**

This feature selects Function Keys and KeyPad settings for Putty, which is a terminal emulator designed for the Windows OS. The options are **VT100**, LINUX, XTERMR6, SCO, ESCN, and VT400.

**► Legacy Console Redirection Settings****Legacy Serial Redirection Port**

Select a COM port to display redirection of legacy os and legacy oprom messages. The options are **COM1** and SOL.

**Resolution**

On legacy os, the number of rows and columns supported redirection. The options are 80x24 and **80x25**.

**Redirection After BIOS Post**

When bootloader is selected, then legacy console redirection is disabled before booting to legacy OS. When always is select, then legacy console redirection is enabled ofr legacy os.. The options are **Always Enable** and BootLoader.

**Console Redirection EMS**

Select Enabled to use the SOL port for Console Redirection. The options are **Disabled** and Enabled.

**PCIe/PCI/PnP Configuration Menu****Above 4G Decoding**

This setting enables 64-bit PCI device access to memory beyond 4 GB for improved memory utilization and performance. The options are Disabled and **Enabled**.

**Re-Size BAR Support**

This setting enables or disables the Re-Size Base Address Register feature for compatible PCIe devices, which allows the system to allocate more memory to the device. The options are **Disabled** and Enabled.

**SR-IOV Support**

This setting enables or disables Single Root I/O Virtualization support for the system's PCIe devices. The options are **Disabled** and Enabled.

**BME DMA Mitigation**

This setting enables or disables Bus Mastering Error (BME) Direct Memory Access (DMA) mitigation for protection during the pre-boot process. The options are **Disabled** and **Enabled**.

**PCIe ARI Support**

This setting enables alternative routing- ID interpretation. The options are **Disabled**, **Enabled**, and **Auto**.

**PCIe ARI Enumeration**

This setting controls the forwarding of Alternate Routing-ID Interpretation (ARI) information for each downstream port, which is essential for device identification in PCIe systems. The options are **Disabled**, **Enabled**, and **Auto**.

**Relaxed Ordering**

This setting determines whether PCI Express devices are permitted to bypass strict transaction ordering, which can lead to potential performance improvements. The options are **Disabled** and **Enabled**.

**Clock Spread Spectrum**

This setting allows the BIOS to monitor and reduce the level of Electromagnetic Interference (EMI) generated by system components. The options are **Disabled** and **Enabled**.

**No Snoop**

This setting configures the No Snoop option for PCI Express devices, determining whether memory accesses bypass the cache. The options are **Disabled** and **Enabled**.

**VGA Priority**

This setting allows you to choose the primary video output source for the system. The options are **Onboard** and **External**.

**PCIe Ten Bit Tag Support**

This setting enables the use of ten-bit tags for PCIe devices, which can improve data handling and management. The options are **Disabled**, **Enabled**, and **Auto**.

**NVMe Firmware Source**

This setting determines the source of firmware for NVMe devices, allowing you to select between native support or vendor-specific firmware. The options are **Vendor Defined Firmware** and **AMI Native Support**.

**PCI Devices Option ROM Setting**

**CPU SLOT3-10 PCIe 5.0 x16 OPROM**

This setting enables or disables the Option ROM for the SLOT3 PCIe 5.0 x16 interface. The options are Disabled and **EFI**.

**M.2-C1 OPROM**

This setting enables or disables the Option ROM for the M.2-C1 slot. The options are Disabled and **EFI**.

**M.2-C2 OPROM**

This setting enables or disables the Option ROM for the M.2-C2 slot. The options are Disabled and **EFI**.

**Onboard Video Option ROM**

This setting selects the type of firmware to be loaded for onboard video. The options are Disabled and **EFI**.

**AOM-PTG-I2T OPROM**

This setting allows you to select the firmware function to be loaded for the onboard LAN1 interface. The options are Disabled and **EFI**.

## USB Configuration

USB Configuration

USB Module Version 29

USB Controllers: 3 XHCIs

USB Devices: 1 Keyboard, 1 Mouse, 1 Hub

**XHCI Hand-off**

This setting provides a workaround for operating systems that do not support XHCI hand-off. The XHCI ownership change must be claimed by the XHCI driver. The options are Enabled and **Disabled**.

**Legacy USB Support**

Select Enabled to support onboard legacy USB devices. Select Auto to disable legacy support if there are no legacy USB devices present. Select Disabled to have all USB devices available for EFI applications only. The options are **Enabled**, Disabled, and Auto.

## Network Configuration Menu

### Network Stack

Select Enabled to enable Preboot Execution Environment (PXE) or Unified Extensible Firmware Interface (UEFI) for network stack support. The options are Disabled and **Enabled**.

### IPv4 PXE Support (Available when "Network Stack" is set to Enabled)

Select Enabled to enable IPv4 PXE boot support. If this feature is disabled, it will not create the IPv4 PXE boot option. The options are Disabled and **Enabled**.

### IPv4 HTTP Support (Available when "Network Stack" is set to Enabled)

Select Enabled to enable IPv4 HTTP boot support. If this feature is disabled, it will not create the IPv4 HTTP boot option. The options are **Disabled** and Enabled.

### IPv6 PXE Support (Available when "Network Stack" is set to Enabled)

Select Enabled to enable IPv6 PXE boot support. If this feature is disabled, it will not create the IPv6 PXE boot option. The options are Disabled and **Enabled**.

### IPv6 HTTP Support (Available when "Network Stack" is set to Enabled)

Select Enabled to enable IPv6 HTTP boot support. If this feature is disabled, it will not create the IPv6 HTTP boot option. The options are **Disabled** and Enabled.

### PXE Boot Wait Time (Available when "Network Stack" is set to Enabled)

Use this feature to set the wait time (in seconds) upon which the system BIOS will wait for you to press the <ESC> key to abort PXE boot instead of proceeding with PXE boot by connecting to a network server immediately. Press the <+> or <-> key on your keyboard to change the value. The default setting is **0**.

### Media Detect Count (Available when "Network Stack" is set to Enabled)

Use this feature to set the wait time (in seconds) for the BIOS ROM to detect the presence of a LAN media either via the Internet connection or via a LAN port. Press the <+> or <-> key on your keyboard to change the value. The default setting is **1**.

### ► IPv6 Network Configuration

### ► Enter Configuration Menu

Interface Name

Interface Type

MAC address

Host addresses

Route Table

Gateway addresses

DNS addresses

Interface ID

### **DAD Transmit Count**

The number of consecutive Neighbor Solicitation messages sent while performing Duplicate Address Detection on a tentative address. A value of zero indicates that Duplicate Address Detection is not performed. The default value is **1**.

### **Policy**

Use this feature to select how the policy is to be configured. The options are **Automatic** and **Manual**.

### **Save Changes and Exit**

The options are **Yes** and **No**.

## **► IPv4 Network Configuration**

### **► Configured (Available when set Enabled)**

#### **Enable DHCP**

The options are **Disabled** and **Enabled**.

#### **Local IP Address**

Enter IP address in dotted-decimal notation. Example: 192.168.10.12

#### **Local NetMask**

Enter NetMask in dotted-decimal notation. Example: 255.255.255.0

#### **Local Gateway**

Enter Gateway in dotted-decimal notation. Example: 192.168.10.1

#### **Local DNS Servers**

Enter DNS Servers in dotted-decimal notation. Example: 192.168.10.8

### **Save Changes and Exit**

The options are **Yes** and **No**.

## SATA Configuration Menu

### ASMedia SATA Configuration

#### ▶ ASMedia SATA Controller

##### Hot-Plug

Enable or disable hot-plug support for SATA devices, allowing them to be connected or disconnected while the system is running. The options are **Disabled** and **Enabled**.

#### ▶ Serial ATA Controller 0 Settings

##### SATA Enable

The options are **Disabled**, **Enabled**, and **Auto**.

#### ▶ SATA Information

## HTTP Boot Configuration Menu

### HTTP Boot Configuration

#### HTTP Boot Policy

Use this feature to set the HTTP boot policy. The options are **Apply to all LANs**, **Apply to each LAN**, and **Boot Priority #1** instantly.

#### HTTP Boot Checks Hostname

Enable this feature for HTTPS boot to check the hostname of the TLS certificates to see if it matches the host name provided by the remote server. The options are **Enabled** and **Disabled** (WARNING: Security Risk!).

#### Priority of HTTP Boot

##### Instance of Priority 1: (Available when your motherboard supports this feature)

This feature sets the rank target port. The default setting is **1**.

#### Select IPv4 or IPv6

This feature specifies which connection the target LAN port should boot from. The options are **IPv4** and **IPv6**.

#### Boot Description

Use this feature to enter a boot description, which cannot be longer than 75 characters. Please be sure to enter a boot description; otherwise, the boot option for the URI cannot be created.

**Boot URI**

Enter a Boot Uniform Research Identifier (URI) with 128 characters or shorter. This Boot URI determines how IPv4 Boot Option and IPv6 Boot Option will be created. This feature is only supported on Dual or EFI Boot Mode.

**Supermicro KMS Server Configuration****Supermicro KMS Server IP address**

Use this feature to set the Supermicro Key Management Service (KMS) server IPv4 address in dotted-decimal notation.

**Second Supermicro KMS Server IP address**

Use this feature to set the second Supermicro KMS server IPv4 address in dotted-decimal notation.

**Supermicro KMS TCP Port number**

Use this feature to set the TCP port number used in Supermicro KMS Server. The valid range is 100–9999. The default setting is **5696**. Do not change the default setting unless a different TCP port number has been specified and used in the Supermicro KMS Server.

**KMS Time Out**

Use this feature to enter the KMS server connecting time-out (in seconds). The default setting is **5** (seconds).

**TimeZone**

Use this feature to set the correct time zone. The default setting is **0** (not specified).

**Client UserName**

Press <Enter> to set the client identity (UserName). The username can be between 0 and 63 characters in length.

**Client Password**

Press <Enter> to set the client identity (Password). The password can be between 0 and 31 characters in length.

**► CA Certificate**

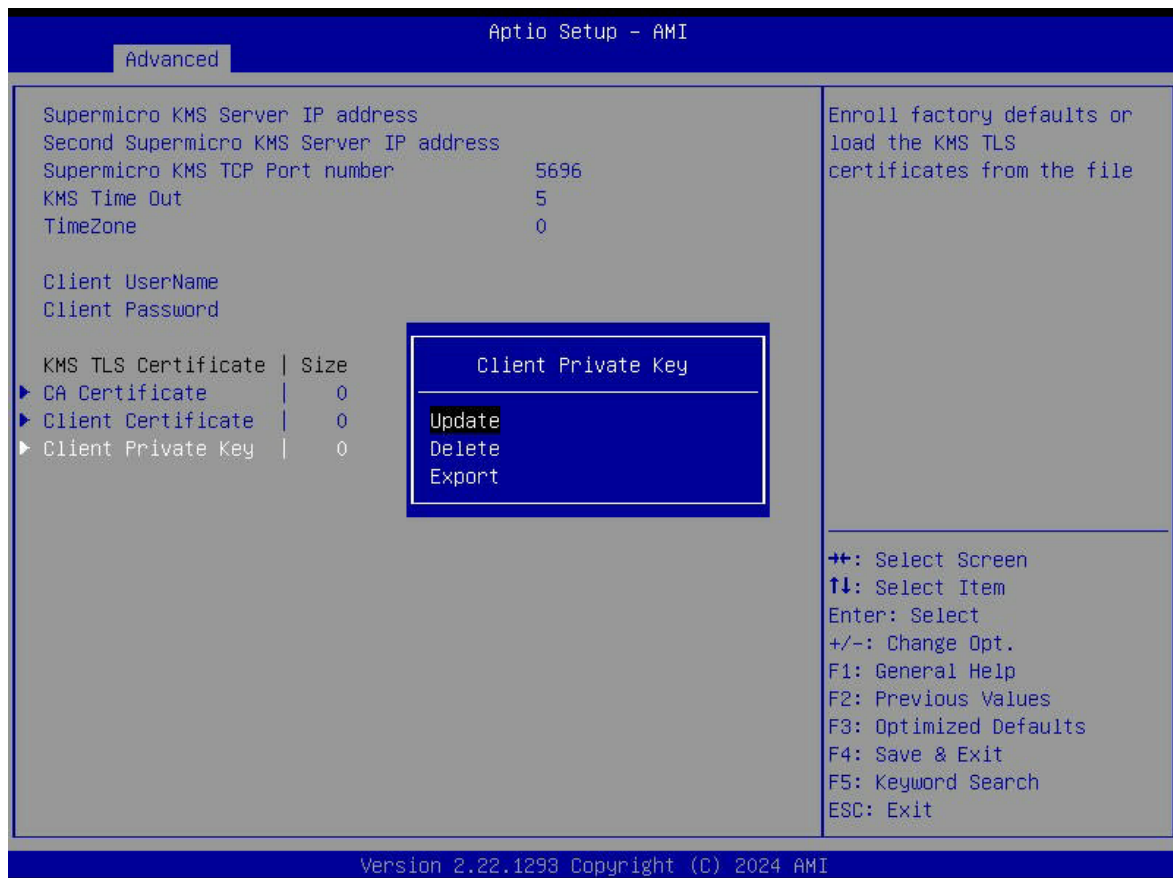
This setting provides options for managing the Certificate Authority (CA) certificate. The options are **Update**, Delete, and Export.

## ► Client Certificate

This setting provides options for managing the client certificate. The options are **Update**, **Delete**, and **Export**.

## ► Client Private Key

Use the three features to enroll factory defaults or load the KMS Transport Layer Security (TLS) certificates, which are generated by the KMS Server, from the file stored in the USB flash drive as shown below.



**Figure 8-3. Private Key Password (Available when "Client Private Key" above has been set)**

### Private Key Password (Available when "Client Private Key" above has been set)

Use this feature to change the password for the client private key.

## Super-Guardians Configuration

### Super-Guardians Protection Policy

Use this feature to enable the Super-Guardians Protection Policy. The options are **Storage**, **System**, and **System and Storage**. Set this feature to **Storage** to protect and have secure access to Trusted Computing Group (TCG) NVMe devices with the Authentication-Key (AK). Set this feature to **System** to protect and have secure access to your system/motherboard with the AK. Set this feature to **System and Storage** to protect and have secure access to your system/motherboard/storage devices with the AK.

### KMS Security Policy (Available when "TPM Security Policy" and "USB Security Policy" are set to Disabled)

Set this feature to **Enabled** to enable the KMS Security Policy. When this feature has not previously been set to **Enabled**, the options are **Disabled** and **Enabled**. Changes take effect after you save settings and reboot the system.

When this feature has previously been set to **Enabled**, the options are **Enabled**, **Reset**, and **Key Rotation**. Set this feature to **Key Rotation** to obtain an existing AK from the KMS server and create a new AK. To disable the KMS Security Policy, set this feature to **Reset**. When this feature is set to **Reset**, the system and TCG NVMe devices chosen in "Super-Guardians Protection Policy" will be in the unprotected mode.

#### Notes:

- Be sure that the KMS server is ready before configuring this feature.
- Use the professional KMS server solutions (e.g., Thales Server) or the Supermicro PyKMIP Software Package to establish the KMS server.

### KMS Server Retry Count (Available when "TPM Security Policy" and "USB Security Policy" are set to Disabled)

Use this feature to specify how many times the system will attempt reconnecting to the KMS server. The valid range is 0–10. Press the <+> or <-> key on your keyboard to change the value. The default setting is **5**. If the value is 0, the system will retry infinitely.

### TPM Security Policy (Available when "KMS Security Policy" and "USB Security Policy" are set to Disabled)

Set this feature to **Enabled** to enable the TPM Security Policy. When this feature has not previously been set to **Enabled**, the options are **Disabled** and **Enabled**. Changes take effect after you save settings and reboot the system.

When this feature has previously been set to Enabled, the options are **Enabled** and Reset. To disable the TPM Security Policy, set this feature to Reset. When this feature is set to reset, the system and TCG NVMe devices chosen in "Super-Guardians Protection Policy" will be in the unprotected mode.

**Note:** Be sure to install a TPM 2.0 device to your system before configuring this feature.

**Load Authentication-Key (Available when "KMS Security Policy," "TPM Security Policy," and "USB Security Policy" are set to Disabled)**

The options are **Disabled** and Enabled. Set this feature to Enabled. Changes take effect after you save settings and reboot the system. While booting, the BIOS will automatically load the Authentication-Key (filename: TPMAuth.bin) from the USB flash drive. Afterwards, the default setting will be set to Disabled by the BIOS.

**Notes:**

- Be sure to connect a USB flash drive with the Authentication-Key (filename: TPMAuth.bin) to your system before the system reboot.
- Be sure to save the Authentication-Key (filename: TPMAuth.bin) to the USB flash drive and have a backup. Please load the Authentication-Key (filename: TPMAuth.bin) after installing a TPM device. Otherwise, the TPM function can not work properly.

**Save Authentication-Key (Available when "TPM Security Policy" is set to Enabled)**

The options are **Disabled** and Enabled. Set this feature to Enabled. Changes take effect after you save settings and reboot the system. While booting, the BIOS will automatically save the Authentication-Key (filename: TPMAuth.bin) to the USB flash drive. Afterwards, the default setting will be set to Disabled by the BIOS.

**Note:** Be sure to connect a USB flash drive to your system before the system reboot.

**USB Security Policy (Available when "KMS Security Policy" and "TPM Security Policy" are set to Disabled)**

Use this feature to enable the USB Security Policy. The options are **Disabled** and Enabled. Set this feature to Enabled. Changes take effect after you save settings and reboot the system. Connect a USB flash drive to your system before the system reboot. While booting, the BIOS will automatically create the USB Authentication-Key (filename: USBAuth.bin) and save it to the USB flash drive.

When this feature has been previously set to Enabled, the options are **Enabled** and Reset. To disable the USB Security Policy, set this feature to Reset. When this feature is set to Reset, the system and TCG NVMe devices chosen in "Super-Guardians Protection Policy" will be in the unprotected mode.

**Note:** Be sure to connect a USB flash drive to your system before configuring this feature. Save the USB Authentication-Key (filename: USBAuth.bin) to the USB flash drive and keep a backup.

## TLS Authenticate Configuration

### ▶ Server CA Configuration

This feature allows you to configure the client certificate that is to be used by the server.

#### ▶ Enroll Certification

This feature allows you to enroll the certificate in the system.

#### ▶ Enroll Certification Using File

This feature allows you to enroll the security certificate in the system by using a file.

#### Certification GUID

Press <Enter> and input the certification Global Unique Identifier (GUID).

#### ▶ Commit Changes and Exit

Use this feature to save all changes and exit TLS settings.

#### ▶ Discard Changes and Exit

Use this feature to discard all changes and exit TLS settings.

#### ▶ Delete Certification

This feature is used to delete the certificate if a certificate has been enrolled in the system.

### ▶ Client Certification Configuration

## RAM Disk Configuration

### Disk Memory Type

This setting specifies the type of memory to use from the available memory pool in the system to create a disk. the options are **Boot Service Data** and Reserved.

#### Create raw

##### Size (Hex):

Set the size of the RAM disk. The valid size should be multiples of the RAM disk block size.

**Create & Exit** or **Discard & Exit**.

#### Create from file

##### Created RAM disk list:

This displays a list of the created RAM disks.

##### Created RAM disk list:

##### Remove selected RAM disk(s)

## BROADCOM Configuration Utility

### ▶ Main Menu

The menu options are as below:

### ▶ Configuration Management

Clear Configuration: **No**

### ▶ Controller Management

**Basic Properties:** Product Name/Controller Status/Personality Mode/Select Boot Device/PCI ID/PCI Segment/PCI Slot Number/Package Version/Firmware Version/NVDATA Version/Supported Device Interfaces/Drive Count/JBOD Count/Virtual Drive Count

### Advanced Controller Management

#### Advanced Controller Properties

### ▶ Virtual Drive Management

### ▶ Drive Management

### ▶ Hardware Components

### ▶ Help

The setting shows context sensitive help message.

**Properties:**

Status / Backplane / CacheVault / Enclosure / JBODs / Drive Groups / Virtual Drives

**▶ View Server Profile**

The setting shows the UEFI spec version that this system supports and menu options as below:

**Server:**

UEFI Spec Version

**▶ Controller Management****▶ Hardware Components****▶ Drive Management****▶ Virtual Drive Management****Actions:****▶ Configure**

The setting displays configuration options. Some options appear only if the controller supports them.

**▶ Set Factory Defaults**

The setting restores factory default values for all the controller properties.

**▶ Update Firmware**

The setting allows users to update the controller firmware to a newer version.

**▶ Manage MegaRAID Advanced Software Options**

The setting displays the activated Advanced Software Options on the controller and allows the user to configure the MegaRAID Advanced Software Options to use the advanced features.

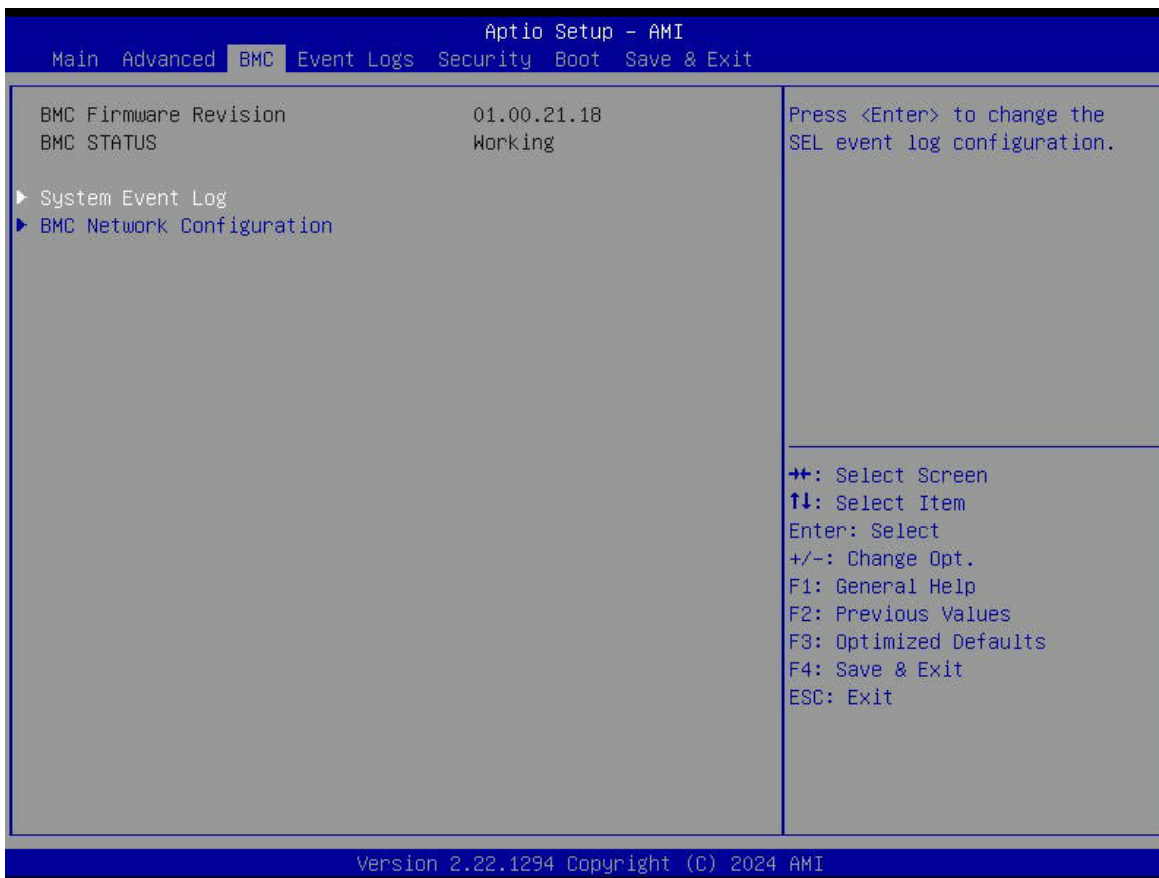
**Driver Health Menu****▶ Driver Health**

This feature displays the health information of the drivers installed in your system, including LAN controllers, as detected by the BIOS. Select one and press <Enter> to see the details.

**Note:** This section is provided for reference only, for the driver health status will differ depending on the drivers installed in your system. It's also based on your system configuration and the environment that your system is operating in.

## 8.4 BMC

Use this menu to configure Baseboard Management Console (BMC) settings.



**Figure 8-4. BMC Screen Tab**

### BMC Firmware Revision

This feature indicates the BMC firmware revision used in your system.

### BMC STATUS

This feature indicates the status of the BMC firmware installed in your system.

## System Event Log Menu

### ▶ System Event Log

**Note:** All values changed in this submenu do not take effect until computer is restarted.

## SEL Components

Select Enabled to enable all system event logging upon system boot. The options are Disabled and **Enabled**.

## Erasing Settings

### Erase SEL (Available when "SEL Components" is set to Enabled)

Select (Yes, On next reset) to erase all system event logs upon next system boot. Select (Yes, On every reset) to erase all system event logs upon each system reboot. Select No to keep all system event logs after each system reboot. The options are **No**, (Yes, On next reset), and (Yes, On every reset).

### When SEL is Full (Available when "SEL Components" is set to Enabled)

This feature defines what the BIOS should do when the system event log is full. Select Erase Immediately to erase all events in the log when the system event log is full. The options are **Do Nothing** and Erase Immediately.

## BMC Network Configuration Menu

### ► BMC Network Configuration

#### Update BMC LAN Configuration

Select Yes for the BIOS to implement all IP/MAC address changes upon next system boot. The options are **No** and Yes.

\*\*\*\*\*

#### Configure IPv4 Support

\*\*\*\*\*

#### BMC LAN Selection

This feature displays the type of the BMC LAN.

#### BMC Network Link Status:

This feature displays the status of the BMC network link for this system.

#### Configuration Address Source (Available when "Update BMC LAN Configuration" is set to Yes)

Use this feature to select the source of the IPv4 connection. If Static is selected, note the IP address of the IPv4 connection and enter it to the system manually in the field. If DHCP is selected, the BIOS will search for a Dynamic Host Configuration Protocol (DHCP) server in the network that is attached to and request the next available IP address for this computer. The options are Static and **DHCP**.

**Station IP Address**

This feature displays the Station IP address in decimal and in dotted quad form (i.e., 172.29.176.131). It is available for configuration when "Configuration Address Source" above is set to Static.

**Subnet Mask**

This feature displays the sub-network that this computer belongs to. It is available for configuration when "Configuration Address Source" above is set to Static.

**Station MAC Address**

This feature displays the Station MAC address for this computer. MAC addresses are six two-digit hexadecimal numbers.

**Gateway IP Address**

This feature displays the Gateway IP address for this computer. This should be in decimal and in dotted quad form (i.e., 172.29.0.1). It is available for configuration when "Configuration Address Source" above is set to Static.

\*\*\*\*\*

**Configure IPv6 Support**

\*\*\*\*\*

**IPv6 Address Status**

This feature displays the status of the IPv6 address.

**IPv6 Support (Available when "Update BMC LAN Configuration" is set to Yes)**

Use this feature to enable IPv6 support. The options are **Enabled** and Disabled.

**Configuration Address Source (Available when "IPv6 Support" is set to Enabled)**

Use this feature to select the source of the IPv6 connection. If Static Configuration is selected, note the IP address of IPv6 connection and enter it to the system manually in the field. If the other two options are selected, the BIOS will search for a DHCP server in the network that is attached to and request the next available IP address for this computer. The options are Static Configuration, **DHCPv6 Stateless**, and DHCPv6 Stateful.

**IPv6 Address ("Static," "DHCPv6 Stateless," or "DHCPv6 Stateful," depending on the option you selected for "Configuration Address Source" above)**

This feature displays the station IPv6 address.

**Prefix Length**

This feature displays the prefix length. It is available for configuration when "Configuration Address Source" above is set to Static Configuration.

**Gateway IP**

This feature displays the IPv6 gateway IP address. It is available for configuration when "Configuration Address Source" above is set to Static Configuration.

**Advanced Settings (Available when "Configuration Address Source" is set to DHCPv6 Stateless)**

Use this feature to set the DNS server IP. The default setting allows this system to obtain the DNS server IP automatically. The options are **Auto obtain DNS server IP** and Manually obtain DNS server IP.

**Preferred DNS server IP (Available when "Advanced Settings" above is set to Manually obtain DNS server IP)**

This feature displays the preferred DNS server IP. It can be configured via Redfish.

**Alternative DNS server IP (Available when "Advanced Settings" above is set to Manually obtain DNS server IP)**

This feature displays the alternative DNS server IP. It can be configured via Redfish.

\*\*\*\*\*

**Configure VLAN Support**

\*\*\*\*\*

**Lan channel 1****VLAN Support (Available when "Update BMC LAN Configuration" is set to Yes)**

Use this feature to enable the virtual LAN (VLAN) support. The options are Enabled and Disabled.

## 8.5 Event Logs

Use this menu to configure Event Logs settings.



**Figure 8-5. Event Logs Screen Tab**

**Note:** After you've made any changes in this section, please be sure to reboot the system for the changes to take effect.

### ► Change SMBIOS Event Log Settings

**Note:** Reboot the system for the changes in this section to take effect.

#### Enabling/Disabling Options

##### SMBIOS Event Log

Select Enabled to enable System Management BIOS (SMBIOS) Event Logging during system boot. The options are Disabled and **Enabled**.

## Erasing Settings

### Erase Event Log (Available when "SMBIOS Event Log" is set to Enabled)

Select No to keep the event log without erasing it upon next system bootup. Select (Yes, Next reset) to erase the event log upon next system reboot. The options are **No**, (Yes, Next reset), and (Yes, Every reset).

### When Log is Full (Available when "SMBIOS Event Log" is set to Enabled)

Select Erase Immediately to immediately erase all errors in the SMBIOS event log when the event log is full. Select Do Nothing for the system to do nothing when the SMBIOS event log is full. The options are **Do Nothing** and Erase Immediately.

## SMBIOS Event Log Standard Settings

### Log System Boot Event (Available when "SMBIOS Event Log" is set to Enabled)

Select Enabled to log system boot events. The options are Enabled and **Disabled**.

### MECI (Available when "SMBIOS Event Log" is set to Enabled)

Enter the increment value for the multiple event counter. Enter a number between 1 and 255. The default setting is **1**. (MECI is the abbreviation for Multiple Event Count Increment.)

### METW (Available when "SMBIOS Event Log" is set to Enabled)

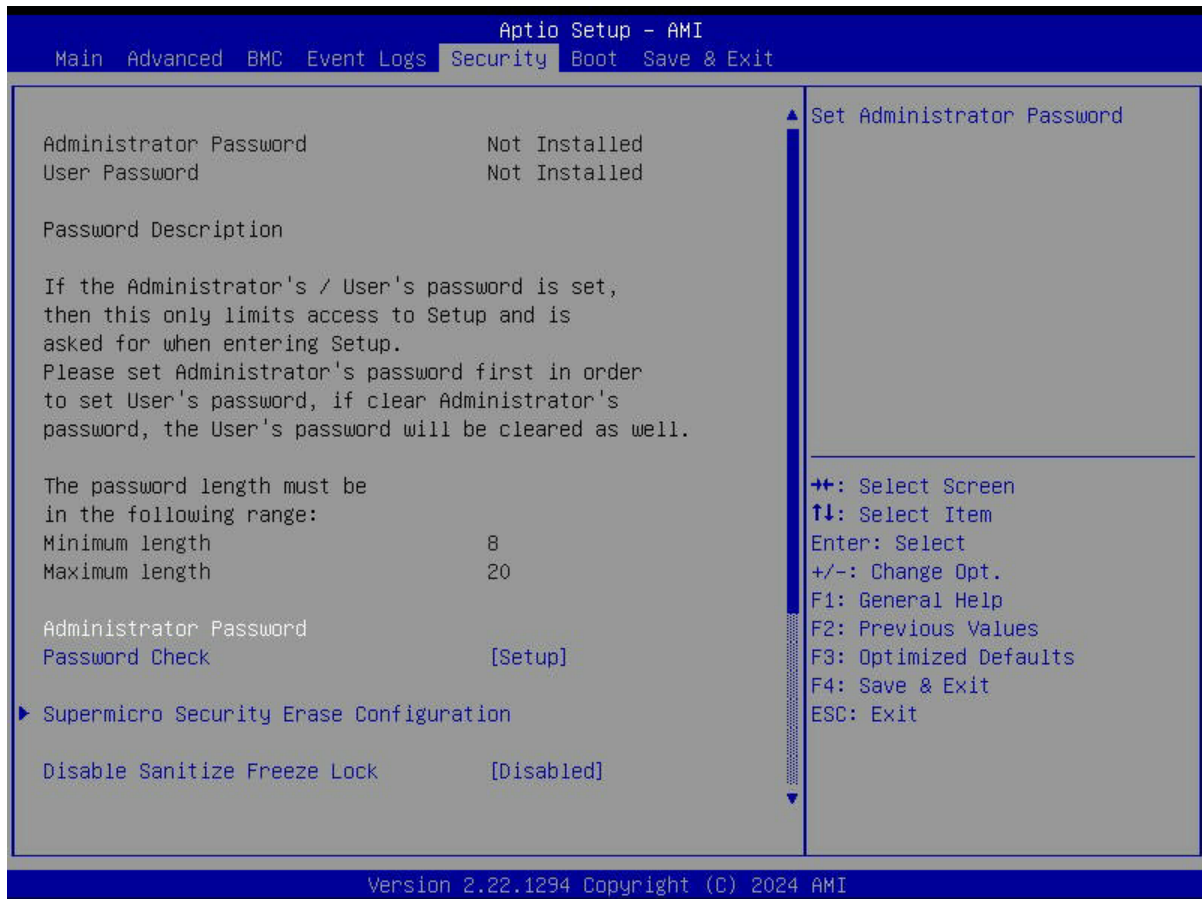
Use this feature to determine how long (in minutes) should the multiple event counter wait before generating a new event log. Enter a number between 0 and 99. The default value is **60**. (METW is the abbreviation for Multiple Event Count Time Window.)

### ► View SMBIOS Event Log

Use this feature to view the events in the system event log. Select this feature and press <Enter> to view the status of an event in the log. The following information is displayed: DATE / TIME / ERROR CODE / SEVERITY.

## 8.6 Security

This menu allows you to configure the following security settings for the system.



**Figure 8-6. Security Screen Tab**

### **Disable Block Sid and Freeze Lock (Available when your storage devices support TCG)**

Select Enabled to allow SID authentication to be performed in TCG storage devices. The options are **Disabled** and Enabled.

The following information is displayed:

- Administrator Password
- User Password
- Password Description

### **Administrator Password**

This feature indicates if an administrator password has been installed. Use this feature to set the administrator password, which is required to enter the BIOS Setup utility. The length of the password can be between three and 20 characters long.

**User Password (Available when "Administrator Password" has been set)**

This feature indicates if a user password has been installed. Use this feature to set the user password which is required to enter the BIOS Setup utility. The length of the password can be between three and 20 characters long.

**Password Check**

Select Setup for the system to check for a password upon entering the BIOS Setup utility. Select Always for the system to check for the passwords needed at bootup and upon entering the BIOS Setup utility. The options are **Setup** and Always.

**Hard Drive Security Frozen**

Select Enabled to freeze the Lock Security feature for HDD to protect key data in hard drives from being altered. The options are **Disabled** and Enabled.

**► Supermicro Security Erase Configuration**

Use this submenu to configure the Supermicro-proprietary Security Erase settings. When this submenu is selected, the following information is displayed. Please note that the order of the following information may differ based on the storage devices being detected.

- HDD Name: This feature displays the name of the storage device that is detected by the BIOS.
- HDD Serial Number: This feature displays the serial number of the storage device that is detected by the BIOS.
- Security Mode: This feature displays the security mode of the storage device that is detected by the BIOS.
- Estimated Time: This feature displays the estimate time needed to perform the selected Security Erase features.
- HDD User Pwd Status: This feature indicates if a password has been set as a storage device user password which enables configuring Supermicro Security Erase settings on the storage device by using this user password.

**Security Function**

Select Set Password to set a storage device password which enables configuring the security settings of the storage device. Select Security Erase - Password to enter a storage device user password to enable erasing the password and the contents previously stored in the storage device. Select Security Erase - Without Password to use the manufacturer default password "1111111111" as the storage device user password and enable erasing the contents of the storage device by using this default password. The options are **Disabled**, Set Password, Security Erase - Password, and Security Erase - Without Password.

## Password

### Disable Sanitize Freeze Lock

If this option is enabled, then sending Sanitize Freeze Lock command to HDDs will be skipped in next boot. The options are **Disabled** and Enabled.

### Lockdown Mode (Available when the DCMS key is activated)

Select Enabled to support the Lockdown Mode, which prevents the existing data or keys stored in the system from being altered or changed in an effort to preserve system integrity and security. The options are **Disabled** and Enabled.

### HDD Security Configuration:

#### ▶ Secure Boot

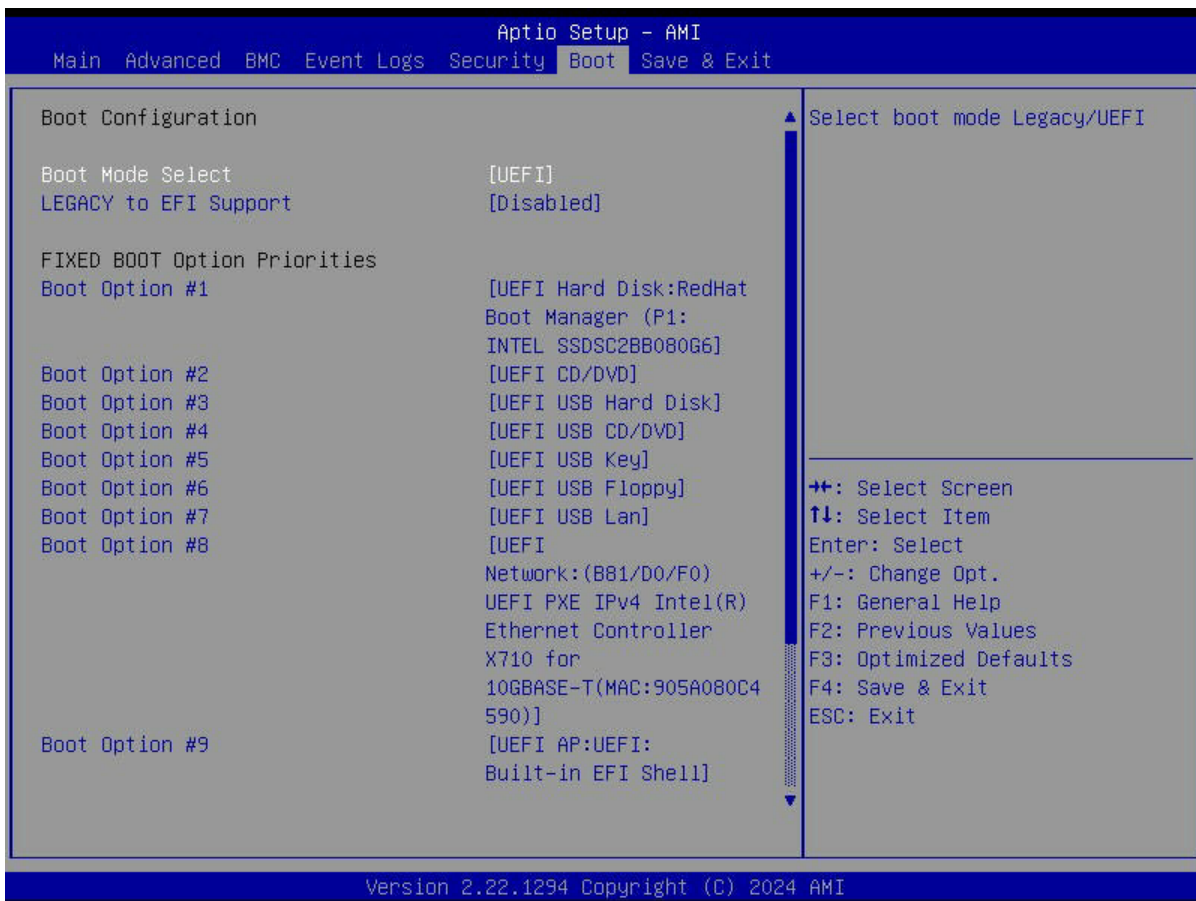
The following information is displayed:

- System Mode
- Secure Boot

**Note:** For detailed instructions on configuring Security Boot settings, refer to the Security Boot Configuration User's Guide at <https://www.supermicro.com/support/manuals>.

## 8.7 Boot

Use this menu to configure Boot settings.



**Figure 8-7. Boot Screen Tab**

### Boot Configuration

#### Boot Mode Select

Use this feature to select boot mode. The options are Legacy, **UEFI**, and Dual.

#### Legacy to EFI Support

Use this feature to enable system to boot to EFI OS after boot failed from legacy boot order. The options are **Disabled** and Enabled.

#### FIXED BOOT ORDER Priorities

Use this feature to prioritize the order of a bootable device from which the system will boot. Press <Enter> on each item sequentially to select the device.

- Boot Option #1 – Boot Option #9

### ► Add New Boot Option

Use this feature to add a new boot option to the boot priority features for system boot.

**Note:** This submenu is available when any storage device is detected by the BIOS.

#### **Add boot option**

Use this feature to specify the name for the new boot option.

#### **Path for boot option**

Use this feature to enter the path for the new boot option in the format fsx:\path\filename.efi.

#### **Boot option File Path**

Use this feature to specify the file path for the new boot option.

#### **Create**

After setting the name and the file path for the boot option, press <Enter> to create the new boot option in the boot priority list.

### ► Delete Boot Option

Use this feature to select a boot device to delete from the boot priority list.

#### **Delete Boot Option**

Use this feature to remove an EFI boot option from the boot priority list.

### ► UEFI Hard Disk Drive BBS Priorities

Use this feature to set the system boot order of detected devices.

### ► UEFI NETWORK Drive BBS Priorities

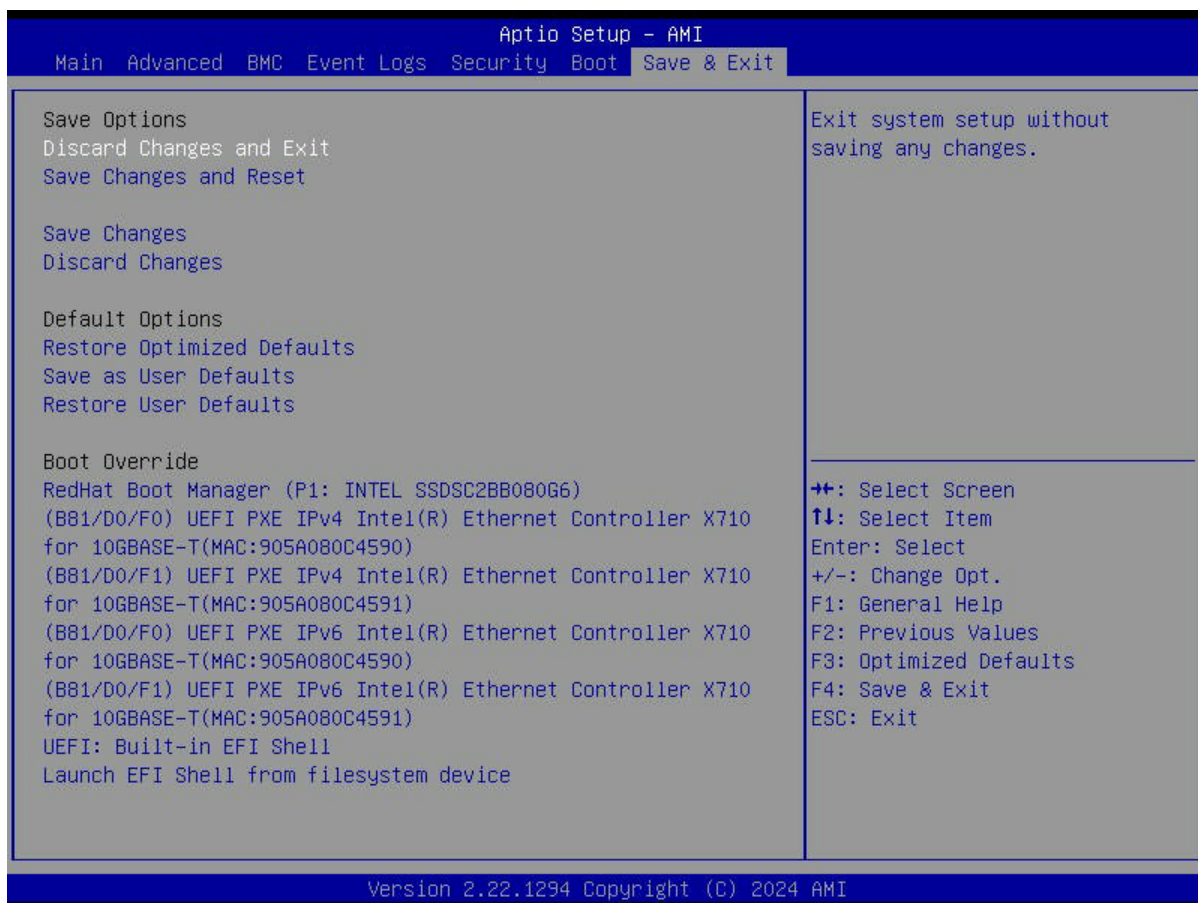
Use this feature to set the system boot order of detected devices.

### ► UEFI Application Boot Priorities

Use this feature to set the system boot order of detected devices.

## 8.8 Save & Exit

Select Save & Exit from the BIOS Setup screen to configure the settings below.



**Figure 8-8. Save & Exit Screen Tab**

### Save Options

### Discard Changes and Exit

Use this feature to exit from the BIOS Setup utility without making any permanent changes to the system configuration and reboot the computer.

### Save Changes and Reset

On completing the system configuration changes, use this feature to exit the BIOS Setup utility and reboot the computer for the new system configuration parameters to take effect.

### Save Changes

On completing the system configuration changes, use this feature to save all changes made. This will not reset (reboot) the system.

**Discard Changes**

Select this feature and press <Enter> to discard all changes made and return to the BIOS Setup utility.

**Default Options****Restore Optimized Defaults**

Select this feature and press <Enter> to load manufacturer optimized default settings, which are intended for maximum system performance but not for maximum stability.

**Note:** Reboot the system for the changes to take effect to ensure that the system has the optimized default settings.

**Save as User Defaults**

Select this feature and press <Enter> to save all changes as the default values specified to the BIOS Setup utility for future use.

**Restore User Defaults**

Select this feature and press <Enter> to retrieve user-defined default settings that have been saved previously.

**Boot Override**

**Note:** Use this section to override the Boot priorities sequence in the Boot menu, and immediately boot the system with a device specified here instead of the one specified in the boot list. This is a one-time boot override.

# Appendix A:

## BIOS Codes

For information about BIOS codes for the AS -8126GS-TNMR server, refer to the following content.

### BIOS Error POST (Beep) Codes

During the Power-On Self-Test (POST) routines, which are performed each time the system is powered on, errors may occur.

Non-fatal errors are those which, in most cases, allow the system to continue the boot up process. The error messages normally appear on the screen.

*Fatal errors* are those which will not allow the system to continue the boot up process. If a fatal error occurs, you should consult with your system manufacturer for possible repairs.

These fatal errors are usually communicated through a series of audible beeps that can be heard on an external buzzer connected to JD1. The table shown below lists some common errors and their corresponding beep codes encountered by users.

BIOS Beep (POST) Codes		
Beep Code	Error Message	Description
1 beep	Refresh	Circuits have been reset (Ready to power up)
5 short, 1 long	Memory error	No memory detected in system
5 short, 2 long	Display memory read/write error	Video adapter missing or with faulty memory
1 long continuous	System OH	System overheat condition

### Additional BIOS POST Codes

The AMI BIOS supplies additional checkpoint codes, which are documented online at <https://www.supermicro.com/support/manuals> ("AMI BIOS POST Codes User's Guide").

For information on AMI updates, refer to <https://www.ami.com/products>.

## Appendix B:

# Standardized Warning Statements for AC Systems

The following statements are industry standard warnings, provided to warn the user of situations which have the potential for bodily injury. Should you have questions or experience difficulty, contact Supermicro's Technical Support department for assistance. Only certified technicians should attempt to install or configure components.

Read this section in its entirety before installing or configuring components in the Supermicro AS -8126GS-TNMR server.

These warnings may also be found on our website at the following page:

[https://www.supermicro.com/about/policies/safety\\_information.cfm](https://www.supermicro.com/about/policies/safety_information.cfm)

## Warning Definition



**Warning!** This warning symbol means danger. You are in a situation that could cause bodily injury. Before you work on any equipment, be aware of the hazards involved with electrical circuitry and be familiar with standard practices for preventing accidents.

この警告サインは危険を意味します。

人身事故につながる可能性がありますので、いずれの機器でも動作させる前に、電気回路に含まれる危険性に注意して、標準的な事故防止策に精通して下さい。

此警告符号代表危险。

您正处于可能受到严重伤害的工作环境中。在您使用设备开始工作之前、必须充分意识到触电的危险、并熟练掌握防止事故发生的标准工作程序。请根据每项警告结尾的声明号码找到此设备的安全性警告说明的翻译文本。

此警告符號代表危險。

您正處於可能身體可能會受損傷的工作環境中。在您使用任何設備之前、請注意觸電的危險、並且要熟悉預防事故發生的標準工作程序。請依照每一注意事項後的號碼找到相關的翻譯說明內容。

#### WICHTIGE SICHERHEITSHINWEISE

Dieses Warnsymbol bedeutet Gefahr. Sie befinden sich in einer Situation, die zu Verletzungen führen kann. Machen Sie sich vor der Arbeit mit Geräten mit den Gefahren elektrischer Schaltungen und den üblichen Verfahren zur Vorbeugung vor Unfällen vertraut. Suchen Sie mit der am Ende jeder Warnung angegebenen Anweisungsnummer nach der jeweiligen Übersetzung in den übersetzten Sicherheitshinweisen, die zusammen mit diesem Gerät ausgeliefert wurden.

BEWAHREN SIE DIESE HINWEISE GUT AUF.

#### INSTRUCCIONES IMPORTANTES DE SEGURIDAD

Este símbolo de aviso indica peligro. Existe riesgo para su integridad física. Antes de manipular cualquier equipo, considere los riesgos de la corriente eléctrica y familiarícese con los procedimientos estándar de prevención de accidentes. Al final de cada advertencia encontrará el número que le ayudará a encontrar el texto traducido en el apartado de traducciones que acompaña a este dispositivo.

GUARDE ESTAS INSTRUCCIONES.

#### IMPORTANTES INFORMATIONS DE SÉCURITÉ

Ce symbole d'avertissement indique un danger. Vous vous trouvez dans une situation pouvant entraîner des blessures ou des dommages corporels. Avant de travailler sur un équipement, soyez conscient des dangers liés aux circuits électriques et familiarisez-vous avec les procédures couramment utilisées pour éviter les accidents. Pour prendre connaissance des traductions des avertissements figurant dans les consignes de sécurité traduites qui accompagnent cet appareil, référez-vous au numéro de l'instruction situé à la fin de chaque avertissement.

CONSERVEZ CES INFORMATIONS.

## תקנון הצהרות אזהרה

הצהרות הבאות הן אזהרות על פי תקני התעשייה, על מנת להזהיר את המשתמש מפני חבלה פיזית אפשרית. במידה ויש שאלות או היתקלות בבעיה כלשהי, יש ליצור קשר עם מחלקת תמיכה טכנית של סופרמיקרו. טכנאים מוסמכים בלבד רשאים להתקין או להגדיר את הרכיבים. יש לקרוא את הנספח במלואו לפני התקנת או הגדרת הרכיבים במארזי סופרמיקרו.

الكافة حالة وكي أي تتسبب ف اصابة جسده هذا الزهز ع خطر! تحذرن.

قبل أي تعول على أي هعدات، كي على علن بالوخاطر ال اجوة عي النوانز

الكهزبائ ة

وكي على درا ة بالووارسات النقاء ة لو ع وقع أي حناث

استخدم رقن الب إى الو صئص ف ها ة كل تحذرن للعئسر تزجوتها

## 안전을 위한 주의사항

이 경고 기호는 위험이 있음을 알려 줍니다. 작업자의 신체에 부상을 야기 할 수 있는 상태에 있게 됩니다. 모든 장비에 대한 작업을 수행하기 전에 전기회로와 관련된 위험요소들을 확인하시고 사전에 사고를 방지할 수 있도록 표준 작업절차를 준수해 주시기 바랍니다.

해당 번역문을 찾기 위해 각 경고의 마지막 부분에 제공된 경고문 번호를 참조하십시오

## BELANGRIJKE VEILIGHEIDSINSTRUCTIES

Dit waarschuwings symbool betekent gevaar. U verkeert in een situatie die lichamelijk letsel kan veroorzaken. Voordat u aan enige apparatuur gaat werken, dient u zich bewust te zijn van de bij een elektrische installatie betrokken risico's en dient u op de hoogte te zijn van de standaard procedures om ongelukken te voorkomen. Gebruik de nummers aan het eind van elke waarschuwing om deze te herleiden naar de desbetreffende locatie.

## BEWAAR DEZE INSTRUCTIES

## Installation Instructions



**Warning!** Read the installation instructions before connecting the system to the power source.

**警告!**

システムを電源に接続する前に、設置手順書をお読み下さい。

**警告!**

将此系统连接电源前、请先阅读安装说明。

**警告!**

將系統與電源連接前、請先閱讀安裝說明。

**Warnung!**

Vor dem Anschließen des Systems an die Stromquelle die Installationsanweisungen lesen.

**¡Advertencia!**

Lea las instrucciones de instalación antes de conectar el sistema a la red de alimentación.

**Attention!**

Avant de brancher le système sur la source d'alimentation, consulter les directives d'installation.

**אזהרה!**

יש לקרוא את הוראות התקנה לפני חיבור המערכת למקור מתח.

**تحذير!**

اقر إرشادات التركيب قبل توصيل النظام إلى مصدر للطاقة

**경고!**

시스템을 전원에 연결하기 전에 설치 안내를 읽어주십시오.

**Waarschuwing!**

Raadpleeg de installatie-instructies voordat u het systeem op de voedingsbron aansluit.

## Circuit Breaker



**Warning!** This product relies on the building's installation for short-circuit (overcurrent) protection. Ensure that the protective device is rated not greater than: 250 V, 20 A.

警告!

この製品は、短絡(過電流)保護装置がある建物での設置を前提としています。

保護装置の定格が250 V、20 Aを超えないことを確認下さい。

警告!

此产品的短路(过载电流)保护由建筑物的供电系统提供,确保短路保护设备的额定电流不大于 250 V、20 A。

警告!

此產品的短路(過載電流)保護由建築物的供電系統提供,確保短路保護設備的額定電流不大於 250 V、20 A。

Warnung!

Dieses Produkt ist darauf angewiesen, dass im Gebäude ein Kurzschluss bzw. Überstromschutz installiert ist. Stellen Sie sicher, dass der Nennwert der Schutzvorrichtung nicht mehr als: 250 V, 20 A beträgt.

¡Advertencia!

Este equipo utiliza el sistema de protección contra cortocircuitos (o sobrecorrientes) del edificio. Asegúrese de que el dispositivo de protección no sea superior a: 250 V, 20 A.

Attention!

Pour ce qui est de la protection contre les courts-circuits (surtension), ce produit dépend de l'installation électrique du local. Vérifiez que le courant nominal du dispositif de protection n'est pas supérieur à :250 V, 20 A.

אזהרה!

מוצר זה מסתמך על הגנה המותקנת במבנים למניעת קצר חשמלי. יש לוודא כי המכשיר המגן מפני הקצר החשמלי הוא לא יותר מ-20 A, 250 V.

تحذير!

هذا المنتج يعتمد على معدات الحماية من الدوائر القصيرة التي تم تثبيتها في المبنى

تأكد من أن تقييم الجهاز الوقائي ليس أكثر من : 20 A, 250 V

경고!

이 제품은 전원의 단락(과전류)방지에 대해서 전적으로 건물의 관련 설비에 의존합니다. 보호장치의 정격이 반드시 250 V(볼트), 20 A(암페어)를 초과하지 않도록 해야 합니다.

Waarschuwing!

Dit product is afhankelijk van de kortsluitbeveiliging (overspanning) van uw elektrische installatie. Controleer of het beveiligde apparaat niet groter gedimensioneerd is dan 250 V, 20 A.

## Power Disconnection Warning



**Warning!** The system must be disconnected from all sources of power and the power cord removed from the power supply module(s) before accessing the chassis interior to install or remove system components (except for hot-swap components).

警告!

システムコンポーネントの取り付けまたは取り外しのために、シャーシ内部にアクセスするには、システムの電源はすべてのソースから切断され、電源コードは電源モジュールから取り外す必要があります。

警告!

在你打开机箱并安装或移除内部器件前、必须将系统完全断电、并移除电源线。

**警告!**

在您打開機殼安裝或移除內部元件前、必須將系統完全斷電、並移除電源線。

**Warnung!**

Das System muss von allen Quellen der Energie und vom Netzanschlusskabel getrennt sein, das von den Spg.Versorgungsteilmodulen entfernt wird, bevor es auf den Chassisinnenraum zurückgreift, um Systemsbestandteile anzubringen oder zu entfernen.

**¡Advertencia!**

El sistema debe ser disconnected de todas las fuentes de energía y del cable eléctrico quitado de los módulos de fuente de alimentación antes de tener acceso el interior del chasis para instalar o para quitar componentes de sistema.

**Attention!**

Le système doit être débranché de toutes les sources de puissance ainsi que de son cordon d'alimentation secteur avant d'accéder à l'intérieur du chasis pour installer ou enlever des composants de système.

**אזהרה!**

יש לנתק את המערכת מכל מקורות החשמל ויש להסיר את כבל החשמלי מהספק לפני גישה לחלק הפנימי של המארז לצורך התקנת או הסרת רכיבים.

**تحذير!**

يجب فصل المنظمو من جميع مصادر انطاقت وإزانت سهك انكهرباء من وحدة امداد انطاقت قيم

انصلل إلى انمناطق انداخهيت نههيكم ننتبيج أو إزانت مكننات الجهاز

**경고!**

시스템에 부품들을 장착하거나 제거하기 위해서는 새시 내부에 접근하기 전에 반드시 전원 공급장치로부터 연결되어있는 모든 전원과 전기코드를 분리해주어야 합니다.

Waarschuwing!

Voordat u toegang neemt tot het binnenwerk van de behuizing voor het installeren of verwijderen van systeem onderdelen, dient u alle spanningsbronnen en alle stroomkabels aangesloten op de voeding(en) van de behuizing te verwijderen

## Equipment Installation



**Warning!** Only authorized personnel and qualified service persons should be allowed to install, replace, or service this equipment.

警告!

トレーニングを受け認定された人だけがこの装置の設置、交換、またはサービスを許可されていません。

警告!

只有经过培训且具有资格的人员才能进行此设备的安装、更换和维修。

警告!

只有經過受訓且具資格人員才可安裝、更換與維修此設備。

Warnung!

Nur autorisiertes Personal und qualifizierte Servicetechniker dürfen dieses Gerät installieren, austauschen oder warten.

¡Advertencia!

Sólo el personal autorizado y el personal de servicio calificado deben poder instalar, reemplazar o dar servicio a este equipo.

Attention!

Seul le personnel autorisé et le personnel de maintenance qualifié doivent être autorisés à installer, remplacer ou entretenir cet équipement.

אזהרה!

יש לאפשר רק צוות מורשה ואנשי שירות מוסמכים להתקין, להחליף או לטפל בציוד זה.

تحذير!

ينبغي السماح فقط للموظفين المعتمدين وأفراد الخدمة المؤهلين بتركيب هذا الجهاز أو استبداله أو صيانته.

경고!

승인된 직원과 자격을 갖춘 서비스 담당자만이 이 장비를 설치, 교체 또는 서비스할 수 있습니다.

Waarschuwing!

Alleen geautoriseerd personeel en gekwalificeerd onderhoudspersoneel mag deze apparatuur installeren, vervangen of onderhouden.

## Rack Stability Hazard



**Warning!** Stability hazard. The rack may tip over causing serious personal injury. Before extending the rack to the installation position, read the installation instructions. Do not put any load on the slide-rail mounted equipment in the installation position. Do not leave the slide-rail mounted equipment in the installation position.

警告!

安定性に危険があります。ラックが転倒して、重大な人身事故を引き起こす可能性があります。ラックを設置位置まで伸ばす前に、設置手順をお読みください。設置位置にあるスライドレールに取り付けられた機器に負荷をかけないでください。スライドレールに取り付けられた機器を設置位置に放置しないでください。

警告!

稳定性危险。机架可能会翻倒、造成严重的人身伤害。在将机架延伸到安装位置之前、请阅读安装说明。请勿在安装位置对滑轨安装的设备施加任何负载。请勿将滑轨安装的设备留在安装位置。

**警告!**

穩定性危險。機架可能會翻倒、造成嚴重的人身傷害。將機架延伸至安裝位置前、請先閱讀安裝說明。請勿在安裝位置的滑軌安裝設備上放置任何負載。請勿將滑軌安裝設備留在安裝位置。

**Warnung!**

Gefahr der Instabilität. Das Rack kann umkippen und schwere Verletzungen verursachen. Lesen Sie die Installationsanweisungen, bevor Sie das Rack in die Einbauposition ausfahren. Belasten Sie die auf den Gleitschienen montierten Geräte nicht in der Einbauposition. Lassen Sie die auf den Gleitschienen montierten Geräte nicht in der Einbauposition.

**¡Advertencia!**

Peligro de inestabilidad. El rack podría volcarse y causar lesiones personales graves. Antes de extender el rack a la posición de instalación, lea las instrucciones de instalación. No coloque ninguna carga sobre el equipo montado sobre rieles deslizantes en la posición de instalación. No deje el equipo montado sobre rieles deslizantes en la posición de instalación.

**Attention!**

Danger d'instabilité. Le rack peut basculer et provoquer des blessures corporelles graves. Avant d'étendre le rack en position d'installation, lire les instructions d'installation. Ne pas charger l'équipement monté sur rail de glissière en position d'installation. Ne pas laisser l'équipement monté sur rail de glissière en position d'installation.

**אזהרה!**

**סכנת חוסר יציבות**

**המתלה עלול להתהפך ולגרום לפציעה חמורה**

**לפני הארכת המתלה למצב ההתקנה, קרא את הוראות ההתקנה**

**אין להעמיס כל עומס על הציוד המותקן על מסילת ההחלקה במצב ההתקנה**

**אל תשאיר את הציוד המותקן על מסילת ההחלקה במצב ההתקנה**

تحذير!

خطر عدم الاستقرار.

قد ينقلب الرف مسبباً إصابات جسدية خطيرة.

قبل تمديد الرف إلى موضع التركيب، اقرأ تعليمات التركيب.

لا تضع أي حمولة على الجهاز المثبت على سكة الانزلاق في موضع التركيب.

لا تترك الجهاز المثبت على سكة الانزلاق في موضع التركيب.

경고!

안정성 위험. 랙이 넘어져 심각한 개인 부상을 입을 수 있습니다. 랙을 설치 위치까지 확장하기 전에 설치 지침을 읽으십시오. 설치 위치에서 슬라이드 레일 장착 장비에 하중을 가하지 마십시오. 슬라이드 레일 장착 장비를 설치 위치에 두지 마십시오.

Waarschuwing!

Gevaar voor instabiliteit. Het rek kan kantelen en ernstig persoonlijk letsel veroorzaken. Lees de installatie-instructies voordat u het rek uitschuift naar de installatiepositie. Plaats geen last op de op de glijrail gemonteerde apparatuur in de installatiepositie. Laat de op de glijrail gemonteerde apparatuur niet in de installatiepositie staan.

## Restricted Area



**Warning!** This unit is intended for installation in restricted access areas. A restricted access area can be accessed only through the use of a special tool, lock and key, or other means of security. (This warning does not apply to workstations).

警告!

このユニットは、アクセス制限区域に設置されることを想定しています。

アクセス制限区域は、特別なツール、鍵と錠前、その他のセキュリティの手段を用いてのみ出入りが可能です。

警告!

此部件应安装在限制进出的场所、限制进出的场所指只能通过使用特殊工具、锁和钥匙或其它安全手段进出的场所。

**警告!**

此裝置僅限安裝於進出管制區域、進出管制區域係指僅能以特殊工具、鎖頭及鑰匙或其他安全方式才能進入的區域。

**Warnung!**

Diese Einheit ist zur Installation in Bereichen mit beschränktem Zutritt vorgesehen. Der Zutritt zu derartigen Bereichen ist nur mit einem Spezialwerkzeug, Schloss und Schlüssel oder einer sonstigen Sicherheitsvorkehrung möglich.

**¡Advertencia!**

Esta unidad ha sido diseñada para instalación en áreas de acceso restringido. Sólo puede obtenerse acceso a una de estas áreas mediante la utilización de una herramienta especial, cerradura con llave u otro medio de seguridad.

**Attention!**

Cet appareil doit être installée dans des zones d'accès réservés. L'accès à une zone d'accès réservé n'est possible qu'en utilisant un outil spécial, un mécanisme de verrouillage et une clé, ou tout autre moyen de sécurité.

**אזהרה!**

יש להתקין את היחידה באזורים שיש בהם הגבלת גישה. הגישה ניתנת בעזרת 'כלי אבטחה בלבד (מפתח, מנעול וכד.).

**تحذير!**

اتخصيص هذه النحذة نترك بُها ف مناطق محظورة تم .  
مكن انصلل إن منطقت محظورة فقط من خلال استخداو أداة خاصت،  
أو أوس هُت أخري نلالأ مما قفم ومفتاح

**경고!**

이 장치는 접근이 제한된 구역에 설치하도록 되어있습니다. 특수도구, 잠금 장치 및 키, 또는 기타 보안 수단을 통해서만 접근 제한 구역에 들어갈 수 있습니다.

Waarschuwing!

Dit apparaat is bedoeld voor installatie in gebieden met een beperkte toegang. Toegang tot dergelijke gebieden kunnen alleen verkregen worden door gebruik te maken van speciaal gereedschap, slot en sleutel of andere veiligheidsmaatregelen.

## Battery Handling



**Warning!** There is risk of explosion if the battery is replaced by an incorrect type. Replace the battery only with the same or equivalent type recommended by the manufacturer. Dispose of used batteries according to the manufacturer's instructions.

警告!

バッテリーを間違ったタイプに交換すると爆発の危険があります。交換する電池はメーカーが推奨する型、または同等のものを使用下さい。使用済電池は製造元の指示に従って処分して下さい。

警告!

如果更换的电池类型不正确。请只使用同类电池或制造商推荐的功能相当的电池更换原有电池。请按制造商的说明处理废旧电池。

警告!

如果更換的電池類型不正確。請使用製造商建議之相同或功能相當的電池更換原有電池。請按照製造商的說明指示處理廢棄舊電池。

**WARNUNG!**

Es besteht Explosionsgefahr, wenn die Batterie durch einen falschen Typ ersetzt wird. Ersetzen Sie die Batterie nur durch den gleichen oder vom Hersteller empfohlenen Batterietyp. Entsorgen Sie die benutzten Batterien nach den Anweisungen des Herstellers.

**¡ADVERTENCIA!**

Existe riesgo de explosión si la batería se reemplaza por un tipo incorrecto. Reemplazar la batería exclusivamente con el mismo tipo o el equivalente recomendado por el fabricante. Desechar las baterías gastadas según las instrucciones del fabricante.

**ATTENTION!**

Il existe un risque d'explosion si la batterie est remplacée par un type incorrect. Ne la remplacer que par une pile de type semblable ou équivalent, recommandée par le fabricant. Jeter les piles usagées conformément aux instructions du fabricant.

אזהרה!

קיימת סכנת פיצוץ אם הסוללה תוחלף בסוג שגוי. יש להחליף

את הסוללה בסוג התואם מחברת יצרן מומלצת.

סילוק הסוללות המשומשות יש לבצע לפי הוראות היצרן.

تحذير!

هناك خطر الانفجار إذا تم استبدال البطارية بنوع غير صحيح.

استبدال البطارية

فقط بنفس النوع أو ما يعادلها مما أوصت به الشركة المصنعة

جخلص من البطاريات المسحومة وفقا لعمليات الشركة الصانعة

**경고!**

배터리를 잘못된 종류로 교체하면 폭발의 위험이 있습니다. 기존 배터리와 동일하거나 제조사에서 권장하는 동등한 종류의 배터리로만 교체해야 합니다. 제조사의 안내에 따라 사용된 배터리를 처리하여 주십시오.

**WAARSCHUWING!**

Er bestaat explosiegevaar als de batterij wordt vervangen door een verkeerd type. Vervang de batterij slechts met hetzelfde of een equivalent type die door de fabrikant aanbevolen wordt. Gebruikte batterijen dienen overeenkomstig fabrieksvoorschriften afgevoerd te worden.

**Redundant Power Supplies**

**Warning!** This unit might have more than one power supply connection. All connections must be removed to de-energize the unit.

**警告!**

このユニットは複数の電源装置が接続されている場合があります。

ユニットの電源を切るためには、すべての接続を取り外さなければなりません。

**警告!**

此部件连接的电源可能不止一个、必须将所有电源断开才能停止给该部件供电。

**警告!**

此装置连接的电源可能不只一个、必须切断所有电源才能停止对该装置的供电。

**Warnung!**

Dieses Gerät kann mehr als eine Stromzufuhr haben. Um sicherzustellen, dass der Einheit kein Strom zugeführt wird, müssen alle Verbindungen entfernt werden.

**¡Advertencia!**

Puede que esta unidad tenga más de una conexión para fuentes de alimentación. Para cortar por completo el suministro de energía, deben desconectarse todas las conexiones.

**Attention!**

Cette unité peut avoir plus d'une connexion d'alimentation. Pour supprimer toute tension et tout courant électrique de l'unité, toutes les connexions d'alimentation doivent être débranchées.

**אזהרה!**

ליחידה יש יותר מחיבור אחד של ספק. יש להסיר את כל החיבורים על מנת לרוקן את היחידה.

**تحذير!**

قد يكون لهذا الجهاز عدة اتصالات بوحدات امداد الطاقة .  
يجب إزالة كافة الاتصالات لعزل الوحدة عن الكهرباء

**경고!**

이 장치에는 한 개 이상의 전원 공급 단자가 연결되어 있을 수 있습니다. 이 장치에 전원을 차단하기 위해서는 모든 연결 단자를 제거해야만 합니다.

**Waarschuwing!**

Deze eenheid kan meer dan één stroomtoevoeraansluiting bevatten. Alle aansluitingen dienen verwijderd te worden om het apparaat stroomloos te maken.

**Backplane Voltage**

**Warning!** Hazardous voltage or energy is present on the backplane when the system is operating. Use caution when servicing.

**警告!**

システムの稼働中は危険な電圧または電力が、バックプレーン上にかかっています。

修理する際には注意ください。

**警告!**

当系统正在进行时、背板上有很危险的电压或能量、进行维修时务必小心。

**警告!**

當系統正在進行時、背板上有很危險的電壓或能量、進行維修時務必小心。

**Warnung!**

Wenn das System in Betrieb ist, treten auf der Rückwandplatine gefährliche Spannungen oder Energien auf. Vorsicht bei der Wartung.

**¡Advertencia!**

Cuando el sistema está en funcionamiento, el voltaje del plano trasero es peligroso. Tenga cuidado cuando lo revise.

Attention!

Lorsque le système est en fonctionnement, des tensions électriques circulent sur le fond de panier. Prendre des précautions lors de la maintenance.

אזהרה!

קיימת סכנת מתח בפנל האחורי בזמן תפעול המערכת. יש להיזהר במהלך העבודה.

تحذير!

هناك خطر من التيار الكهربائي أو الطاقة المخزنة على اللوحة عندما يكون النظام يعمل كه حذرا عند خدمة هذا الجهاز

경고!

시스템이 동작 중일 때 후면판 (Backplane)에는 위험한 전압이나 에너지가 발생 합니다. 서비스 작업 시 주의하십시오.

Waarschuwing!

Een gevaarlijke spanning of energie is aanwezig op de backplane wanneer het systeem in gebruik is. Voorzichtigheid is geboden tijdens het onderhoud.

## Comply with Local and National Electrical Codes



**Warning!** Installation of the equipment must comply with local and national electrical codes.

警告!

機器の取り付けはその地方および国の電気規格に準拠する必要があります。

警告!

设备安装必须符合本地与本国电气法规。

警告!

設備安裝必須符合本地與本國電氣法規。

Warnung!

Die Installation der Geräte muss den Sicherheitsstandards entsprechen.

¡Advertencia!

La instalacion del equipo debe cumplir con las normas de electricidad locales y nacionales.

Attention!

L'équipement doit être installé conformément aux normes électriques nationales et locales.

אזהרה!

התקנת הציוד חייבת להיות תואמת לחוקי החשמל המקומיים והארציים.

تحذير!

تركيب المعدات الكهربائية يجب أن يمتثل للقوانين المحلية والنظمية المتعلقة

بالكهرباء

경고!

현 지역 및 국가의 전기 규정에 따라 장비를 설치해야 합니다.

Waarschuwing!

Bij installatie van de apparatuur moet worden voldaan aan de lokale en nationale elektriciteitsvoorschriften.

## Product Disposal



**Warning!** Ultimate disposal of this product should be handled according to all national laws and regulations.

**警告!**

この製品を廃棄処分する場合、国の関係する全ての法律・条例に従い処理する必要があります。

**警告!**

本产品的废弃处理应根据所有国家的法律和规章进行。

**警告!**

本產品的廢棄處理應根據所有國家的法律和規章進行。

**Warnung!**

Die Entsorgung dieses Produkts sollte gemäß allen Bestimmungen und Gesetzen des Landes erfolgen.

**¡Advertencia!**

Al deshacerse por completo de este producto debe seguir todas las leyes y reglamentos nacionales.

**Attention!**

La mise au rebut ou le recyclage de ce produit sont généralement soumis à des lois et/ou directives de respect de l'environnement. Renseignez-vous auprès de l'organisme compétent.

**אזהרה!**

סילוק סופי של מוצר זה חייב להיות בהתאם להנחיות וחוקי המדינה.

**تحذير!**

عند التخلص النهائي من هذا المنتج ينبغي التعامل معه وفقا لجميع القوانين والأنظمة الوطنية

**경고!**

이 제품은 해당 국가의 관련 법규 및 규정에 따라 폐기되어야 합니다.

Waarschuwing!

De uiteindelijke verwijdering van dit product dient te geschieden in overeenstemming met alle nationale wetten en reglementen.

## Fan Warning



**Warning!** Hazardous moving parts. Keep away from moving fan blades. The fans might still be turning when you remove the fan assembly from the chassis. Keep fingers, screwdrivers, and other objects away from the openings in the fan assembly's housing



警告!

警告! 回転部品に注意。運転中は回転部(羽根)に触れないでください。シャーシから冷却ファン装置を取り外した際、ファンがまだ回転している可能性があります。ファンの開口部に、指、ドライバー、およびその他のものを近づけないで下さい。

警告!

警告! 危险的可移动性零件。请务必与转动的风扇叶片保持距离。当您从机架移除风扇装置, 风扇可能仍在转动。小心不要将手指、螺丝起子和其他物品太靠近风扇

警告!

危险的可移动性零件。请务必与转动的风扇叶片保持距离。当您从机架移除风扇装置, 风扇可能仍在转动。小心不要将手指、螺丝起子和其他物品太靠近风扇。

Warnung!

Gefährlich Bewegende Teile. Von den bewegenden Lüfterblätter fern halten. Die Lüfter drehen sich u. U. noch, wenn die Lüfterbaugruppe aus dem Chassis genommen wird. Halten Sie Finger, Schraubendreher und andere Gegenstände von den Öffnungen des Lüftergehäuses entfernt.

**¡Advertencia!**

Riesgo de piezas móviles. Mantener alejado de las aspas del ventilador. Los ventiladores podran dar vuelta cuando usted quite el montaje del ventilador del chasis. Mantenga los dedos, los destornilladores y todos los objetos lejos de las aberturas del ventilador.

**Attention!**

Pieces mobiles dangereuses. Se tenir a l'écart des lames du ventilateur Il est possible que les ventilateurs soient toujours en rotation lorsque vous retirerez le bloc ventilateur du châssis. Prenez garde à ce que doigts, tournevis et autres objets soient éloignés du logement du bloc ventilateur.

**אזהרה!**

חלקים נעים מסוכנים. התרחק מלהבי המאוורר בפעולהכאשר מסירים את חלקי המאוורר מהמארז, יתכן והמאווררים עדיין עובדים. יש להרחיק למרחק בטוח את האצבעות וכלי עבודה שונים מהפתחים בתוך המאוורר

**تحذير!**

تحذير! أجزاء متحركة خطيرة. ابتعد عن شفرات المروحة المتحركة. من الممكن أن المراوح لا تزال تدور عند إزالة كتلة المروحة من الهيكل يجب إبقاء الأصابع ومفكات البراغي وغيرها من الأشياء بعيدا عن الفتحات في كتلة المروحة.

**경고!**

움직이는 위험한 부품. 회전하는 송풍 날개에 접근하지 마세요. 새시로부터 팬 조립품을 제거할 때 팬은 여전히 회전하고 있을 수 있습니다. 팬 조립품 외관의 열려있는 부분들로부터 손가락 및 스크류드라이버, 다른 물체들이 가까이 하지 않도록 배치해 주십시오.

**Waarschuwing!**

Gevaarlijk bewegende onderdelen. Houd voldoende afstand tot de bewegende ventilatorbladen. Het is mogelijk dat de ventilator nog draait tijdens het verwijderen van het ventilatorsamenstel uit het chassis. Houd uw vingers, schroevendraaiers en eventuele andere voorwerpen uit de buurt van de openingen in de ventilatorbehuizing.

## Power Cable and AC Adapter



**Warning!** When installing the product, use the provided or designated connection cables, power cables and AC adapters. Using any other cables and adapters could cause a malfunction or a fire. Electrical Appliance and Material Safety Law prohibits the use of UL or CSA -certified cables (that have UL/CSA shown on the cord) for any other electrical devices than products designated by Supermicro only.

### 警告!

製品を設置する場合、提供または指定および購入された接続ケーブル、電源コードとACアダプターを該当する地域の条例や安全基準に適合するコードサイズやプラグと共に使用下さい。他のケーブルやアダプターを使用すると故障や火災の原因になることがあります。電気用品安全法は、ULまたはCSA認定のケーブル(UL/CSAマークがコードに表記)をSupermicroが指定する製品以外に使用することを禁止しています。

### 警告!

安装此产品时、请使用本身提供的或指定的或采购的连接线、电源线和电源适配器、包含遵照当地法规和安全要求的合规的电源线尺寸和插头。使用其它线材或适配器可能会引起故障或火灾。除了Supermicro所指定的产品、电气用品和材料安全法律规定禁止使用未经UL或CSA认证的线材。(线材上会显示UL/CSA符号)。

### 警告!

安装此产品时、请使用本身提供的或指定的或采购的连接线、电源线 and 电源适配器、包含遵照当地法规和安全要求的合规的电源线尺寸和插头。使用其它线材或适配器可能会引起故障或火灾。除了Supermicro所指定的产品、电气用品和材料安全法律规定禁止使用未经UL或CSA认证的线材。(线材上会显示UL/CSA符号)。

### Warnung!

Nutzen Sie beim Installieren des Produkts ausschließlich die von uns zur Verfügung gestellten Verbindungskabeln, Stromkabeln und/oder Adapter, die Ihre örtlichen Sicherheitsstandards einhalten. Der Gebrauch von anderen Kabeln und Adapter können Fehlfunktionen oder Feuer verursachen. Die Richtlinien untersagen das Nutzen von UL oder CAS zertifizierten Kabeln (mit UL/CSA gekennzeichnet), an Geräten oder Produkten die nicht mit Supermicro gekennzeichnet sind.

### ¡Advertencia!

Cuando instale el producto, utilice la conexión provista o designada o procure cables, Cables de alimentación y adaptadores de CA que cumplan con los códigos locales y los requisitos de seguridad, incluyendo el tamaño adecuado del cable y el enchufe. El uso de otros cables y adaptadores podría causar un mal funcionamiento o un incendio. La Ley de Seguridad de Aparatos Eléctricos y de Materiales prohíbe El uso de cables certificados por UL o CSA (que tienen el certificado UL / CSA en el código) para cualquier otros dispositivos eléctricos que los productos designados únicamente por Supermicro.

### Attention!

Lors de l'installation du produit, utilisez les câbles de connexion fournis ou désigné ou achetez des câbles, câbles de puissance et adaptateurs respectant les normes locales et les conditions de sécurité y compris les tailles de câbles et les prises électriques appropriées. L'utilisation d'autres câbles et adaptateurs peut provoquer un dysfonctionnement ou un incendie. Appareils électroménagers et la Loi sur la Sécurité Matériel interdit l'utilisation de câbles certifiés- UL ou CSA (qui ont UL ou CSA indiqué sur le code) pour tous les autres appareils électriques sauf les produits désignés par Supermicro seulement.

### אזהרה!

ררוצל ומאתוה וא ושכרנ רשא AC סימאתמו סיקפס, סילבכב שמתשהל שי, רצומה תא סיניקתמ רשאכ לכב שומיש . עקתהו לבכה לש הנוכנ הדימ ללוכ, תוימוקמה תוחיטבה תושירדל ומאתוה רשאו, הנקתהה למשחה ירישכמב שומישה יקוחל סאתהב. ילמשח רצק וא הלקתל סורגל לולע, רחא גוסמ סאתמ וא לבכ לש דוק סהילע עיפומ רשאכ) -CSA - ב וא UL - ב סיכסומה סילבכב שמתשהל רוסיא סייק, תוחיטבה יקוחו דבלב Supermicro י"ע סאתוה רשא רצומב קר אלא, רחא ילמשח רצומ לכ רובע (UL/CSA).

### تحذير!

تالباکلا ءارشب مق وأ ءددمحلا وأ ءرفوتما تالیصوتلا مادختساب مق، جتتملا بیکرت دنع کلذ یف امب ءیلحملا ءمالسلا تابلطتمو نیناوقب ماز تلالا عم ددرتلا رایئلا تالوحمو ءینابر هکلا قیرح وأ لظع یف ببستی دق برخأ تالوحمو تالباک یا مادختسا . میلسلا سباقلاو لصوملا مجج .  
CSA وأ UL لبق نم ءدمتعملا تالباکلا مادختسا تاد عملاو ءینابر هکلا ءز هجأل ءمالسلا نوناق رظحي  
Supermicro لبق نم ءددمحلاو ءینعملا تاجتتملا ریغ برخأ تادعم یا عم (UL/CSA) ءمالع لمحت یتلاو.

### 경고!

제품을 설치할 때 현지 코드 및 적절한 굵기의 코드와 플러그를 포함한 안전 요구 사항을 준수하여 제공되거나 지정된 연결 혹은 구매 케이블, 전원 케이블 및 AC 어댑터를 사용하십시오.

다른 케이블이나 어댑터를 사용하면 오작동이나 화재가 발생할 수 있습니다. 전기 용품 안전법은 UL 또는 CSA 인증 케이블 (코드에 UL / CSA가 표시된 케이블)을 Supermicro 가 지정한 제품 이외의 전기 장치에 사용하는 것을 금지합니다.

### Waarschuwing!

Bij het aansluiten van het Product uitsluitend gebruik maken van de geleverde Kabels of een andere geschikte aan te schaffen Aansluitmethode, deze moet altijd voldoen aan de lokale voorschriften en veiligheidsnormen, inclusief de juiste kabeldikte en stekker. Het gebruik van niet geschikte Kabels en/of Adapters kan een storing of brand veroorzaken. Wetgeving voor Elektrische apparatuur en Materiaalveiligheid verbied het gebruik van UL of CSA - gecertificeerde Kabels (met UL/CSA in de code) voor elke andere toepassing dan de door Supermicro hiervoor beoogde Producten.

# Appendix C:

## System Specifications

### Processors

Dual AMD EPYC™ 9004/9005-series processors in SP5 sockets with a Thermal Design Power (TDP) up to 500 W

**Note:** The TDP depends on thermal validation and system configuration. Contact a Supermicro representative for details.

### Chipset

System on Chip

### BIOS

AMI 64 MB SPI Flash EEPROM

### Memory

Total 24 DIMM slots that support up to 6 TB of ECC DDR RDIMM memory with speeds of up to 4800 MT/s (9004-series CPUs), or speeds of up to 6400 MT/s ECC DDR5 RDIMM (9005-series CPUs)

### Storage Drives

Two front hot-swap 2.5" SATA drive bays

Eight front hot-swap 2.5" NVMe drive bays

### PCI Expansion Slots

Eight PCIe 5.0 x16 LP slots

Two PCIe 5.0 x16 FHHL slots

Two M.2 PCIe 3.0 x4 NVMe slots [M-key 22110 (default)]

### Input/Output

One RJ45 1 GbE dedicated BMC LAN port

Two USB 3.0 Type-A ports (rear)

One VGA port

One TPM header

### Motherboard

H14DSG-OD

### Chassis

CSE-GP805TS; 8U rackmount; (HxWxD) 13.8" x 17.6" x 33.2" (356 x 447 x 843 mm)

### System Cooling

10 heavy-duty fans with optimal fan speed control

One air shroud for each drawer

**Power Supply**

Six 5250 W (3+3) Titanium Level Efficiency power supplies

**Note:** Power supply full redundancy based on configuration and application load

**Operating Environment**

Operating Temperature: 10°C to 35°C (50°F to 95°F)

Non-operating Temperature: -40°C to 60°C (-40°F to 140°F)

Operating Relative Humidity: 8% to 90% (non-condensing)

Non-operating Relative Humidity: 5% to 95% (non-condensing)

**Regulatory Compliance**

FCC, ICES, CE, UKCA, VCCI, RCM, NRTL, CB

**Certified Safety Models**

GP805-H52H14

**Perchlorate Warning**

California Best Management Practices Regulations for Perchlorate Materials: This Perchlorate warning applies only to products containing CR (Manganese Dioxide) Lithium coin cells. Perchlorate Material-special handling may apply. See

<https://www.dtsc.ca.gov/hazardouswaste/perchlorate>

**Applied Directives, Standards****Directives:**

EMC/EMI: 2014/30/EU (EMC Directive)

Electromagnetic Compatibility Regulations 2016

FCC Part 15 Subpart B

ICES-003

VCCI-CISPR 32

AS/NZS CISPR 32

CISPR 32

CISPR 35

BS/EN 55032

BS/EN 55035

BS/EN 61000-3-2

BS/EN 61000-3-3

BS/EN 61000-4-2

BS/EN 61000-4-3

BS/EN 61000-4-4

BS/EN 61000-4-5

BS/EN 61000-4-6

BS/EN 61000-4-8

BS/EN 61000-4-11

**Environment:**

Delegated Directive (EU) 2015/863

Directive 2011/65/EU (RoHS)

REACH Regulation EC 1907/2006

WEEE Directive 2012/19/EU

California Proposition 65

**Product Safety:**

2014/35/EU (LVD Directive)

UL/CSA 62368-1 (USA and Canada)

Electrical Equipment (Safety) Regulations 2016

IEC/BS/EN 62368-1

この装置は、クラスA機器です。この装置を住宅環境で使用すると電波妨害を引き起こすことがあります。この場合には使用者が適切な対策を講ずるよう要求されることがあります。

**VCCI - A**