

Storage SuperServer SSG-229J-5BU24JBF

2U front-loading all-flash Modular Bluefield-3 based SDS Storage enclosure with 24 hot-swap 2.5" NVMe bays and PCIe 5.0 with GPU/DPU support for LLM applications



Key Applications

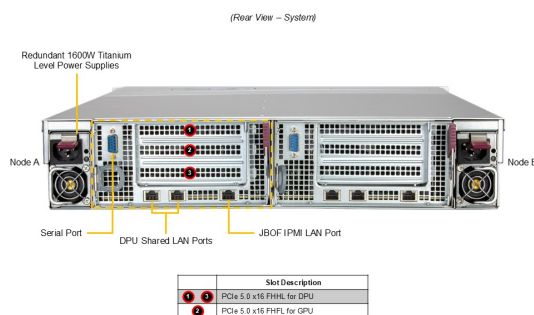
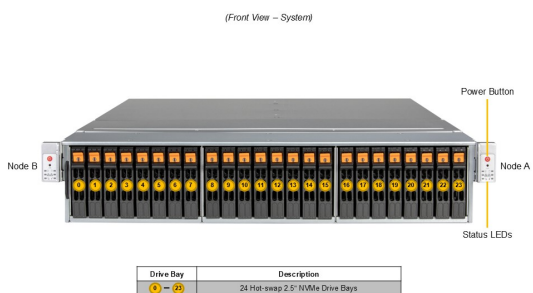
Big Data Analytics and AI, HPC and Big Data, Data Center Enterprise Applications, Artificial Intelligence, Low Power, Cost effective, NVMe Over Fabrics Solution, Large Language Model (LLM),

Key Features

- Two **hot-pluggable** systems (nodes) in a 2U form factor. Each node supports the following;;
- IPMI management with dedicated LAN
BF3 management with shared LAN;
- Up to 3 PCIe 5.0 x16 FHFL slots per node
Up to 2 DPU and 1 GPU per node;
- Up to 24 front hot-swap 2.5" NVMe drive bays;
- 2 Redundant 1600W Titanium Level power supplies;



Form Factor	2U Rackmount Enclosure: 449.4 x 88 x 762mm (17.7" x 3.47" x 30") Package: 670 x 245 x 1100mm (26.37" x 9.64" x 43.3")
Drive Bays Configuration	Default: Total 24 bays <ul style="list-style-type: none"> • 24 front hot-swap 2.5" NVMe drive bays M.2: 2 M.2 PCIe 5.0 x4 NVMe slots (M-key 2280/22110)
Expansion Slots	Default <ul style="list-style-type: none"> • 3 PCIe 5.0 x16 FHFL slots
On-Board Devices	2 QSFP+ 200GbE with NVIDIA® BlueField®-3 1 RJ45 1GbE with Realtek



System Cooling	Fans: Up to 6 Heavy Duty 60mm Fan(s)
Power Supply	2x 1600W Redundant Titanium Level (96%) power supplies
Management	SuperCloud Composer®; Supermicro Server Manager (SSM); Supermicro Update Manager (SUM); Supermicro SuperDoctor® 5 (SD5); Super Diagnostics Offline (SDO); Supermicro Thin-Agent Service (TAS); SuperServer Automation Assistant (SAA) New!
Dimensions and Weight	Weight: Gross Weight: 94.8 lbs (43 kg) Net Weight: 71.88 lbs (32.6 kg) Available Color: Silver
Operating Environment	RoHS Compliant Operating Temperature: 10°C to 35°C (50°F to 95°F) Non-operating Temperature: -40°C to 60°C (-40°F to 140°F) Operating Relative Humidity: 8% to 90% (Non-Condensing) Non-operating Relative Humidity: 5% to 95% (Non-Condensing)
Motherboard	Super BPN-NVME5-229PL-J
Chassis	CSE-229TS-R000RCNDP