

# MP SuperServer SYS-241H-TNRTTP

2U 4-socket system with 64 DIMMs and 8 NVMe/SAS/SATA drive bays



More details here

## Key Applications

Business Intelligence, ERP, CRM, Scientific Virtualization, In-Memory Database, HCl, SAP HANA, Artificial Intelligence,

## Key Features

- Quad Socket E (LGA-4677) 4th Generation Intel® Xeon® Scalable processors;
- 64 DIMM Slots; Up to 16TB DDR5-4800MHz ECC RDIMM/RDIMM-3DS;
- Optional PCIe configurations up to 12 PCIe slots with support for two double-width GPU/Accelerator cards;
- Flexible networking options with 2 AIOM networking slot (OCP NIC 3.0 compatible);
- 8x 2.5" Hot-swap NVMe/SAS3/SATA3 drive bays (Default with 8 SAS3/SATA3 drive bays); 2x internal M.2 NVMe/SATA; Optional RAID support via storage add-on card;
- 5 heavy duty fans w/ optimal fan speed control;



|                                 |   |
|---------------------------------|---|
| <b>Form Factor</b>              | 2U Rackmount<br>Enclosure: 848.36 x 87.9 x 812.9mm (17.3" x 3.5" x 33.4")<br>Package: 672 x 250 x 1100mm (26.5" x 9.75" x 43.5")  |
| <b>Processor</b>                | Quad Socket E (LGA-4677)<br>4th Gen Intel® Xeon® Scalable processors<br>Up to 60C/120T; Up to 112.5MB Cache per CPU   |
| <b>GPU</b>                      | Max GPU Count: Up to 2 double-width GPUs<br>Supported GPU: NVIDIA PCIe: H100, A100, L40, L40S, RTX A4000, RTX A6000<br>CPU-GPU Interconnect: PCIe 5.0 x16 CPU-to-GPU Interconnect<br>GPU-GPU Interconnect: PCIe   |
| <b>System Memory</b>            | Slot Count: 64 DIMM slots<br>Max Memory (2DPC): Up to 8TB ECC DDR5 RDIMM  |
| <b>Drive Bays Configuration</b> | Default: Total 8 bays <ul style="list-style-type: none"> <li>• 8 front hot-swap 2.5" SATA drive bays</li> </ul> Option A: Total 8 bays <ul style="list-style-type: none"> <li>• 8 front hot-swap 2.5" PCIe 5.0 NVMe*/SAS*/SATA* drive bays</li> </ul> (*NVMe/SAS/SATA support may require additional storage controller and/or cables, please see the optional parts list for details)<br>M.2: 2 M.2 PCIe 3.0 x4 NVMe/SATA slots (M-key 2280/22110)   |
| <b>Expansion Slots</b>          | Default <ul style="list-style-type: none"> <li>• 3 PCIe 5.0 x8 (in x16) FHHL slots</li> <li>• 3 PCIe 5.0 x16 FHHL slots</li> <li>• 1 PCIe 5.0 x8 AIOM slot (OCP 3.0 compatible)</li> <li>• 1 PCIe 5.0 x16 AIOM slot (OCP 3.0 compatible)</li> </ul> Option A <ul style="list-style-type: none"> <li>• 2 PCIe 5.0 x16 FHFL double-width slots</li> <li>• 2 PCIe 5.0 x16 FHHL slots</li> <li>• 1 PCIe 5.0 x8 AIOM slot (OCP 3.0 compatible)</li> <li>• 1 PCIe 5.0 x16 AIOM slot (OCP 3.0 compatible)</li> </ul> Option B* <ul style="list-style-type: none"> <li>• 3 PCIe 5.0 x8 (in x16) FHHL slots</li> <li>• 3 PCIe 5.0 x16 FHHL slots</li> <li>• 2 PCIe 4.0 x8 (in x16) LP slots</li> <li>• 2 PCIe 4.0 x16 LP slots</li> <li>• 1 PCIe 5.0 x8 AIOM slot (OCP 3.0 compatible)</li> <li>• 1 PCIe 5.0 x16 AIOM slot (OCP 3.0 compatible)</li> </ul> Option C* <ul style="list-style-type: none"> <li>• 2 PCIe 5.0 x16 FHFL double-width slots</li> <li>• 2 PCIe 5.0 x16 FHHL slots</li> </ul> |

- 2 PCIe 4.0 x8 (in x16) LP slots
- 2 PCIe 4.0 x16 LP slots
- 1 PCIe 5.0 x8 AIOM slot (OCP 3.0 compatible)
- 1 PCIe 5.0 x16 AIOM slot (OCP 3.0 compatible)

---

**On-Board Devices**

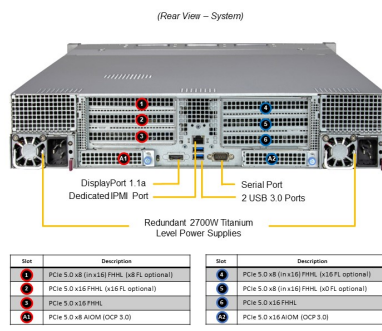
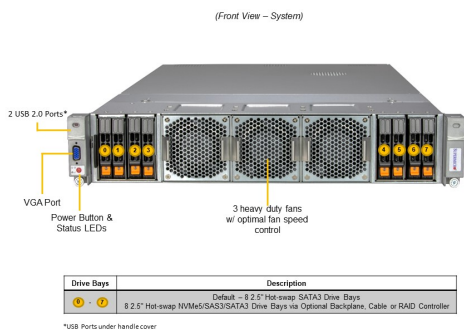
Via AIOM

---

**Input / Output**

LAN: 1 RJ45 1 GbE Dedicated BMC LAN port  
USB: 2 USB 3.0 ports(rear)  
2 USB 2.0 ports(front)  
Video: 1 VGA port  
1 DisplayPort port  
Serial: 1 COM port(Rear)

---



|                       |   |
|-----------------------|---|
| System Cooling        | Fans: Up to 3 Heavy duty counter-rotating 8cm Fan(s)<br>Up to 2 Internal Heavy duty counter-rotating 6cm Fan(s)<br>Air Shroud: 4 Air Shrouds  |
| Power Supply          | 2x 2700W Redundant (1 + 1) Titanium Level (96%) power supplies  |
| System BIOS           | BIOS Type: AMI 32MB SPI Flash EEPROM  |
| Management            | SuperCloud Composer®; Supermicro Server Manager (SSM); Supermicro Update Manager (SUM); Supermicro SuperDoctor® 5 (SD5); Super Diagnostics Offline (SDO); Supermicro Thin-Agent Service (TAS); SuperServer Automation Assistant (SAA) New!  |
| PC Health Monitoring  | CPU: 4+1 Phase-switching voltage regulator<br>Monitors for CPU Cores, Chipset Voltages, Memory<br>FAN: Fans with tachometer monitoring<br>Pulse Width Modulated (PWM) fan connectors<br>Status monitor for speed control<br>Temperature: Monitoring for CPU and chassis environment<br>Thermal Control for fan connectors |
| Dimensions and Weight | Weight: Gross Weight: 71.5 lbs (32.43 kg)<br>Net Weight: 45.5 lbs (20.64 kg)<br>Available Color: Black  |
| Operating Environment | RoHS Compliant<br>Operating Temperature: 10°C to 35°C (50°F to 95°F)<br>Non-operating Temperature: -40°C to 60°C (-40°F to 140°F)<br>Operating Relative Humidity: 8% to 90% (Non-Condensing)<br>Non-operating Relative Humidity: 5% to 95% (Non-Condensing)   |
| Motherboard           | <a href="#">Super X13QEH+</a>   |
| Chassis               | CSE-218H2TS-R2K7AWP   |